



US00D798433S

(12) **United States Design Patent** (10) **Patent No.:** **US D798,433 S**
Badarello et al. (45) **Date of Patent:** **** Sep. 26, 2017**

(54) **CEILING FAN BLADE**
(71) Applicant: **HUNTER FAN COMPANY**,
Memphis, TN (US)
(72) Inventors: **Christophe Badarello**, Holly Springs,
TN (US); **Charles Botkin**, Cordova,
TN (US)

D420,126 S 2/2000 Zetsche
D463,020 S 9/2002 Liu
D475,775 S 6/2003 Da Costa
D483,474 S 12/2003 Young
D484,964 S 1/2004 Young
D510,763 S 10/2005 Da Costa
D517,675 S 3/2006 Young

(Continued)

(73) Assignee: **Hunter Fan Company**

(**) Term: **15 Years**

(21) Appl. No.: **29/571,785**

(22) Filed: **Jul. 21, 2016**

Related U.S. Application Data

(63) Continuation of application No. 29/514,386, filed on
Jan. 12, 2015, now Pat. No. Des. 762,296.

(51) **LOC (10) Cl.** **23-04**

(52) **U.S. Cl.**
USPC **D23/413**

(58) **Field of Classification Search**
USPC D23/377, 379, 385, 387, 411-414, 499;
416/1, 5, 170 R, 214 R, 184, 206, 207,
416/210 R, 220 R, 244 R, 248; 392/364;
D26/59, 51, 72, 73, 80-86, 88, 90
CPC F04D 25/088; F04D 29/601; F04D 29/322;
F04D 29/324; F04D 29/38
See application file for complete search history.

(56) **References Cited**

U.S. PATENT DOCUMENTS

D97,601 S 11/1935 Funk
D105,260 S 7/1937 Brannan
D113,347 S * 2/1939 Funk D23/413
2,269,287 A 1/1942 Roberts
D131,699 S 3/1942 Funk
D185,104 S 5/1959 Twist
D334,232 S 3/1993 Searle
D337,156 S 7/1993 Jaeger

OTHER PUBLICATIONS

Ceiling Fan Blades.(Design—© Questel). orbit.com. [online PDF]
36 pgs. Print Dates range from Jan. 30, 2013 to Apr. 5,
2017[retrieved on Apr. 25, 2017] [https://sobjprd.questel.fr/export/
QPTUJ214/pdf2/e3df7f31-fc13-4c6e-a731-cee36cc2827d-193915.
pdf.*](https://sobjprd.questel.fr/export/QPTUJ214/pdf2/e3df7f31-fc13-4c6e-a731-cee36cc2827d-193915.pdf)
[http://www.craftmade.com/Craftmade-BSON60-WAL-No-Finish-
Detined-Ceiling-Fan.HTM](http://www.craftmade.com/Craftmade-BSON60-WAL-No-Finish-Detined-Ceiling-Fan.HTM), Item Specification for 60" Sonnet Blade
Ceiling Fan BSON60-WAL, accessed Apr. 9, 2015.

(Continued)

Primary Examiner — Susan Bennett Hattan

Assistant Examiner — Marie Fast Horse

(74) *Attorney, Agent, or Firm* — McGarry Bair PC

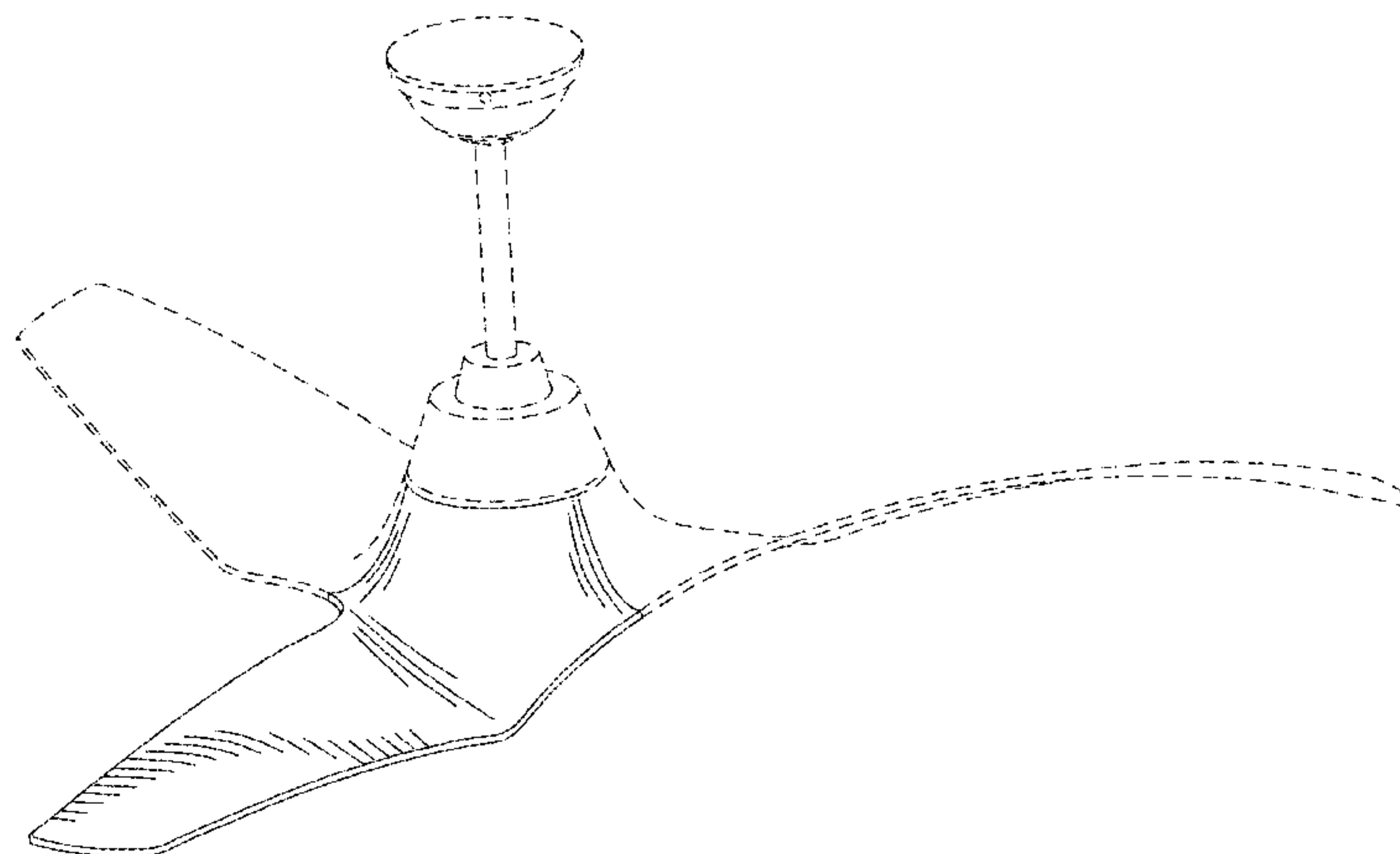
(57) **CLAIM**

The ornamental design for a ceiling fan blade, as shown and
described.

DESCRIPTION

FIG. 1 is a top perspective view of a ceiling fan having a
ceiling fan blade according to the invention;
FIG. 2 is a bottom perspective view of the ceiling fan blade
of FIG. 1;
FIG. 3 is a side view of the ceiling fan blade of FIG. 1;
FIG. 4 is a side view of the ceiling fan blade of FIG. 1;
FIG. 5 is a top view of the ceiling fan blade of FIG. 1; and,
FIG. 6 is a bottom view of the ceiling fan blade of FIG. 1.
Portions of the ceiling fan shown in broken lines depict
environmental subject matter only and form no part of the
claimed design.

1 Claim, 5 Drawing Sheets



(56)

References Cited

U.S. PATENT DOCUMENTS

7,037,074 B2 5/2006 Hoshino
 D530,414 S 10/2006 Hoshino
 D535,011 S 1/2007 Gajewski
 D535,387 S 1/2007 Gajewski
 D535,388 S * 1/2007 Gajewski D23/413
 D536,083 S 1/2007 Gajewski
 D596,285 S * 7/2009 Liu D23/413
 D612,476 S 3/2010 Noble
 D614,757 S 4/2010 Noble
 D631,536 S * 1/2011 Wiegel D23/413
 D670,802 S * 11/2012 Wang D23/413
 D671,203 S 11/2012 Wang
 D675,720 S 2/2013 Conillas
 D678,837 S * 3/2013 Ruiz de Gordejuela Diaz de
 Tuesta D12/214
 D680,210 S 4/2013 Chan
 D680,213 S * 4/2013 Spaggiari D23/371
 D690,409 S 9/2013 Noble et al.
 8,770,949 B2 7/2014 Noble
 D715,419 S 10/2014 Schulzman
 D715,421 S * 10/2014 Schulzman D23/413
 D716,436 S * 10/2014 Johnson D23/377
 D716,438 S 10/2014 Liu
 D721,429 S 1/2015 Busta
 D741,468 S 10/2015 Ertze
 D741,470 S * 10/2015 Ertze D23/413
 D743,530 S * 11/2015 Pan D23/413
 D761,949 S * 7/2016 Badarello D23/377
 D762,296 S * 7/2016 Badarello D23/377
 D770,027 S * 10/2016 Noble D23/385
 D776,251 S * 1/2017 Pickett D23/413
 D779,648 S * 2/2017 Badarello D23/377
 D783,146 S * 4/2017 Wang D23/413
 2010/0098545 A1 * 4/2010 Liu F03D 3/062
 416/204 R
 2011/0165002 A1 7/2011 Noble
 2012/0313553 A1 12/2012 Ko
 2013/0189109 A1 7/2013 Noble
 2013/0302169 A1 * 11/2013 Hennes F03B 13/264
 416/170 R
 2015/0377241 A1 * 12/2015 Hoemann F04D 19/002
 417/423.7

OTHER PUBLICATIONS

<http://www.fanimation.com/products/wylde/>, Item Specification for Wylde Ceiling Fan FPD6220MQW, accessed Apr. 9, 2015.
<http://www.fanimation.com/products/torto/>, Item Specification for Torto Ceiling Fan FP7900BL, accessed Apr. 9, 2015.
<http://www.kichler.com/products/product/shuriken-52-ceiling-fan-oil-brushed-bronze-obb-300.aspx>, Item Specification or Shuriken 52" Ceiling Fan—Oil Brushed Bronze OBB 3002090BB, accessed Apr. 9, 2015.
<http://www.kichler.com/products/product/52-inch-ridley-fan-obb-300145obb.aspx>, Item Specification for 52 Inch Ridley Fan OBB 300145OBB, accessed Apr. 9, 2015.
<http://www.minkagroup.net/all-collections?keys=gilera>, Item Specification for Gilera 62" 3 Blade Ceiling Fan F733-WH, accessed Apr. 9, 2015.
<http://www.montecarlofans.com/44079/72in-Minimalist-Max---Rubberized-White-3MNLR72RZWD.html>, Item Specification for Minimalist Max 72" Ceiling Fan 3MNLR72RZWD, accessed Apr. 9, 2015.
<http://www.montecarlofans.com/20904/57-Mach-One-Fan---Titanium-3MO52TMO.html>, Item Specification for Mach One 52" Ceiling Fan, accessed Apr. 9, 2015.
<http://www.quoruminternational.com/index.cfm/app/productDetail?product=97003-014>, Item Specification for Chrome ceiling Fan 97003-014, accessed Apr. 9, 2015.
<http://www.homedepot.com/p/Home-Decorators-Collection-Reagan-LED-II-52-in-Brushed-Nickel-Ceiling-Fan-YG423-BN/204739440?keyword=Reagan+LED>, Item Specification for Reagan LED II 52 in. Brushed Nickel Ceiling Fan YG423-BN, accessed Apr. 9, 2015.
<http://www.homedepot.com/p/Hampton-Bay-Florentine-IV-56-in-Brushed-Nickel-Ceiling-Fan-with-Wall-Control-AC299-BN/100063498>, Item Specification for Florentine IV 56 in. Brushed Nickel Ceiling Fan with Wall Control AC299-BN, accessed Apr. 9, 2015.
<http://www.homedepot.com/p/Westinghouse-Techno-52-in-Brushed-Aluminum-LED-Indoor-Ceiling-Fan-7800200f205427929>, Item Specification for Techno 52 in. Brushed Aluminum LED Indoor Ceiling Fan 7800200, accessed Apr. 9, 2015.

* cited by examiner

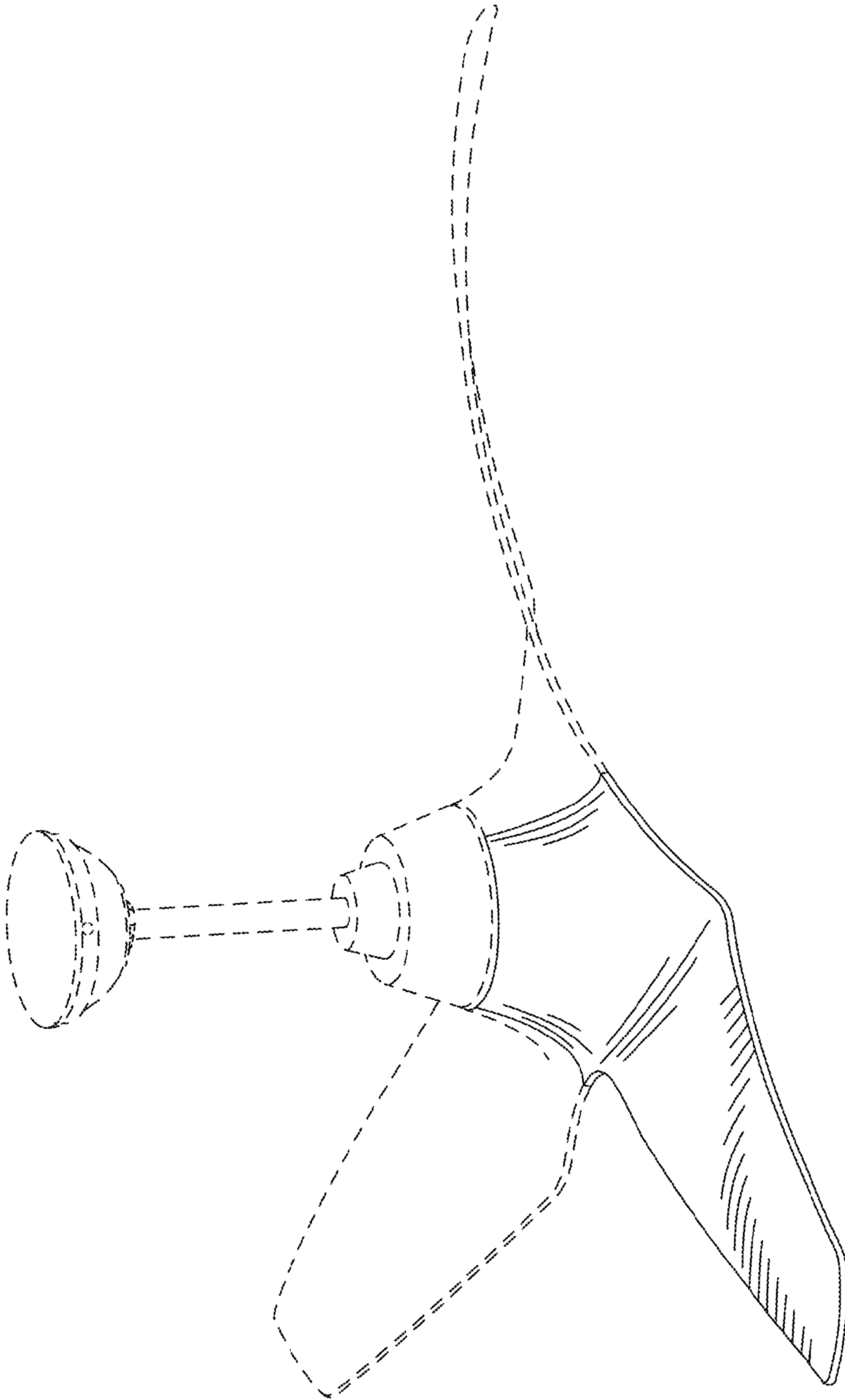


FIG.1

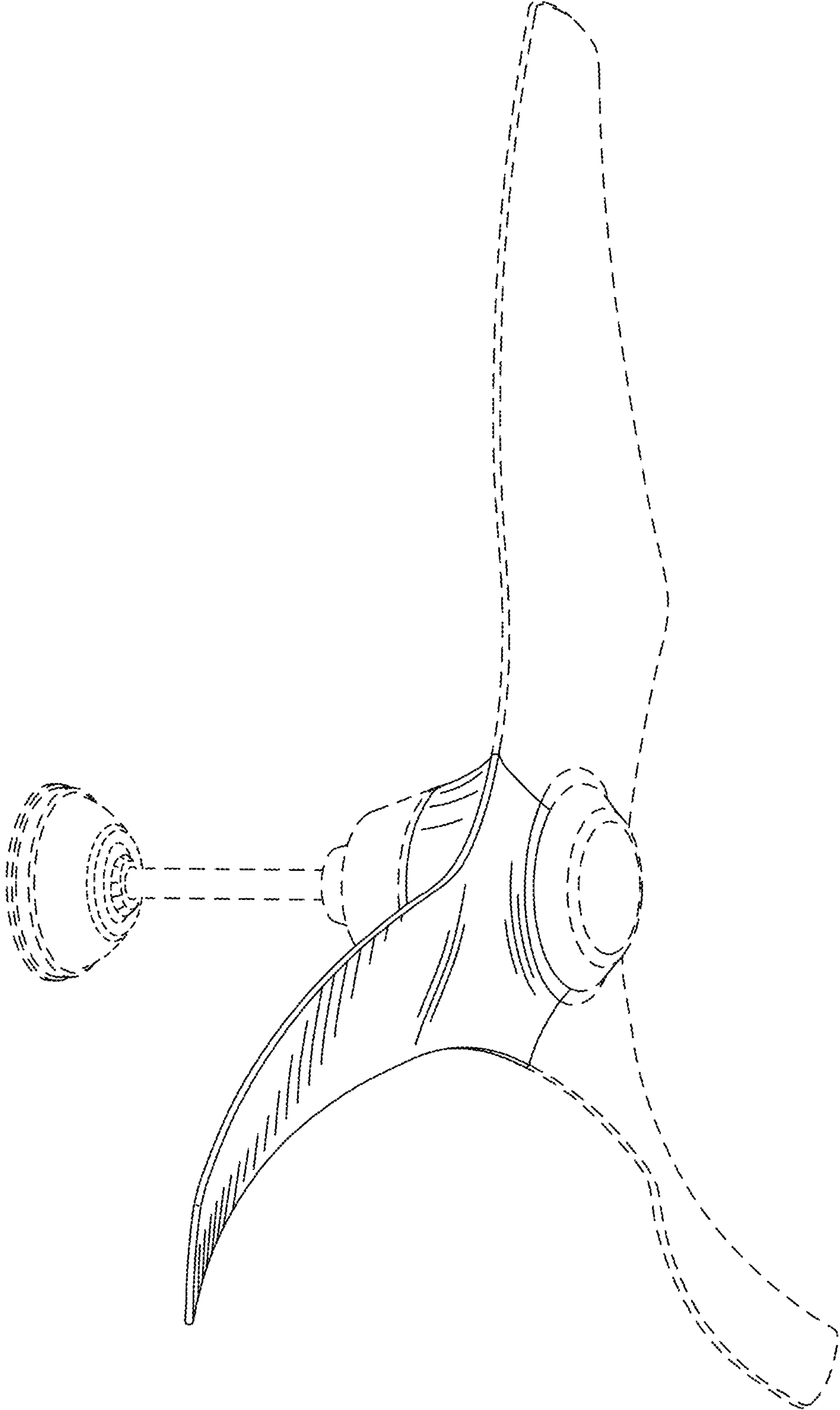


FIG.2

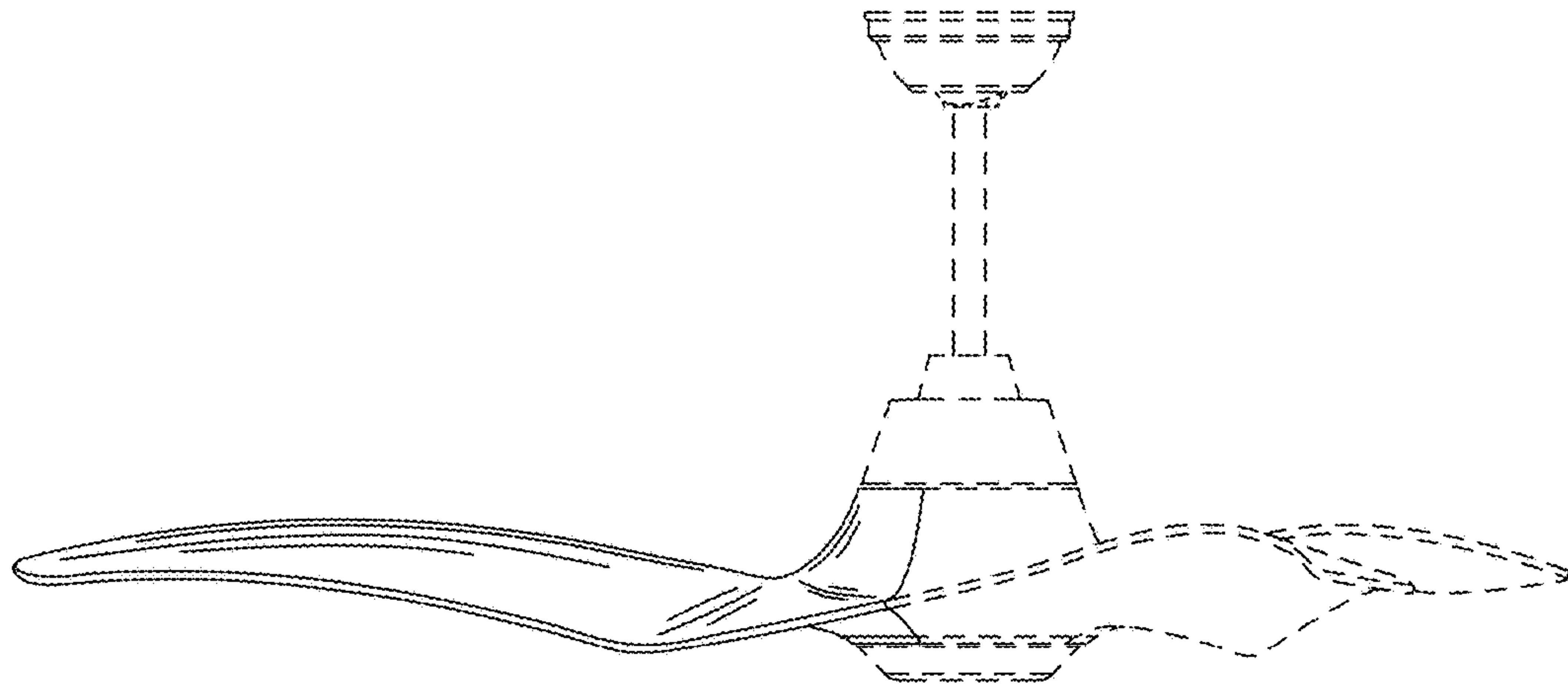


FIG.3

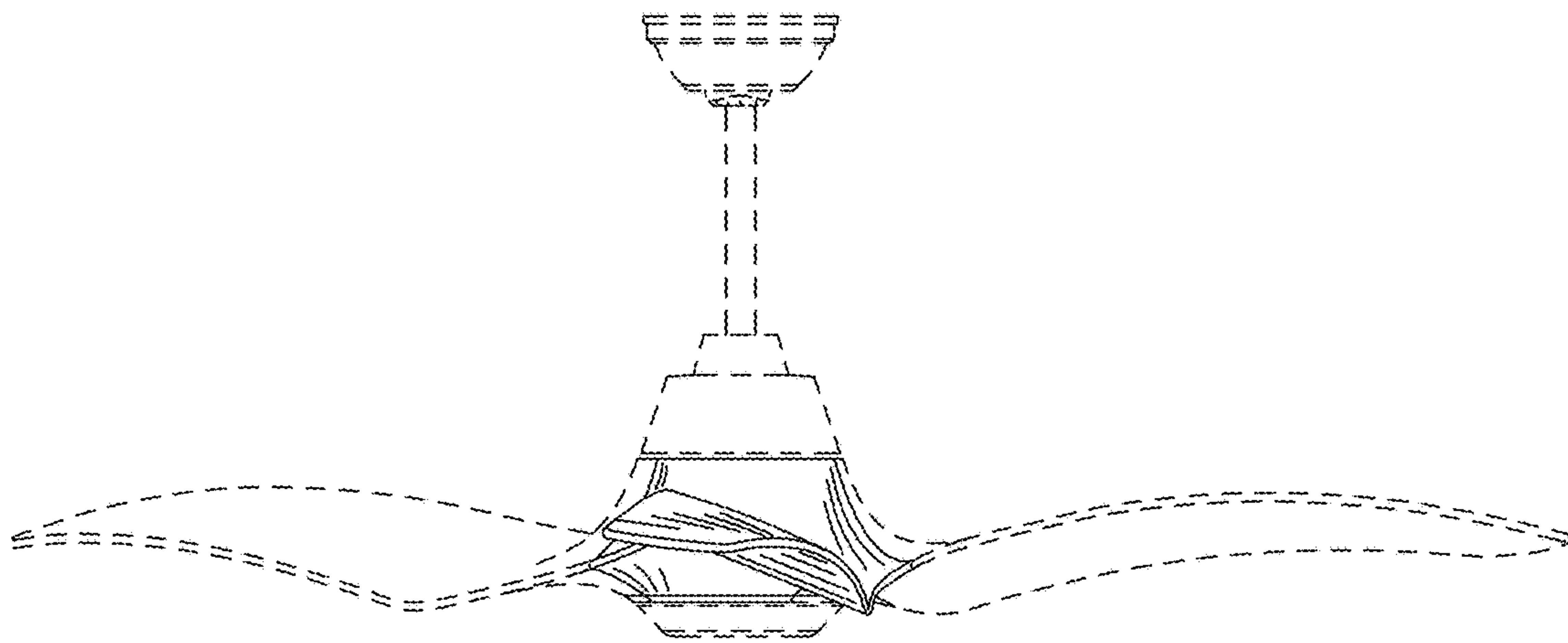


FIG.4

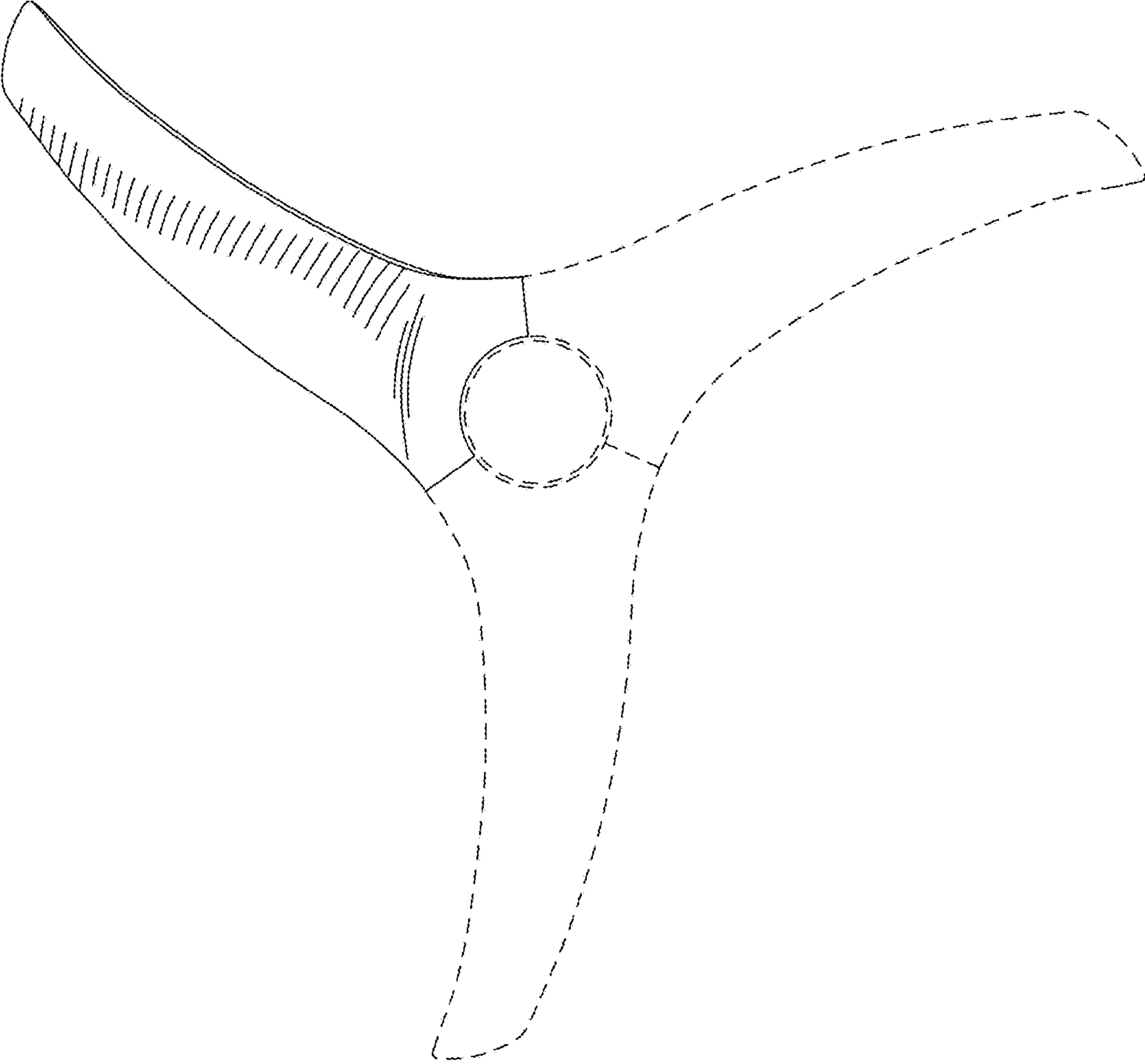


FIG.5

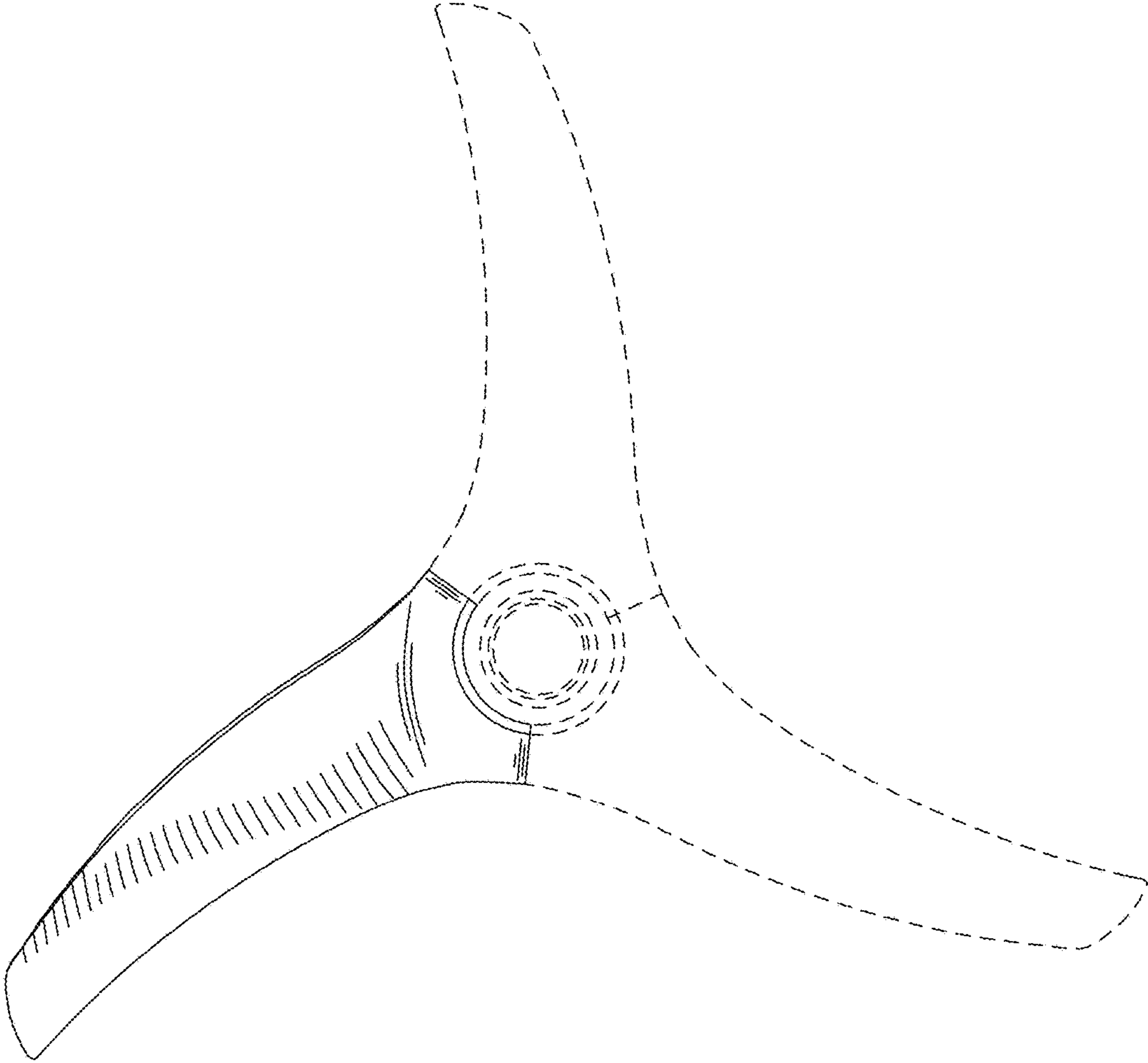


FIG.6