



US00D798432S

(12) **United States Design Patent** (10) **Patent No.:** **US D798,432 S**  
**Badarello et al.** (45) **Date of Patent:** **\*\* Sep. 26, 2017**

(54) **CEILING FAN**

OTHER PUBLICATIONS

(71) Applicant: **HUNTER FAN COMPANY**,  
Memphis, TN (US)  
(72) Inventors: **Christophe Badarello**, Holly Springs,  
MS (US); **Christine Holmes**, Memphis,  
TN (US)  
(73) Assignee: **Hunter Fan Company**, Memphis, TN  
(US)

Vaxcel FN56305BBZ Yellowstone Ceiling Fan, 56", Burnished  
Bronze Finish, date first available Apr. 11, 2008, amazon.com, site  
visited Jul. 3, 2017, Copyright © 1996-2017, Available from Inter-  
net, [https://www.amazon.com/Vaxcel-FN56305BBZ-Yellowstone-  
Ceiling-Burnished/dp/B001ARAWGE/ref=sr\\_1\\_1?ie=UTF8  
&qid=1498064995&.\\*](https://www.amazon.com/Vaxcel-FN56305BBZ-Yellowstone-Ceiling-Burnished/dp/B001ARAWGE/ref=sr_1_1?ie=UTF8&qid=1498064995&)  
Cedar Ridge—52" Ceiling Fan, date first available unknown,  
hunterfan.com, site visited Jul. 3, 2017, Copyright © 2017, Avail-  
able from Internet, [http://www.hunterfan.com/Ceiling-Fans/Cedar-  
Ridge?ModelNumber=59200.\\*](http://www.hunterfan.com/Ceiling-Fans/Cedar-Ridge?ModelNumber=59200.*)  
[http://www.kichler.com/products/product/54-inch-porters-lake-fan-  
mdw-310110mdw.aspx](http://www.kichler.com/products/product/54-inch-porters-lake-fan-mdw-310110mdw.aspx), 54 Inch Porters Lake Fan MDW,  
310110MDW, accessed Mar. 8, 2016.

(\*\*) Term: **15 Years**

(21) Appl. No.: **29/557,288**

(22) Filed: **Mar. 8, 2016**

(51) **LOC (10) Cl.** ..... **23-04**

(52) **U.S. Cl.**  
USPC ..... **D23/377**

(58) **Field of Classification Search**  
USPC ..... D23/355, 370–376, 378–387, 412, 414,  
D23/377, 411, 413; D26/59; D12/214  
CPC ..... F04D 25/088; F21V 33/0096  
See application file for complete search history.

(Continued)

*Primary Examiner* — Lakiya G Rogers  
*Assistant Examiner* — Sharon S Oum  
(74) *Attorney, Agent, or Firm* — McGarry Bair PC

(57) **CLAIM**

The ornamental design for a ceiling fan, as shown and  
described.

**DESCRIPTION**

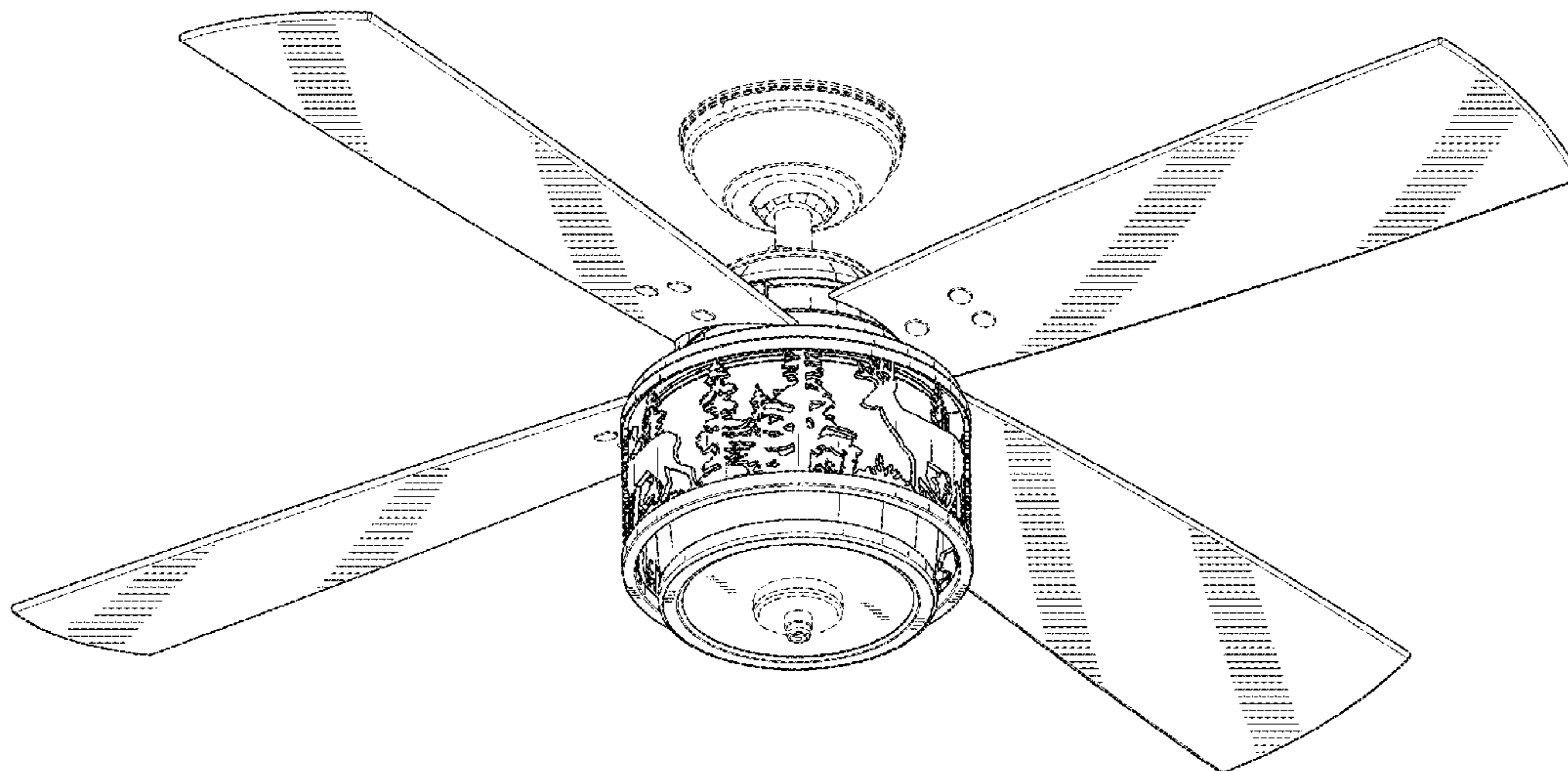
(56) **References Cited**

U.S. PATENT DOCUMENTS

D389,566 S	1/1998	Jaspers-Fayer	
D430,930 S	9/2000	Zuege	
D464,722 S	10/2002	Sonneman	
D481,453 S	10/2003	Dye	
D485,348 S	1/2004	Stauffer	
D518,165 S	3/2006	Frampton et al.	
D520,625 S *	5/2006	Tinen	D23/377
D522,123 S *	5/2006	Tinen	D23/377
D536,435 S *	2/2007	Tinen	D23/377
D547,483 S	7/2007	Pickett	
D710,490 S	8/2014	Shurtleff	
D771,796 S *	11/2016	Wang	D23/377

FIG. 1 is a top perspective view of a ceiling fan showing our  
new design;  
FIG. 2 is a bottom perspective view of the ceiling fan of FIG.  
1;  
FIG. 3 is a top view of the ceiling fan of FIG. 1;  
FIG. 4 is a bottom view of the ceiling fan of FIG. 1;  
FIG. 5 is a front side view of the ceiling fan of FIG. 1;  
FIG. 6 is a rear side view of the ceiling fan of FIG. 1;  
FIG. 7 is a right side view of the ceiling fan of FIG. 1; and,  
FIG. 8 is a left side view of the ceiling fan of FIG. 1.  
Portions of the ceiling fan shown in broken lines form no  
part of the claimed design.

**1 Claim, 8 Drawing Sheets**



(56)

**References Cited**

## OTHER PUBLICATIONS

<http://www.kichler.com/products/product/52-inch-lacey-ceiling-fan-ap-300181ap.aspx>, Lacey Collection 52 Inch Lacey Ceiling Fan AP, 300181AP, accessed Mar. 8, 2016.

<http://ceilingfans.emerson.com/shop/en/fan/fan-s-all/fans-s-browse-all/amhurst-fan-p-cf880>, Amhurst, CF880BS, accessed Mar. 8, 2016.

<http://www.fanimation.com/products/index.php/fans/stafford.html>, Stafford, PL8274, accessed Mar. 8, 2016.

<http://www.kichler.com/products/product/52-inch-chicago-fan-tzg-300001tzm.aspx>, Chicago Collection 52 Inch Chicago Fan TZG, 300001TZG, accessed Mar. 8, 2016.

<http://www.montecarlofans.com/44067/54in-Tillbury-Weathered-Zinc-Fan-and-Light-Kit-5TLR54WZCD.html>, 54in Tillbury-Weathered Zinc-Fan and Light Kit, 5TLR54WZCD, accessed Mar. 8, 2016.

<http://www.quorumlightinglights.com/product/quorum-alta-indoor-ceiling-fans-58524-86.html>, Quorum International Alta 1 Light Ceiling Fan in Oiled Bronze with Walnut Blades, 58524-86, accessed Mar. 8, 2016.

<http://www.montecarlofans.com/44072/56in-Artizan-Roman-Bronze-5AZR56RB.html>, 56" Artizan-Roman Bronze, 5AZR56RB, accessed Mar. 8, 2016.

\* cited by examiner

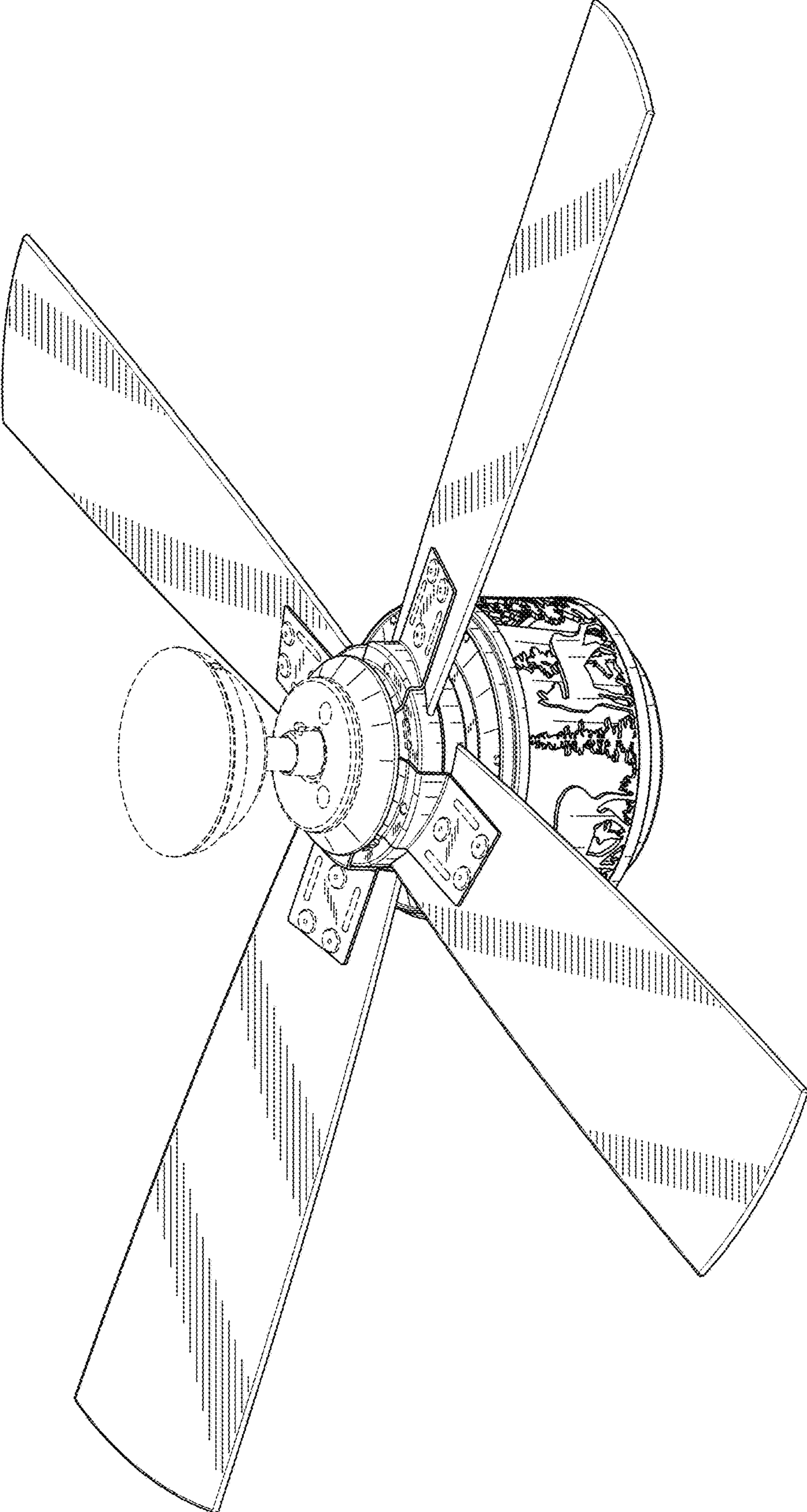


FIG. 1



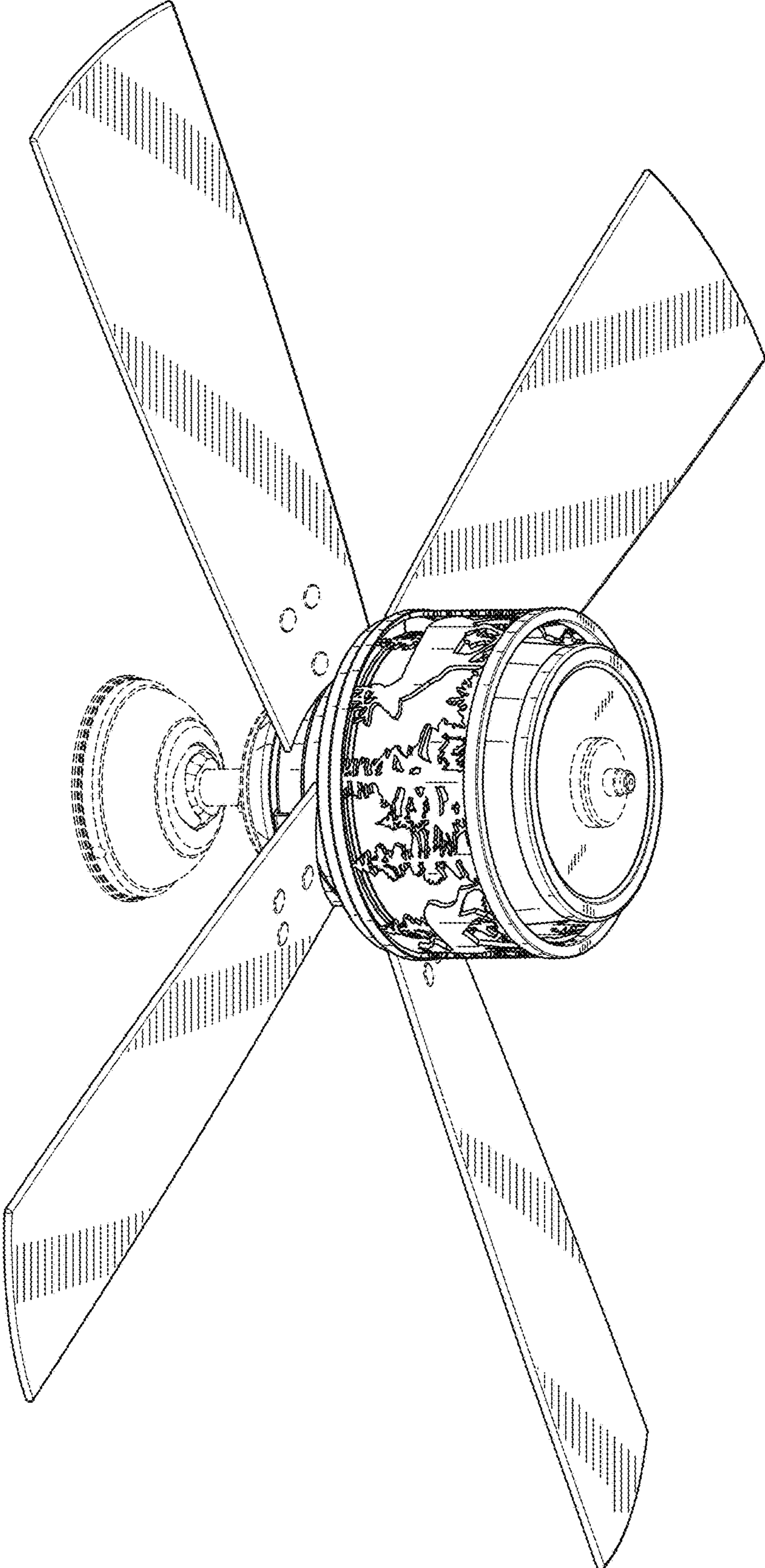


FIG. 2

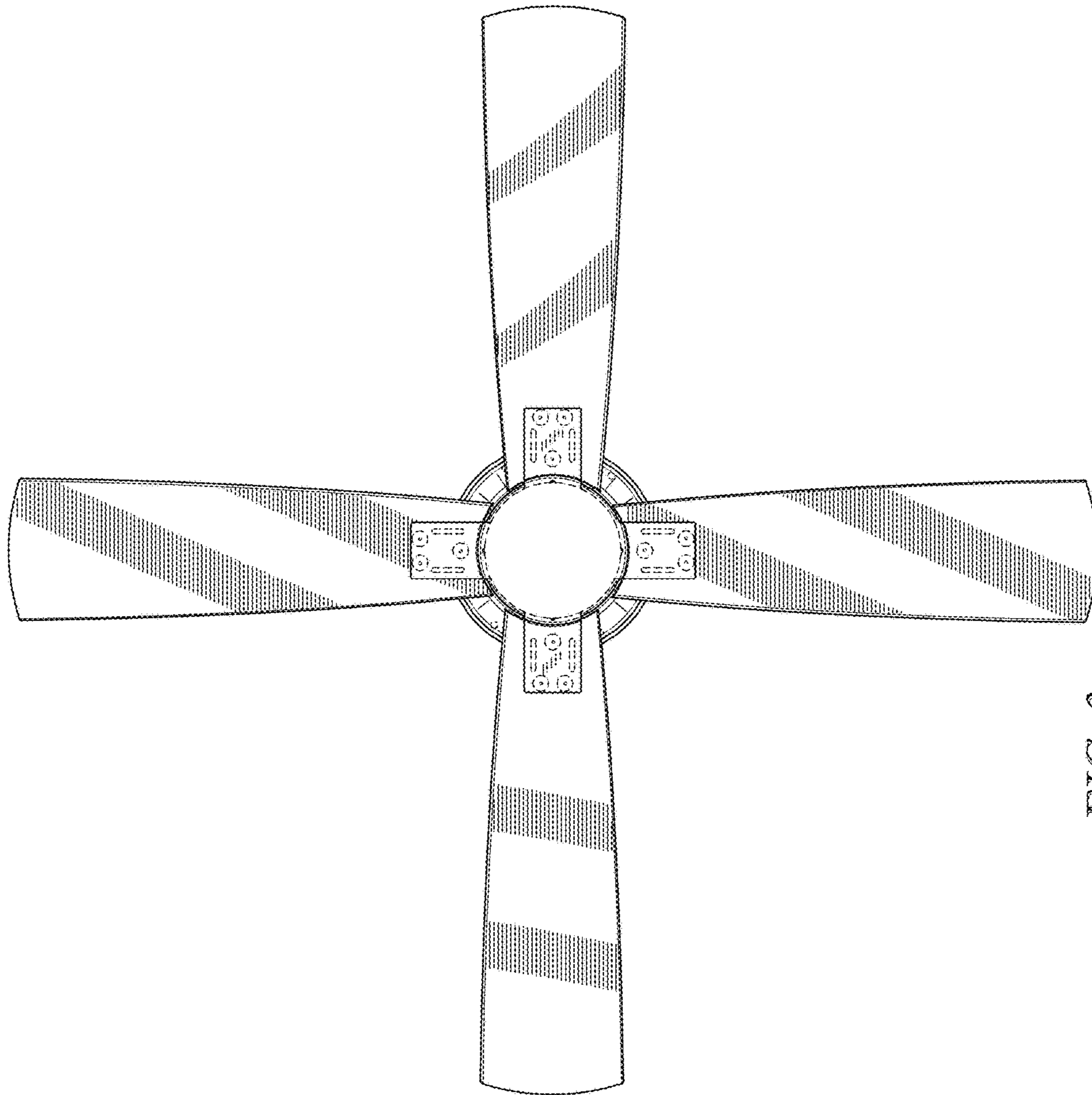


FIG. 3

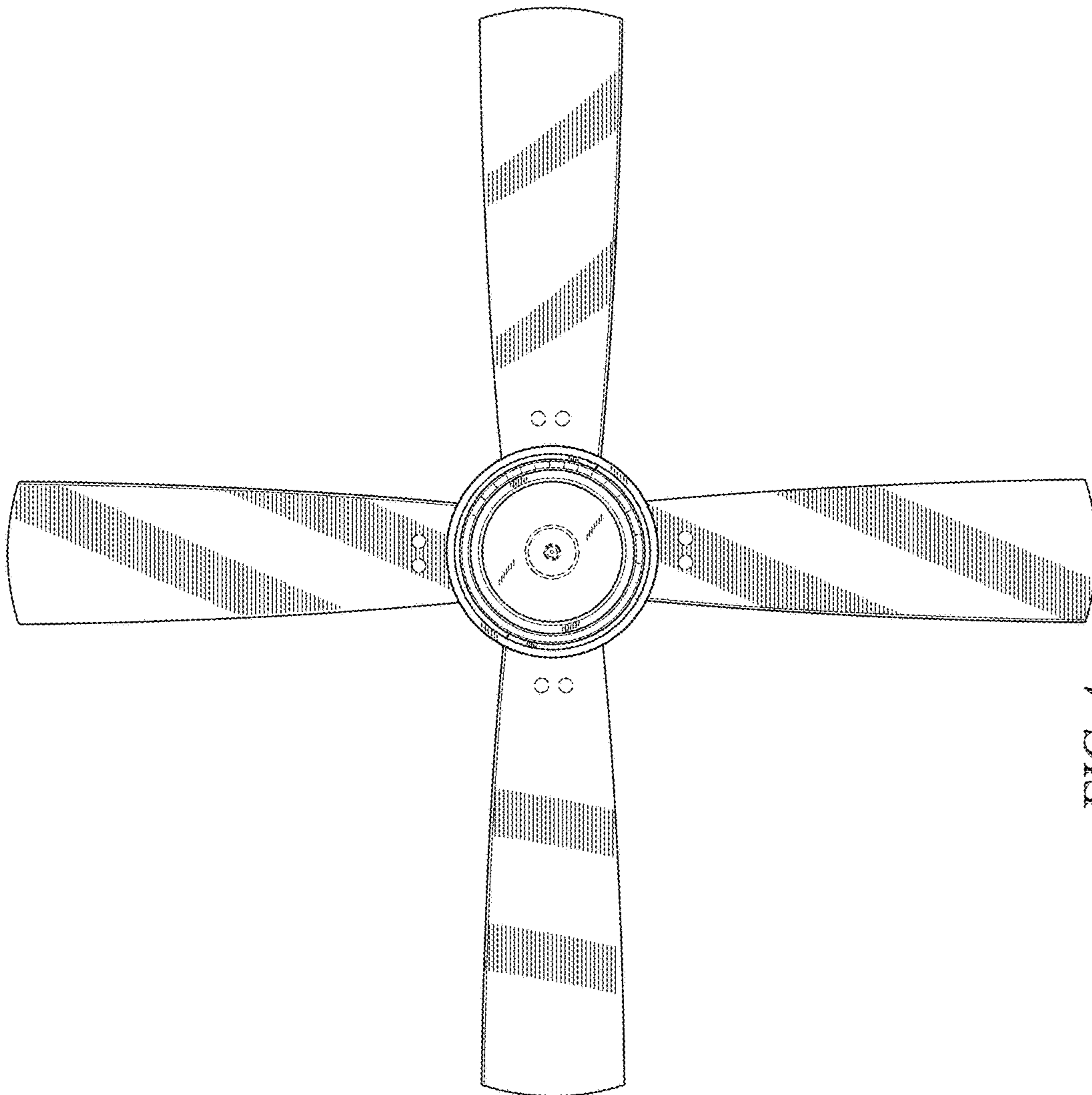


FIG. 4

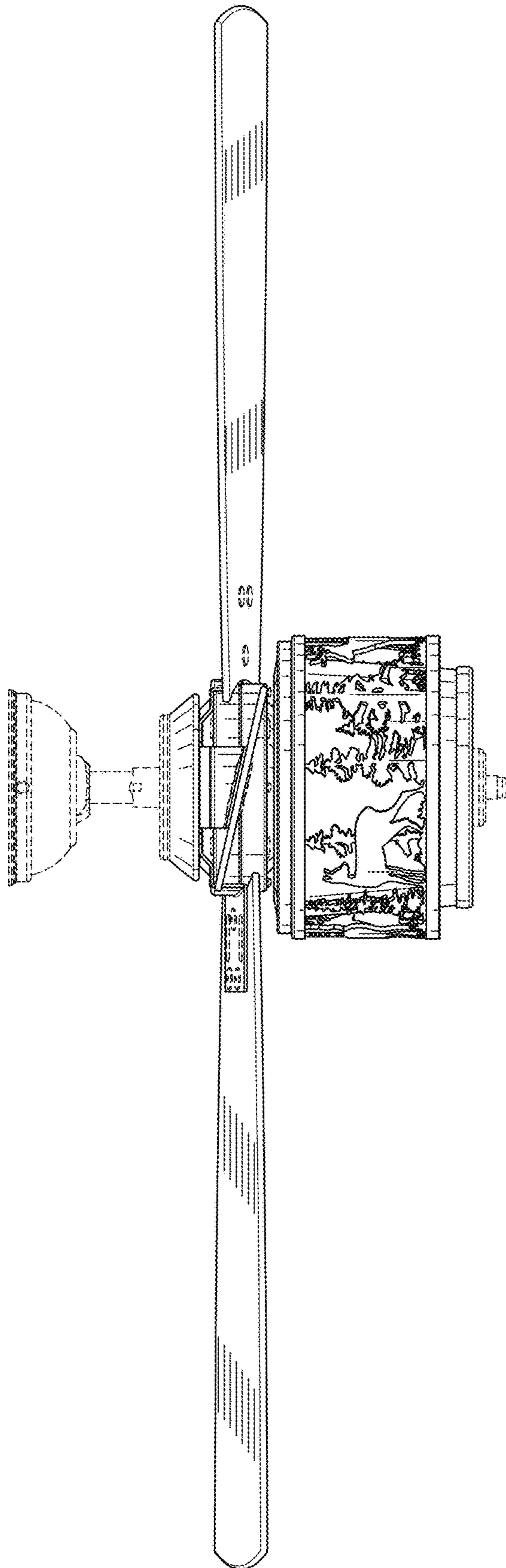


FIG. 5

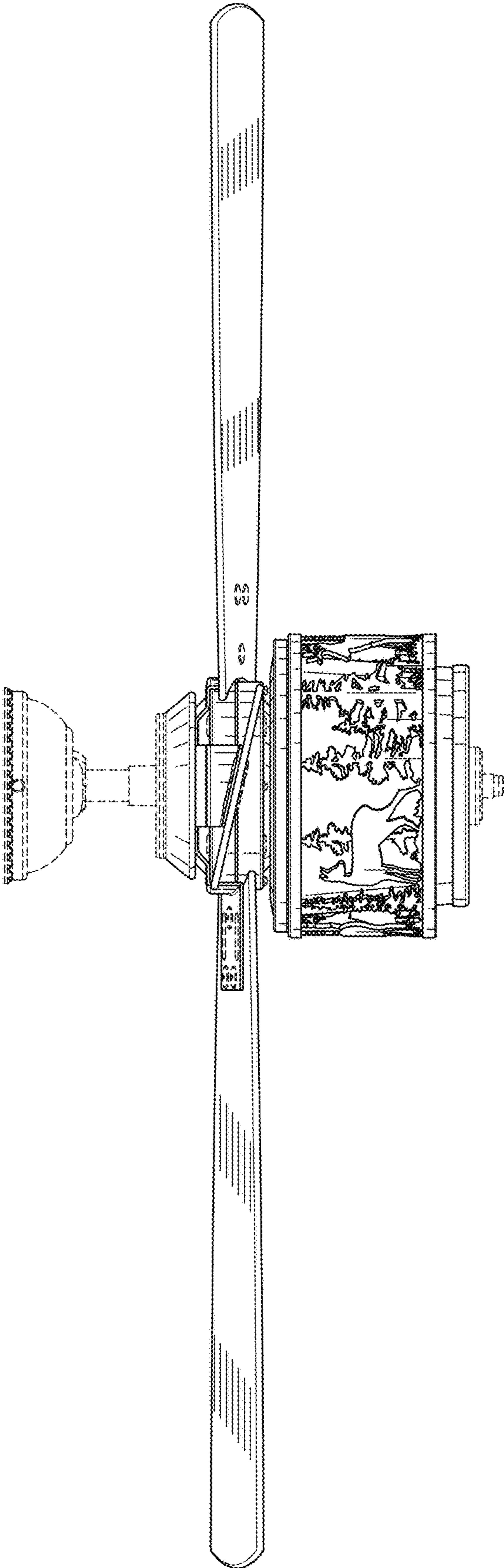


FIG. 6



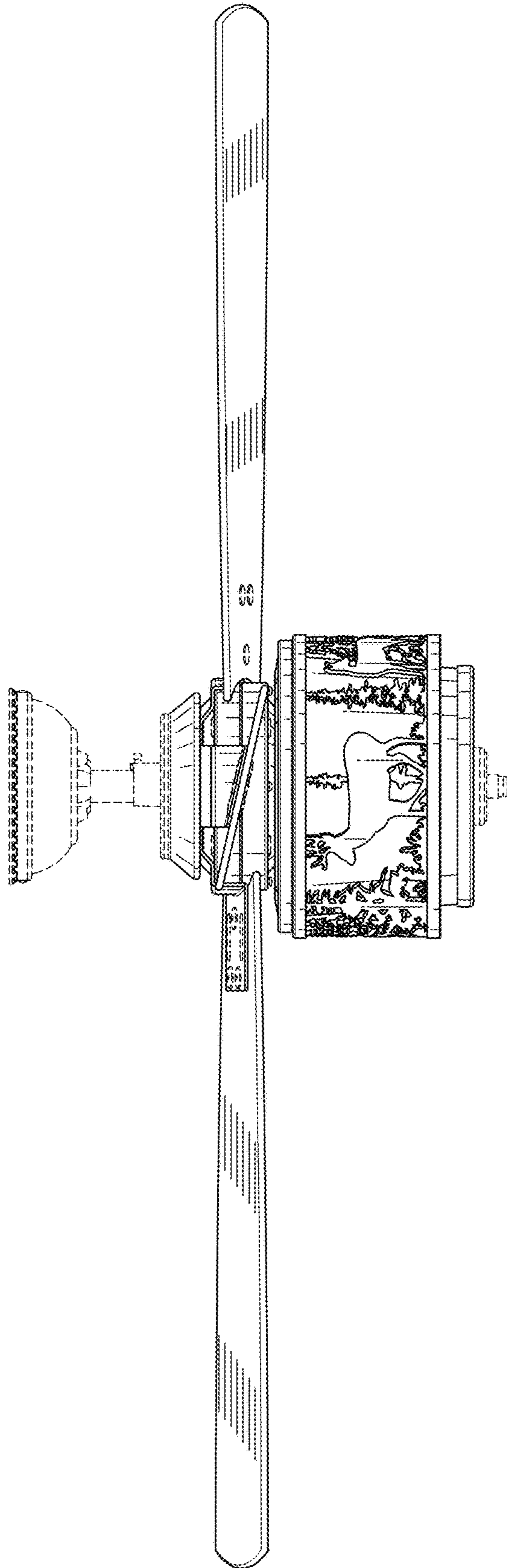


FIG. 7

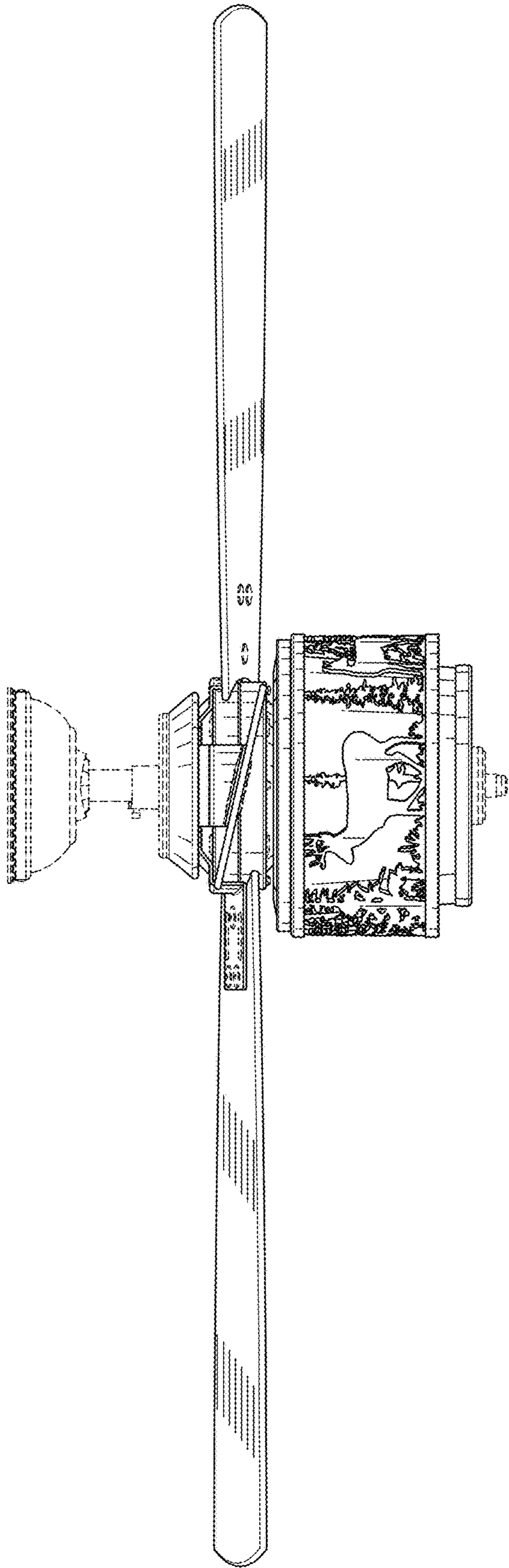


FIG. 8