



US00D798431S

(12) **United States Design Patent** (10) **Patent No.:** **US D798,431 S**
McRoberts (45) **Date of Patent:** **** Sep. 26, 2017**

(54) **CEILING FAN**
(71) Applicant: **HUNTER FAN COMPANY,**
Memphis, TN (US)
(72) Inventor: **Claire Bernice McRoberts,** Memphis,
TN (US)
(73) Assignee: **Hunter Fan Company,** Memphis, TN
(US)
(**) Term: **15 Years**
(21) Appl. No.: **29/557,286**
(22) Filed: **Mar. 8, 2016**
(51) **LOC (10) Cl.** **23-04**
(52) **U.S. Cl.**
USPC **D23/377**
(58) **Field of Classification Search**
USPC D23/355, 370-376, 378-387, 412, 414,
D23/377, 411, 413; D26/59; D12/214
CPC F04D 25/088; F21V 33/0096
See application file for complete search history.

D632,381 S * 2/2011 Davenport D23/377
D633,611 S 3/2011 Pan
D704,819 S 5/2014 Wang
D704,821 S 5/2014 Wang
D706,970 S 6/2014 Wang
D745,656 S 12/2015 Wang

OTHER PUBLICATIONS

Craftmade SOE54ESP5, Solo LED Espresso Five Blade 54" Ceiling Fan With Dimmable Light and Remote, date first available Mar. 18, 2016, amazon.com, site visited Jun. 21, 2017, Copyright© 1996-2017, Available from Internet, <https://www.amazon.com/Craftmade-SOE54ESP5-Espresso-Ceiling-Dimmable/dp/B01D4TWE7U/ref=sr_1_1?ie=UTF8&qid=1498058099&sr=8-1&keywords=c.*

(Continued)

Primary Examiner — Cathron Brooks
Assistant Examiner — Sharon S Oum
(74) *Attorney, Agent, or Firm* — McGarry Bair PC

(57) **CLAIM**

The ornamental design for a ceiling fan, as shown and described.

DESCRIPTION

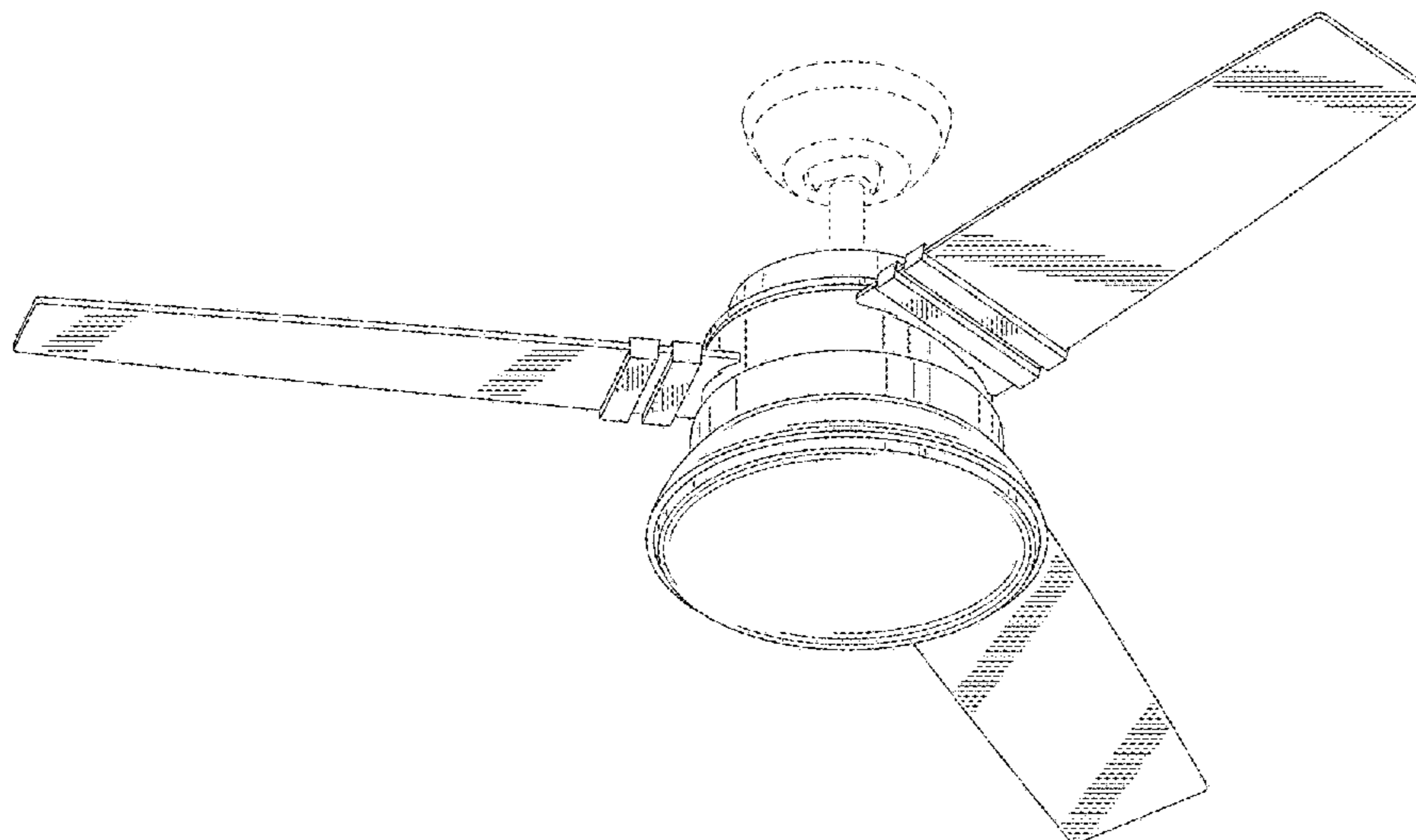
FIG. 1 is a top perspective view of a ceiling fan showing my new design;
FIG. 2 is a bottom perspective view of the ceiling fan of FIG. 1;
FIG. 3 is a top view of the ceiling fan of FIG. 1;
FIG. 4 is a bottom view of the ceiling fan of FIG. 1;
FIG. 5 is a front side view of the ceiling fan of FIG. 1;
FIG. 6 is a rear side view of the ceiling fan of FIG. 1;
FIG. 7 is a left side view of the ceiling fan of FIG. 1; and,
FIG. 8 is a right side view of the ceiling fan of FIG. 1.
Portions of the ceiling fan shown in broken lines form no part of the claimed design.

1 Claim, 6 Drawing Sheets

(56) **References Cited**

U.S. PATENT DOCUMENTS

4,073,598 A * 2/1978 Mizutani F04D 25/0613
416/170 R
D346,858 S * 5/1994 Lee D23/377
D355,027 S * 1/1995 Young D23/377
D424,680 S * 5/2000 Wenzlick D23/377
D427,672 S * 7/2000 Lee D23/377
D428,984 S * 8/2000 Lee D23/377
D464,722 S 10/2002 Sonneman
D478,980 S * 8/2003 Hidalgo D23/411
D483,847 S 12/2003 Tai
D582,030 S 12/2008 Pickett
D603,955 S 11/2009 Patton
D614,758 S 4/2010 Shurtleff
D627,053 S 11/2010 Pan
D627,874 S 11/2010 Pan



(56)

References Cited

OTHER PUBLICATIONS

<http://www.homedepot.com/p/Hampton-Bay-Valle-Paraiso-52-in-Oil-Rubbed-Bronze-Ceiling-Fan-14036/202050936>, Item Specification for 52" Valle Paraiso Oil-Rubbed Bronze Ceiling Fan, Accessed Mar. 8, 2016.

<http://www.homedepot.com/p/Hampton-Bay-Marlton-52-in-Oil-Rubbed-Bronze-Ceiling-Fan-YG305-ORB/202549795>, Item Specification for Hampton Bay Marlton 52" Oil-Rubbed Bronze Ceiling Fan, Accessed Mar. 8, 2016.

<http://www.menards.com/main/p-1444438448164-c-7488>.

[htm?tid=-5244648551955826367](http://www.menards.com/main/p-1444438448164-c-7488.htm?tid=-5244648551955826367), Item Specification for Turn of the Century Lafitte 52" Gold Stone Ceiling Fan, Accessed Mar. 8, 2016.

<http://www.kichler.com/products/product/52-inch-cameron-fan-wcp-310104wcp.aspx>, Item Specification for Cameron collection 52" Cameron Fan WCP, Accessed Mar. 8, 2016.

<http://www.kichler.com/products/product/52-inch-kittery-point-fan-pn-300020pn.aspx>, Item Specification for Kittery Point Collection 52" Kittery Point Fan PN, Accessed Mar. 8, 2016.

<http://www.hunterfan.com/Ceiling-Fans/Landsdowne?ModelNumber=59172>,

Item Specification for Landsdowne 52" ceiling Fan, Accessed Mar. 8, 2016.

<http://www.fanimation.com/products/index.php/fans/zonix.html>,

Item Specification for Fanimation Zonix 54" Ceiling Fan, Accessed Mar. 8, 2016.

<http://www.kichler.com/products/product/56-inch-hatteras-bay-fan-obb-300018obb.aspx>, Item Specification for Hatteras Bay Collection 56" Hatteras Bay Fan OBB, Accessed Mar. 8, 2016.

<http://www.menards.com/main/p-1444424537879-c-7487>.

[htm?tid=-5244648551955826367](http://www.menards.com/main/p-1444424537879-c-7487.htm?tid=-5244648551955826367), Item Specification for Turn of the Century Montego Bapy 52" Weathered Copper Wet Rated Ceiling Fan, Accessed Mar. 8, 2016.

<http://www.kichler.com/products/product/52-inch-harbour-walk-patio-fan-wcp-310102wcp.aspx>, Item Specification for Harbour Walk Patio Collection 52" Harbour Walk Patio Fan WCP, Accessed Mar. 8, 2016.

<http://www.craftmade.com/Craftmade-Union-v16.htm>, Item Specification for Craftmade Union 52" Ceiling Fan Blades, Accessed Mar. 8, 2016.

* cited by examiner

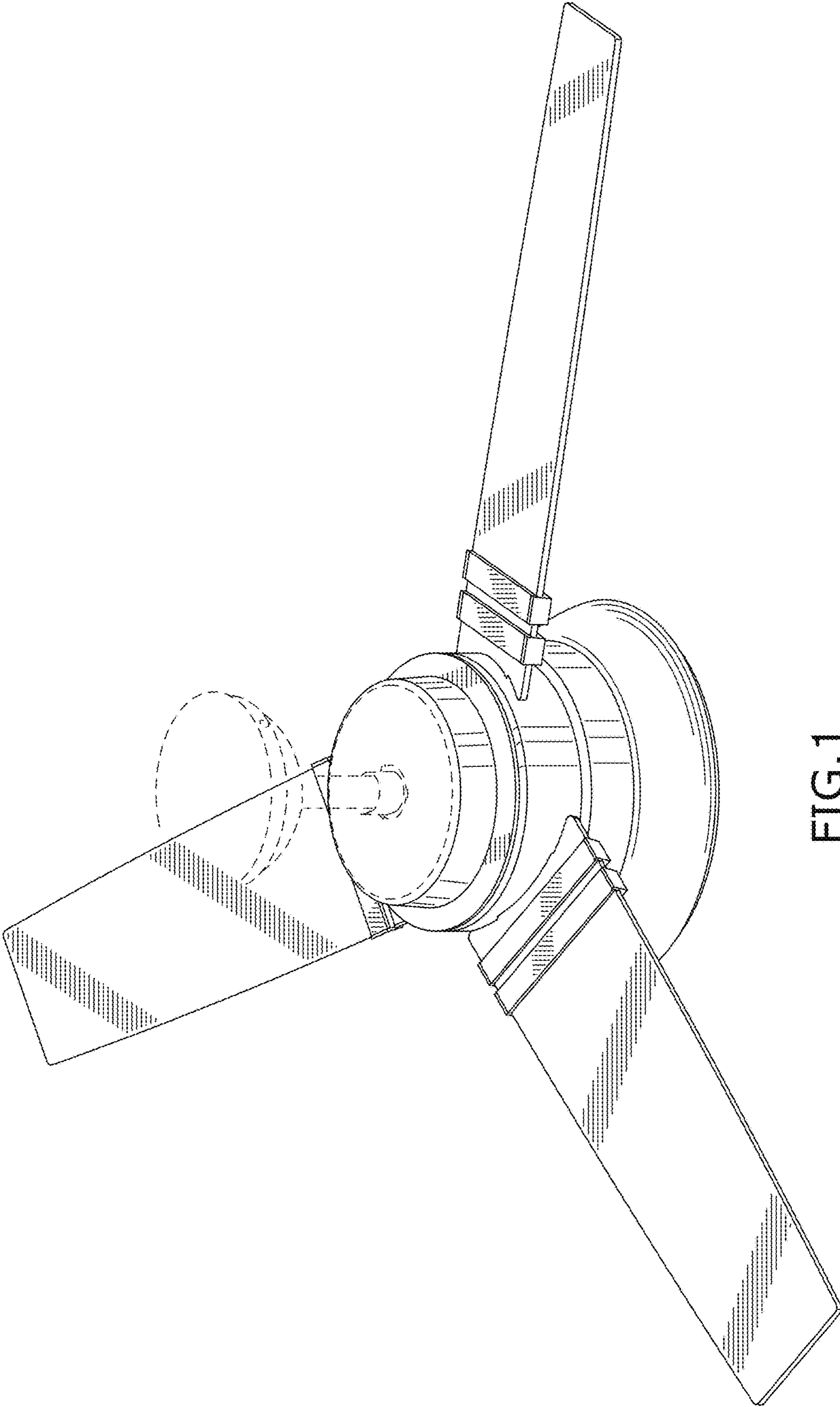


FIG.1

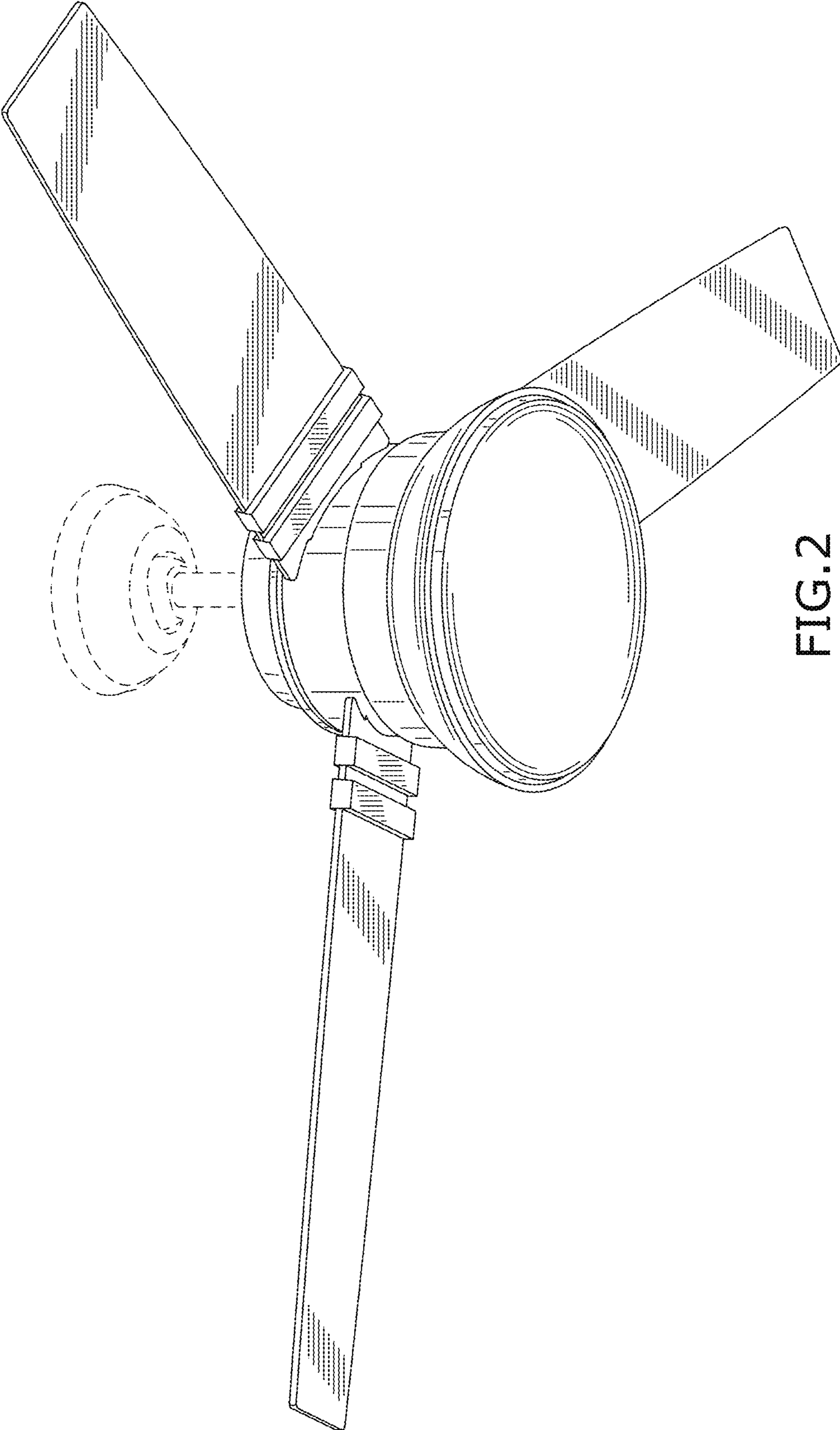


FIG.2

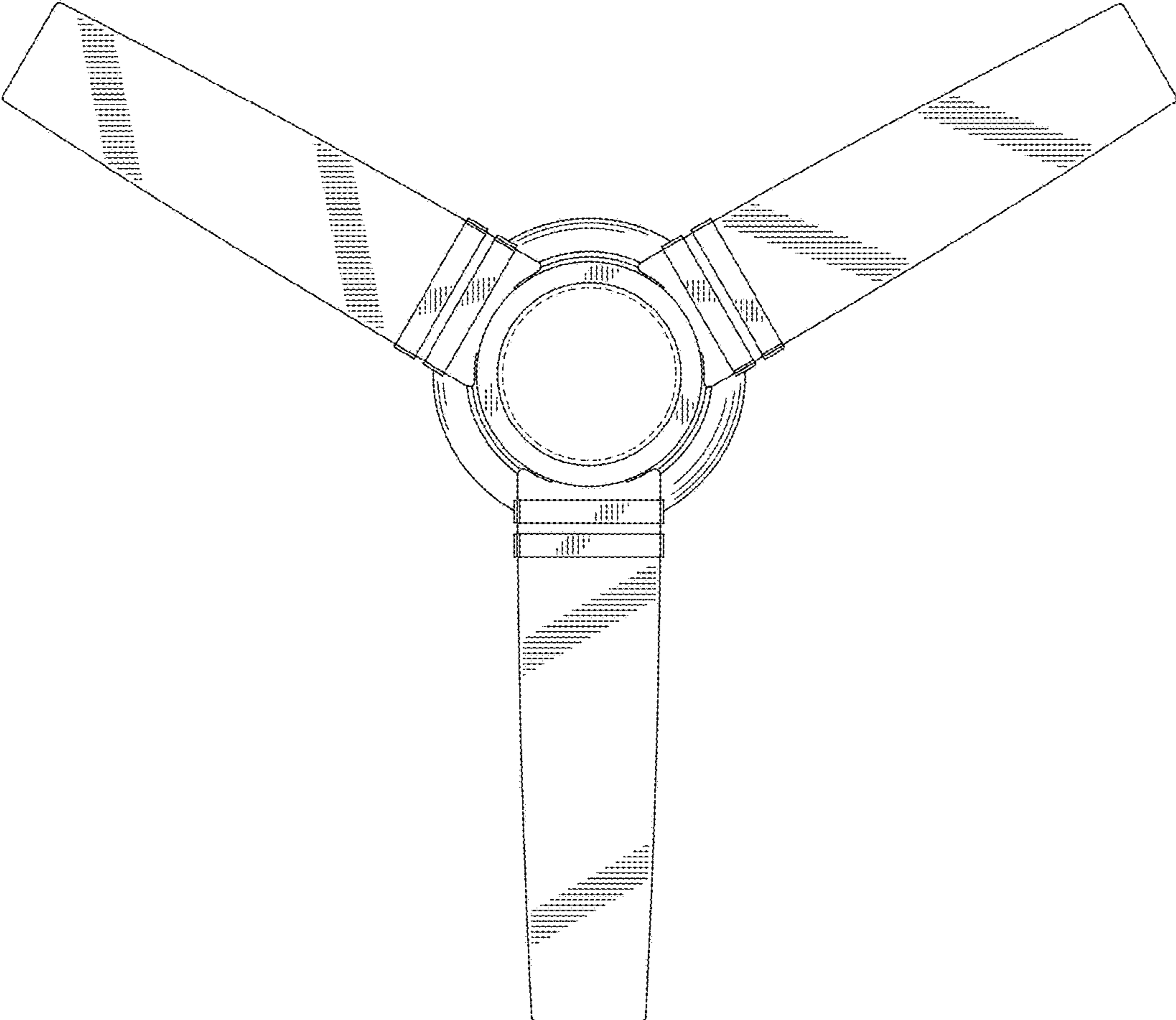


FIG.3

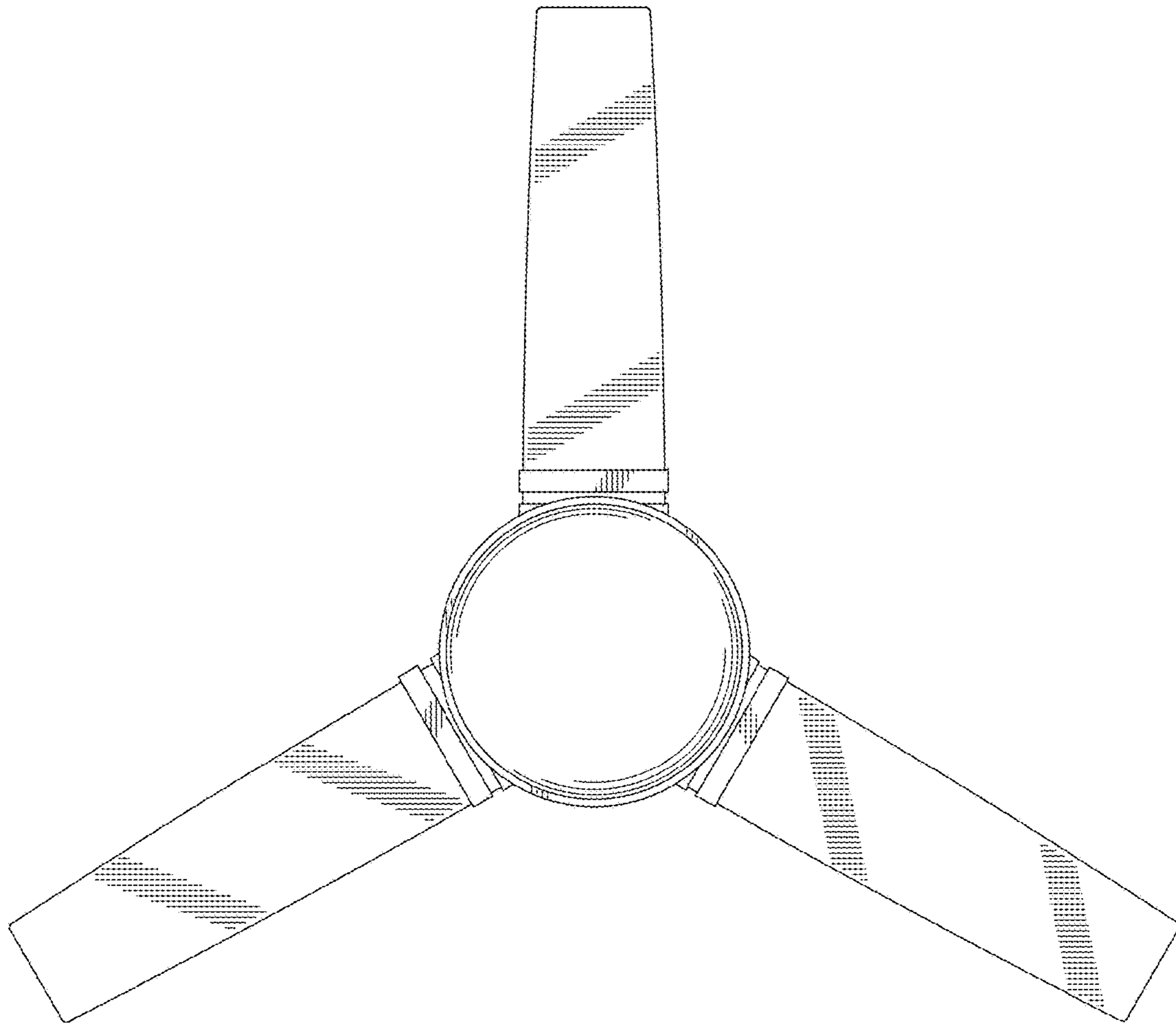


FIG.4

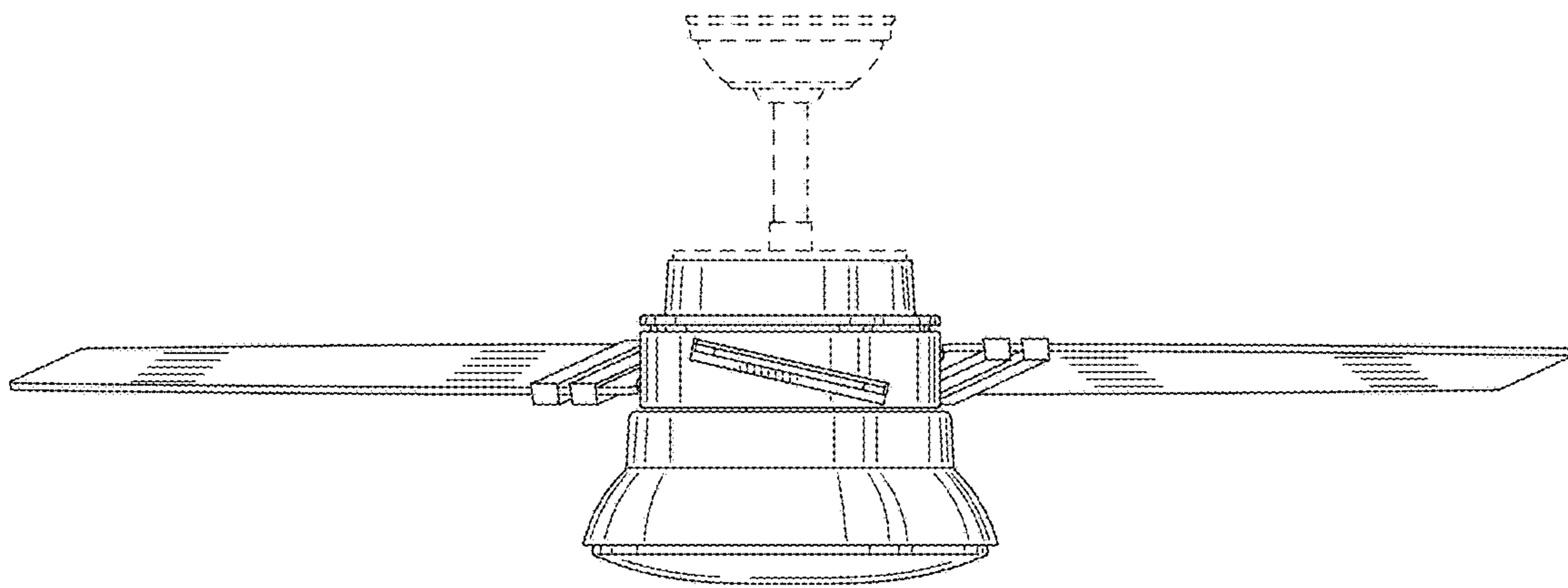


FIG. 5

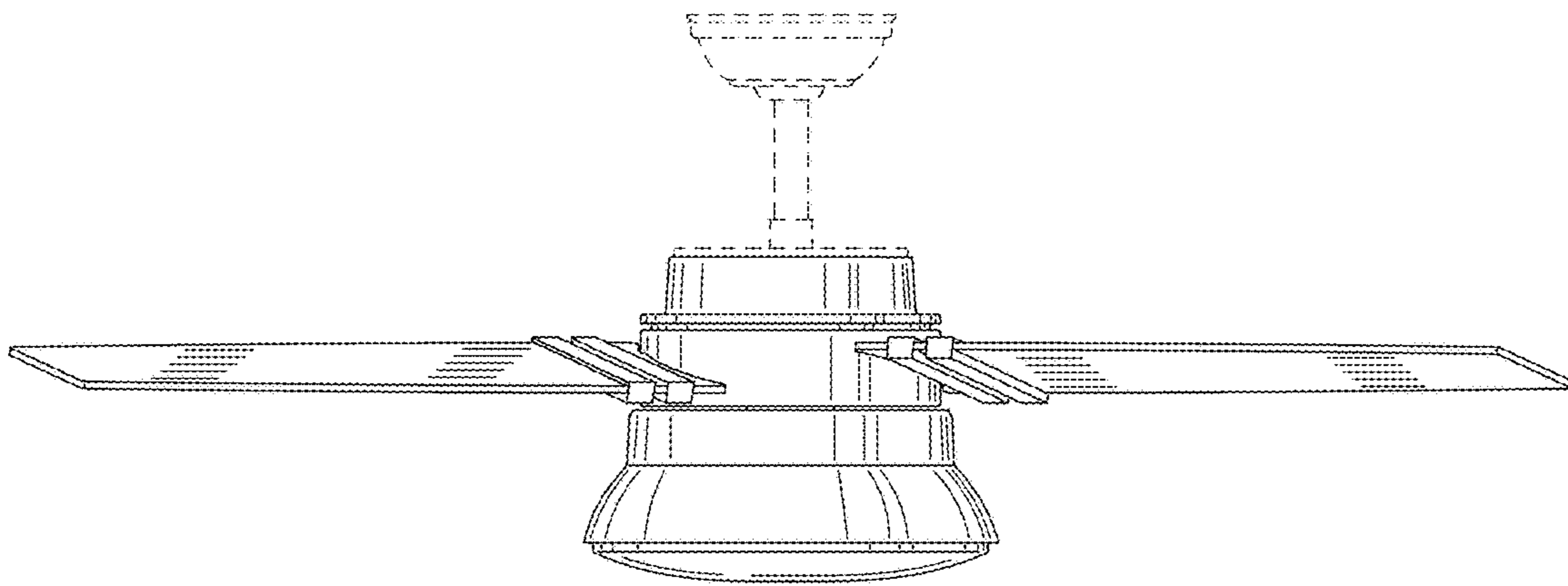


FIG. 6

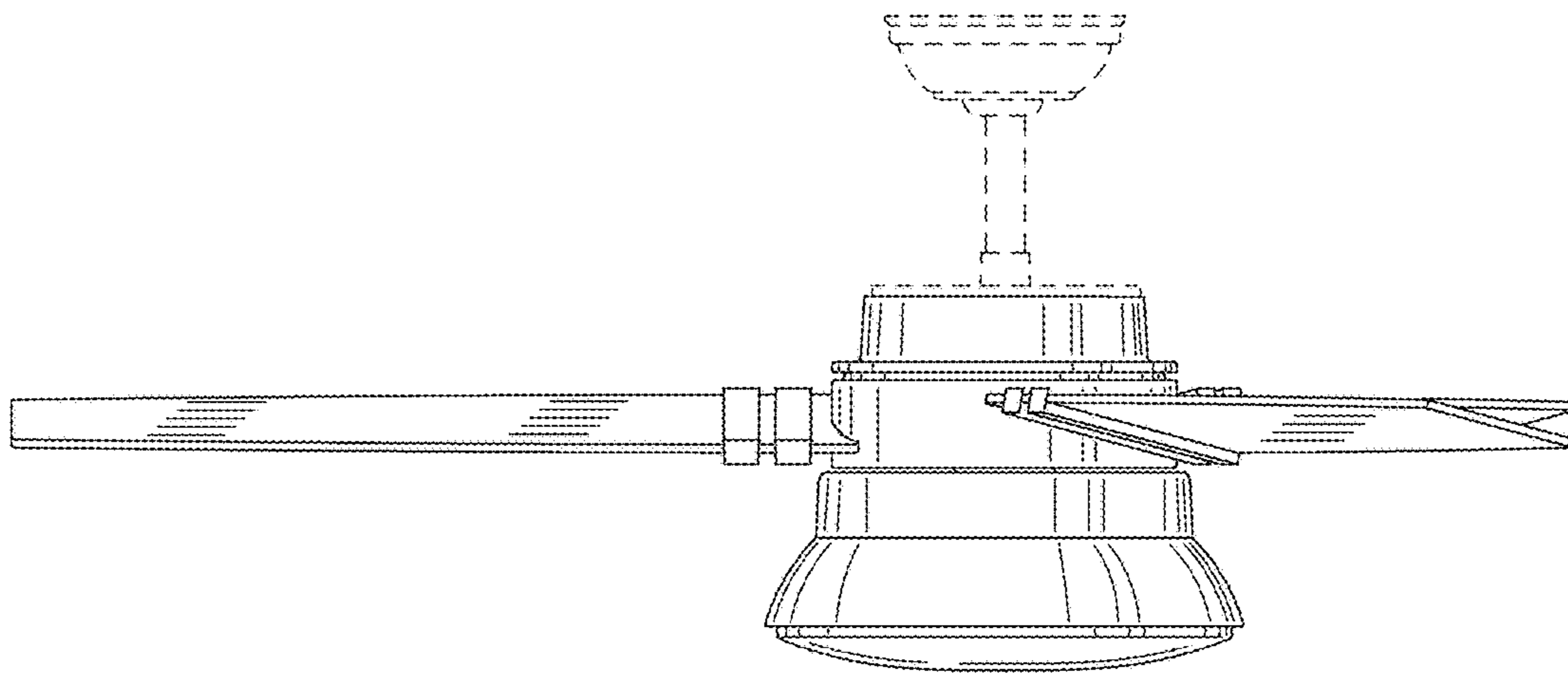


FIG. 7

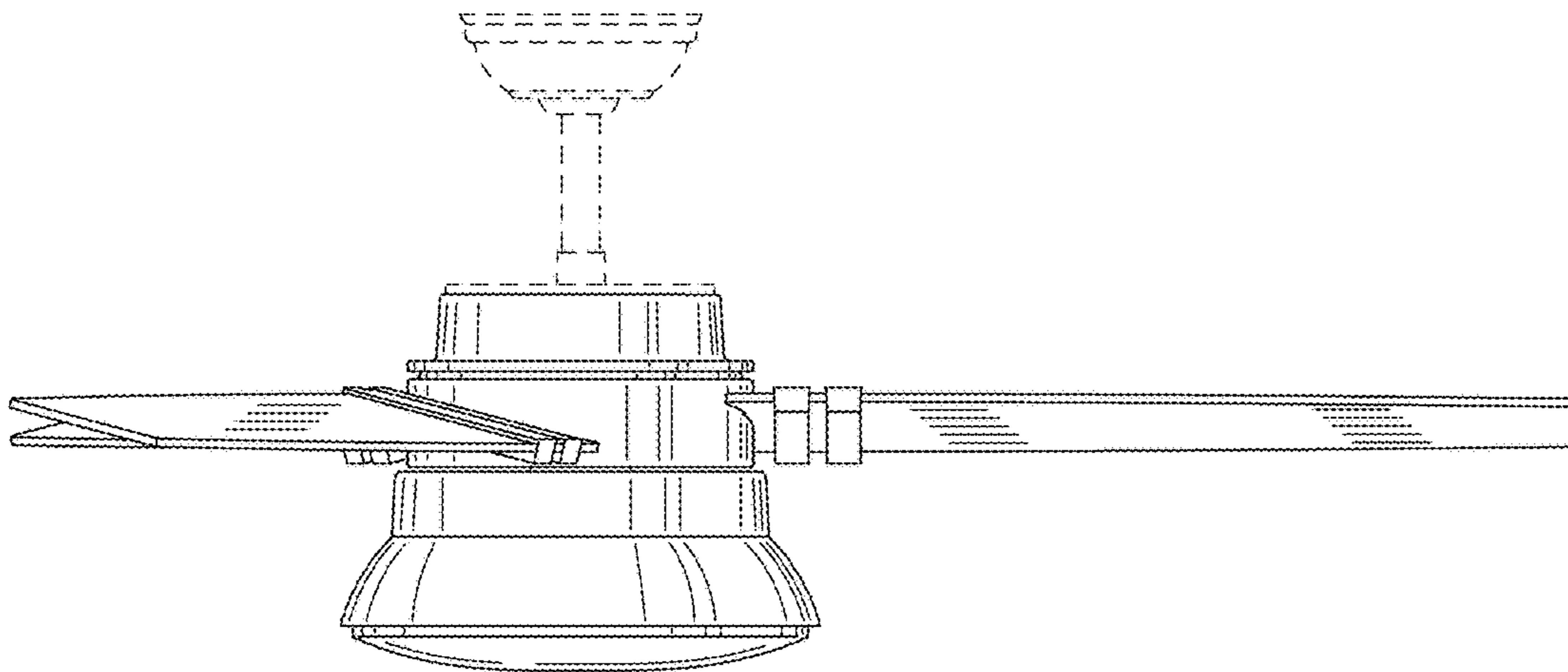


FIG. 8