



US00D798429S

(12) **United States Design Patent** (10) **Patent No.:** **US D798,429 S**  
**Yamazaki** (45) **Date of Patent:** **\*\* Sep. 26, 2017**

(54) **STEAMER FOR BEAUTY TREATMENT**

FOREIGN PATENT DOCUMENTS

(71) Applicant: **Ya-Man Ltd.**, Tokyo (JP)

JP D1268244 4/2006  
JP D1412854 5/2011

(72) Inventor: **Iwao Yamazaki**, Tokyo (JP)

OTHER PUBLICATIONS

(73) Assignee: **Ya-Man Ltd.**, Tokyo (JP)

Ya-Man Steamer found online [Apr. 29, 2017] <https://www.ya-man.com/export/products/hydrogenrichwatersteamer.html>.\*

(\*\*) Term: **15 Years**

\* cited by examiner

(21) Appl. No.: **29/548,901**

(22) Filed: **Dec. 17, 2015**

*Primary Examiner* — Robert M Spear

(51) **LOC (10) Cl.** ..... **23-04**

*Assistant Examiner* — John Voytek

(52) **U.S. Cl.**

(74) *Attorney, Agent, or Firm* — Norris McLaughlin & Marcus, P.A.

USPC ..... **D23/360**; D28/12

(58) **Field of Classification Search**

USPC ..... D23/332–336, 342, 351, 352, 355–366,  
D23/369, 370; D14/168, 170–172, 188,  
D14/496; D9/448, 686; D28/12

(57) **CLAIM**

CPC .... A62B 21/00; B01D 46/0002; B01D 46/10;  
F02M 35/04; F24F 13/20

I claim, the ornamental design a steamer for beauty treatment, as shown.

See application file for complete search history.

(56) **References Cited**

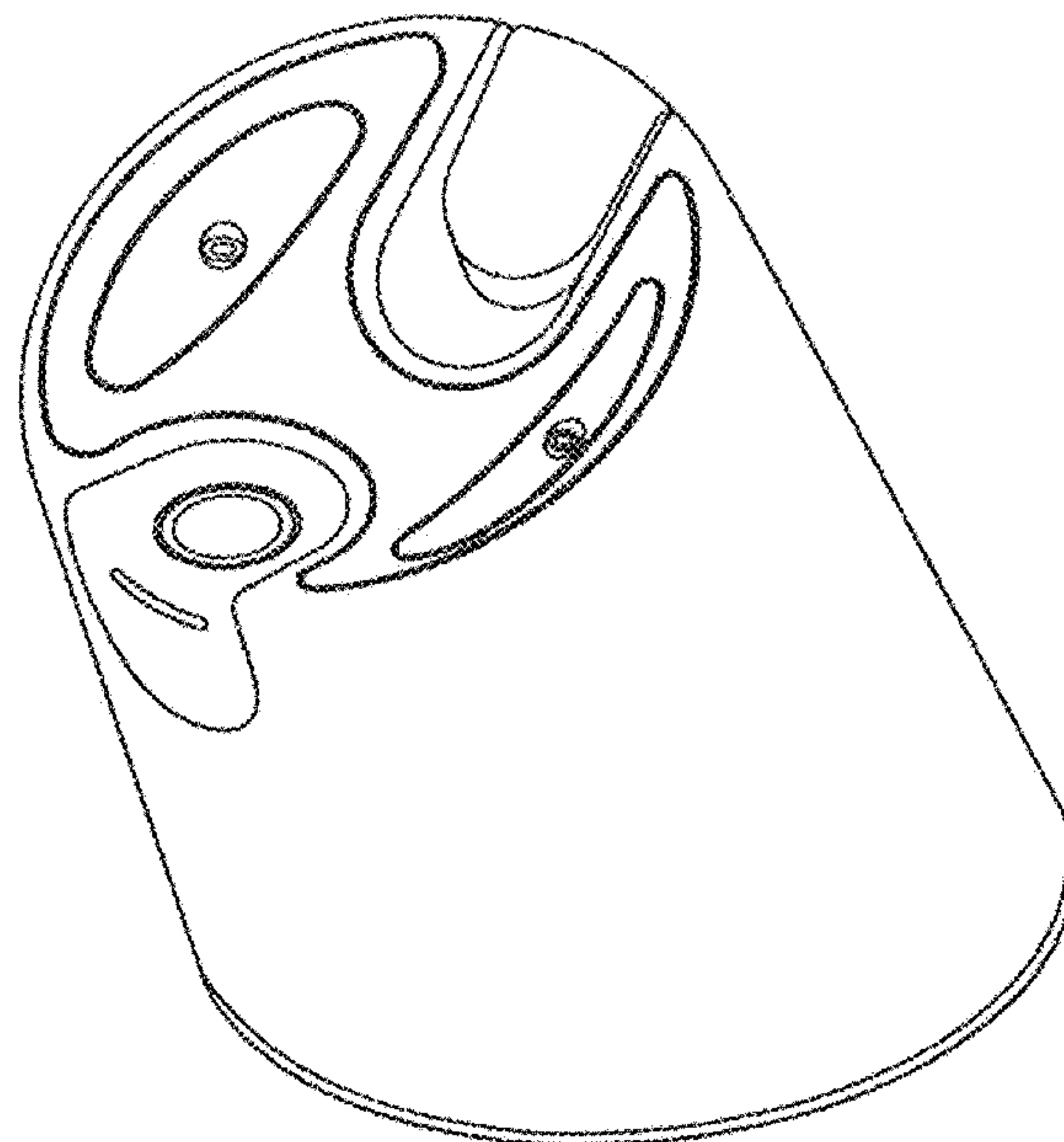
**DESCRIPTION**

U.S. PATENT DOCUMENTS

D362,296 S *	9/1995	Schmidt	.....	D23/364
D400,660 S *	11/1998	Picozza	.....	D23/355
D533,650 S *	12/2006	Ohta	.....	D23/360
D536,431 S *	2/2007	Campbell	.....	D23/356
D549,313 S *	8/2007	Kelnhofer	.....	D23/360
D634,417 S *	3/2011	Abbondanzio	.....	D23/366
D647,187 S *	10/2011	Chan	.....	D23/364
D692,413 S *	10/2013	Holzer	.....	D14/215
D707,338 S *	6/2014	Ediger	.....	D23/356
D729,921 S *	5/2015	Poindexter	.....	D23/364
2016/0114278 A1 *	4/2016	Yu	.....	B01D 46/0086 55/473

FIG. 1 is a front elevational view of a steamer for beauty treatment showing my new design;  
FIG. 2 is a top plan view thereof;  
FIG. 3 is a right side elevational view thereof;  
FIG. 4 is a back elevational view thereof;  
FIG. 5 is a bottom plan view thereof;  
FIG. 6 is a left side elevational view thereof;  
FIG. 7 is a top, front and right side perspective view thereof;  
and,  
FIG. 8 is a left side and back perspective view thereof.

**1 Claim, 8 Drawing Sheets**



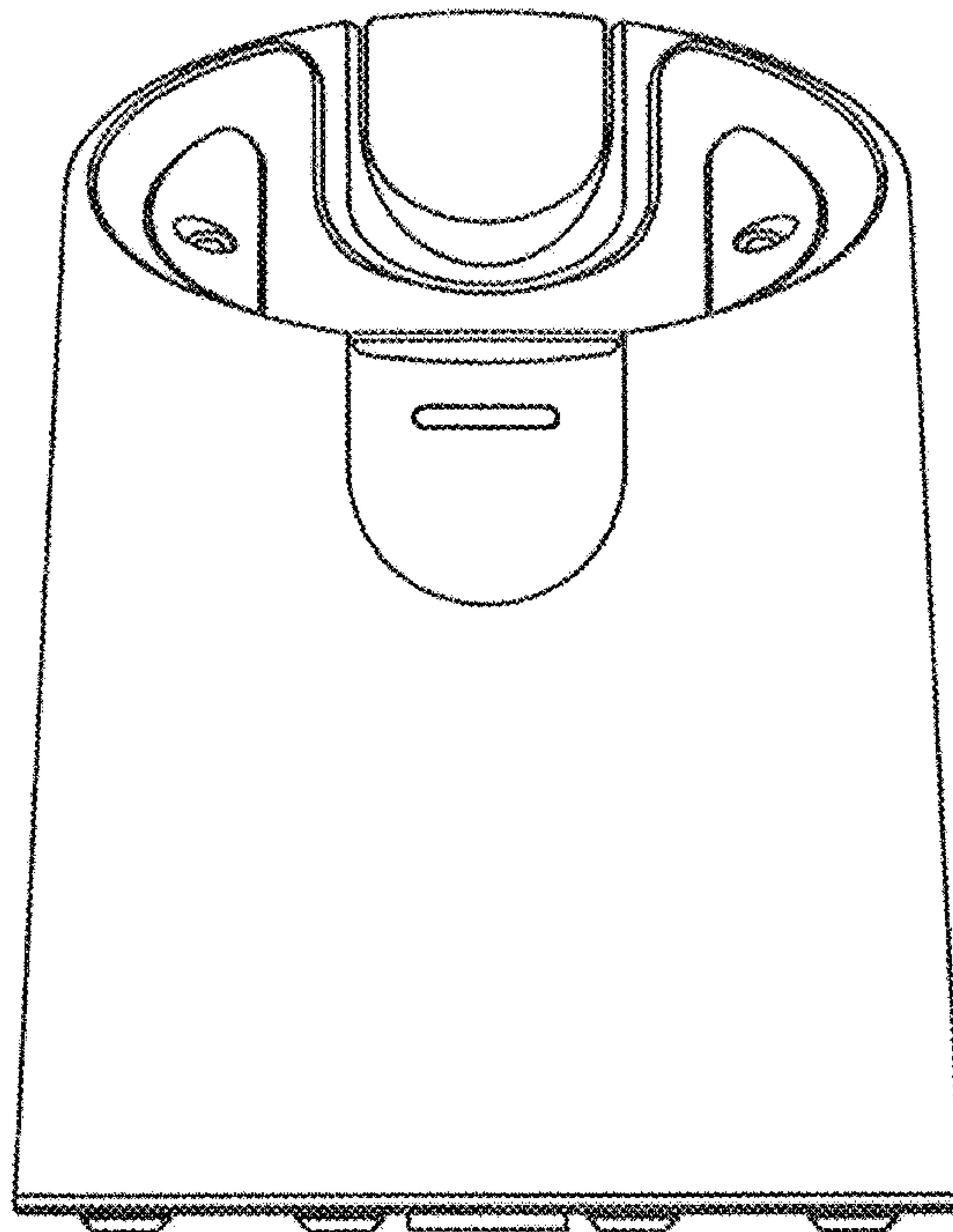


FIG. 1

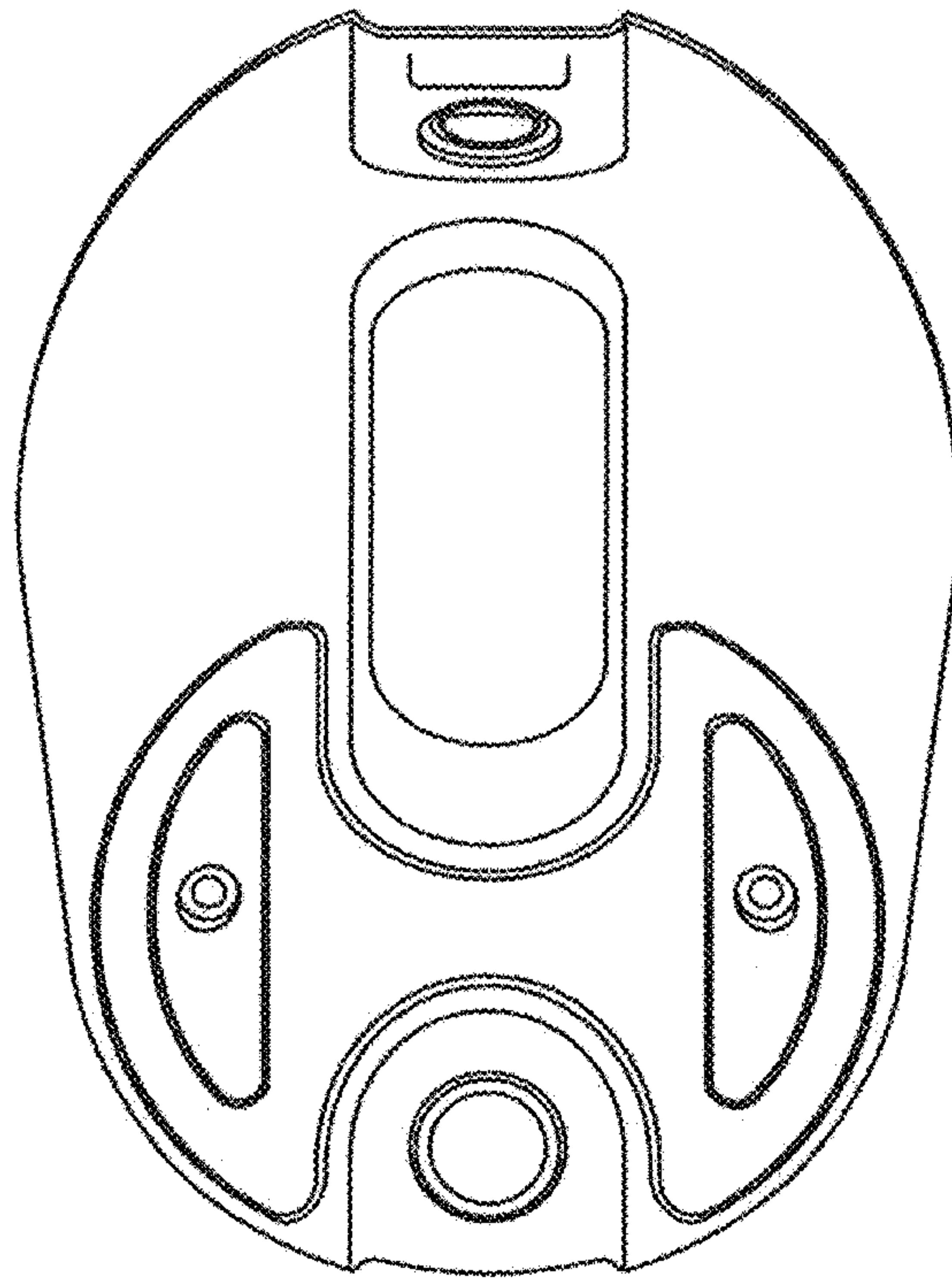


FIG. 2

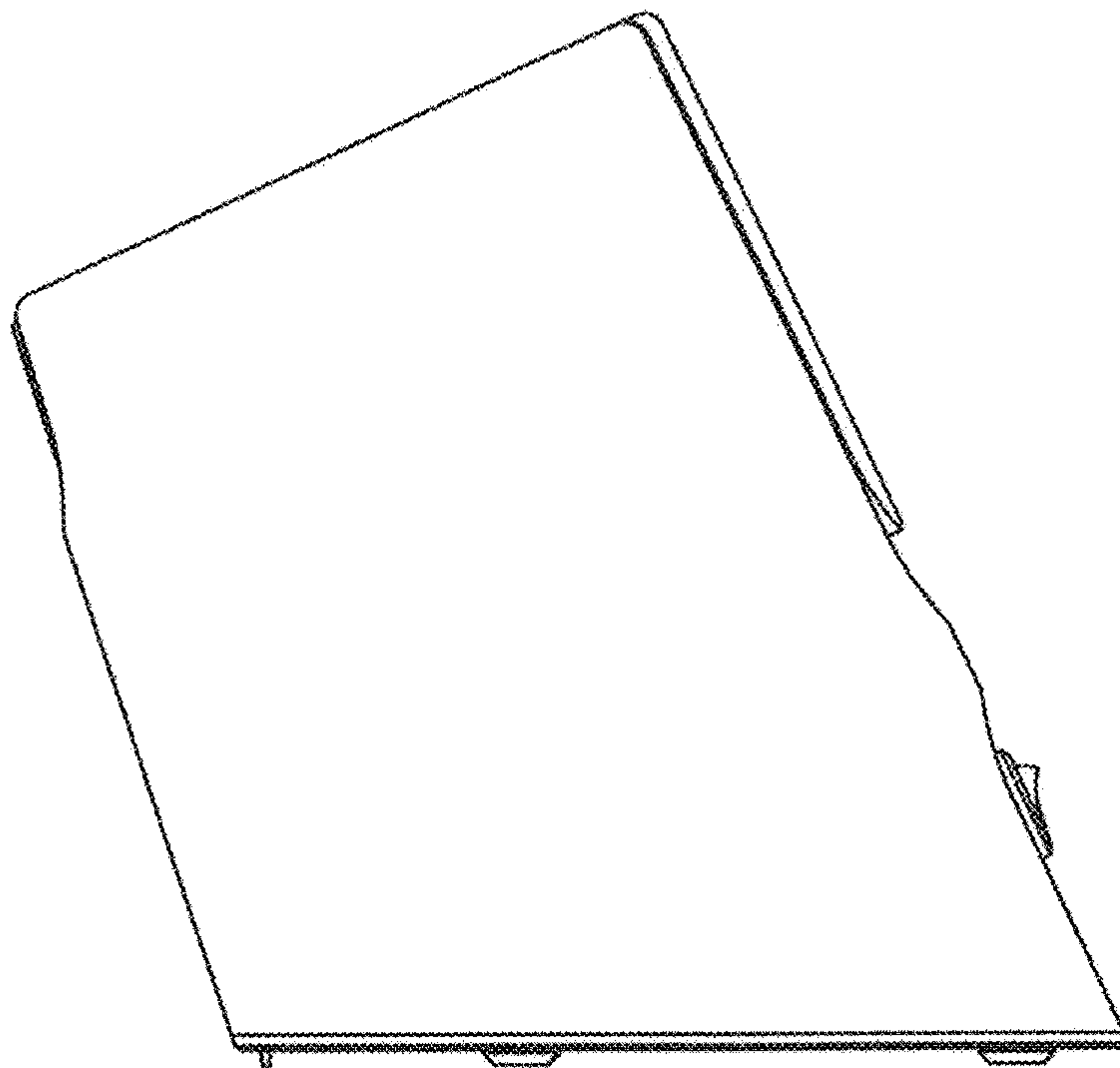


FIG. 3

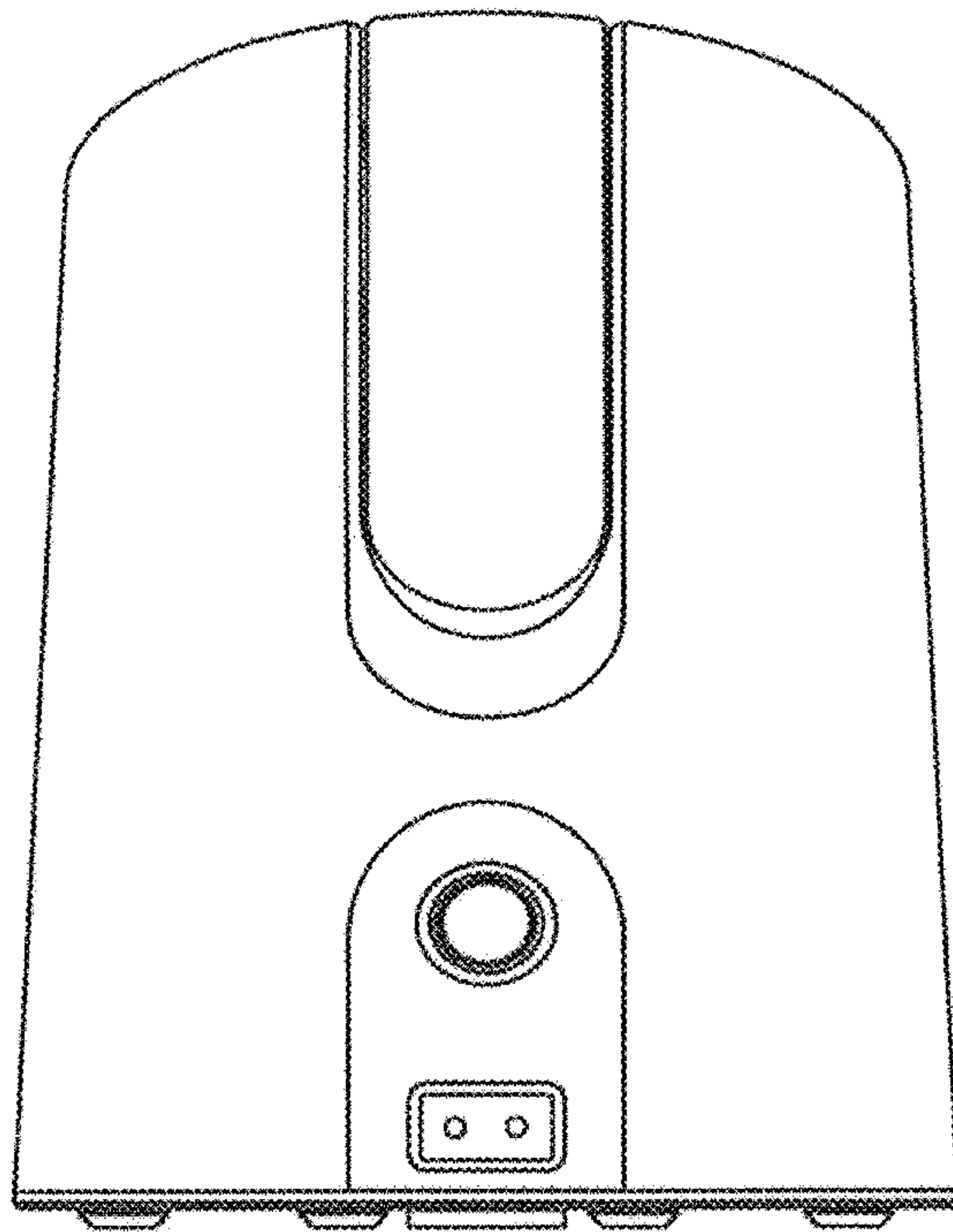


FIG. 4

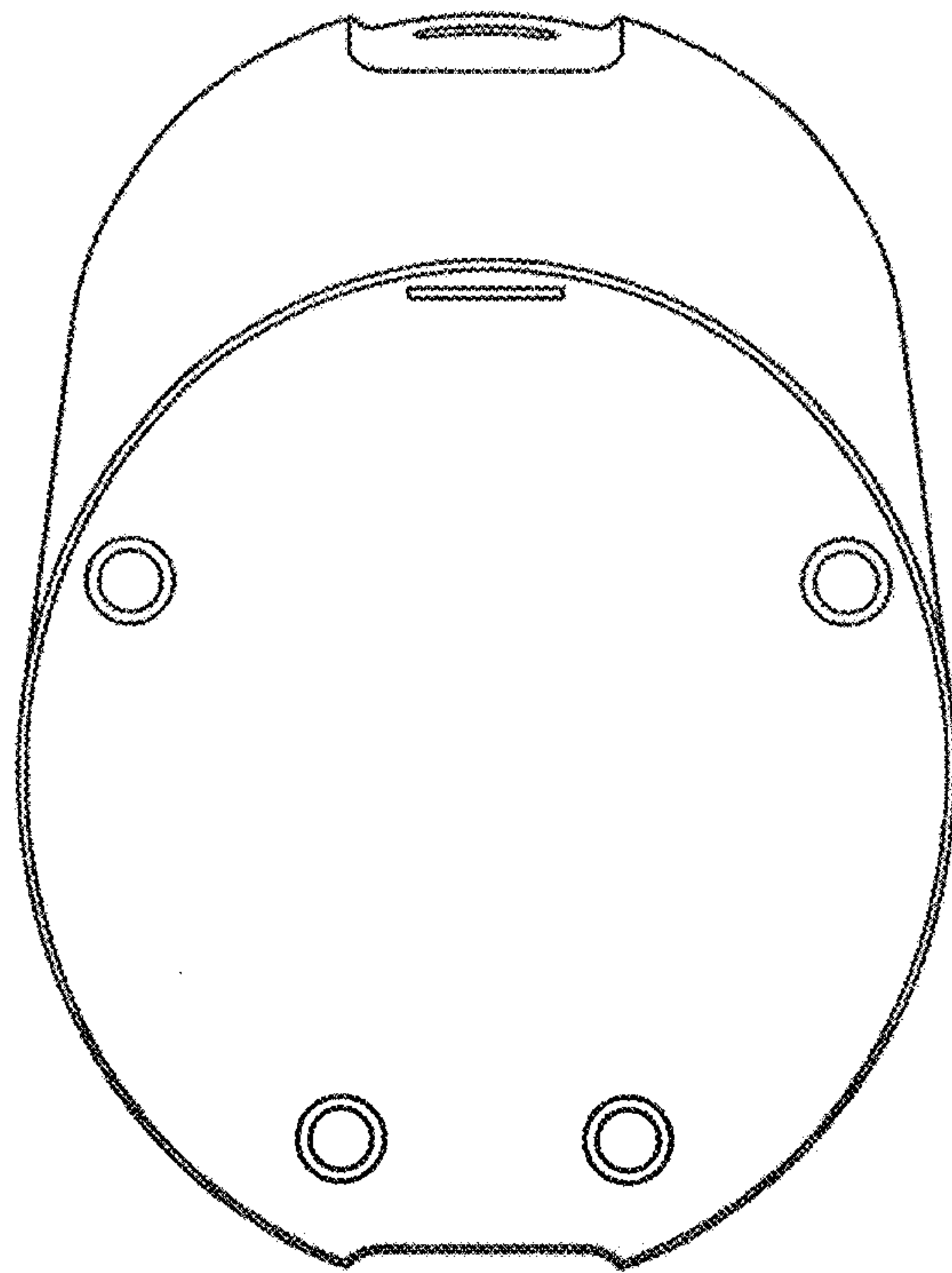


FIG. 5



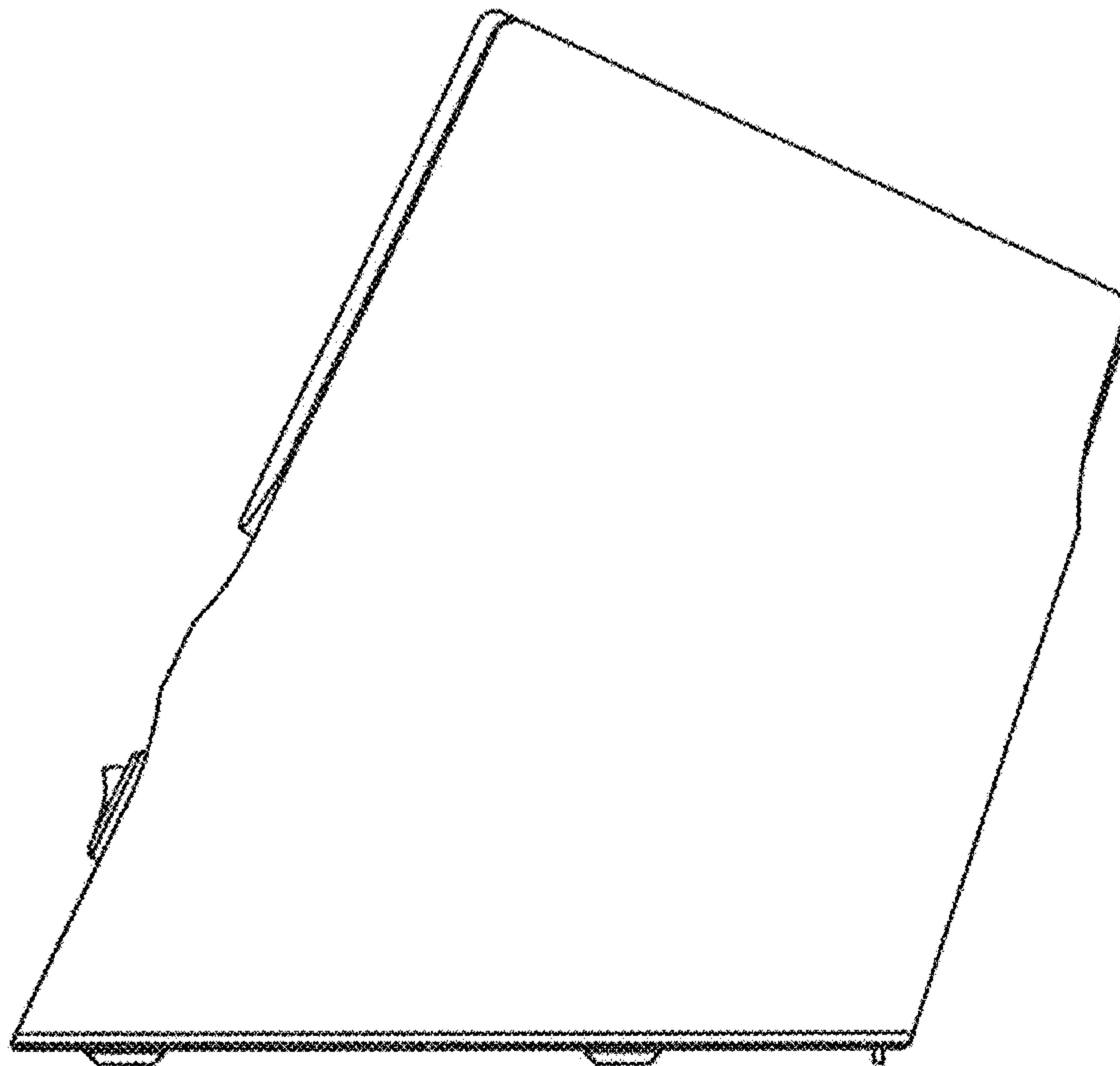


FIG. 6

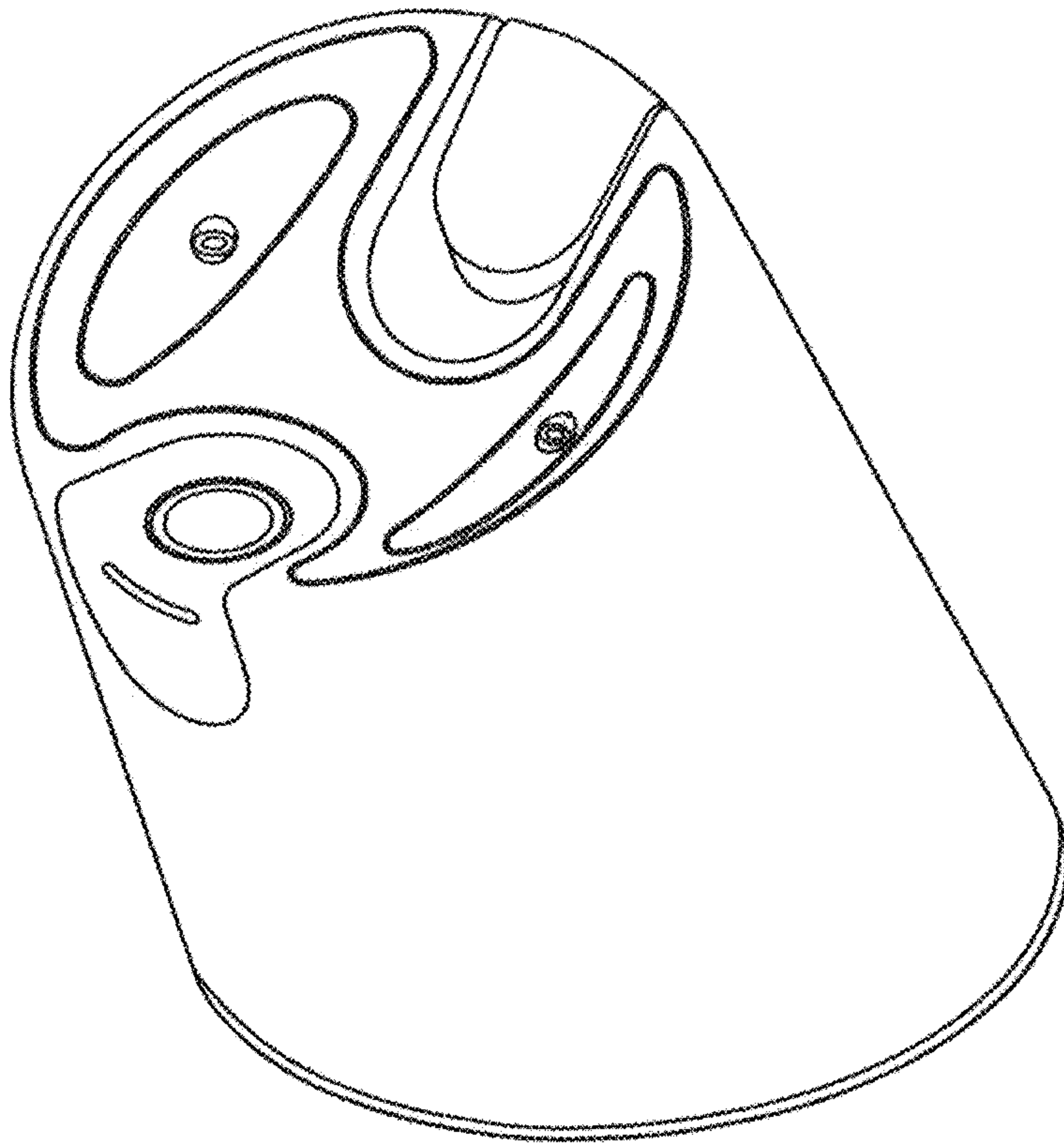


FIG. 7



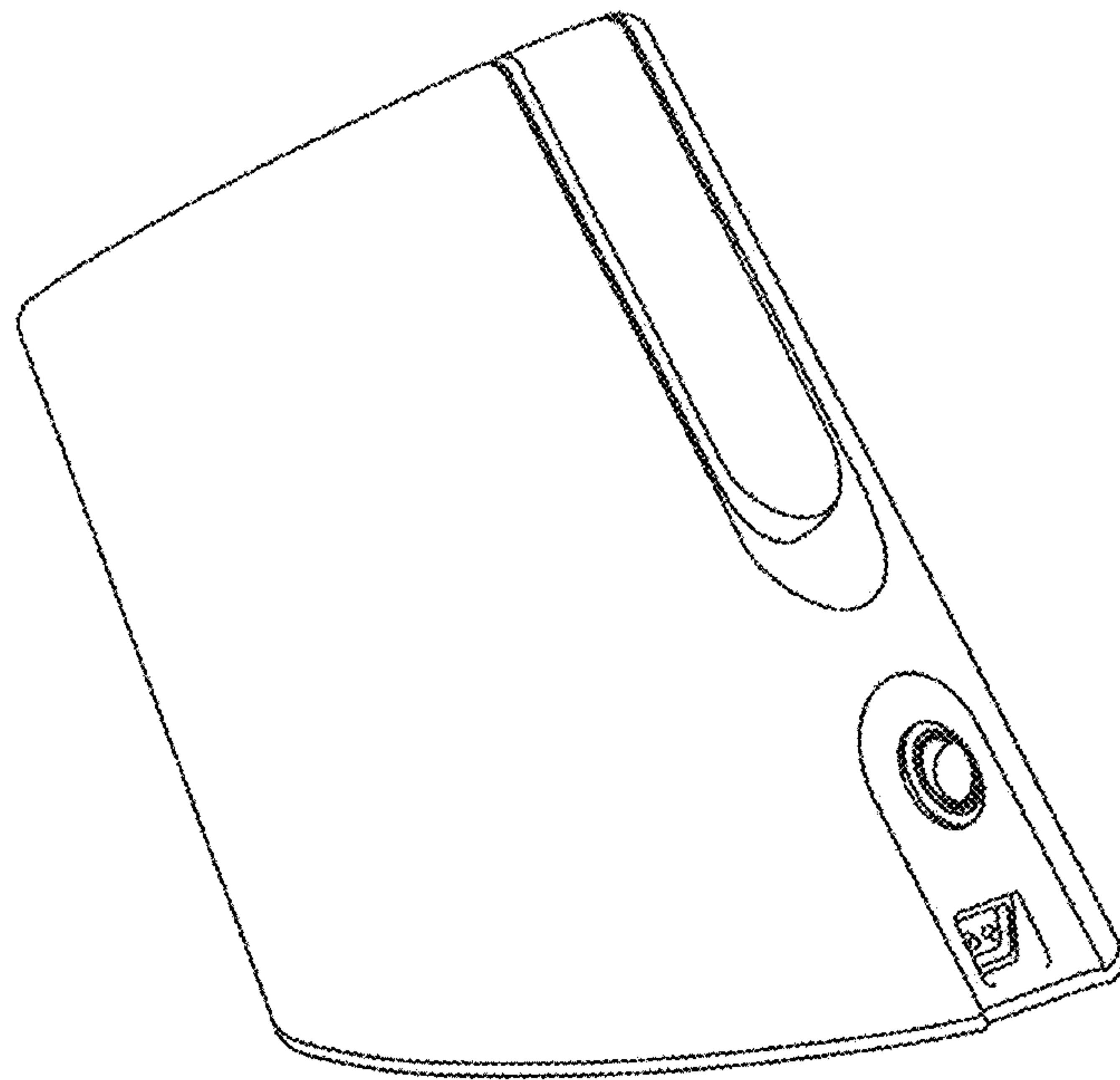


FIG. 8