



US00D798428S

(12) **United States Design Patent** (10) **Patent No.:** **US D798,428 S**
Cork et al. (45) **Date of Patent:** **** Sep. 26, 2017**

(54) **POSITIVE AIRWAY PRESSURE DELIVERY CONSOLE**

(71) Applicant: **ResMed Limited**, Bella Vista, New South Wales (AU)

(72) Inventors: **Simon Robert Cork**, Sydney (AU); **Sebastien Deubel**, Sydney (AU); **Fady Samy Latif Farag**, Sydney (AU); **Benjamin John Leavens**, Sydney (AU); **Jeremy William Workman**, Blue Mountains (AU)

(73) Assignee: **ResMed Limited**, Bella Vista (AU)

(**) Term: **15 Years**

(21) Appl. No.: **29/541,700**

(22) Filed: **Oct. 7, 2015**

(51) **LOC (10) Cl.** **23-04**

(52) **U.S. Cl.**
USPC **D23/360**

(58) **Field of Classification Search**
USPC D23/364, 366, 333, 332, 355, 356, 359, D23/209; D32/18
CPC B01D 46/02; B01D 46/00
See application file for complete search history.

(56) **References Cited**

U.S. PATENT DOCUMENTS

D280,765 S	9/1985	Alvino
D378,128 S	2/1997	Rozek et al.
D421,298 S	2/2000	Kenyon et al.
D436,401 S	1/2001	Remes et al.
D464,724 S	10/2002	Lynch et al.
D467,335 S	12/2002	Lithgow et al.

(Continued)

FOREIGN PATENT DOCUMENTS

EM	001312953-0001	3/2012
EM	001312953-0002	3/2012

(Continued)

OTHER PUBLICATIONS

U.S. Appl. No. 29/456,458, filed May 2013, Formica et al.

(Continued)

Primary Examiner — Kevin Rudzinski

(74) *Attorney, Agent, or Firm* — Nixon & Vanderhye P.C.

(57) **CLAIM**

The ornamental design for a positive airway pressure delivery console, as shown and described.

DESCRIPTION

FIG. 1 is a front perspective view of a positive airway pressure delivery console showing a first embodiment of our new design;

FIG. 2 is a front view thereof;

FIG. 3 is a rear view thereof;

FIG. 4 is a top view thereof;

FIG. 5 is a bottom view thereof;

FIG. 6 is a left side view thereof;

FIG. 7 is a right side view thereof;

FIG. 8 is a reverse perspective view thereof;

FIG. 9 is a front perspective view of a positive airway pressure delivery console showing a second embodiment of our new design;

FIG. 10 is a front view thereof;

FIG. 11 is a rear view thereof;

FIG. 12 is a top view thereof;

FIG. 13 is a bottom view thereof;

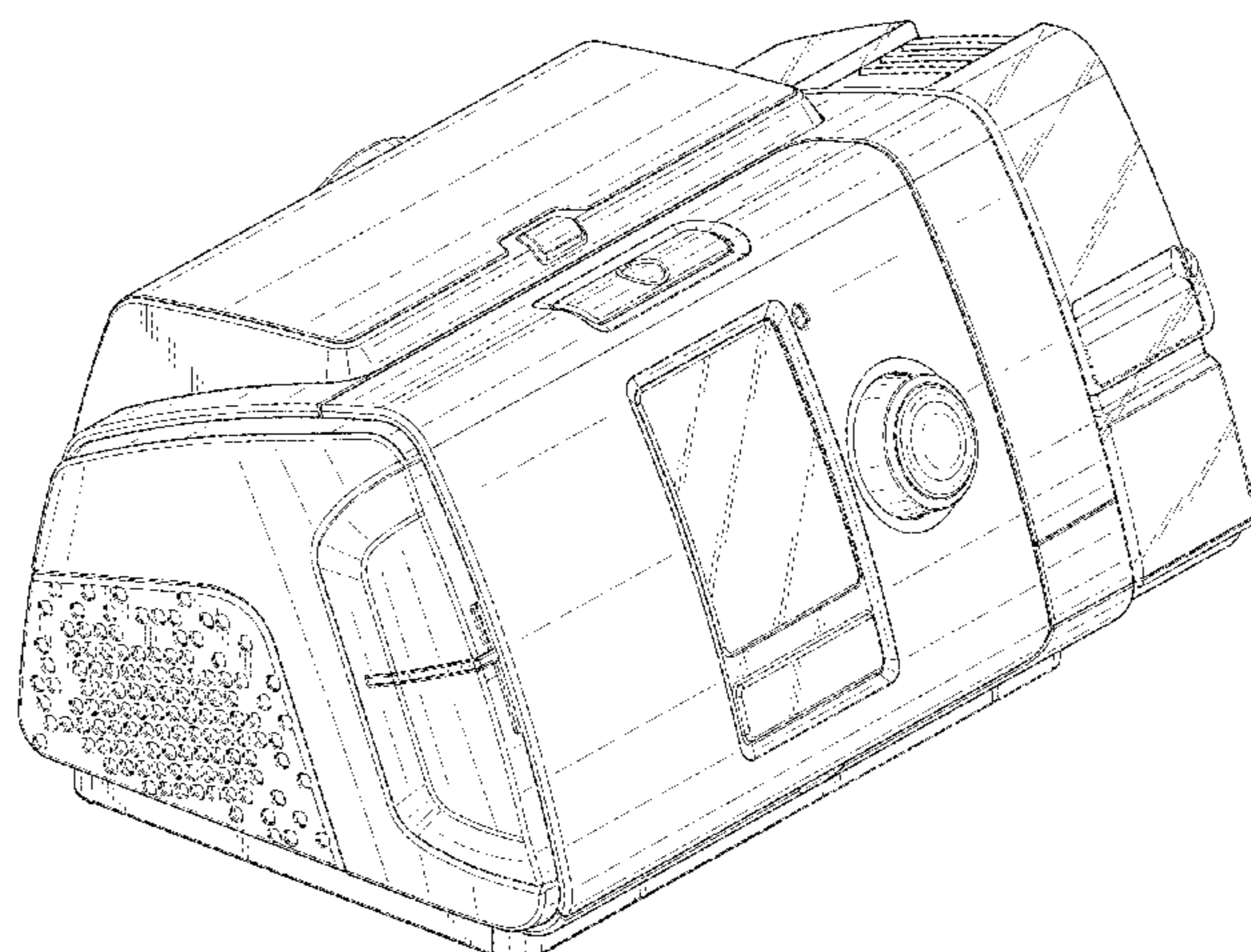
FIG. 14 is a left side view thereof;

FIG. 15 is a right side view thereof; and,

FIG. 16 is a reverse perspective view thereof.

The broken lines represent environmental structure or portions of the positive airway pressure delivery console and do not form a portion of the claimed design.

1 Claim, 16 Drawing Sheets



(56)

References Cited

U.S. PATENT DOCUMENTS

D476,077 S 6/2003 Lithgow et al.
 D493,520 S 7/2004 Bertinetti et al.
 D493,884 S 8/2004 Virr et al.
 D497,203 S 10/2004 Lithgow et al.
 D500,847 S 1/2005 Manke et al.
 D504,945 S 5/2005 Van Brunt et al.
 D544,598 S 6/2007 Lithgow et al.
 7,237,770 B2 7/2007 Lipscombe et al.
 D550,349 S 9/2007 Lithgow et al.
 D560,795 S 1/2008 Lithgow et al.
 D561,881 S 2/2008 Huang
 D561,890 S 2/2008 Lithgow et al.
 D561,891 S 2/2008 Lithgow et al.
 D570,473 S 6/2008 Hamaguchi et al.
 D572,355 S 7/2008 Gao
 D578,204 S 10/2008 Lithgow et al.
 D580,060 S 11/2008 Adams
 D585,131 S 1/2009 Trevor-Wilson et al.
 D585,540 S 1/2009 Lithgow et al.
 D590,494 S 4/2009 Lithgow et al.
 D592,301 S 5/2009 Cork et al.
 D594,102 S 6/2009 Israel et al.
 D597,186 S 7/2009 Campbell et al.
 D602,585 S 10/2009 Blackwell et al.
 D604,830 S 11/2009 Lithgow et al.
 D606,655 S 12/2009 Wilkinson et al.
 D607,107 S 12/2009 McCombs et al.
 D609,318 S 2/2010 Lam
 D610,250 S 2/2010 Neuner
 D611,593 S 3/2010 Lithgow et al.
 D612,480 S 3/2010 Cork et al.
 D614,286 S 4/2010 Lithgow et al.
 D620,102 S 7/2010 Klien et al.
 D621,031 S 8/2010 Lithgow et al.
 D627,044 S 11/2010 Virr et al.
 D628,288 S 11/2010 Row et al.
 D629,891 S 12/2010 Virr et al.
 D629,892 S 12/2010 Hill et al.
 D635,244 S 3/2011 Virr et al.
 D635,245 S 3/2011 Virr et al.
 D635,654 S 4/2011 Virr et al.
 D638,536 S 5/2011 Row et al.
 D638,537 S 5/2011 Virr et al.
 D638,933 S 5/2011 Hill et al.
 D643,114 S 8/2011 Virr et al.
 D650,479 S 12/2011 Row et al.
 D652,916 S 1/2012 Row et al.
 D652,917 S 1/2012 Hill et al.
 D655,813 S 3/2012 Row et al.
 D658,283 S 4/2012 Burz et al.
 D659,235 S 5/2012 Bertinetti et al.
 D671,209 S 11/2012 Row et al.
 D675,730 S 2/2013 Lithgow et al.
 8,375,945 B2 2/2013 Kepler et al.
 D677,789 S 3/2013 Row et al.
 D680,636 S 4/2013 Ching
 D682,406 S 5/2013 Yeom
 D682,441 S * 5/2013 Kim D24/216
 D685,896 S 7/2013 Niedermann et al.
 D693,005 S 11/2013 Nawata et al.
 D695,388 S 12/2013 Lithgow
 D696,393 S 12/2013 Lu
 8,631,789 B2 1/2014 Virr et al.
 D699,356 S 2/2014 Patil
 D702,353 S 4/2014 Fujimoto et al.
 D703,311 S 4/2014 Daly
 D707,338 S 6/2014 Ediger et al.
 D708,316 S 7/2014 Bertinetti et al.
 D710,989 S 8/2014 Bertinetti et al.
 D716,452 S 10/2014 Hutchison
 D719,248 S 12/2014 Smith, Jr. et al.
 D729,936 S * 5/2015 Reback D24/164
 D735,865 S 8/2015 Nishimura

D738,488 S * 9/2015 Formica D24/110
 D738,489 S * 9/2015 Formica D24/110
 D743,556 S * 11/2015 Bath D24/164
 D744,108 S 11/2015 Verma et al.
 D759,234 S 6/2016 Bertinetti
 D771,799 S * 11/2016 Formica D24/110
 D775,346 S * 12/2016 Bath D24/164
 D776,256 S * 1/2017 Formica D24/110
 2006/0106345 A1 5/2006 Flaker et al.
 2007/0169776 A1 7/2007 Kepler et al.
 2009/0123886 A1 5/2009 Vaska
 2009/0223514 A1 9/2009 Smith et al.
 2010/0116272 A1 5/2010 Row et al.
 2011/0017212 A1 1/2011 Kenyon et al.
 2011/0100363 A1 5/2011 Barclay et al.
 2011/0155132 A1 6/2011 Virr et al.
 2011/0180068 A1 7/2011 Kenyon et al.
 2012/0285454 A1 11/2012 Nibu et al.
 2012/0304994 A1 12/2012 Kwok
 2013/0008440 A1 1/2013 Maurer et al.
 2013/0011823 A1 1/2013 Hassanein et al.
 2013/0206140 A1 8/2013 Kepler et al.
 2013/0239961 A1 9/2013 Ross et al.
 2013/0263854 A1 10/2013 Taylor et al.
 2013/0280055 A1 10/2013 Daly et al.
 2014/0130802 A1 5/2014 Virr et al.
 2014/0202460 A1 7/2014 Bath et al.
 2014/0216459 A1 8/2014 Vos et al.
 2014/0246025 A1 9/2014 Cragg et al.
 2015/0273167 A1 10/2015 Feldhahn
 2015/0277733 A1 10/2015 Schwaibold
 2015/0335851 A1 11/2015 Cullen et al.
 2015/0359989 A1 12/2015 Potharaju et al.

FOREIGN PATENT DOCUMENTS

EM 001312953-0003 3/2012
 EM 001312953-0004 3/2012
 EM 001312953-0005 3/2012
 EP 2 703 034 A2 8/2013
 WO WO 2011/056080 A1 5/2011
 WO WO 2012/160477 A1 11/2012

OTHER PUBLICATIONS

U.S. Appl. No. 29/456,477, filed May 2013, Formica et al.
 U.S. Appl. No. 29/480,971, filed Jan. 2014, Desvoyes et al.
 U.S. Appl. No. 29/482,519, filed Feb. 2014, Bath et al.
 U.S. Appl. No. 29/502,152, filed Sep. 2014, Bertinetti et al.
 U.S. Appl. No. 29/485,313, filed Mar. 2014, Formica et al.
 U.S. Appl. No. 29/492,344, filed May 2014, Bertinetti et al.
 U.S. Appl. No. 29/534,540, filed Jul. 2015, Verma et al.
 U.S. Appl. No. 61/838,971, filed Jun. 2013, Huby et al.
 U.S. Appl. No. 61/987,245, filed May 2014, Foote et al.
 Office Action mailed Nov. 7, 2014 in Design U.S. Appl. No. 29/482,519 (5 pages).
 ResMed S9™ Series, No Other Sleep Therapy System Delivers, 2010 (12 pages).
 Philips Respironics, System One Sleep Therapy System, May 2012 (2 pages).
 Fisher & Paykel Healthcare, Icon Brochure, 2010 (2 pages).
 Fisher & Paykel Healthcare, Icon User Manual, Jan. 2010 (214 pages).
 Office Action mailed Dec. 4, 2014 in U.S. Appl. No. 29/456,477 (9 pages).
 Office Action mailed Dec. 3, 2014 in U.S. Appl. No. 29/456,458 (7 pages).
 U.S. Appl. No. 29/482,541, filed Feb. 2014, Verma et al.
 U.S. Office Action dated Jul. 5, 2016 issued in U.S. Appl. No. 29/502,152 (15 pages).
 Office Action mailed Jan. 20, 2016 in U.S. Appl. No. 29/515,282 (7 pages).

* cited by examiner

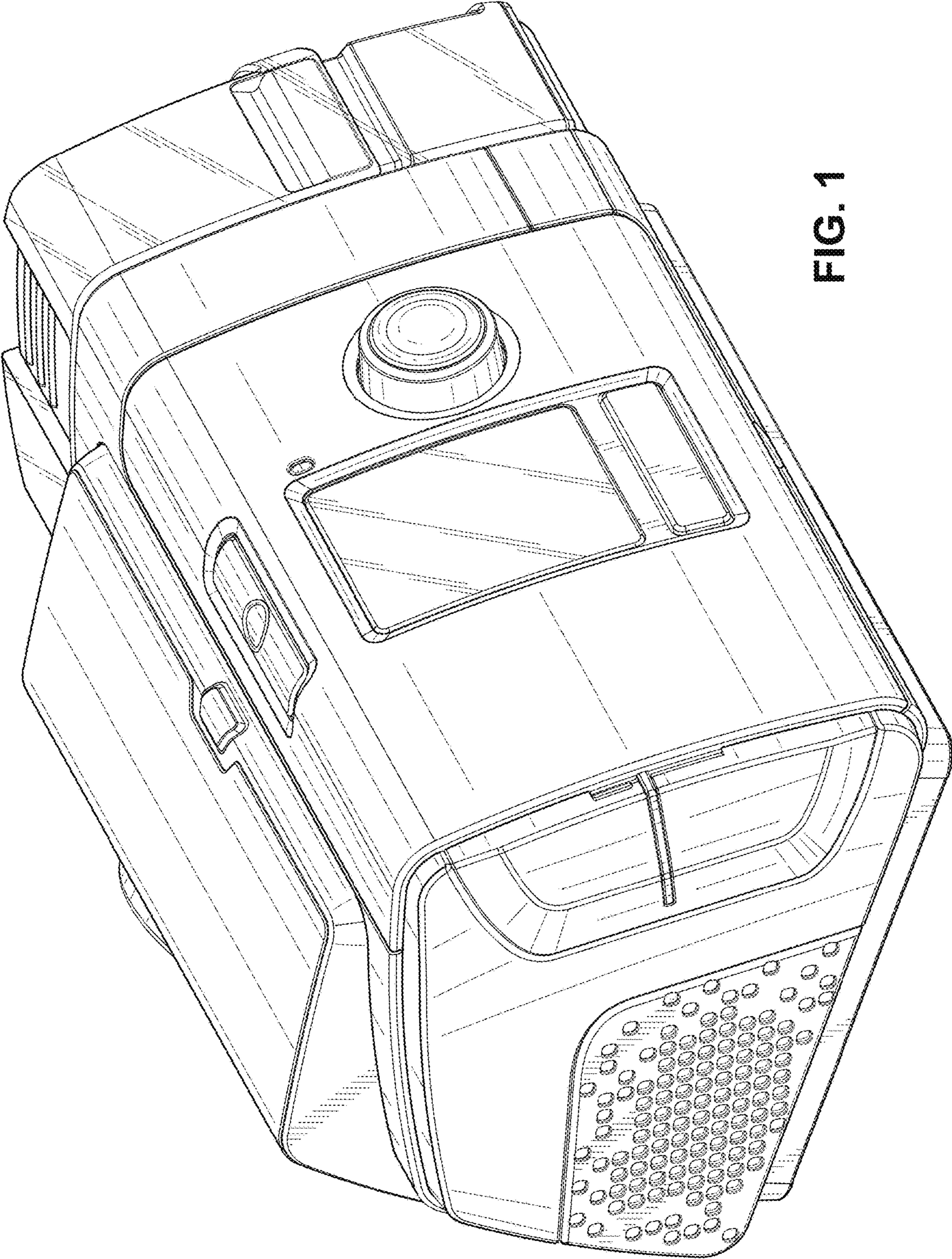


FIG. 1

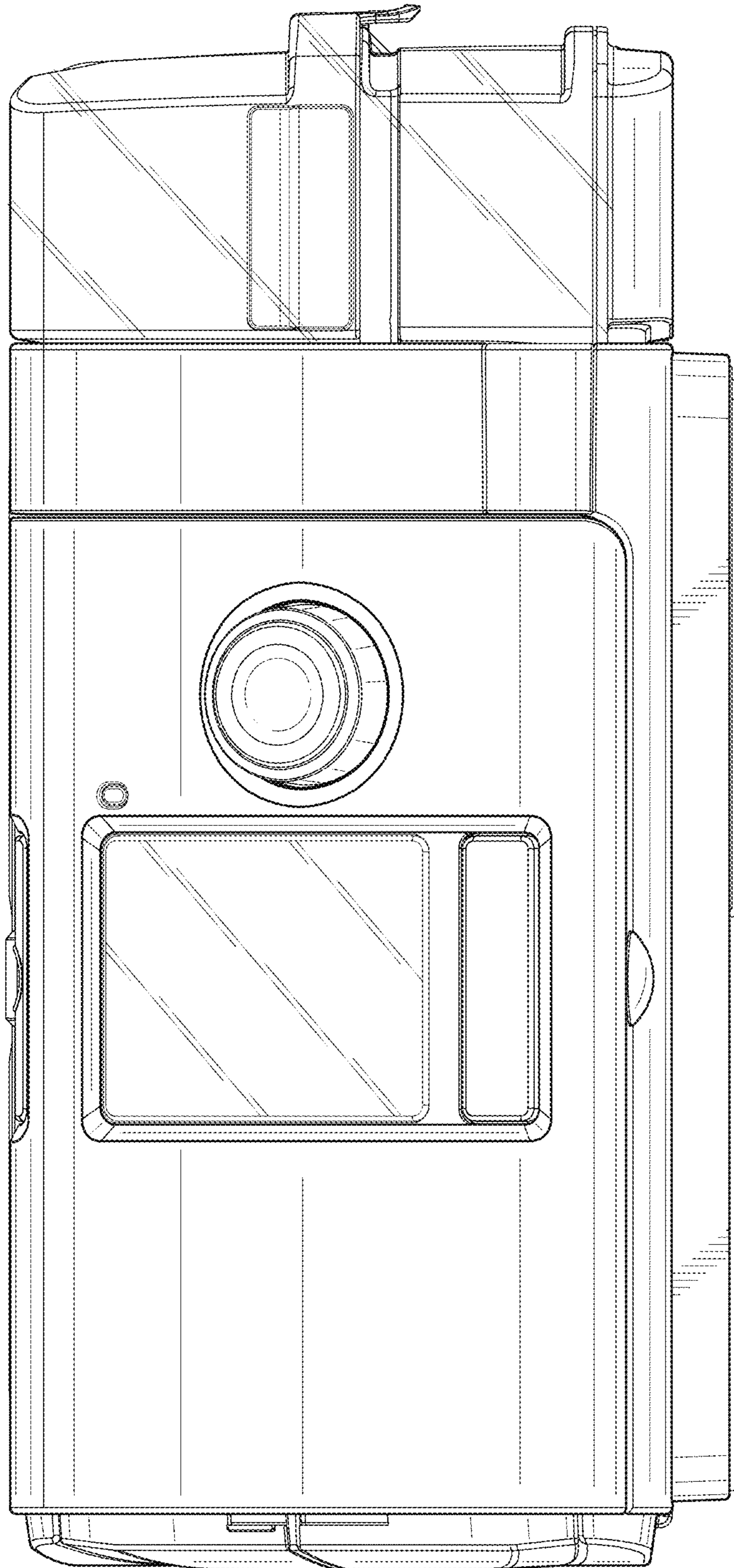


FIG. 2

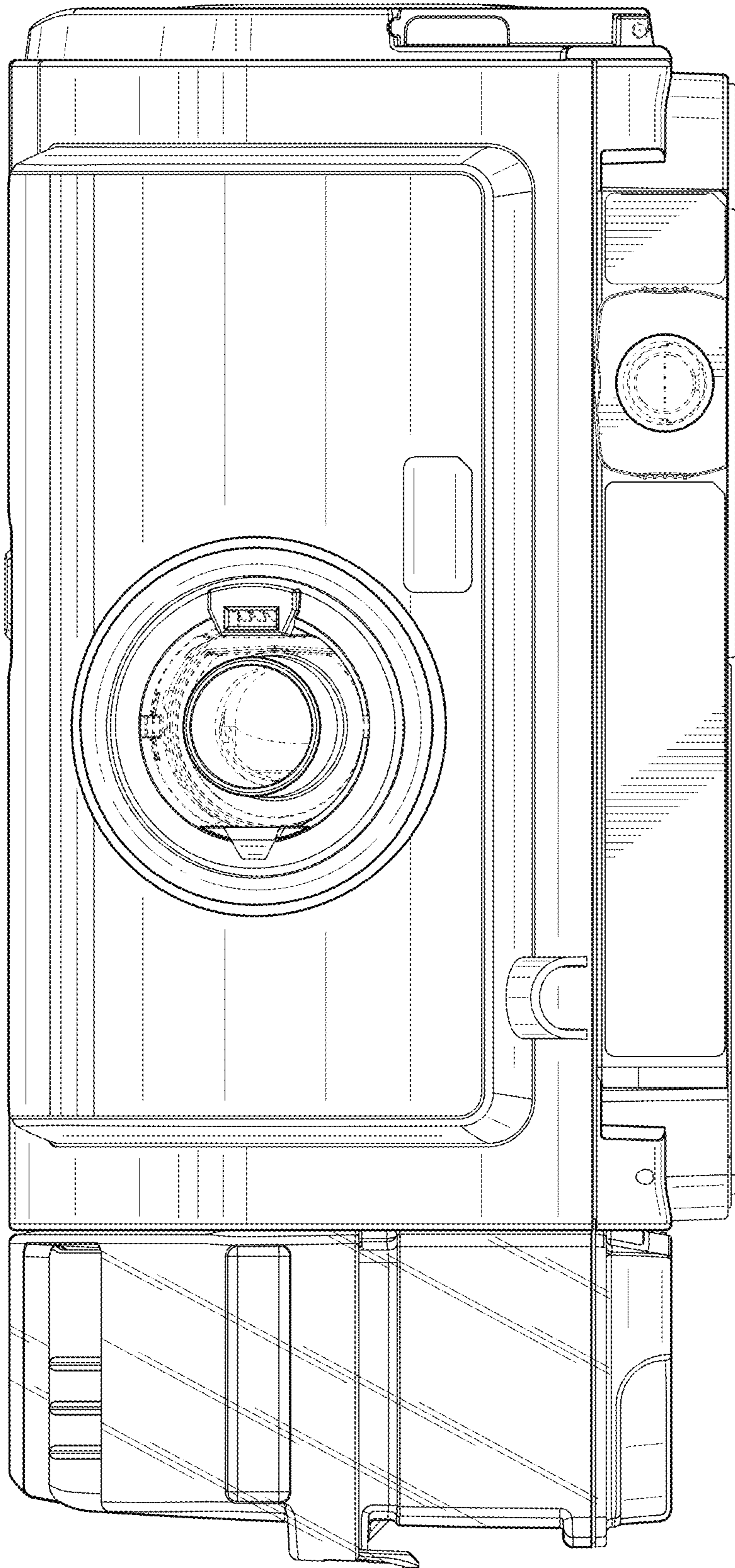


FIG. 3

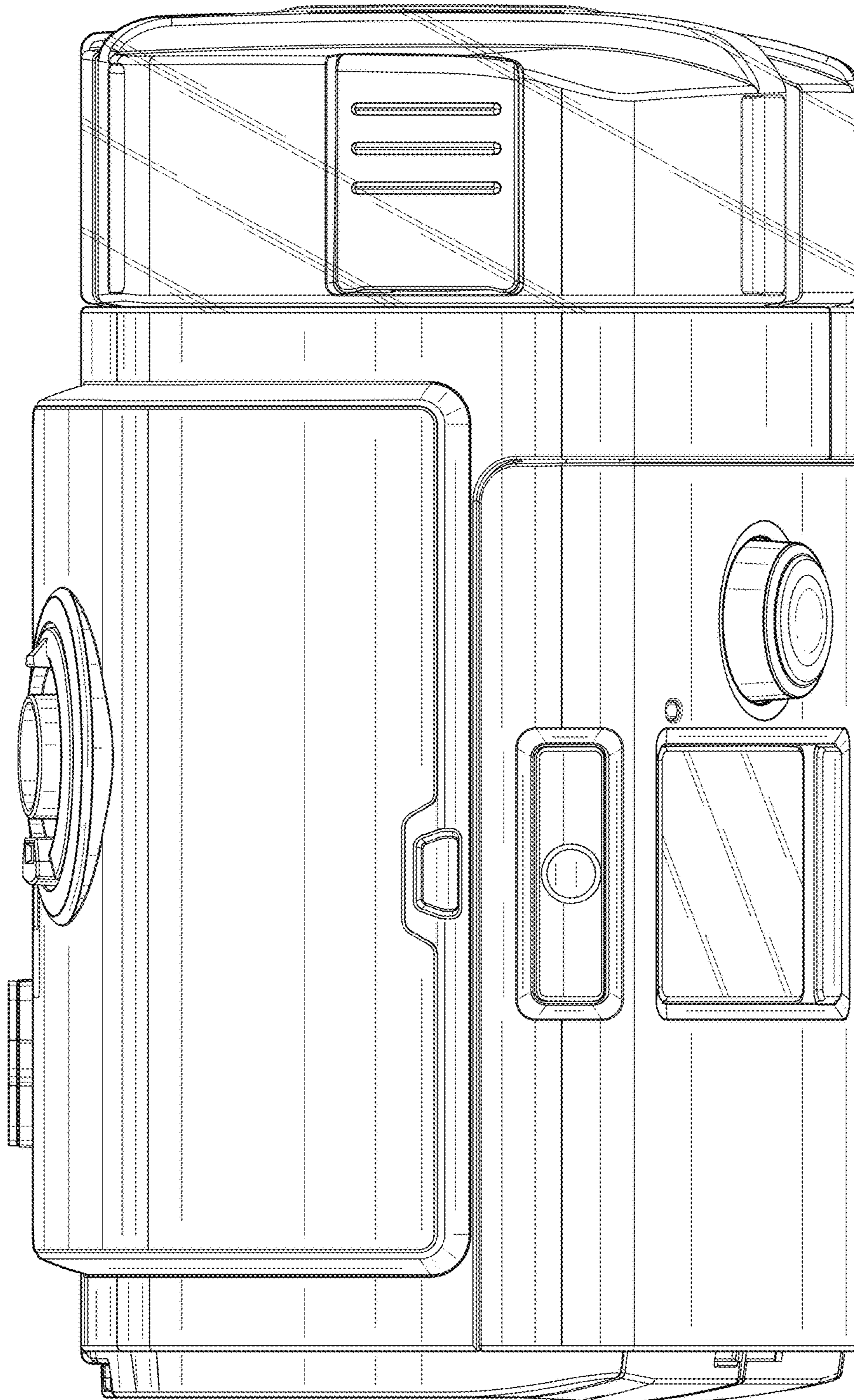


FIG. 4

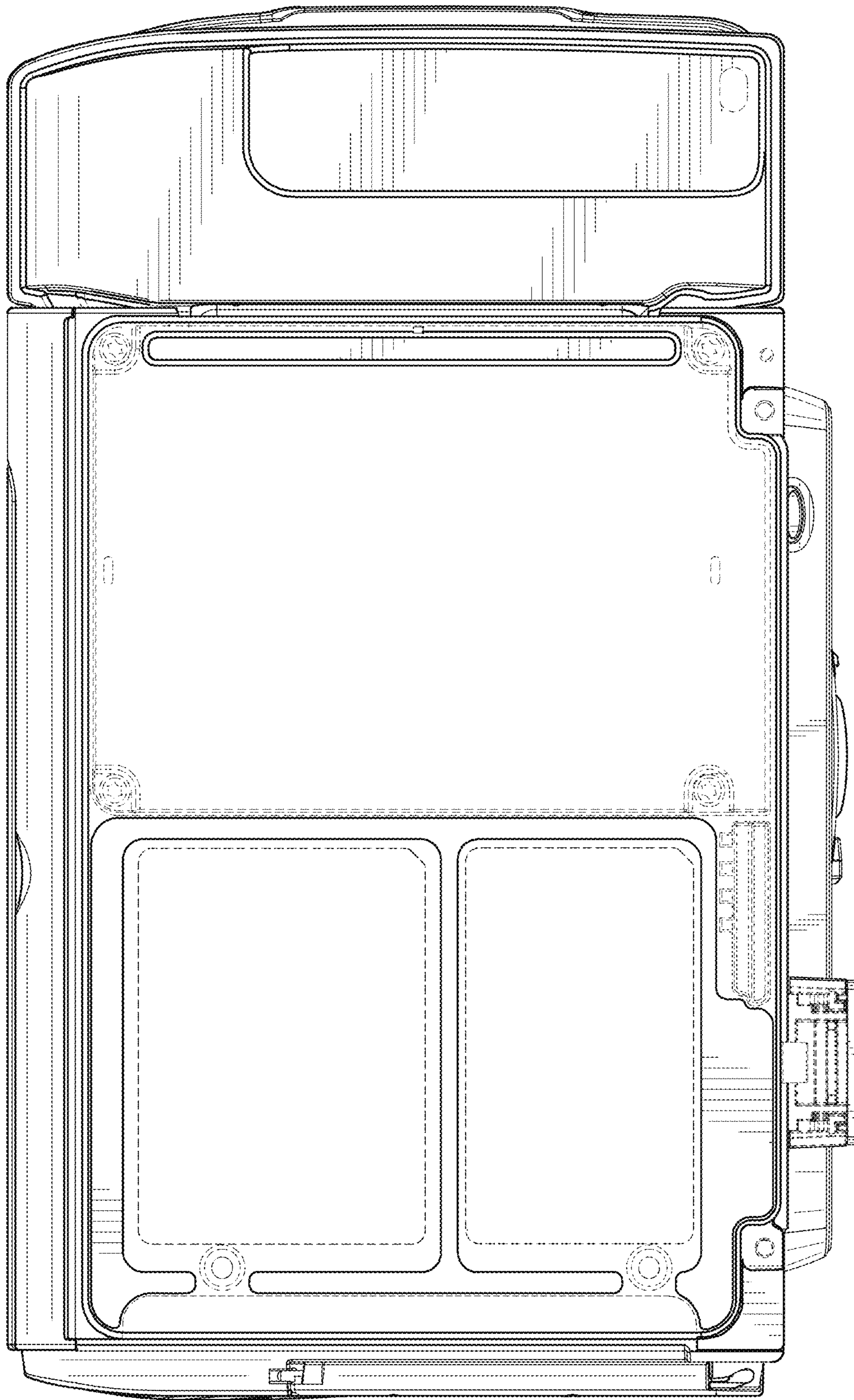


FIG. 5

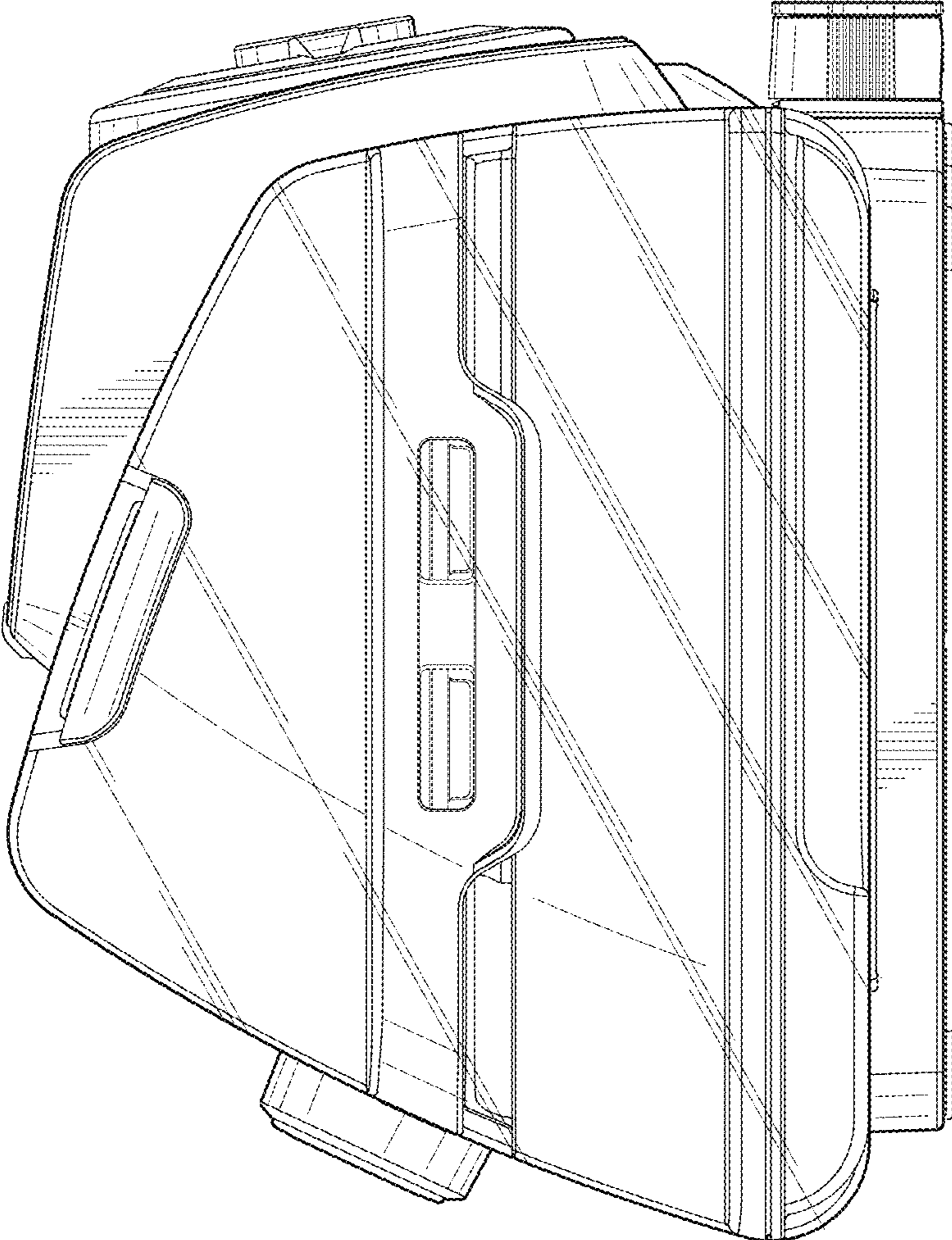


FIG. 6

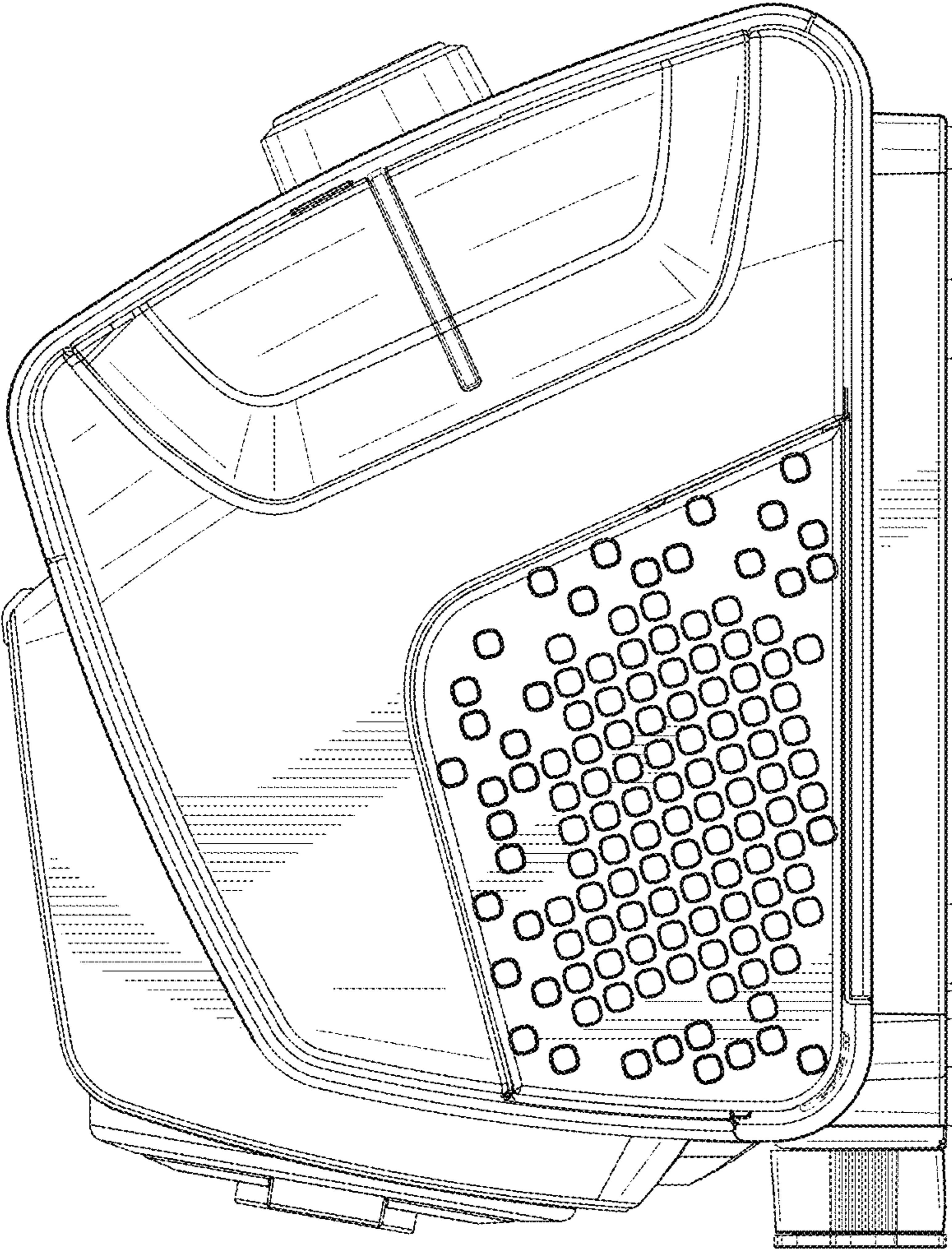


FIG. 7

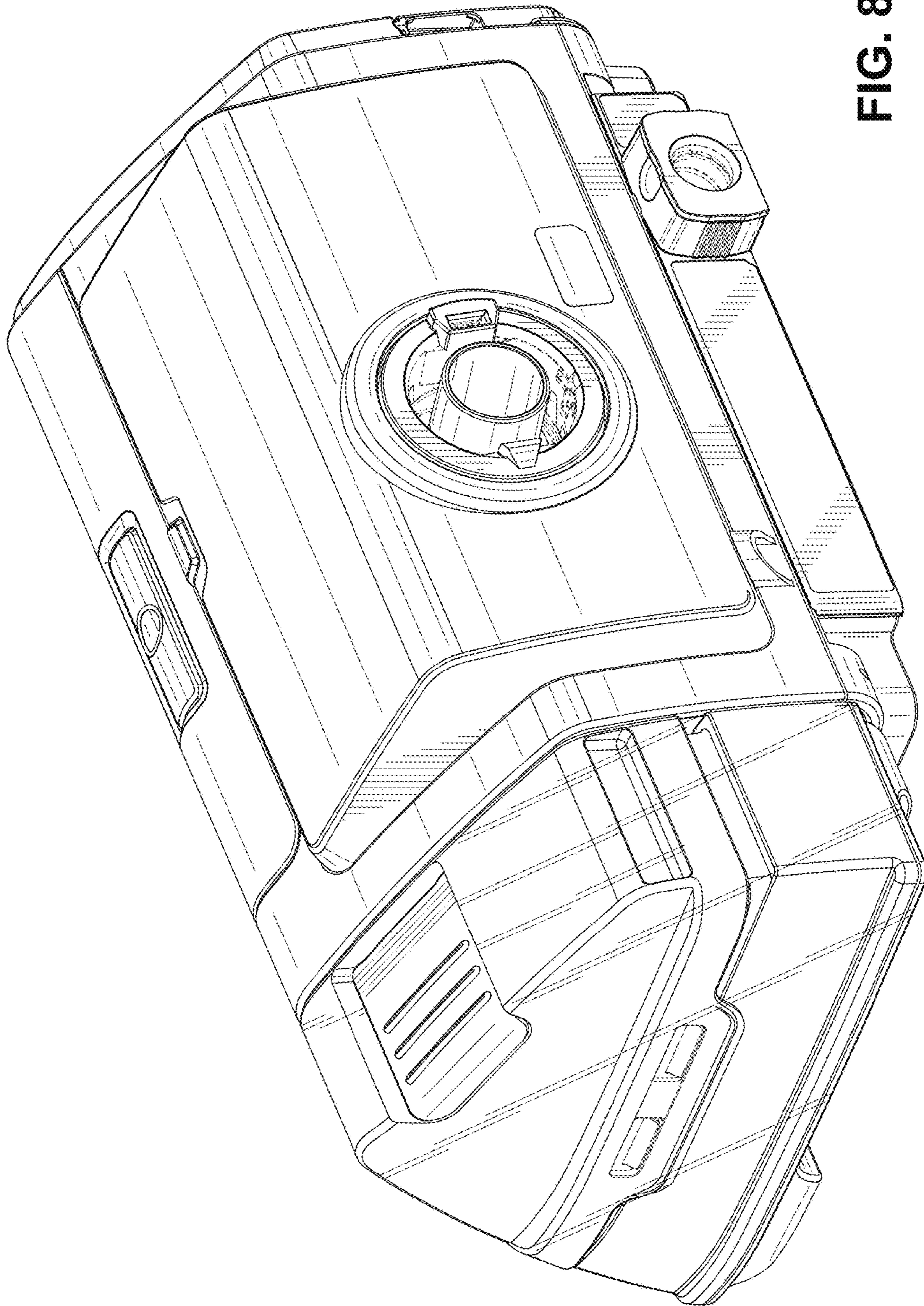


FIG. 8

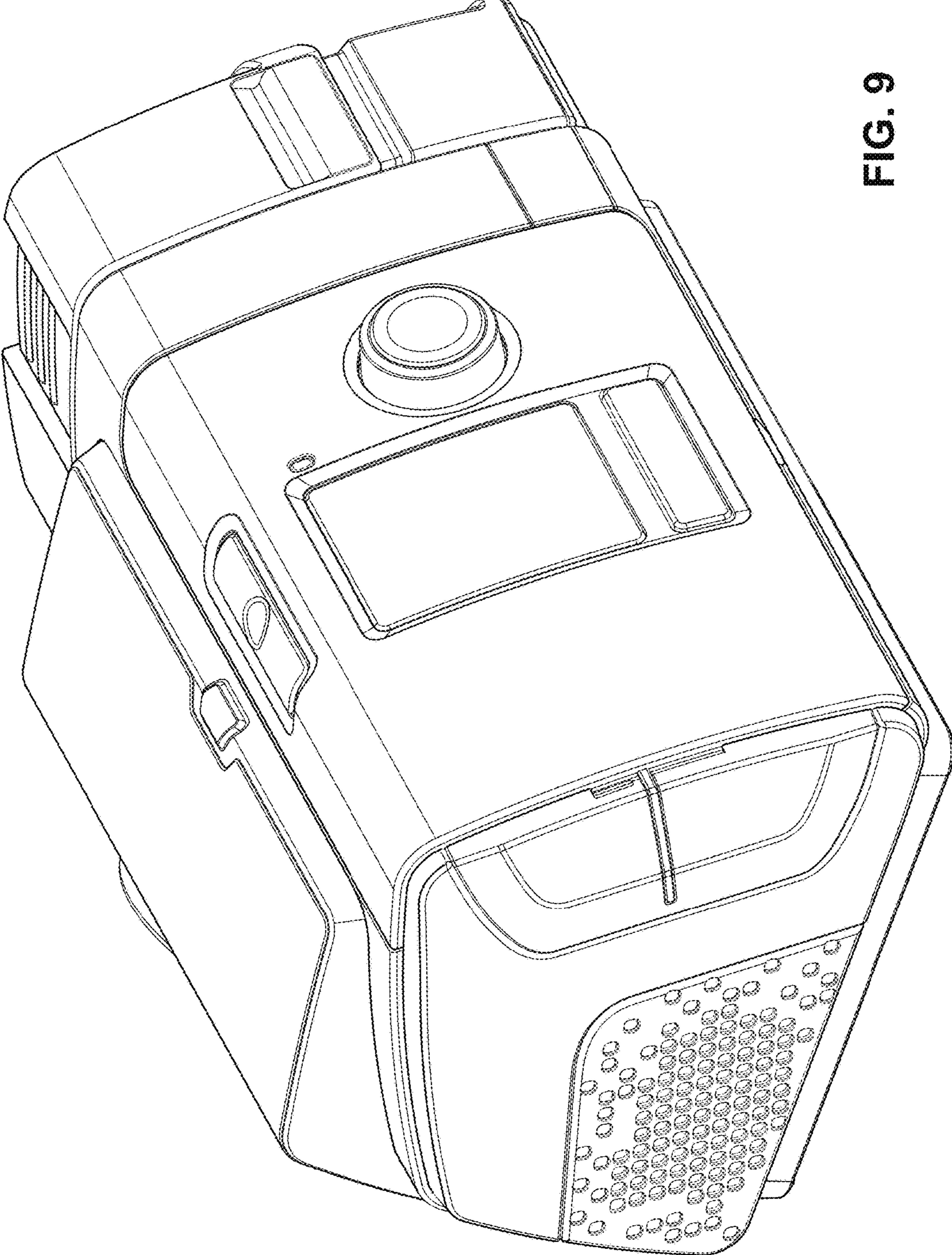


FIG. 9

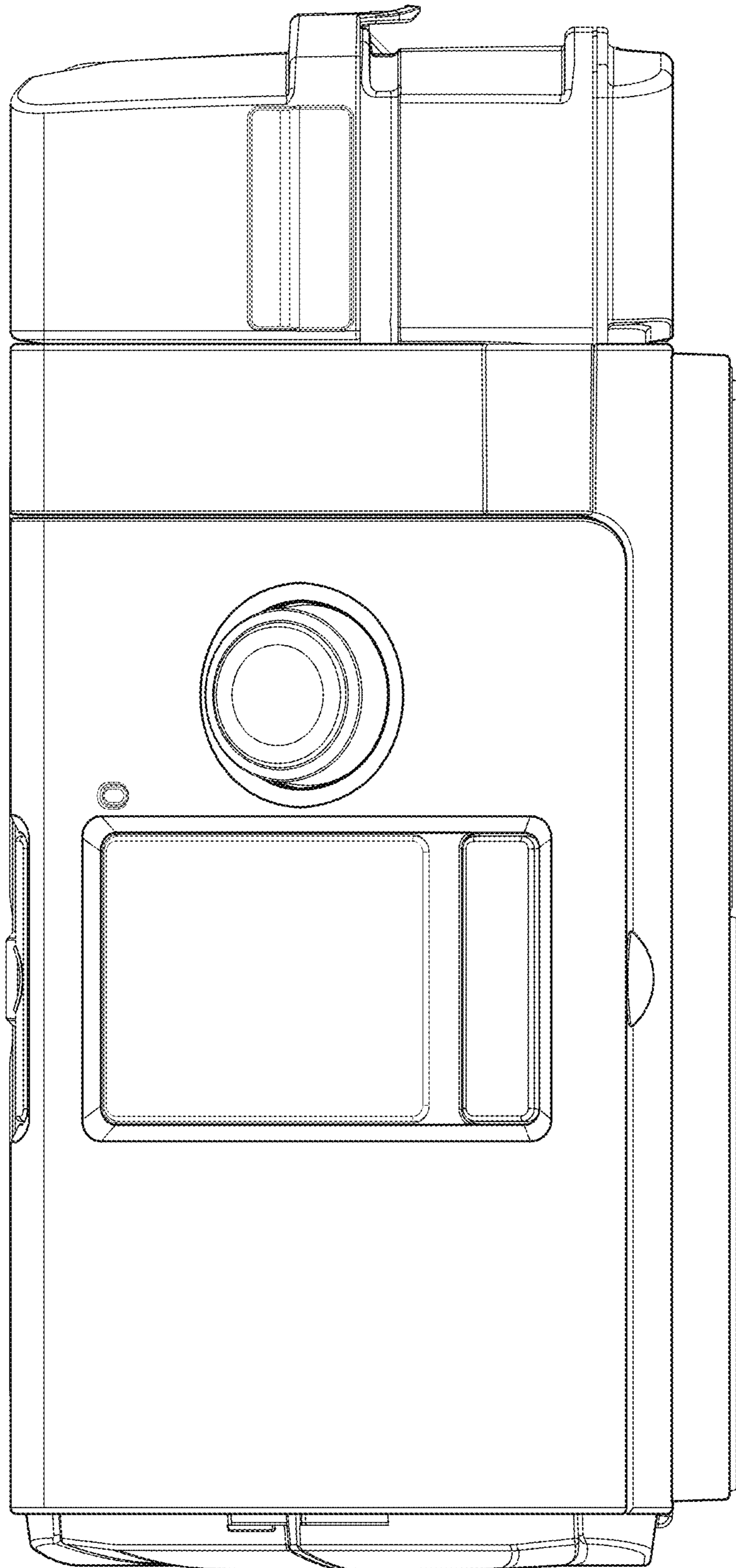


FIG. 10

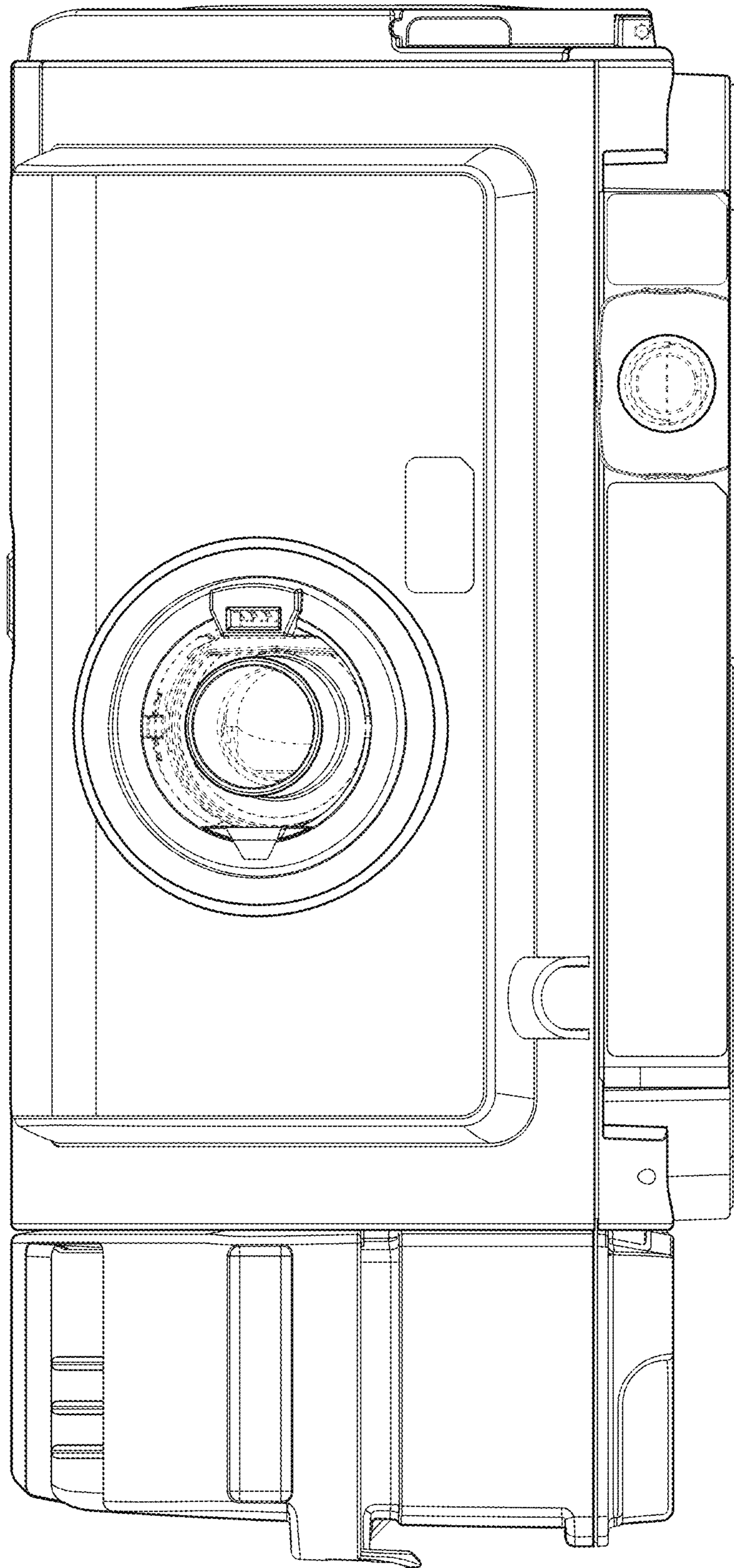


FIG. 11

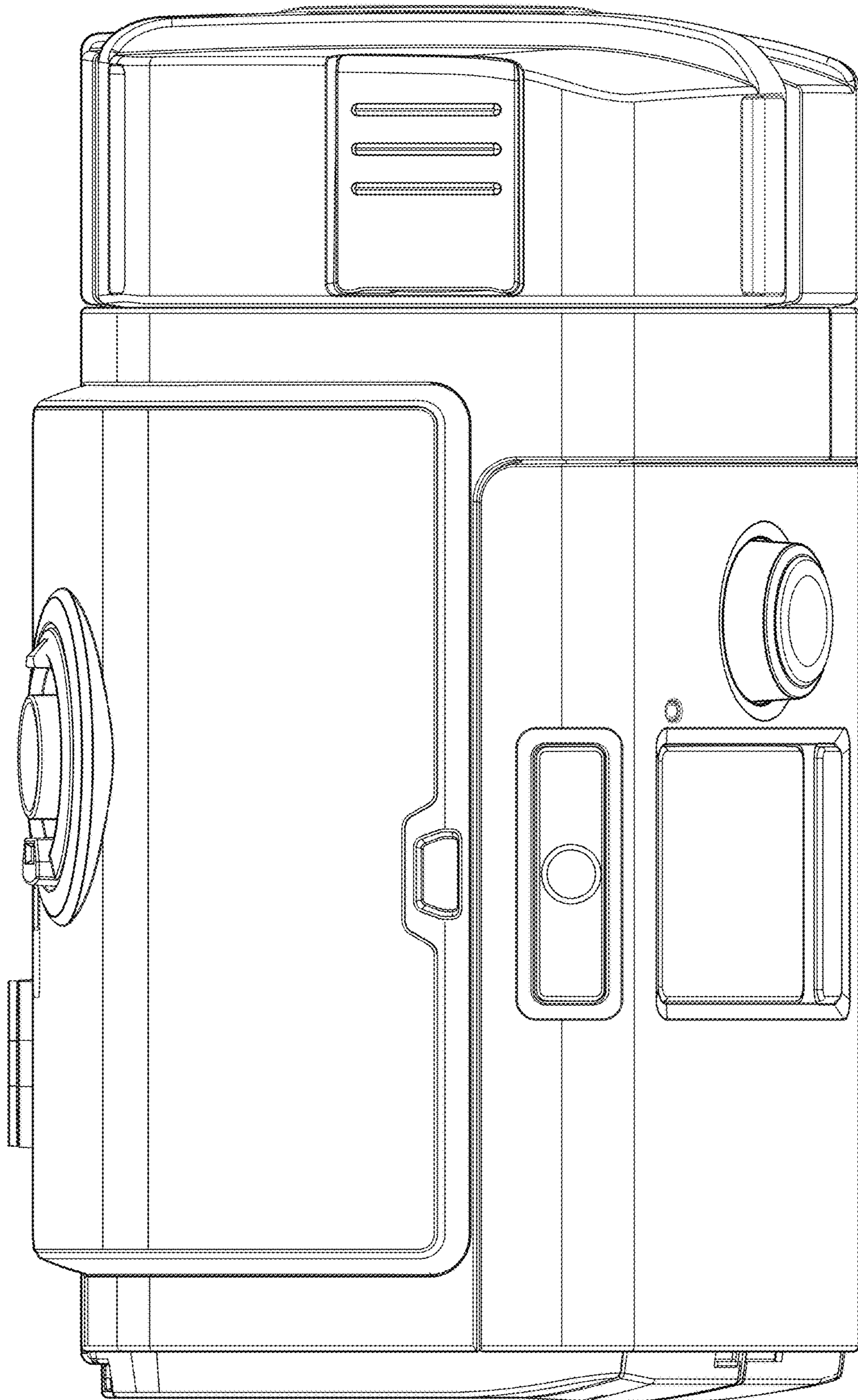


FIG. 12

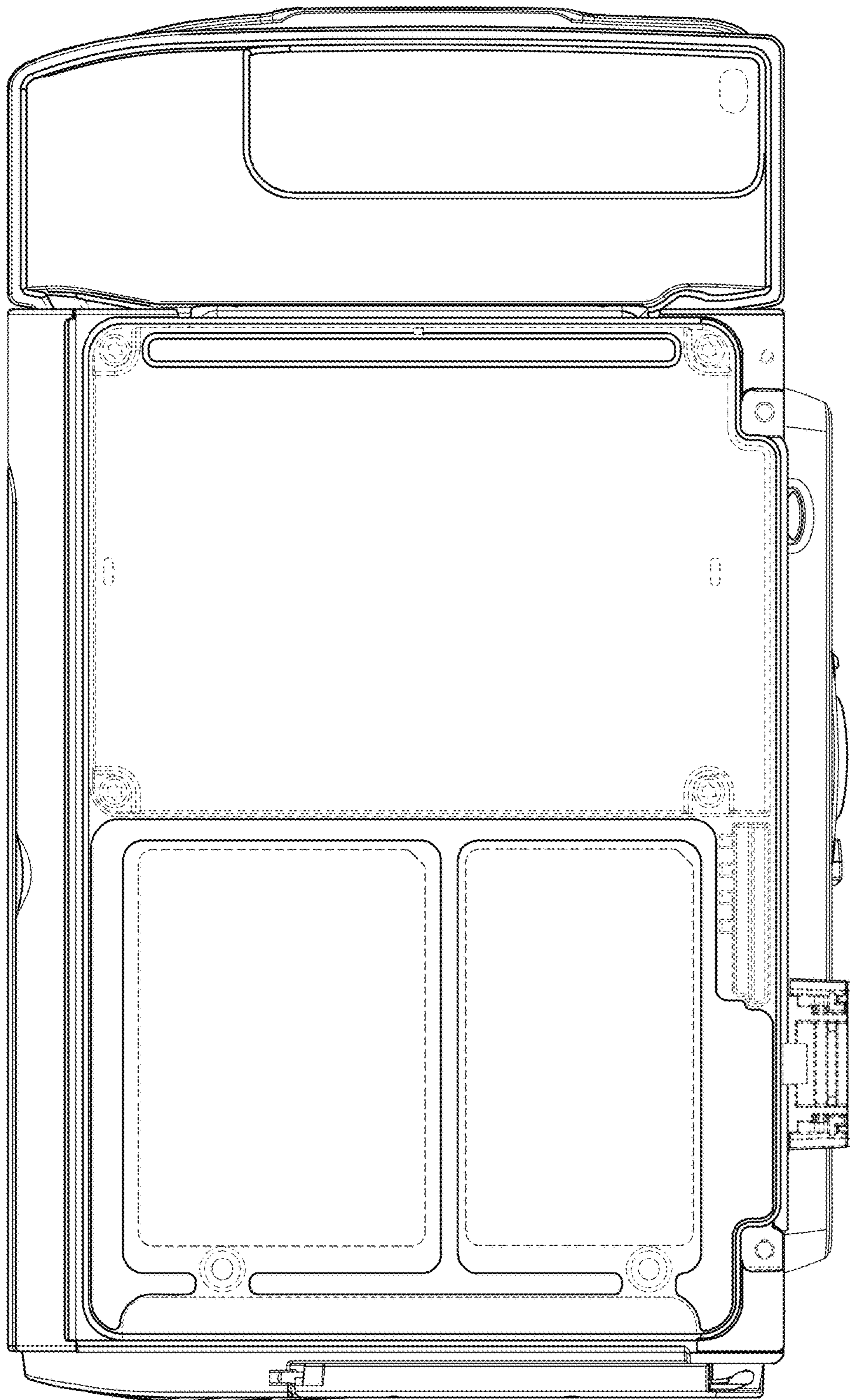


FIG. 13

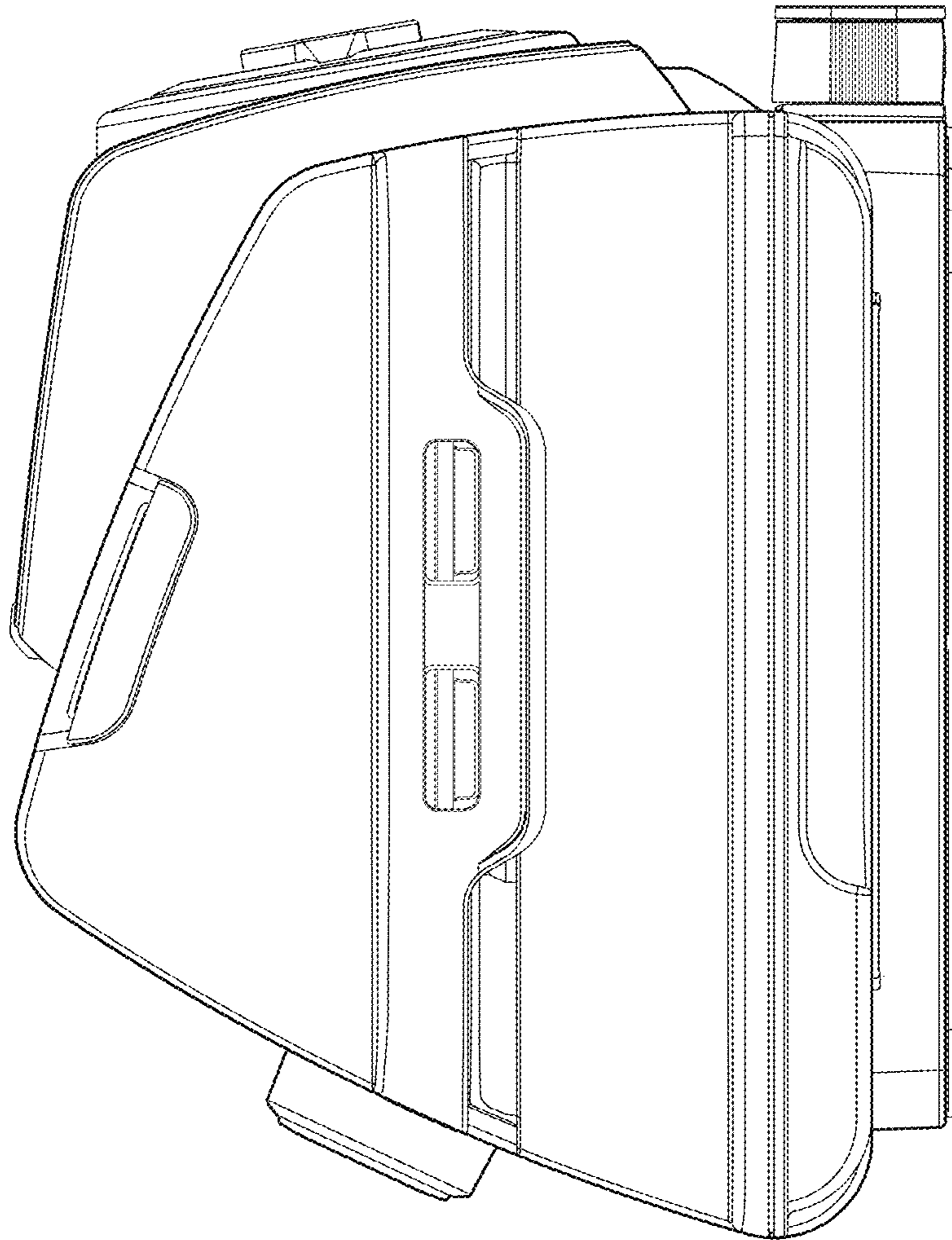


FIG. 14

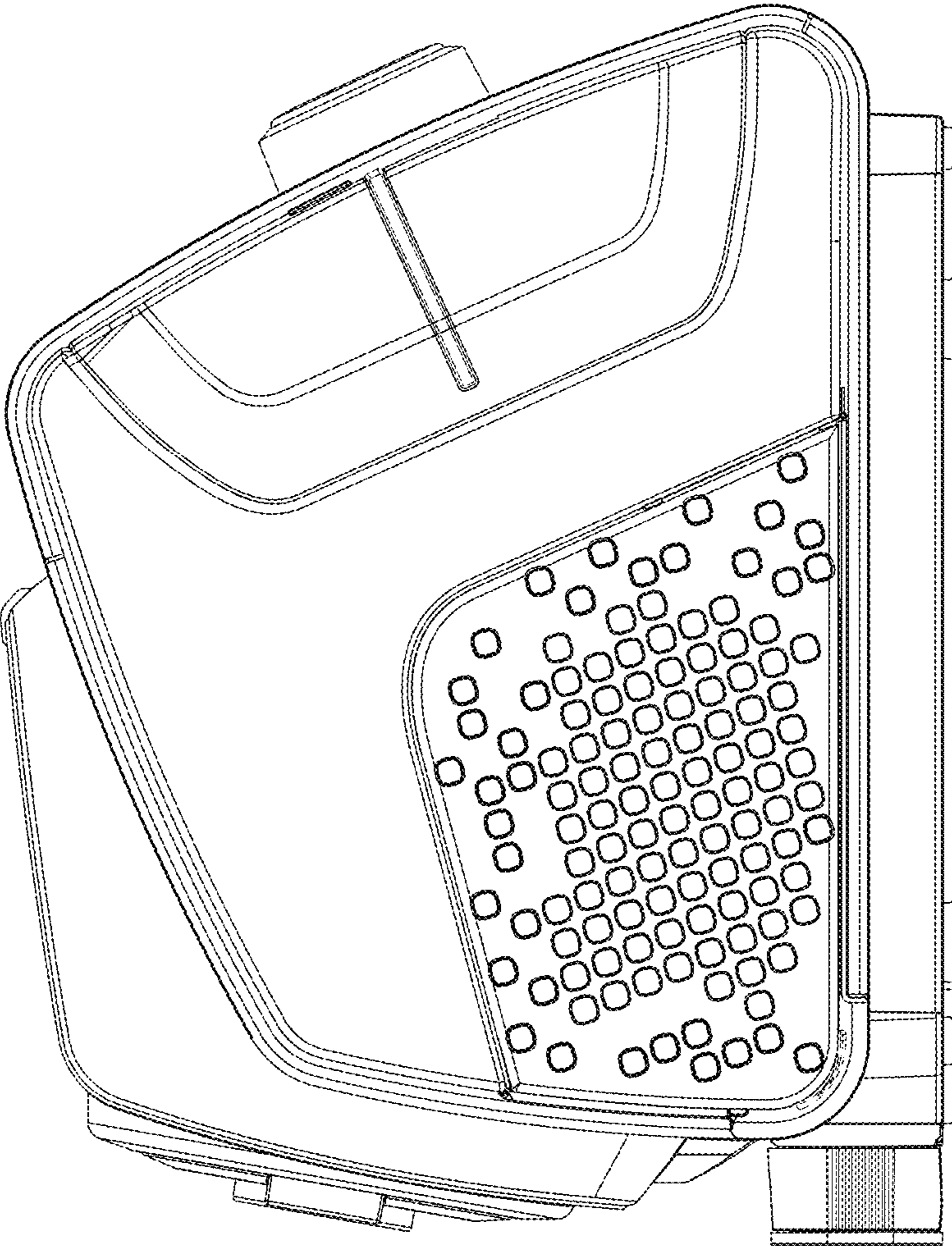


FIG. 15

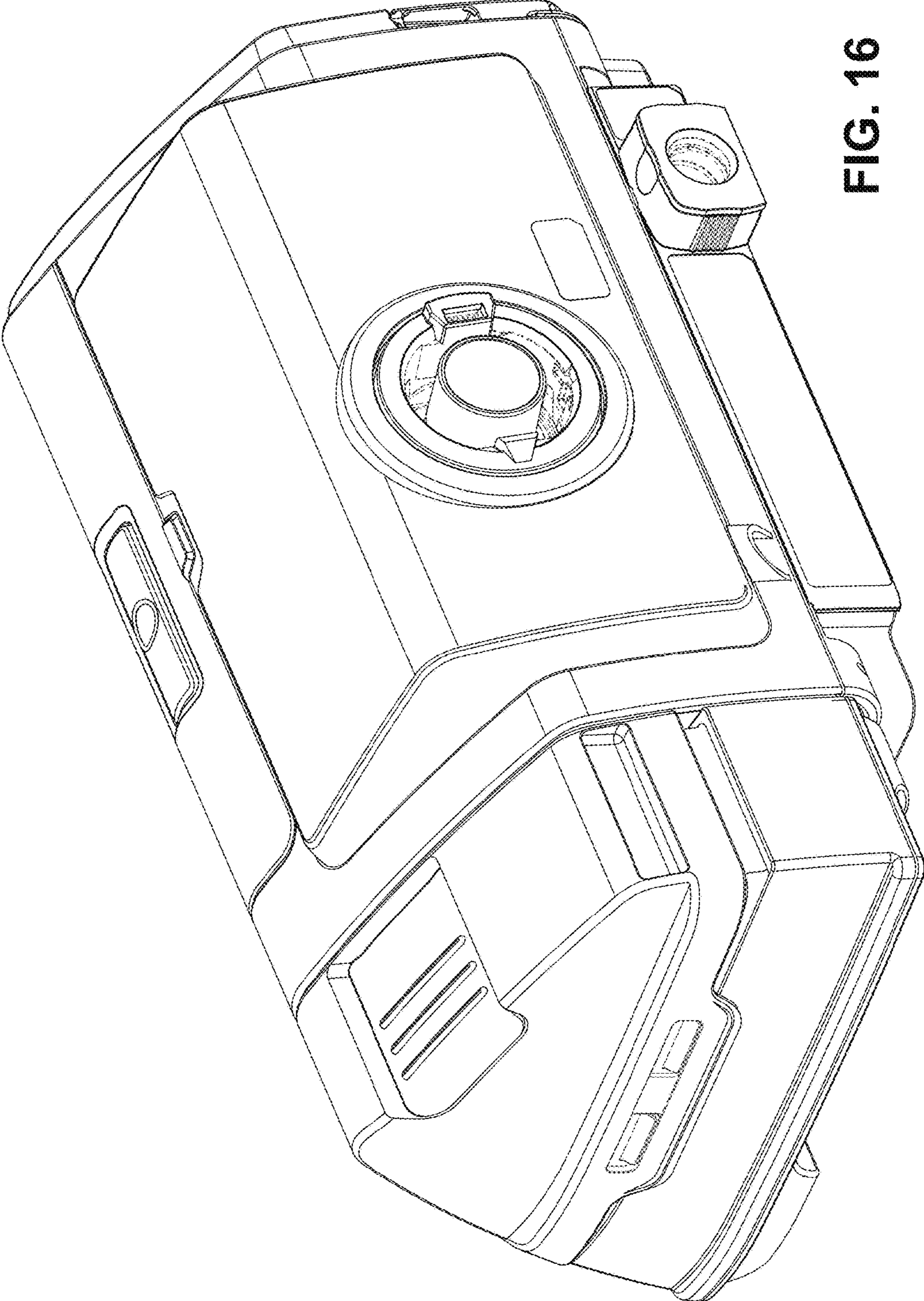


FIG. 16