



US00D798425S

(12) **United States Design Patent** (10) **Patent No.:** **US D798,425 S**  
**Mesun et al.** (45) **Date of Patent:** **\*\* Sep. 26, 2017**

(54) **TOILET**  
(71) Applicant: **Kohler Co.**, Kohler, WI (US)  
(72) Inventors: **Randy O. Mesun**, Sheboygan, WI (US); **Simon Mark Bickerstaffe**, Clevedon (GB); **Ronald L. Smies**, Oostburg, WI (US); **Robert S. Davis**, Grafton, WI (US)  
(73) Assignee: **KOHLER CO.**, Kohler, WI (US)  
(\*\*) Term: **15 Years**  
(21) Appl. No.: **29/556,393**  
(22) Filed: **Feb. 29, 2016**  
(51) **LOC (10) Cl.** ..... **23-02**  
(52) **U.S. Cl.**  
USPC ..... **D23/301**  
(58) **Field of Classification Search**  
USPC ..... D23/295-301, 303, 309, 313  
CPC ..... A47K 11/02; A47K 11/026  
See application file for complete search history.

D578,621 S \* 10/2008 Lee ..... D23/301  
D586,895 S 2/2009 Kergoet  
D601,233 S 9/2009 Kergoet  
D602,137 S 10/2009 Kergoet  
D603,028 S 10/2009 Kergoet  
D637,702 S 5/2011 Rexach  
D652,493 S \* 1/2012 Bucher ..... D23/301  
(Continued)

**OTHER PUBLICATIONS**

NPL Toilets from Kohler 2016 Fixtures Catalog, pp. 314-347; 34 pages.

*Primary Examiner* — Robert M Spear  
*Assistant Examiner* — John Voytek  
(74) *Attorney, Agent, or Firm* — Foley & Lardner LLP

(57) **CLAIM**

We claim the ornamental design for a toilet, as shown and described.

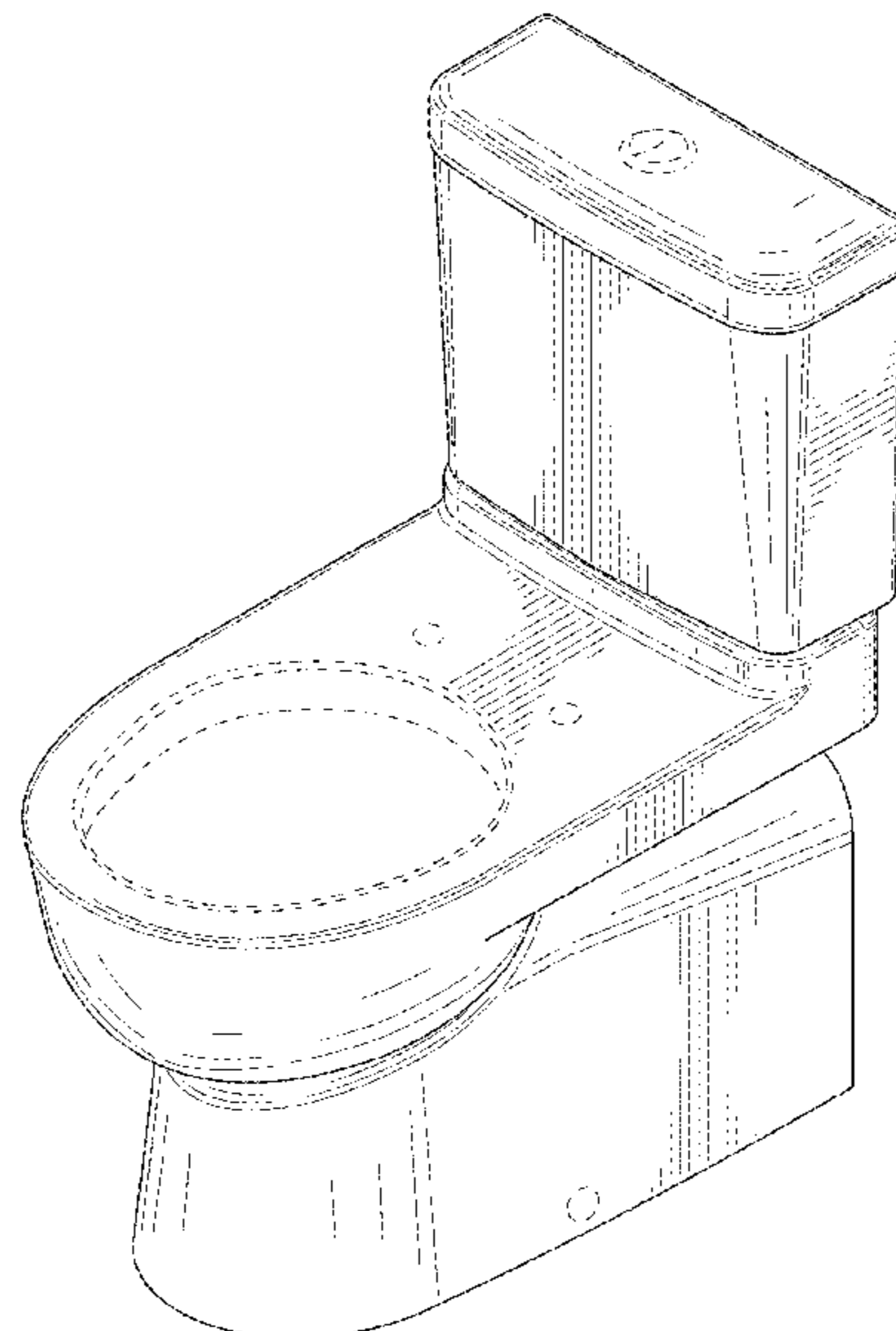
**DESCRIPTION**

FIG. 1 is a perspective view of an embodiment of a toilet; FIG. 2 is a front view of the embodiment shown in FIG. 1; FIG. 3 is a rear view of the embodiment shown in FIG. 1; FIG. 4 is a side view of the embodiment shown in FIG. 1; FIG. 5 is another side view of the embodiment shown in FIG. 1; FIG. 6 is a top view of the embodiment shown in FIG. 1; and, FIG. 7 is a bottom view of the embodiment shown in FIG. 1.

The ornamental design that is claimed is shown in the drawings comprises elements shown in solid lines and surfaces having surface shading. The broken lines illustrate portions of the article that form no part of the claimed design.

**1 Claim, 7 Drawing Sheets**

(56) **References Cited**  
U.S. PATENT DOCUMENTS  
D310,558 S 9/1990 Kohler, Jr. et al.  
D379,217 S 5/1997 Kergoet  
D390,933 S 2/1998 Slothower  
D412,742 S 8/1999 Soulier  
D455,202 S 4/2002 Soulier  
D455,477 S 4/2002 Soulier  
D471,621 S 3/2003 Bennie  
D476,401 S \* 6/2003 Singla Palacin ..... D23/295  
D502,765 S \* 3/2005 Bucher ..... D23/301  
D507,822 S \* 7/2005 Bucher ..... D23/301  
D520,614 S \* 5/2006 Tani ..... D23/301  
D531,714 S 11/2006 Soulier  
D536,428 S 2/2007 Kohler, Jr. et al.  
D536,771 S 2/2007 Chenesseau



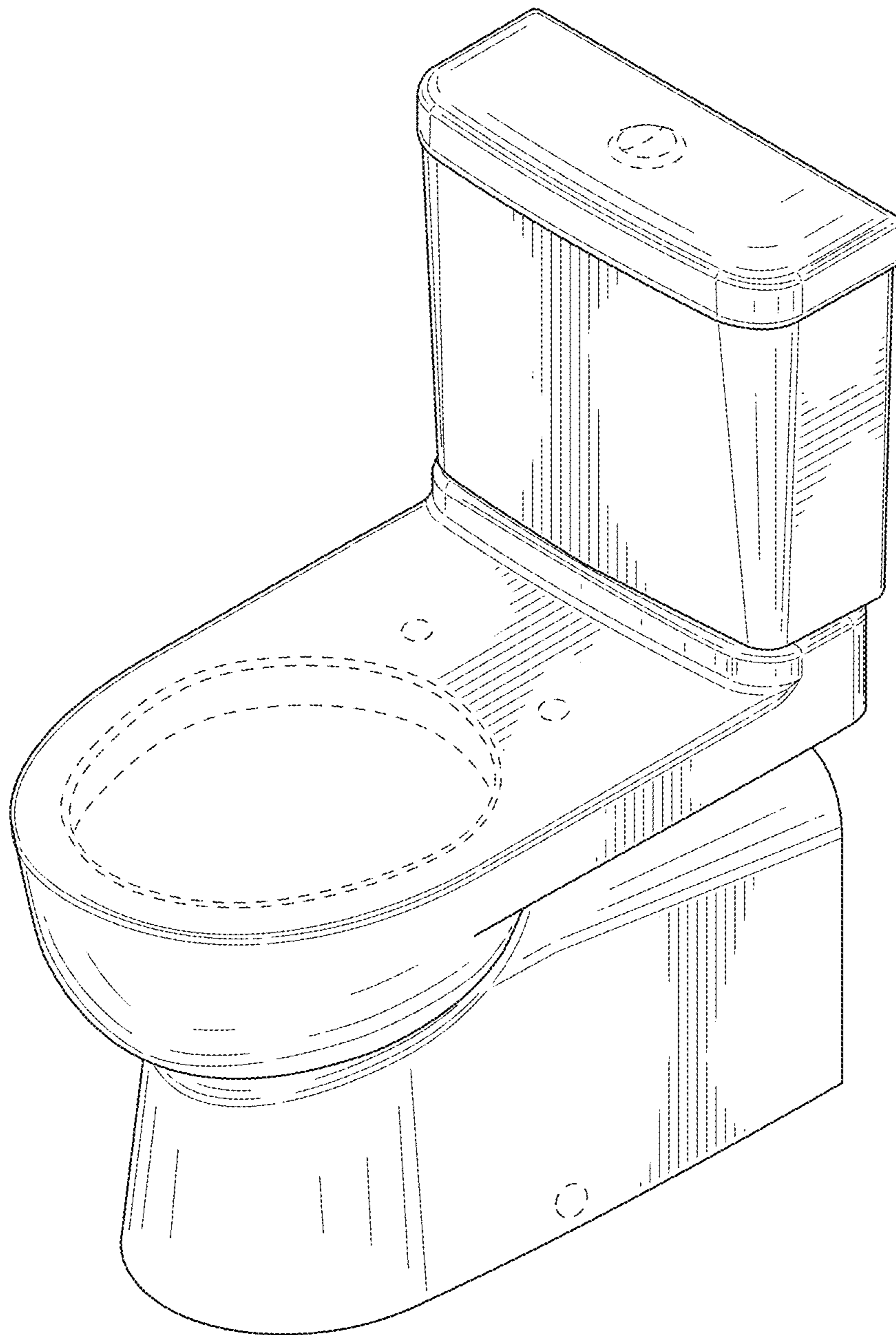
(56)

**References Cited**

U.S. PATENT DOCUMENTS

D688,356 S	*	8/2013	Mendoza .....	D23/301
D702,331 S	*	4/2014	Garland .....	D23/295
D702,819 S	*	4/2014	Garland .....	D23/301
D725,248 S	*	3/2015	Bates .....	D23/309
D743,516 S	*	11/2015	Bates .....	D23/301

\* cited by examiner



**FIG. 1**

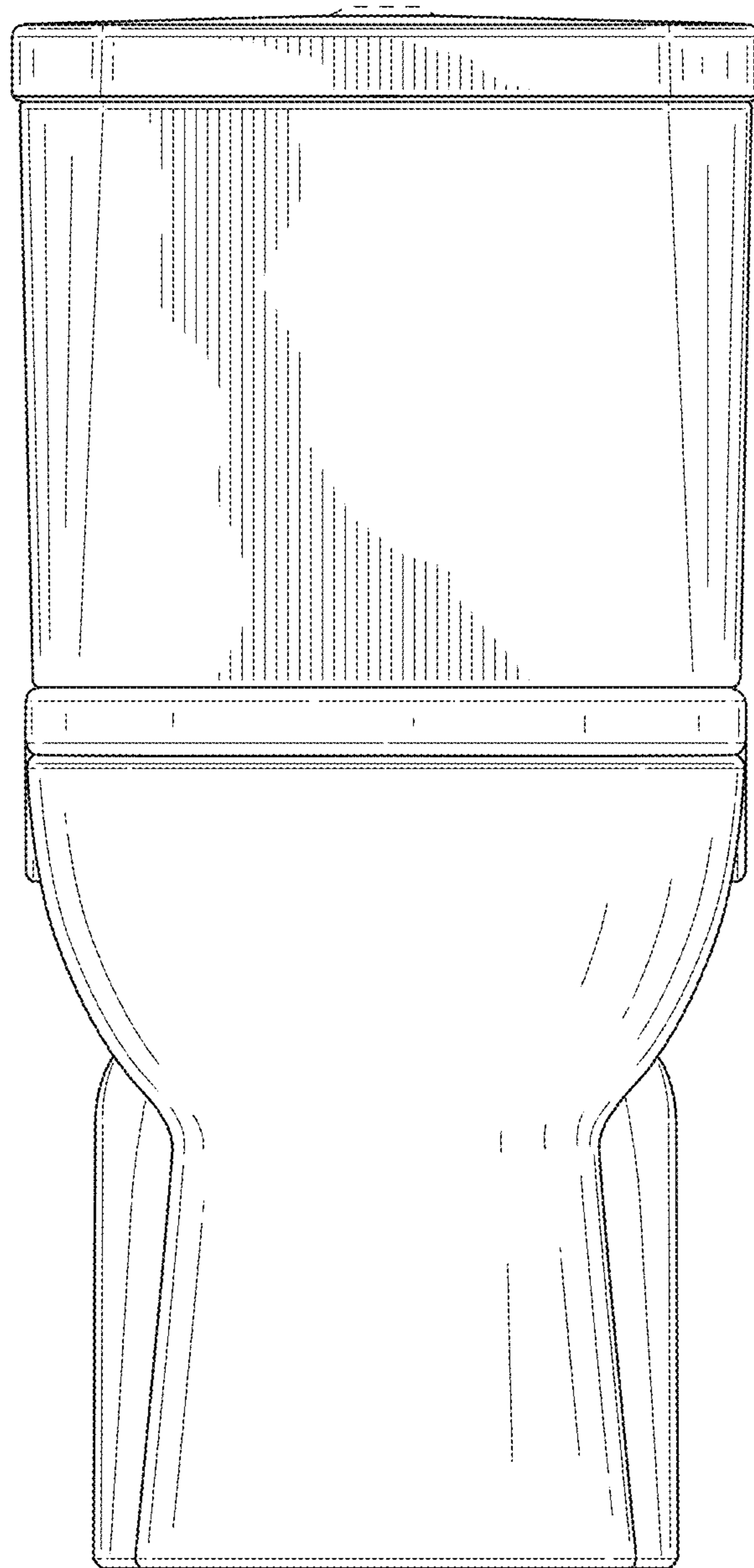


FIG. 2

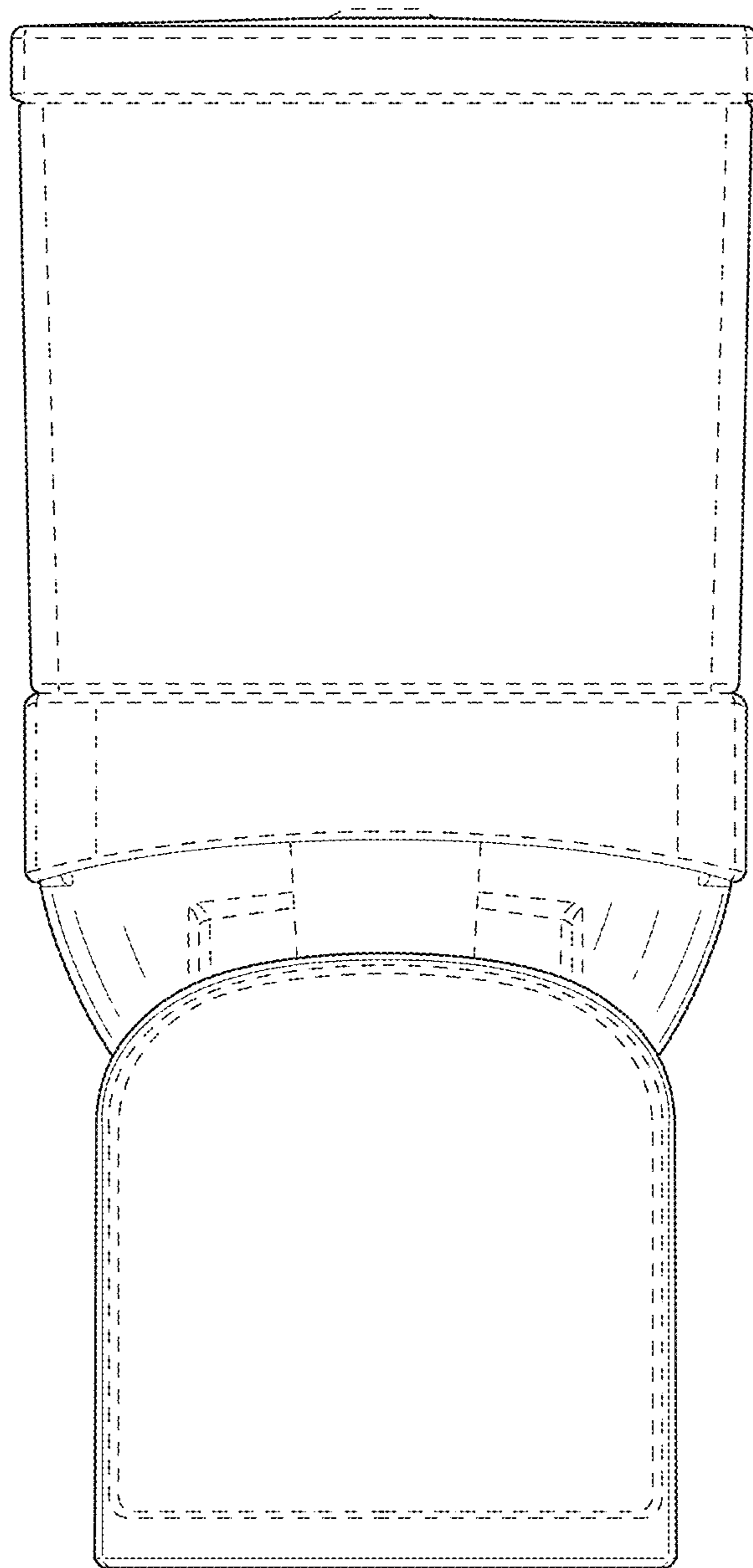


FIG. 3

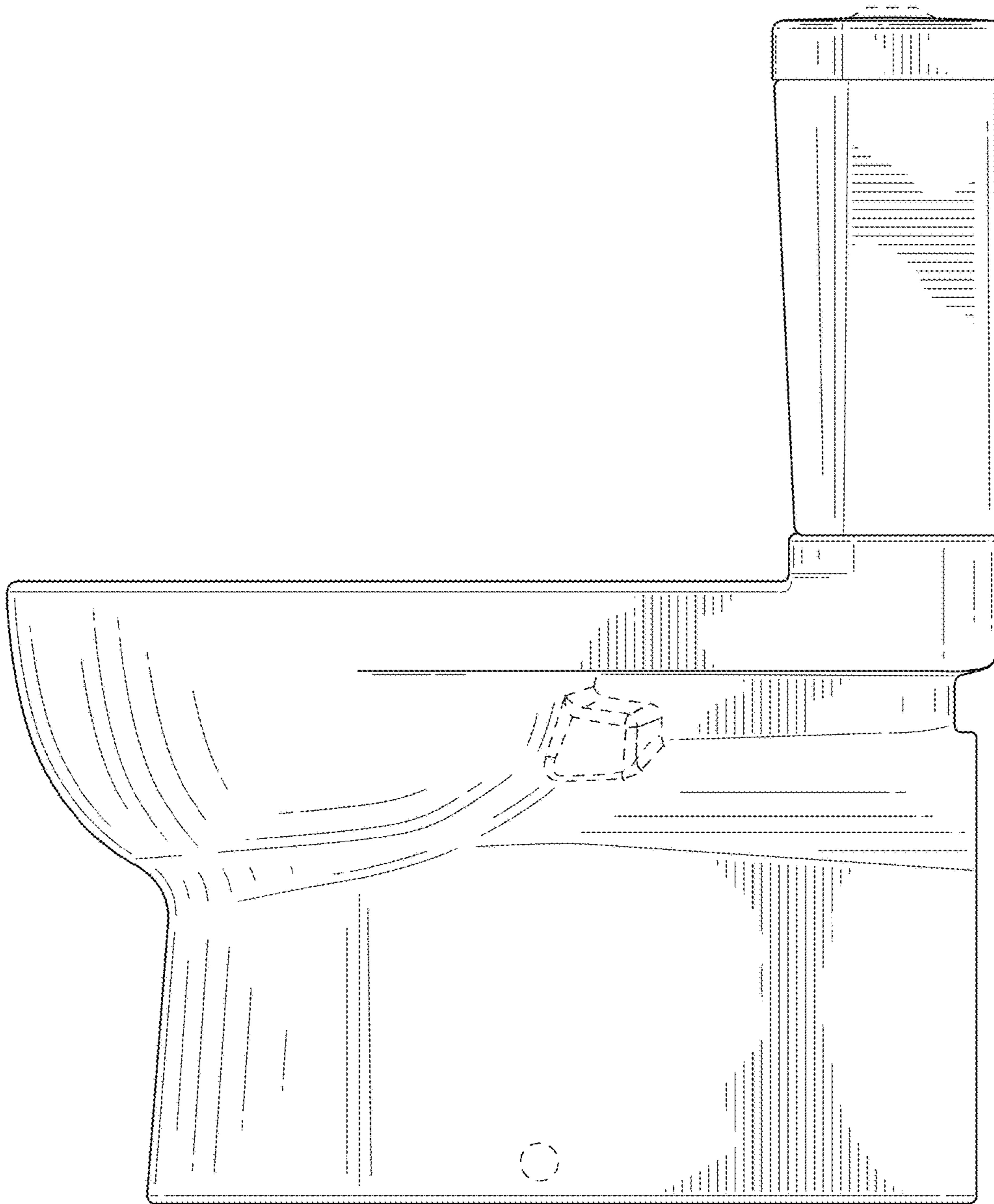


FIG. 4

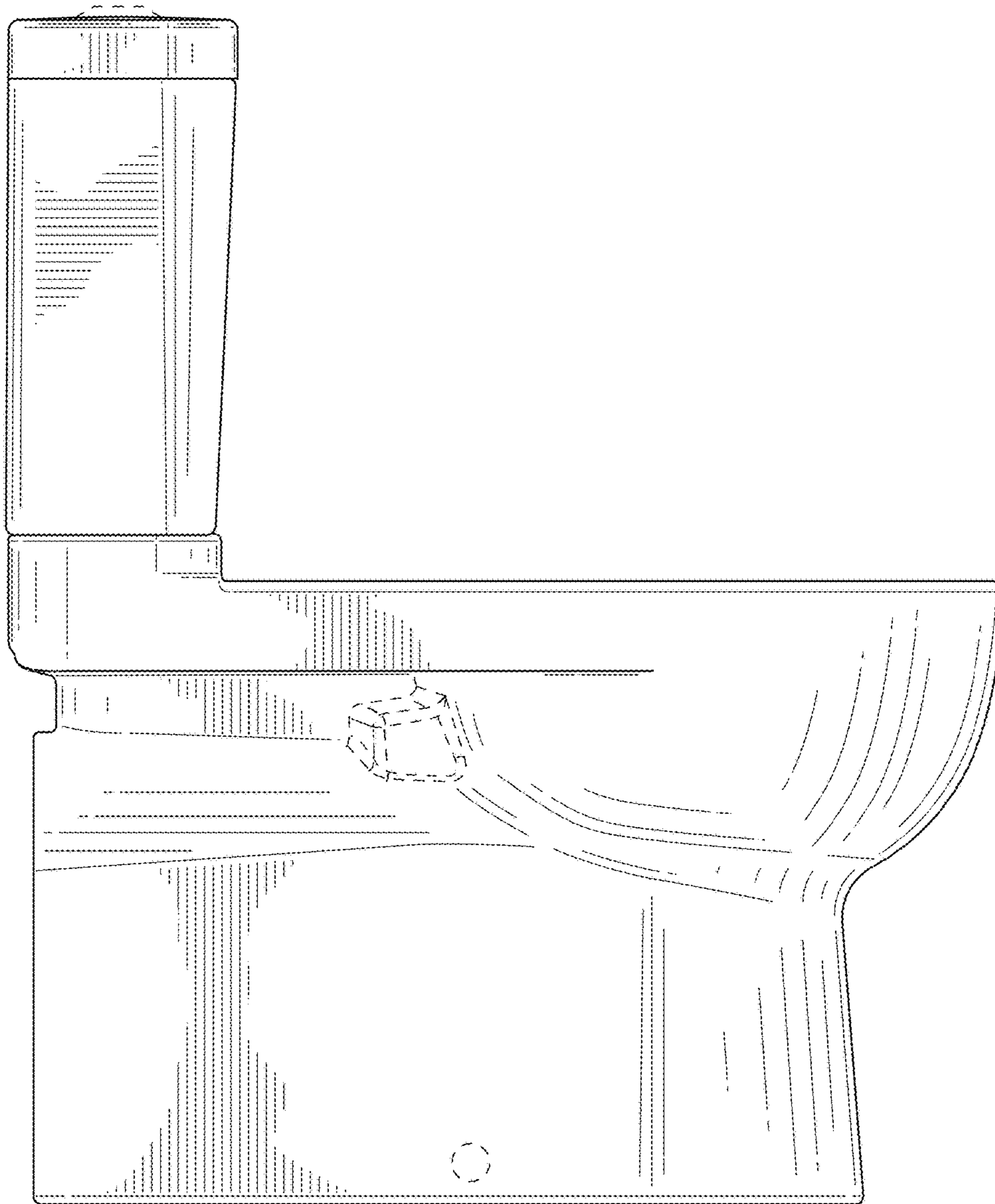
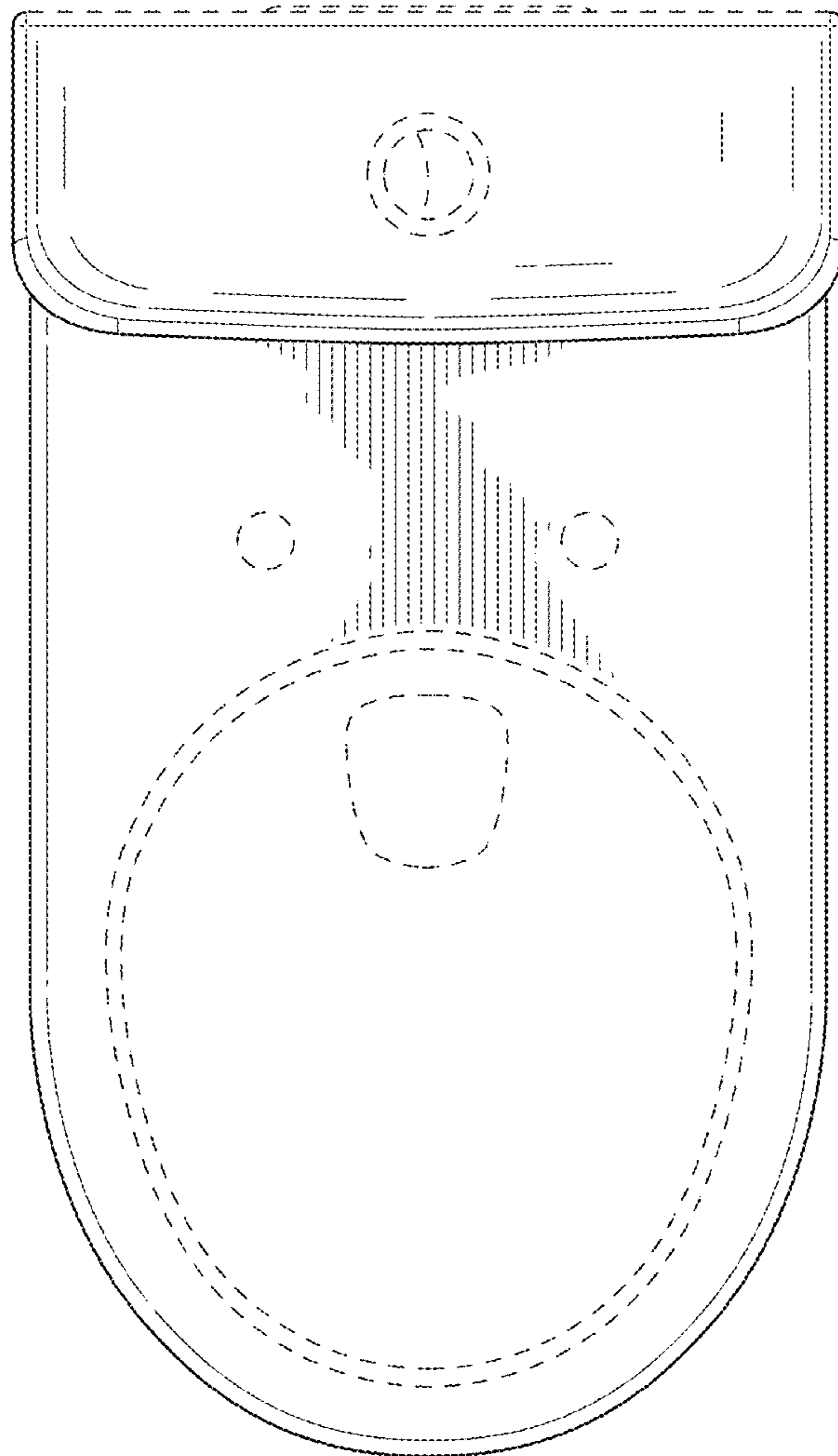


FIG. 5



**FIG. 6**



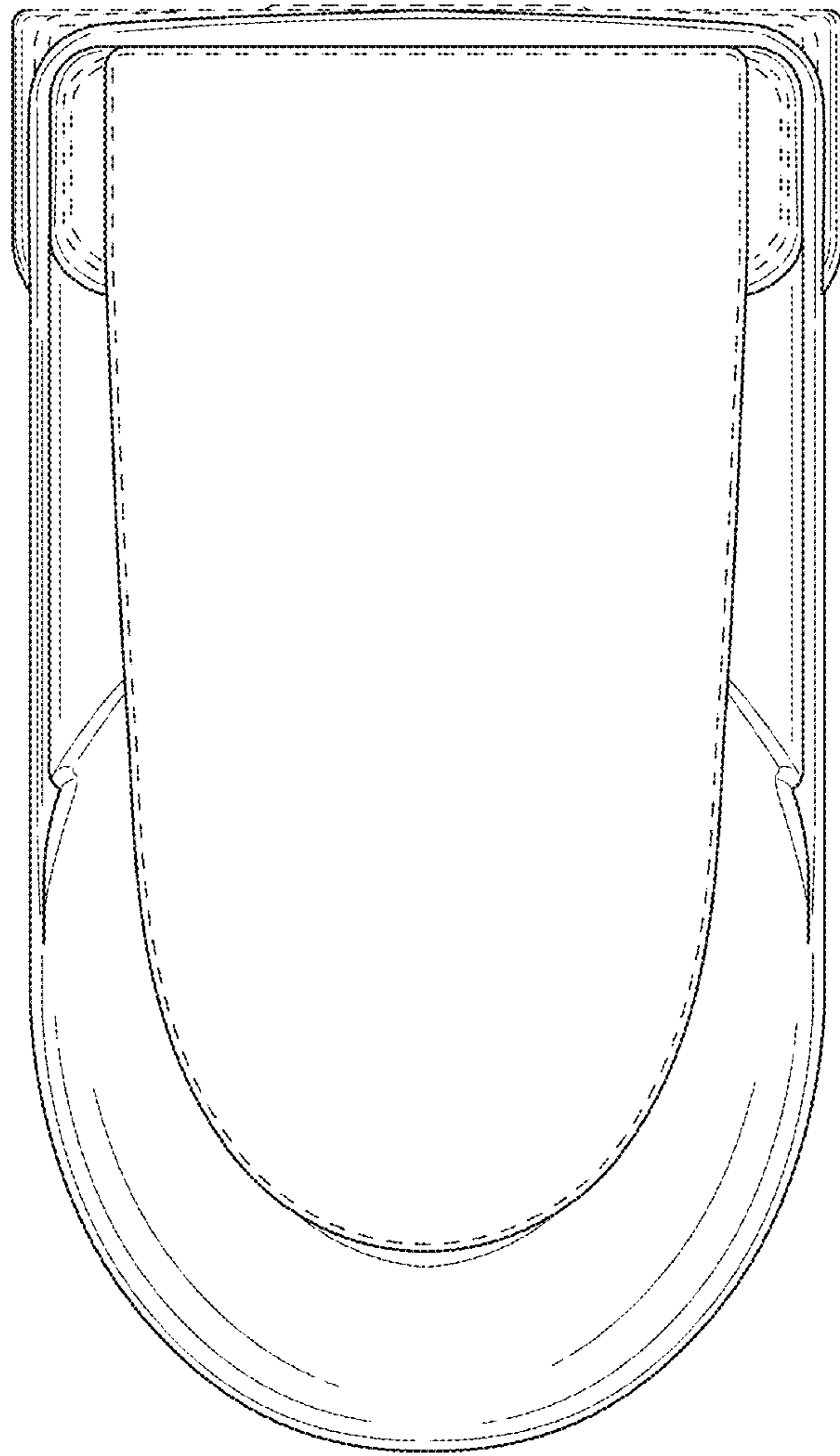


FIG. 7