



US00D798424S

(12) **United States Design Patent** (10) **Patent No.:** **US D798,424 S**
Mesun et al. (45) **Date of Patent:** **** Sep. 26, 2017**

- (54) **TOILET**
- (71) Applicant: **Kohler Co.**, Kohler, WI (US)
- (72) Inventors: **Randy O. Mesun**, Sheboygan, WI (US); **Simon Mark Bickerstaffe**, Clevedon (GB); **Ronald L. Smies**, Oostburg, WI (US); **Robert S. Davis**, Grafton, WI (US)
- (73) Assignee: **KOHLER CO.**, Kohler, WI (US)
- (**) Term: **15 Years**
- (21) Appl. No.: **29/556,392**
- (22) Filed: **Feb. 29, 2016**
- (51) **LOC (10) Cl.** **23-02**
- (52) **U.S. Cl.**
USPC **D23/301**
- (58) **Field of Classification Search**
USPC D23/295-301, 303, 309, 313
CPC A47K 11/02; A47K 11/026
See application file for complete search history.

D586,895 S	2/2009	Kergoet	
D601,233 S	9/2009	Kergoet	
D602,137 S	10/2009	Kergoet	
D603,028 S	10/2009	Kergoet	
D637,702 S	5/2011	Rexach	
D652,493 S *	1/2012	Bucher	D23/301
D725,248 S *	3/2015	Bates	D23/309

OTHER PUBLICATIONS

NPL Toilets from Kohler 2016 Fixtures Catalog, pp. 314-347; 34 pages.

* cited by examiner

Primary Examiner — Robert M Spear

Assistant Examiner — John Voytek

(74) *Attorney, Agent, or Firm* — Foley & Lardner LLP

(57) **CLAIM**

We claim the ornamental design for a toilet, as shown and described.

DESCRIPTION

FIG. 1 is a perspective view of an embodiment of a toilet; FIG. 2 is a front view of the embodiment shown in FIG. 1; FIG. 3 is a rear view of the embodiment shown in FIG. 1; FIG. 4 is a side view of the embodiment shown in FIG. 1; FIG. 5 is another side view of the embodiment shown in FIG. 1;

FIG. 6 is a top view of the embodiment shown in FIG. 1; and,

FIG. 7 is a bottom view of the embodiment shown in FIG. 1.

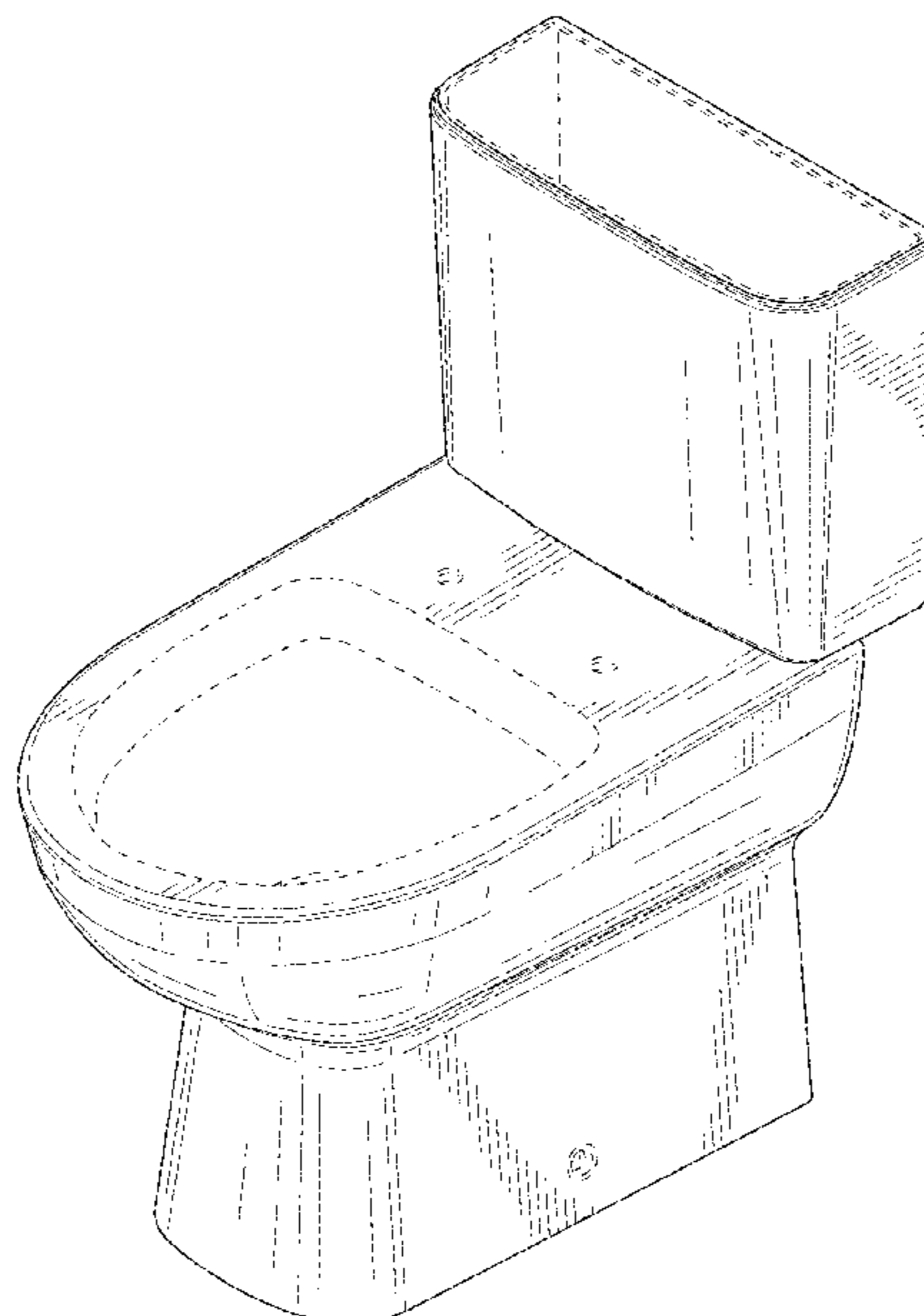
The ornamental design that is claimed is shown in the drawings comprises elements shown in solid lines and surfaces having surface shading. The broken lines illustrate portions of the article that form no part of the claimed design.

1 Claim, 6 Drawing Sheets

(56) **References Cited**

U.S. PATENT DOCUMENTS

D310,558 S	9/1990	Kohler, Jr. et al.	
D379,217 S	5/1997	Kergoet	
D390,933 S	2/1998	Slothower	
D412,742 S	8/1999	Soulier	
D455,202 S	4/2002	Soulier	
D455,477 S	4/2002	Soulier	
D471,621 S	3/2003	Bennie	
D531,714 S	11/2006	Soulier	
D536,428 S	2/2007	Kohler, Jr. et al.	
D536,771 S	2/2007	Chenesseau	
D556,870 S *	12/2007	Lin	D23/295
D556,873 S *	12/2007	Lin	D23/301
D582,530 S *	12/2008	Cummings	D23/301



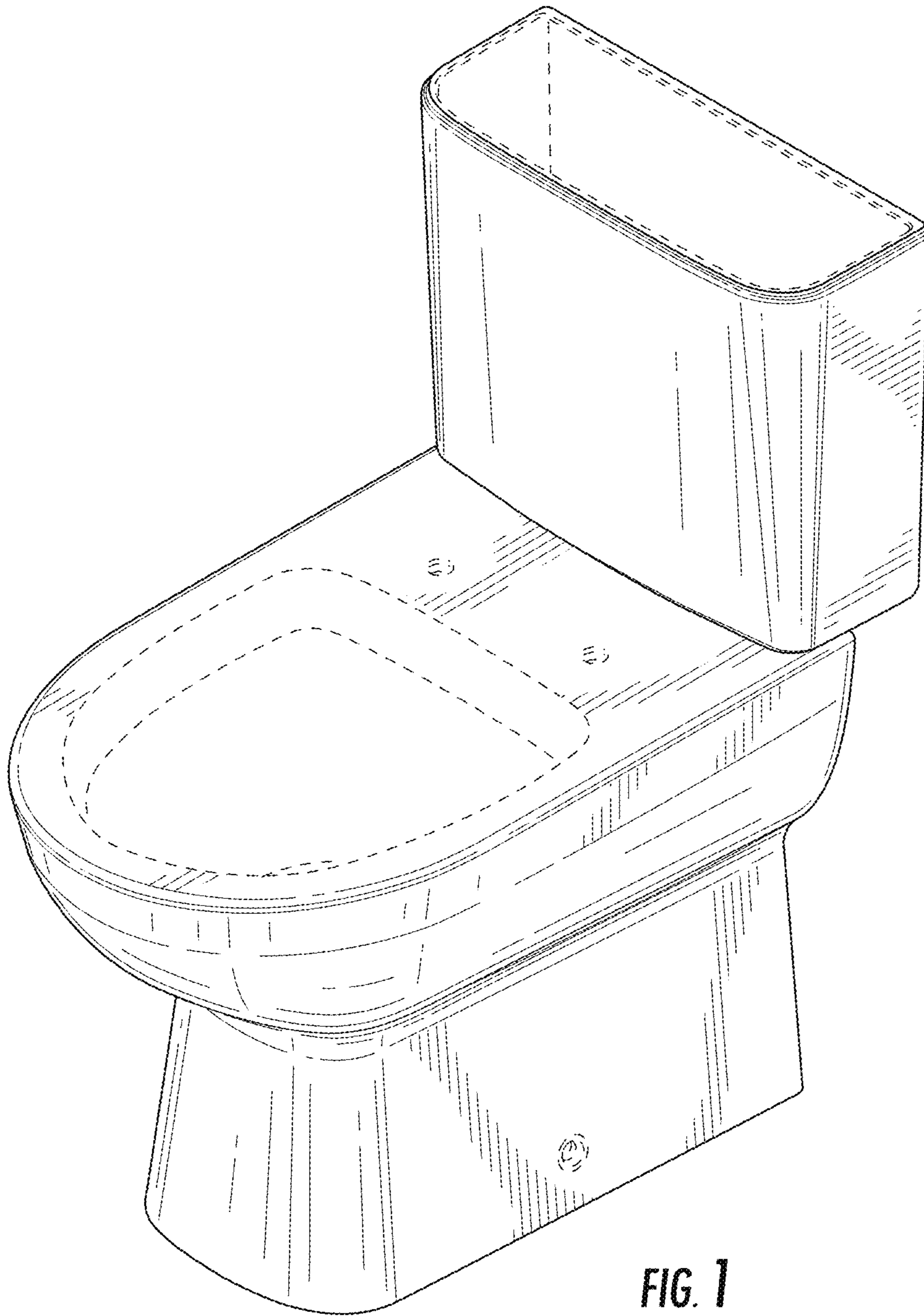


FIG. 1

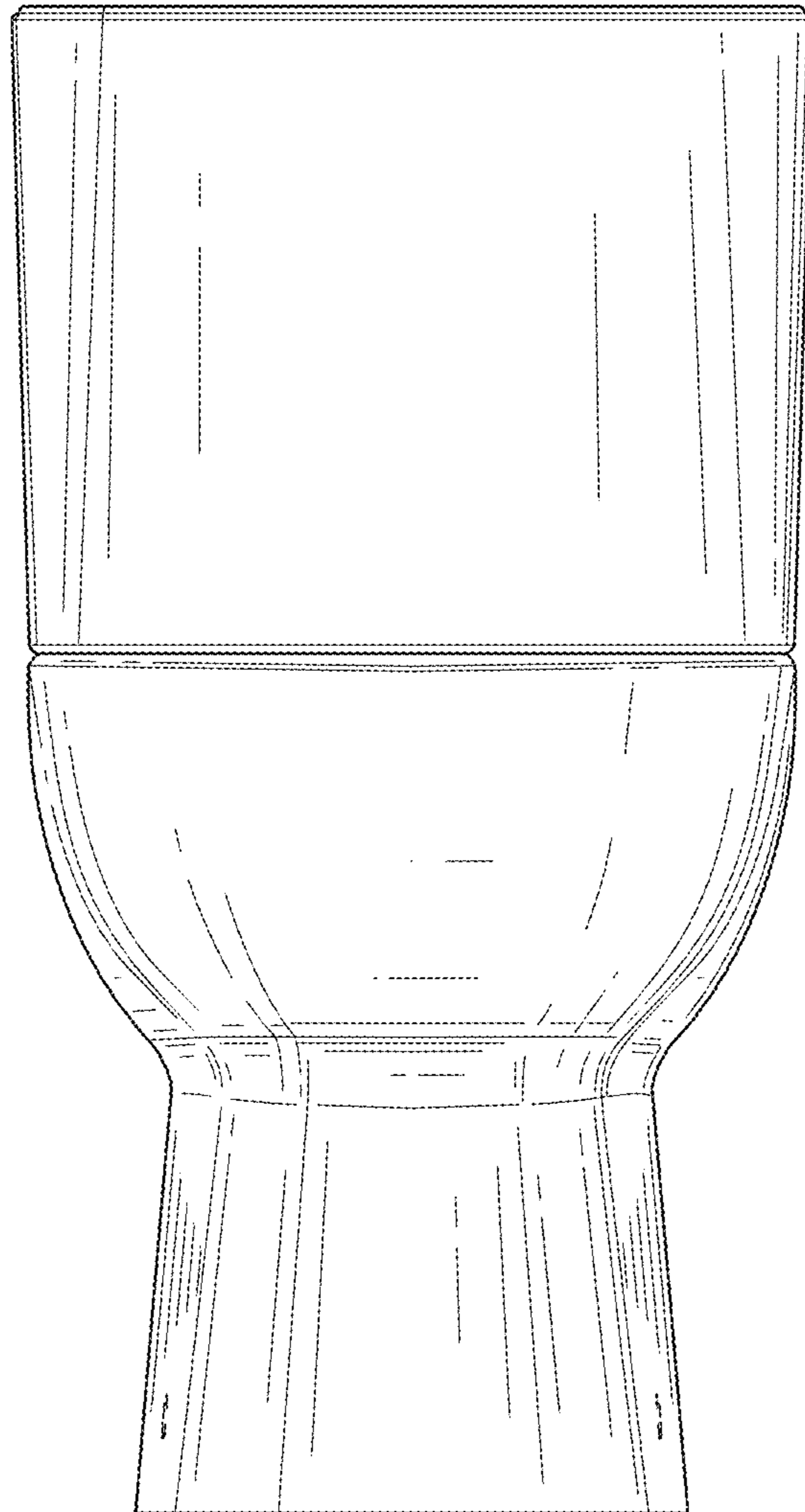


FIG. 2

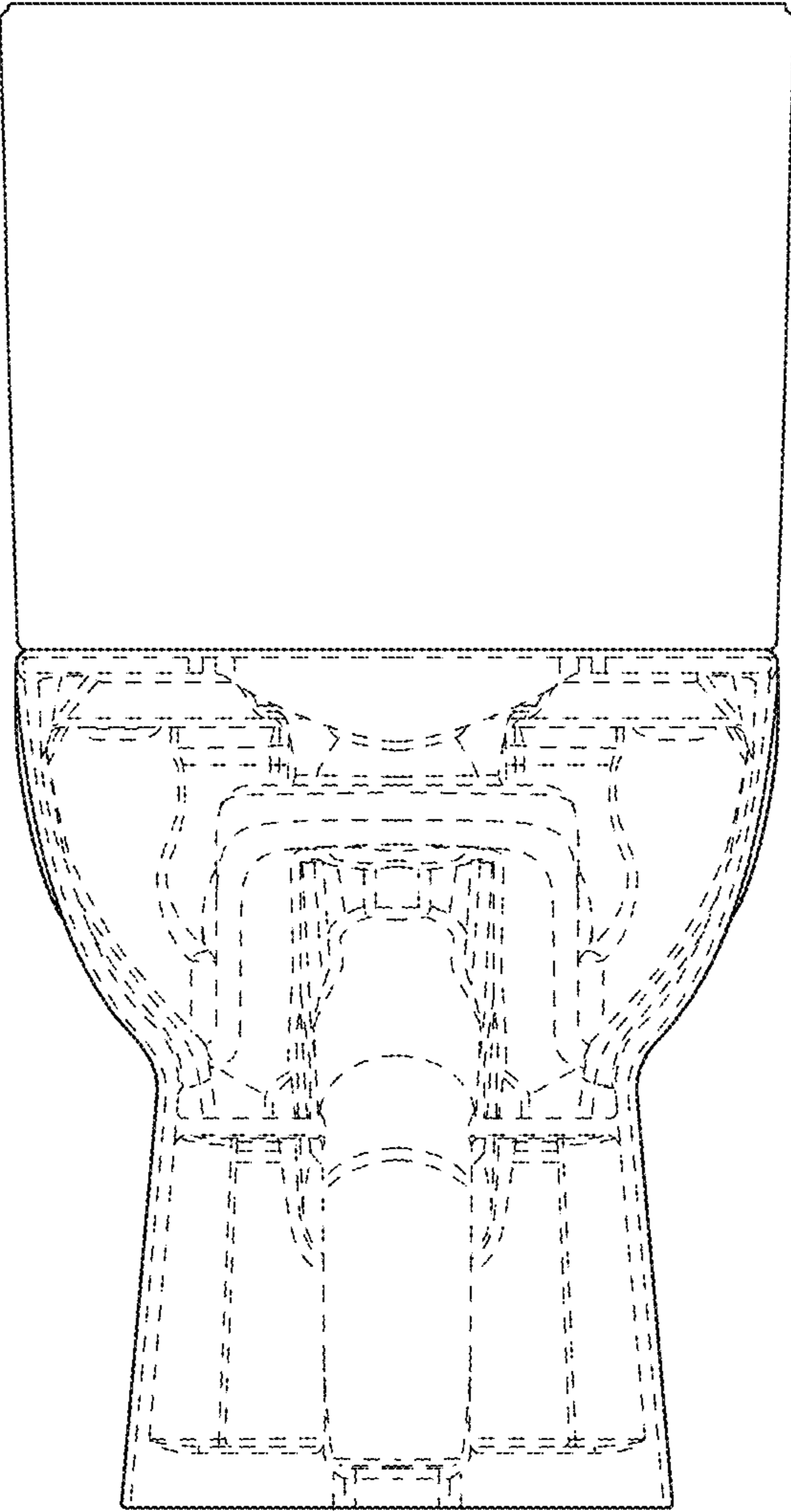


FIG. 3

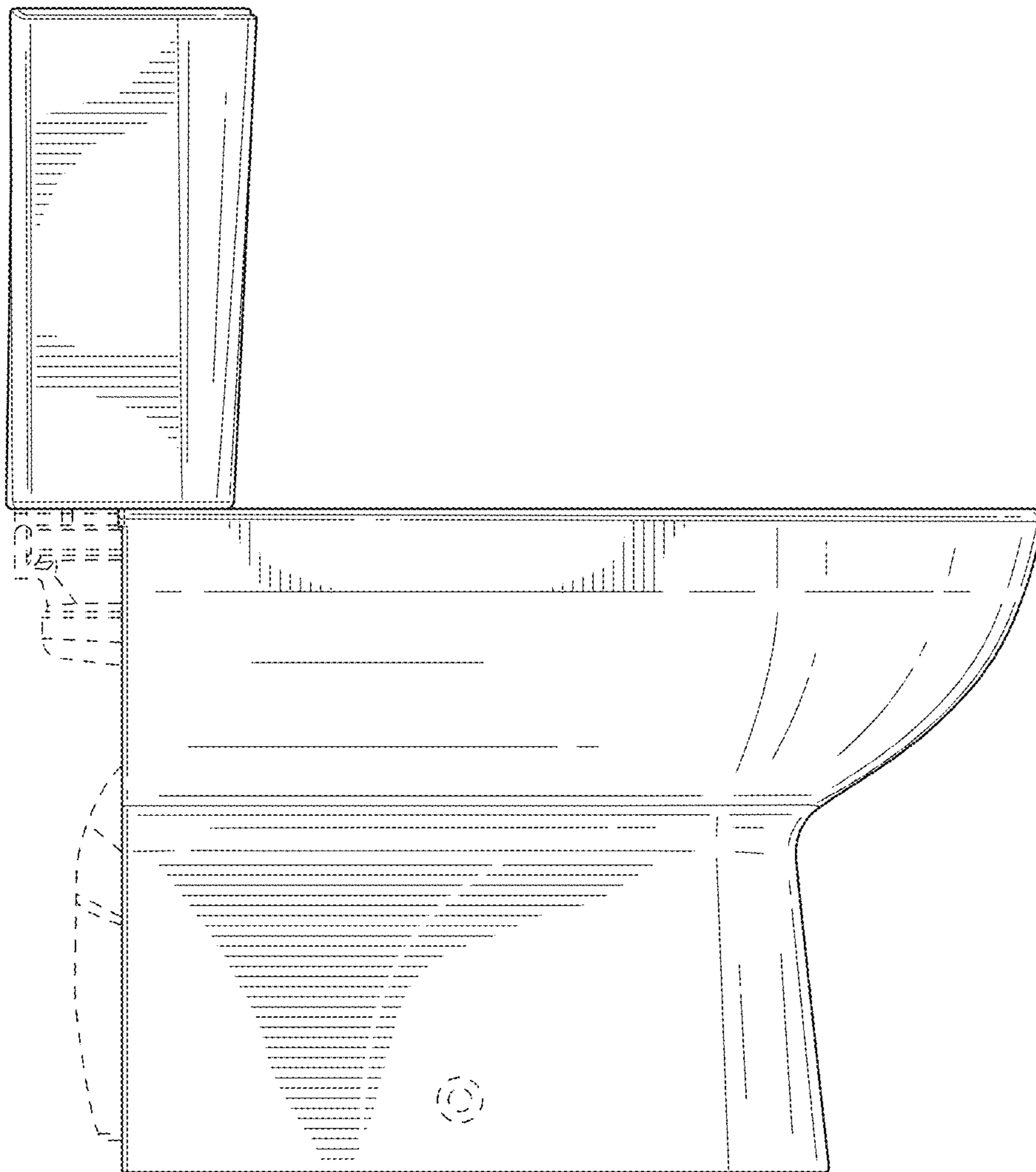


FIG. 4

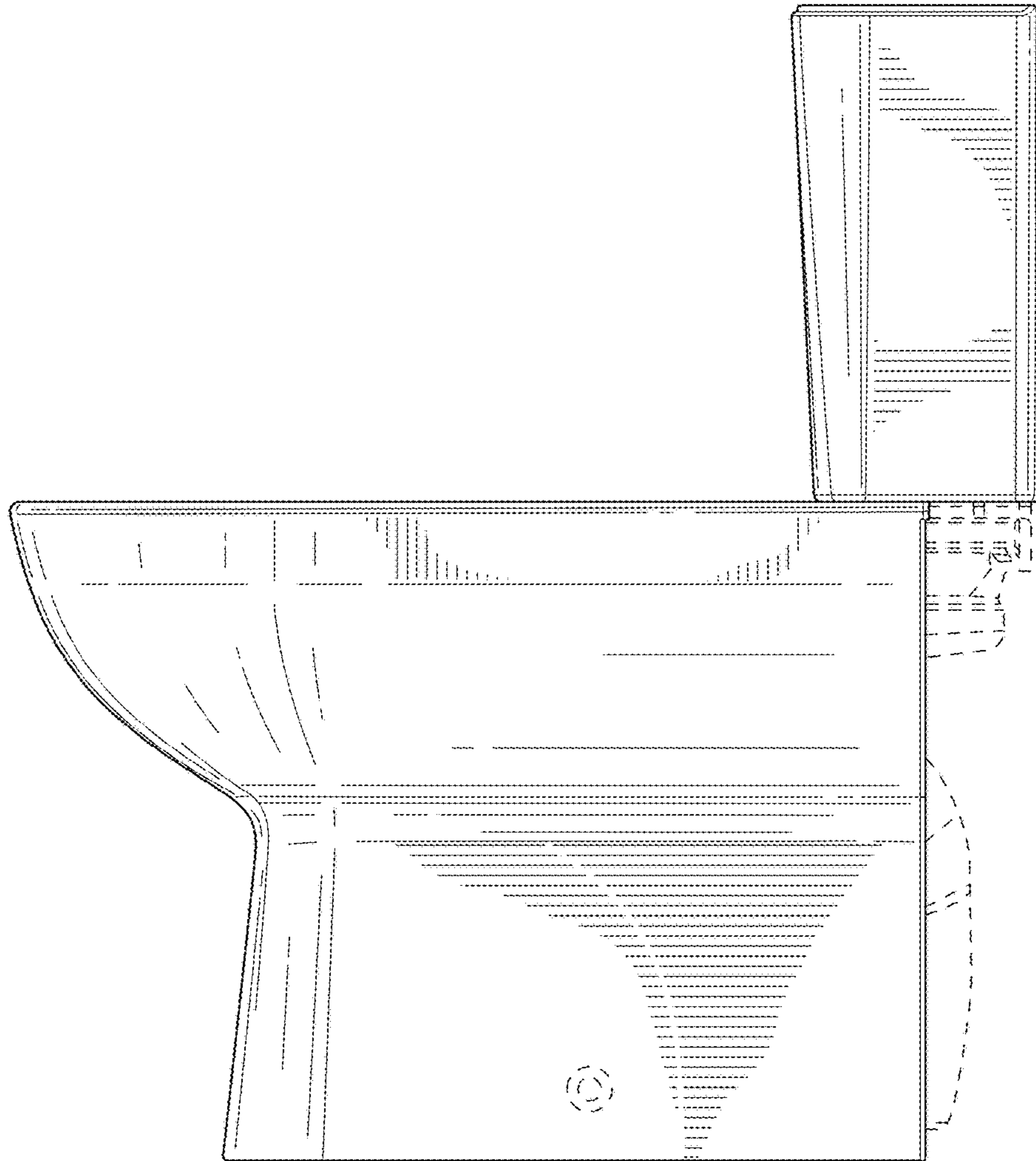


FIG. 5

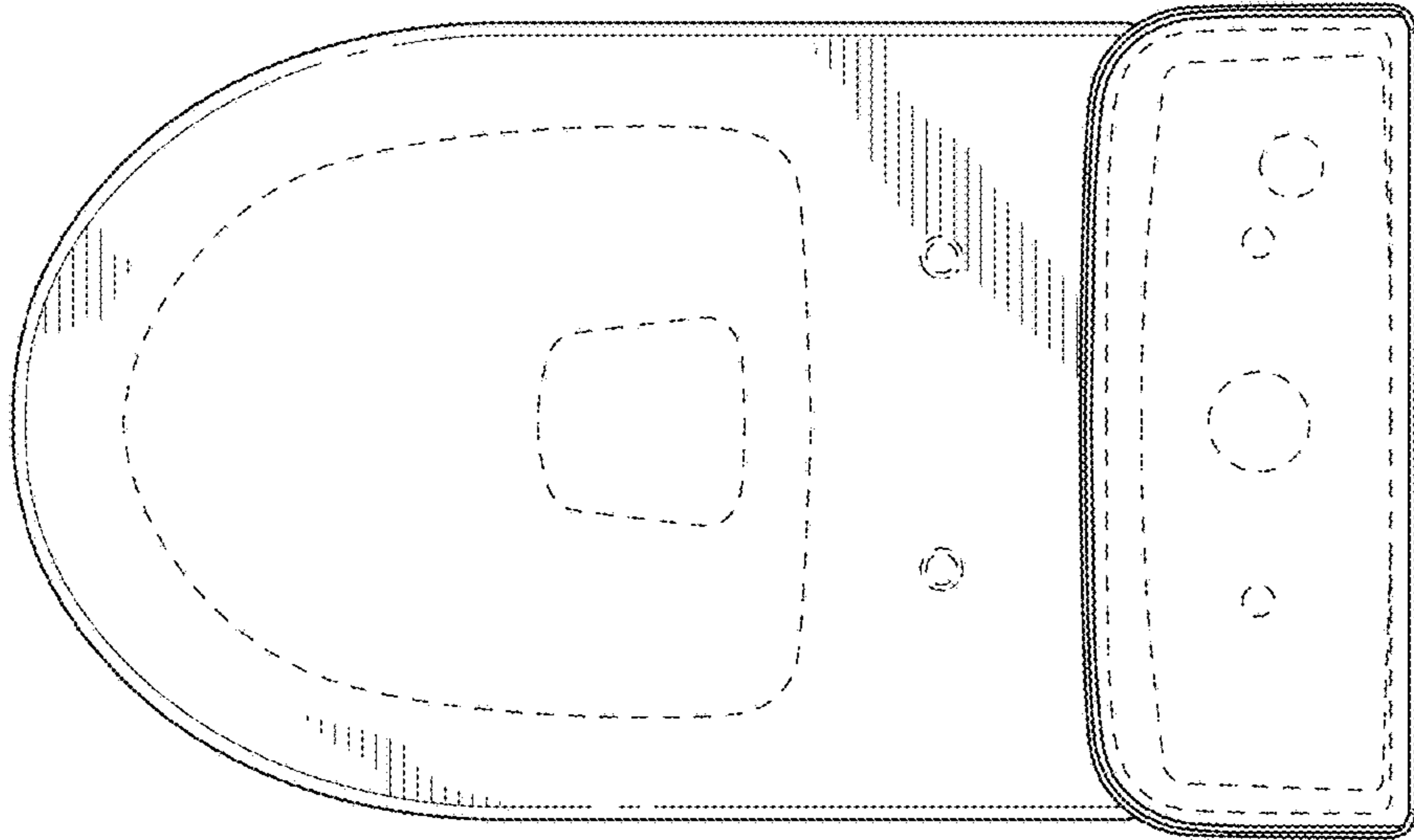


FIG. 6

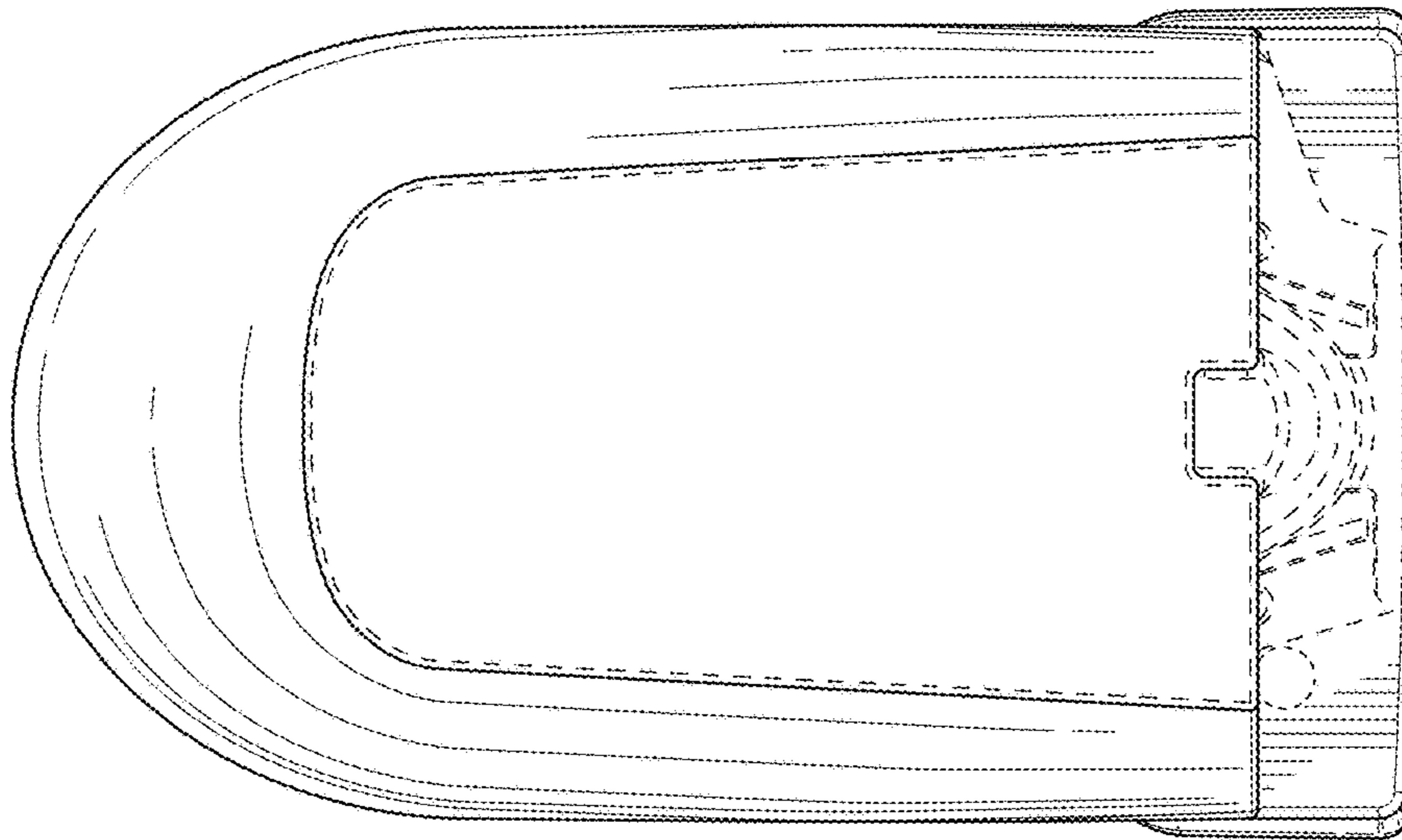


FIG. 7