



US00D798423S

(12) **United States Design Patent** (10) **Patent No.:** **US D798,423 S**
Aubin et al. (45) **Date of Patent:** **** Sep. 26, 2017**

(54) **PIPE WITH EXTENDED BELL PORTION**
(71) Applicant: **IPEX TECHNOLOGIES INC.,**
Oakville (CA)
(72) Inventors: **Ian Aubin**, Blainville (CA); **Martin Kwan Yu Leung**, Oakville (CA)
(73) Assignee: **IPEX TECHNOLOGIES INC.,**
Mississauga (CA)
(**) Term: **15 Years**
(21) Appl. No.: **29/505,554**
(22) Filed: **Dec. 21, 2015**
(51) **LOC (10) Cl.** **23-01**
(52) **U.S. Cl.**
USPC **D23/266**
(58) **Field of Classification Search**
USPC D23/259–262, 266–268; 285/5, 31, 53,
285/55, 104, 189, 332
CPC B28B 21/00; B28B 21/74; B28B 31/1107;
F16L 17/1107; F16L 17/00; F16L 21/03
See application file for complete search history.

(56) **References Cited**

U.S. PATENT DOCUMENTS

2,383,582 A * 8/1945 Barbehenn B28B 21/74
138/177
2,818,084 A * 12/1957 Tennison, Jr. F16L 17/035
138/168
D215,002 S * 8/1969 Bauman D23/262
D364,449 S * 11/1995 Ellenberger D23/262
D405,430 S * 2/1999 Matsushima D13/182
D428,805 S * 8/2000 Sato D23/262
D480,454 S * 10/2003 Filer D23/262
D586,447 S * 2/2009 Thomas D23/303
D590,483 S * 4/2009 Thomas D23/303
D591,407 S * 4/2009 Youssef D23/266
D631,542 S * 1/2011 DeGross D24/129
D709,994 S * 7/2014 King D23/259
D720,051 S * 12/2014 Dole D23/266

D723,672 S * 3/2015 Larkin D23/268
D727,207 S * 4/2015 Anderson D12/42
2008/0001401 A1* 1/2008 Quesada F16L 21/03
285/260
2008/0018017 A1* 1/2008 Quesada F16L 21/03
264/249
2014/0374994 A1* 12/2014 Monteil F16L 17/035
277/314

OTHER PUBLICATIONS

TerraBrute for HDD applications, Pipe, YouTube Video, <https://www.youtube.com/watch?v=FQPAJbbvfoE> Published Nov. 6, 2009, Found Oct. 17, 2016.*

* cited by examiner

Primary Examiner — Eric Goodman
Assistant Examiner — Amy Wierenga

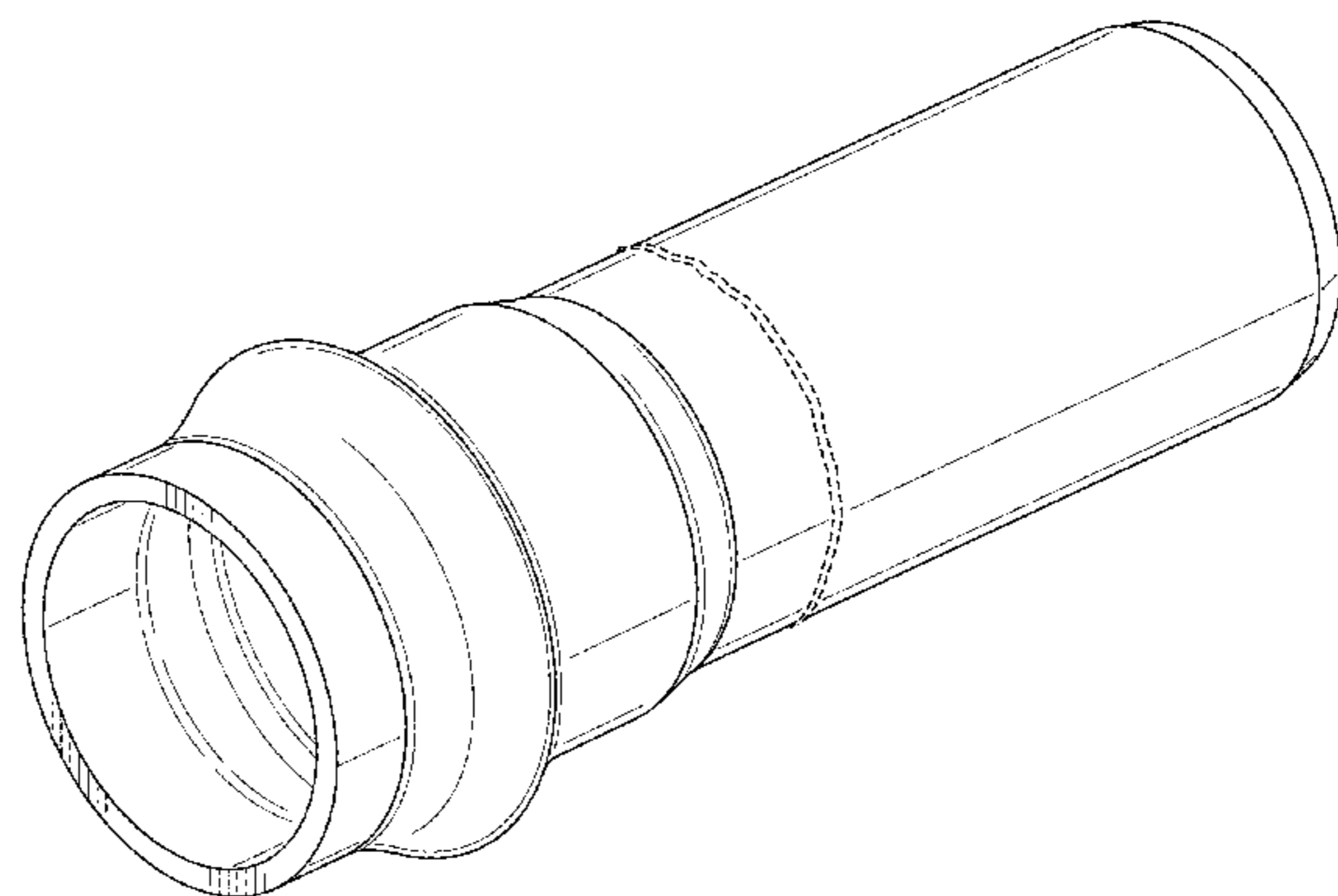
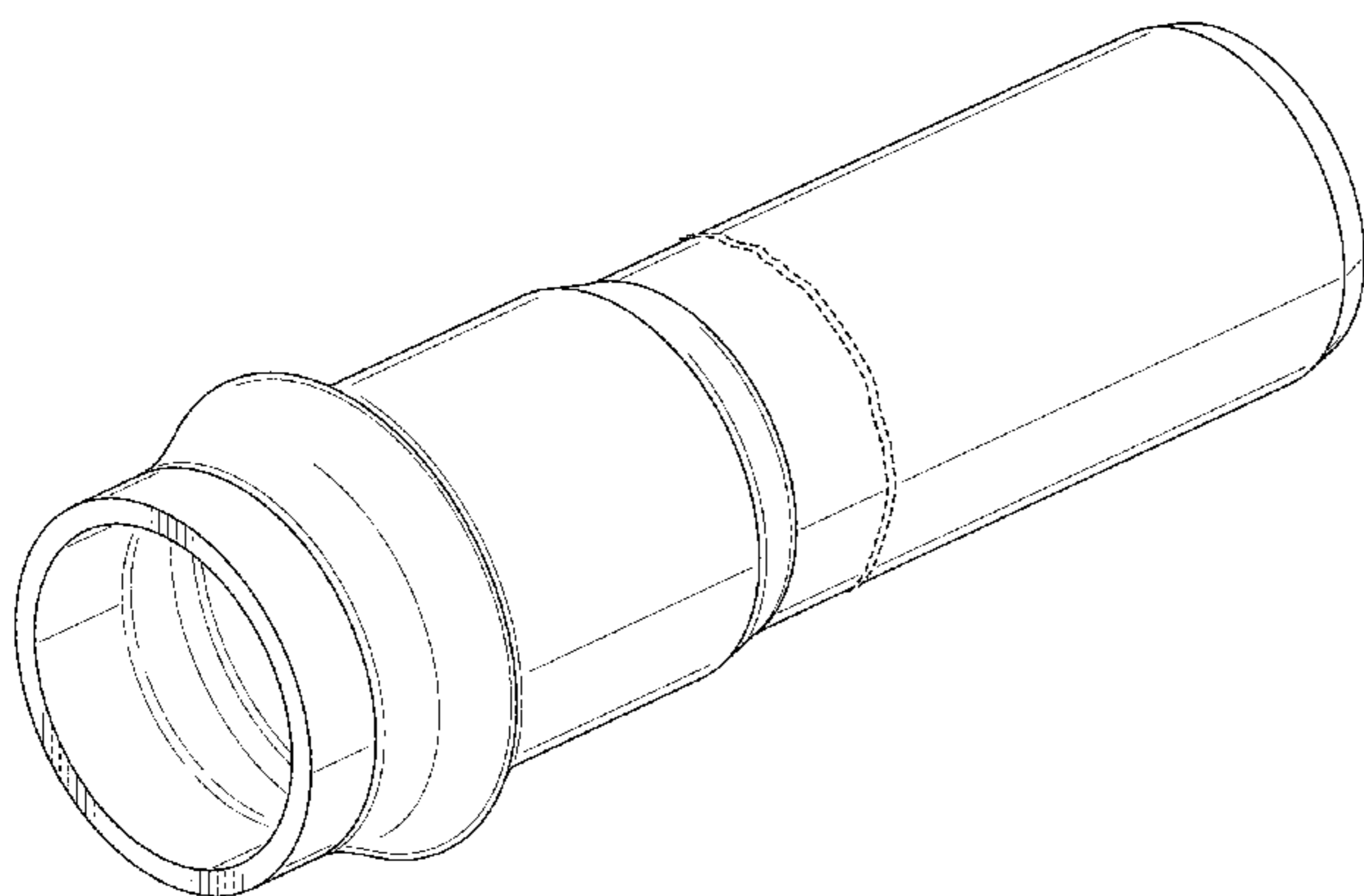
(57) **CLAIM**

We claim the ornamental design for a pipe with extended bell portion, as shown and described.

DESCRIPTION

FIG. 1 is a front perspective view showing a first embodiment of our design;
FIG. 2 is a side elevational view thereof;
FIG. 3 is a front elevational view thereof;
FIG. 4 is a rear elevational view thereof;
FIG. 5 is a front perspective view showing a second embodiment of our design;
FIG. 6 is a side elevational view thereof;
FIG. 7 is a front elevational view thereof; and,
FIG. 8 is a rear elevational view thereof.
The dashed broken lines depict portions of the article that form no part of the claim. FIGS. 1-2 and FIGS. 5-6 are shown with a symbolic break in their length. The appearance of any portion of the article between the break lines forms no part of the claimed design.

1 Claim, 6 Drawing Sheets



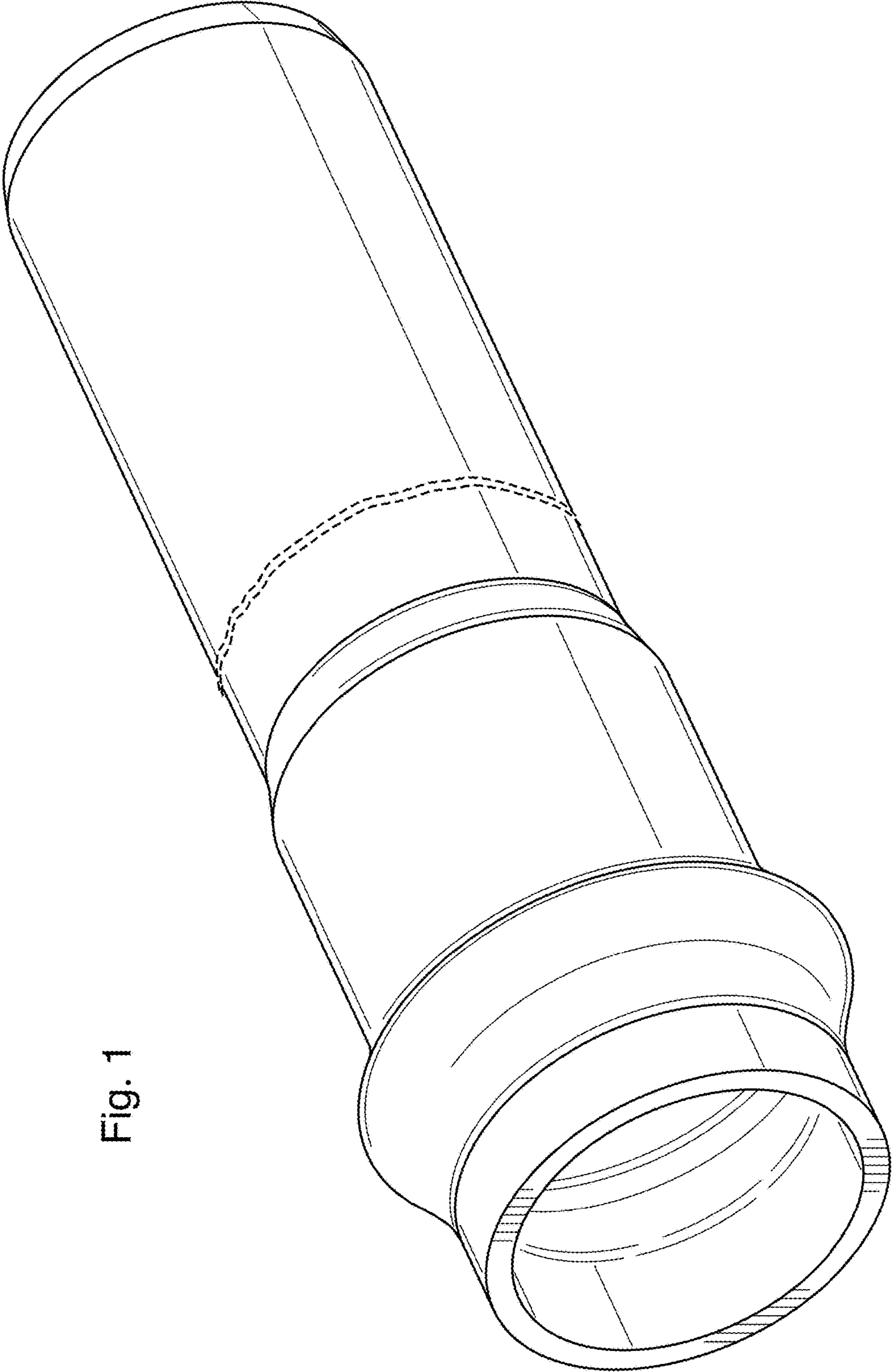


Fig. 1

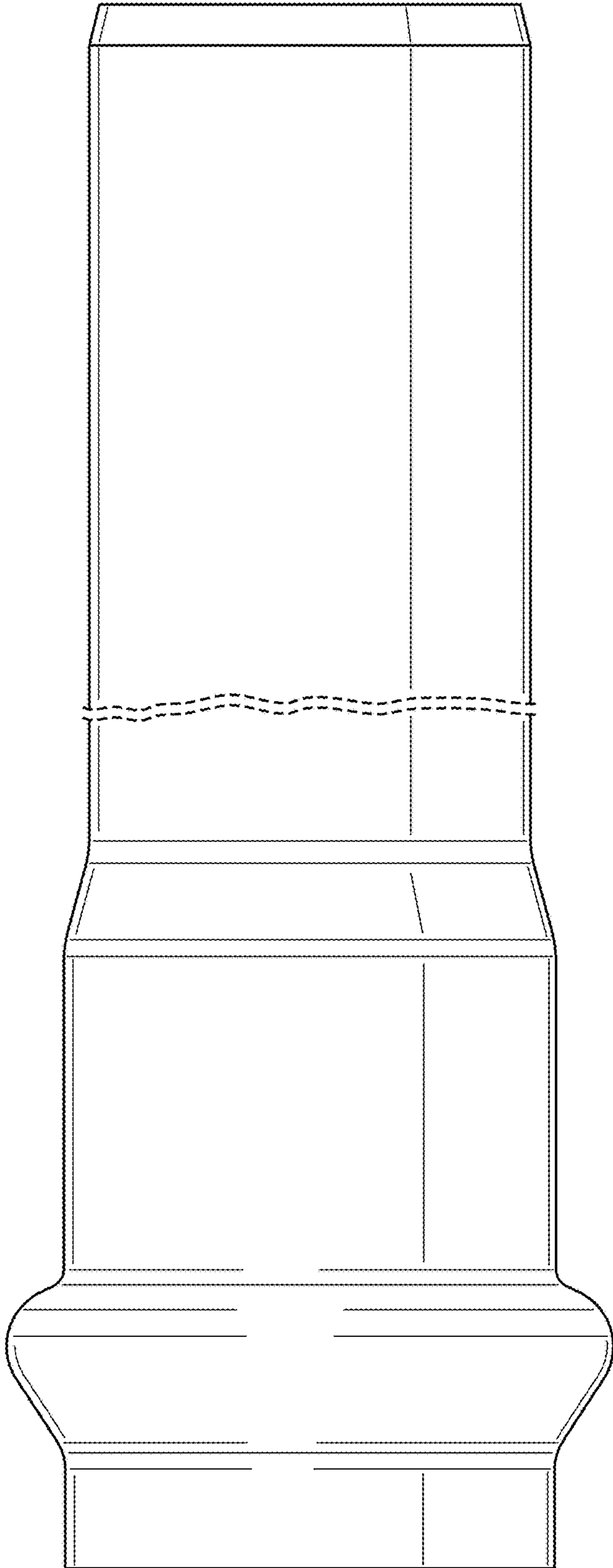


Fig. 2

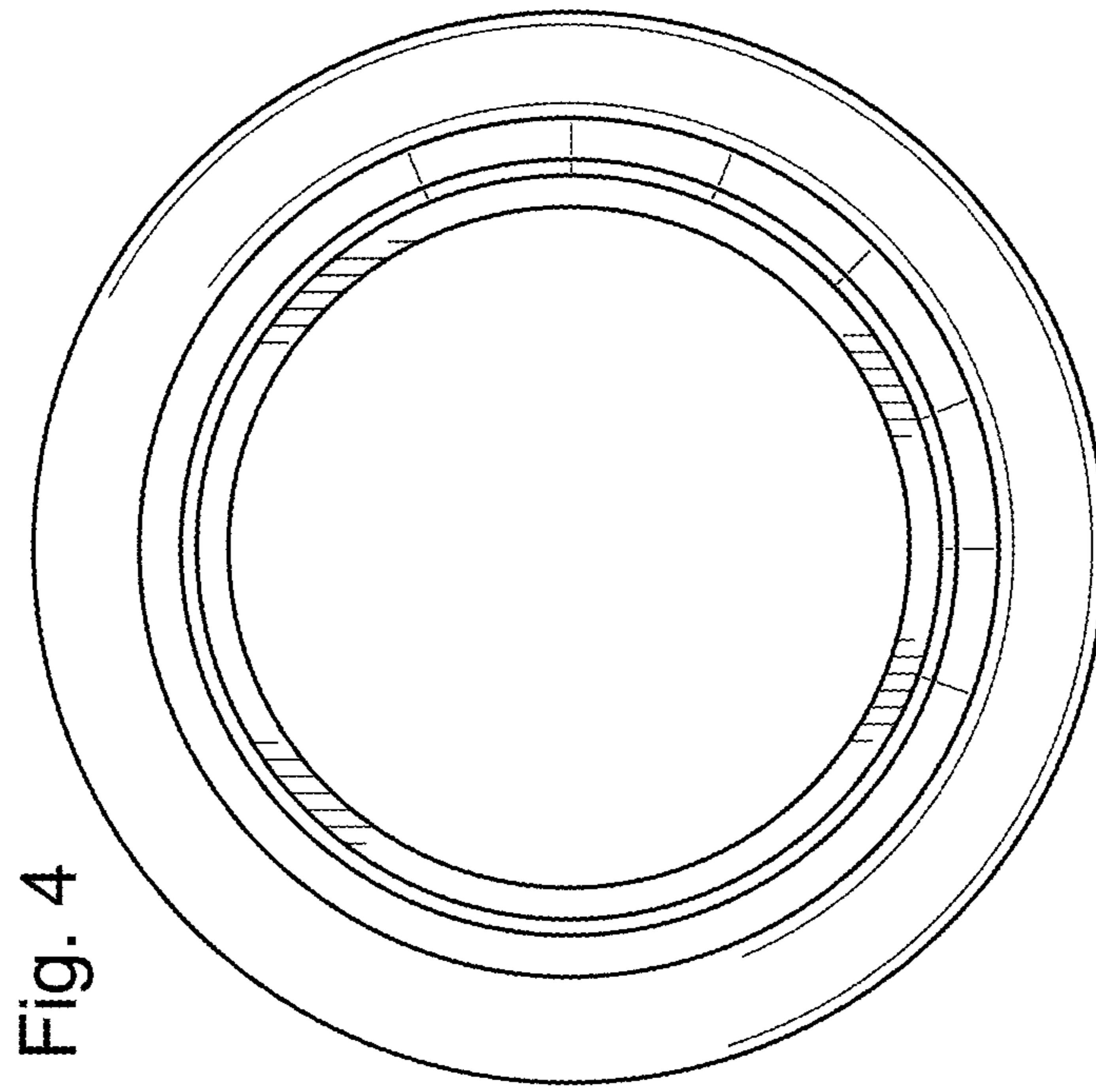


Fig. 4

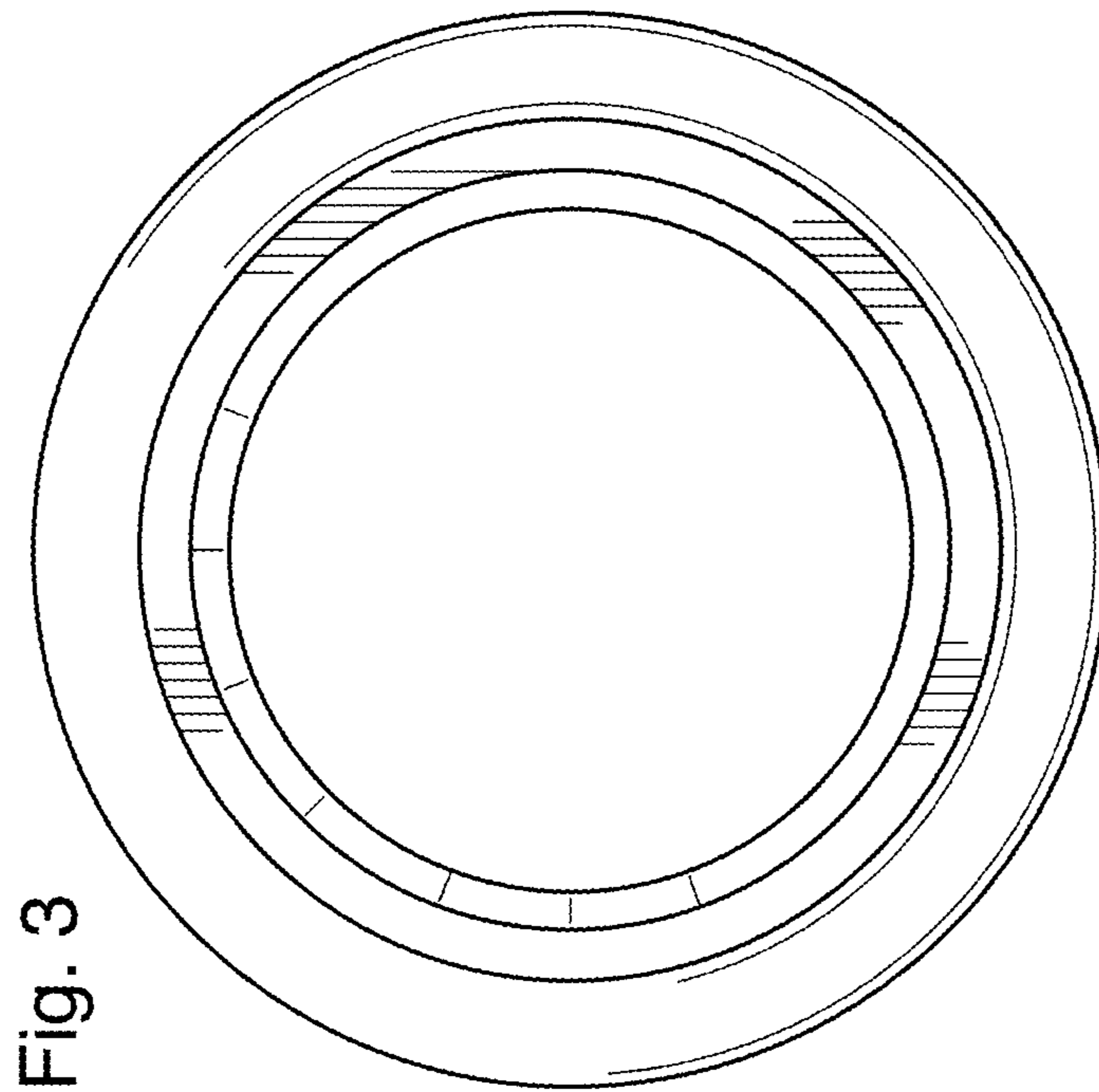


Fig. 3

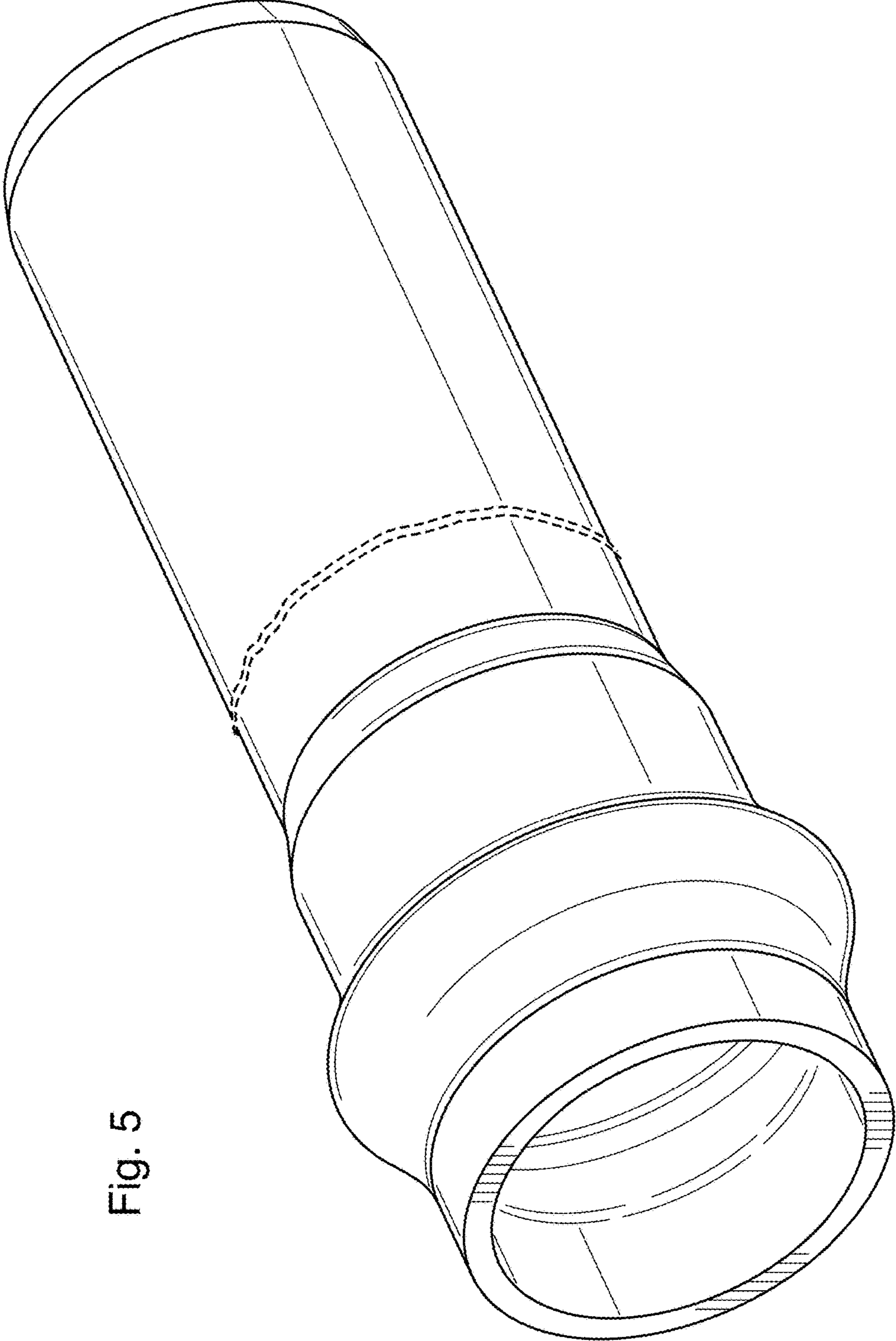


Fig. 5

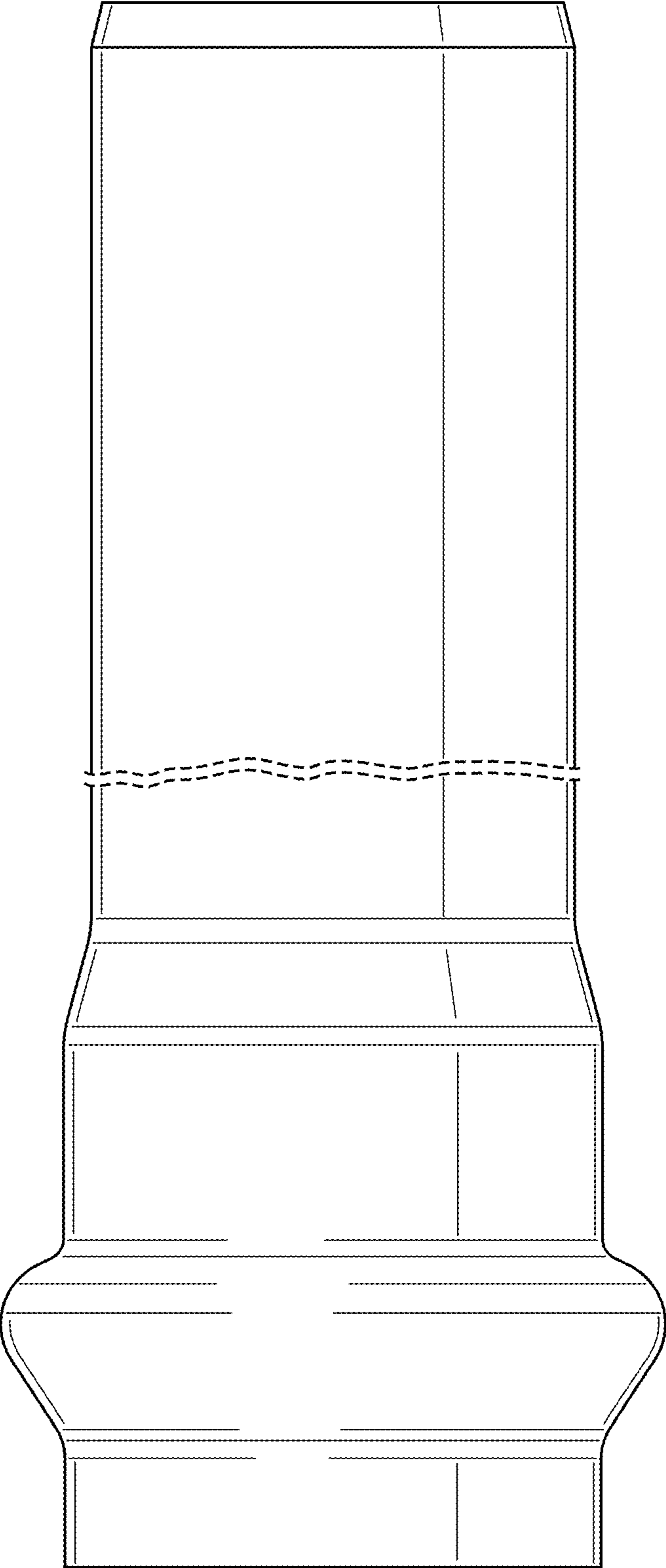


Fig. 6

Fig. 8

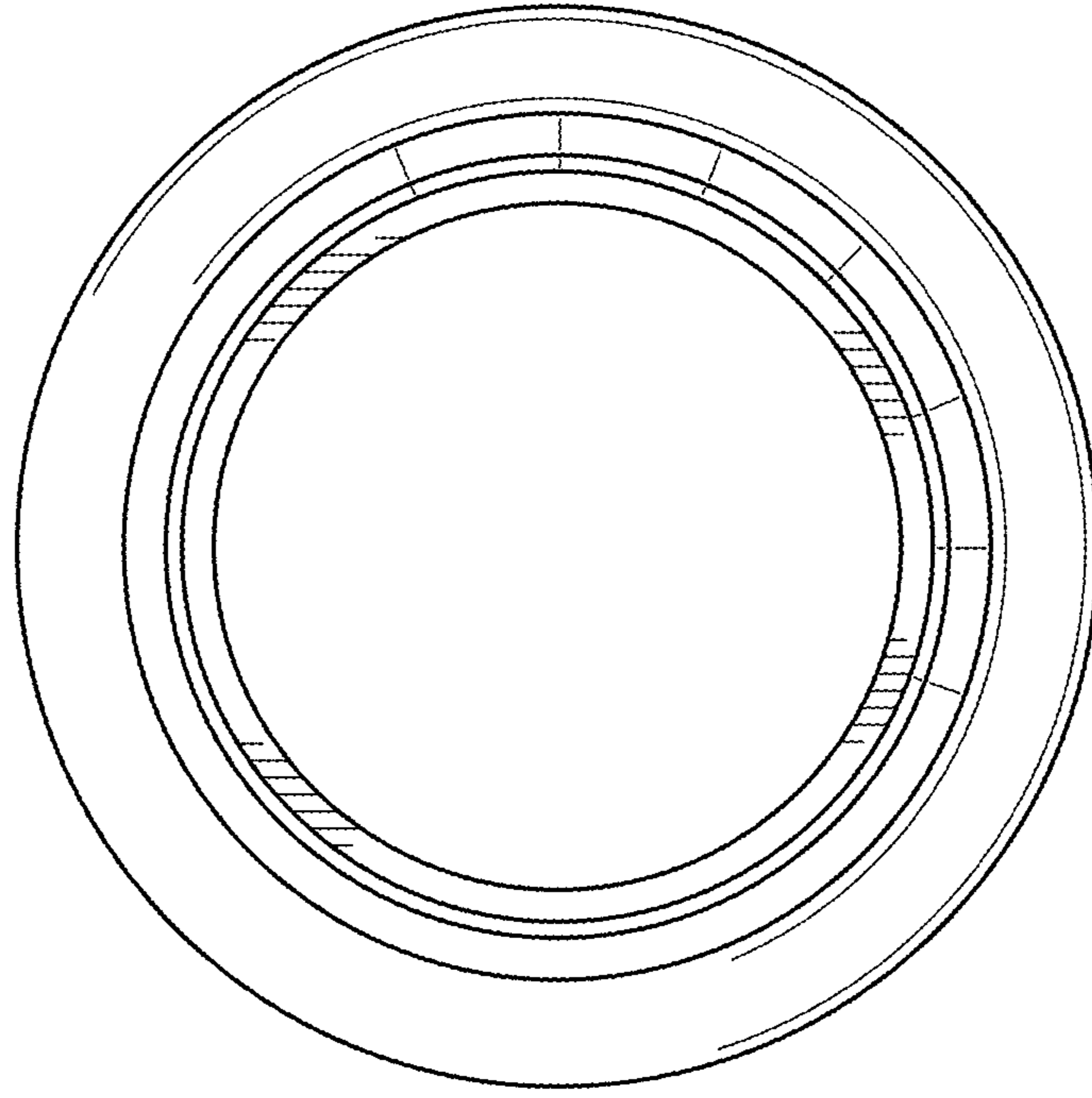


Fig. 7

