

US00D798422S

(12) **United States Design Patent** (10) **Patent No.:** **US D798,422 S**
Yarborough (45) **Date of Patent:** **** Sep. 26, 2017**

- (54) **DRAIN FLANGE**
- (71) Applicant: **Samuel D. Yarborough**, Freindswood, TX (US)
- (72) Inventor: **Samuel D. Yarborough**, Freindswood, TX (US)
- (**) Term: **15 Years**
- (21) Appl. No.: **29/551,310**
- (22) Filed: **Jan. 12, 2016**

Related U.S. Application Data

- (63) Continuation-in-part of application No. 13/998,530, filed on Nov. 7, 2013, now abandoned.
- (51) **LOC (10) Cl.** **23-01**
- (52) **U.S. Cl.**
USPC **D23/261; D23/269**
- (58) **Field of Classification Search**
USPC D23/259-263, 265-269, 303, 394;
285/97, 99, 104-105, 108; 4/252.2,
4/252.4, 252.6
CPC E03D 11/02; E03D 11/08; E03D 11/13;
E03D 11/14; E03D 11/16; E03D 11/17;
E03D 11/18; E03D 11/143; E03D 11/135
See application file for complete search history.

(56) **References Cited**

U.S. PATENT DOCUMENTS

- 1,217,965 A * 3/1917 Lloyd E03D 11/14
285/343
- 2,743,460 A * 5/1956 Youngstrom E03D 1/26
248/27.1
- 3,967,326 A 7/1976 Tammen
- 4,185,334 A 1/1980 Izzi
- 4,355,828 A 10/1982 Taunton
- 4,445,237 A * 5/1984 Paul F16L 41/086
285/211
- 4,946,203 A 8/1990 Giametta
- D510,260 S * 10/2005 Jennings D8/398
- D644,721 S * 9/2011 Bond D23/269

- 8,528,121 B2 * 9/2013 Stonecipher E03D 11/14
4/252.1
- D714,917 S * 10/2014 Miller D23/269
- 8,875,320 B2 * 11/2014 Pen nuri E03D 11/16
4/252.4
- 9,315,980 B2 * 4/2016 Stonecipher E03D 11/14
- 2010/0088811 A1 * 4/2010 Coronado E03D 11/14
4/252.4
- 2013/0152291 A1 * 6/2013 Stonecipher E03D 11/16
4/252.1

(Continued)

OTHER PUBLICATIONS

Flange, 2 In, Brass, For Waterless Urinals. Product Listing [online]. Grainger, 2012 [Retrieved on Aug. 8, 2012]. Retrieved from Internet: http://www.grainger.com/product/WATERLESS-NOFLUSH-URINAL-%20%20%20%20%20%20%20%20%20%20%20Flange-6XKC4?cm_mmc=CSE:GoogleBase-_-Plumbing-_-%2520%2520%2520%2520%2520%2520%2520%2520%2520%2520%2520Toilets%252FUrinals-_-6XKC4&ci_src=14110944&ci_sku=6XKC4.

Primary Examiner — Eric Goodman
Assistant Examiner — Amy Wierenga
(74) *Attorney, Agent, or Firm* — Robert C. Montgomery; Montgomery Patent Design

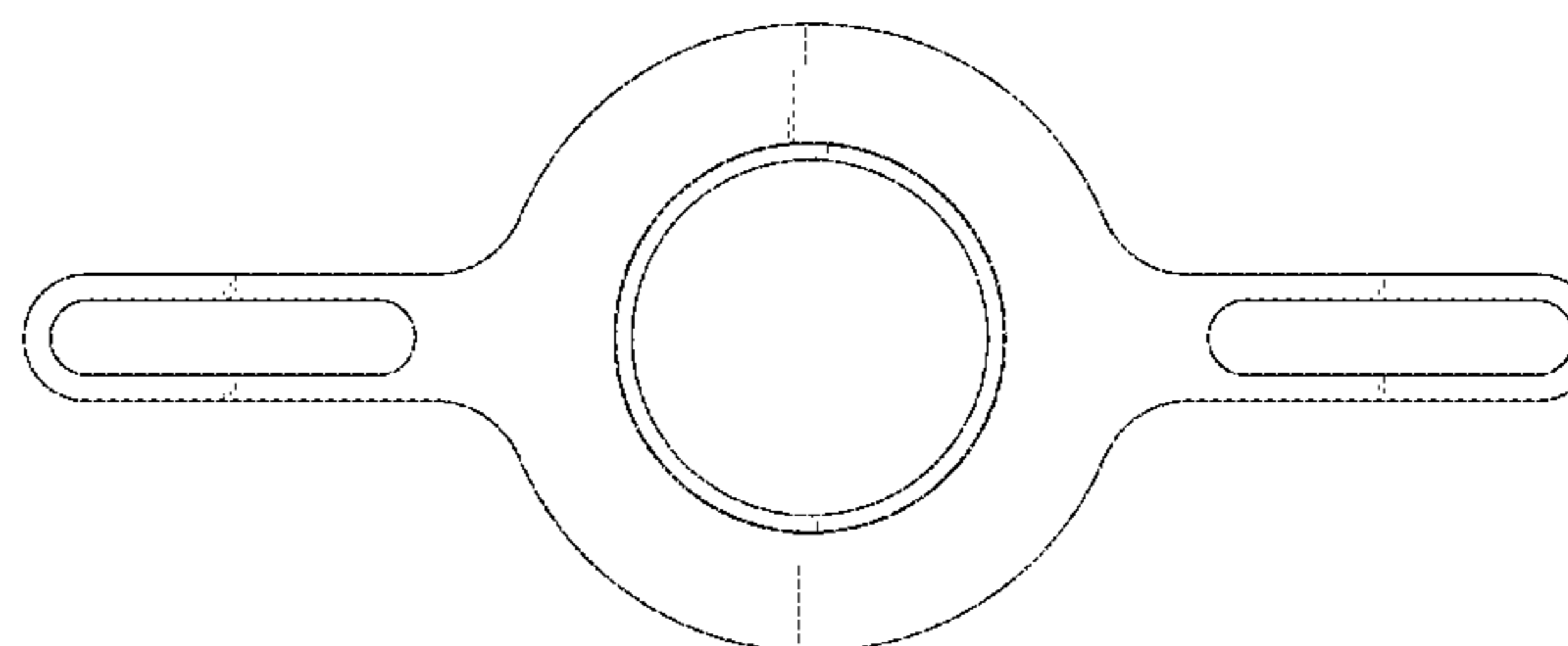
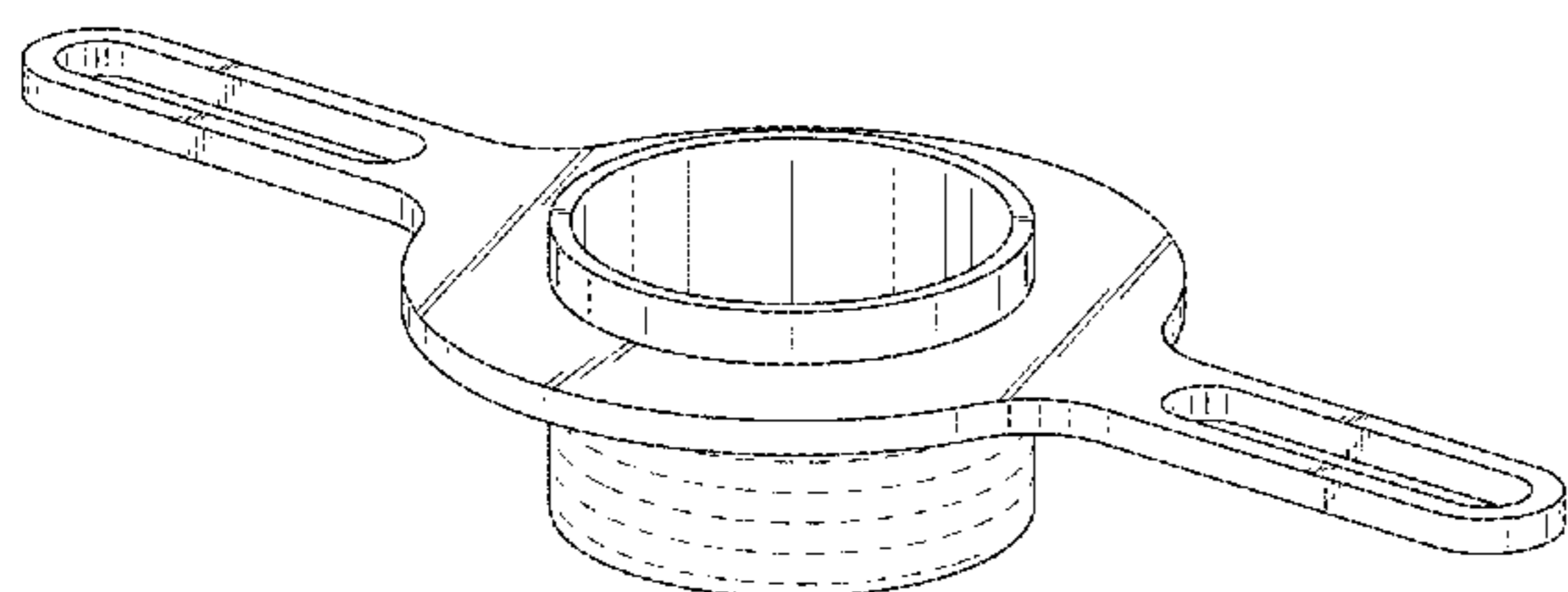
(57) **CLAIM**

The ornamental design for a drain flange, as shown and described.

DESCRIPTION

FIG. 1 is front side perspective view of a drain flange showing my new design;
FIG. 2 is a front side elevation view, wherein the rear side elevation view being a mirror image thereof;
FIG. 3 is a left side elevation view, wherein the right side elevation view is a mirror image thereof; and,
FIG. 4 is a top side plan view, wherein the bottom side plan view is a mirror image thereof.
The broken lines depict portions of the article that form no part of the claim.

1 Claim, 4 Drawing Sheets



(56)

References Cited

U.S. PATENT DOCUMENTS

2013/0180038 A1* 7/2013 Stonecipher E03D 11/16
4/252.2
2015/0135421 A1* 5/2015 Guthrie E03D 11/16
4/252.6
2015/0376887 A1* 12/2015 Coronado E03D 11/16
29/890.141
2016/0010774 A1* 1/2016 Davidson E03D 13/00
285/363

* cited by examiner

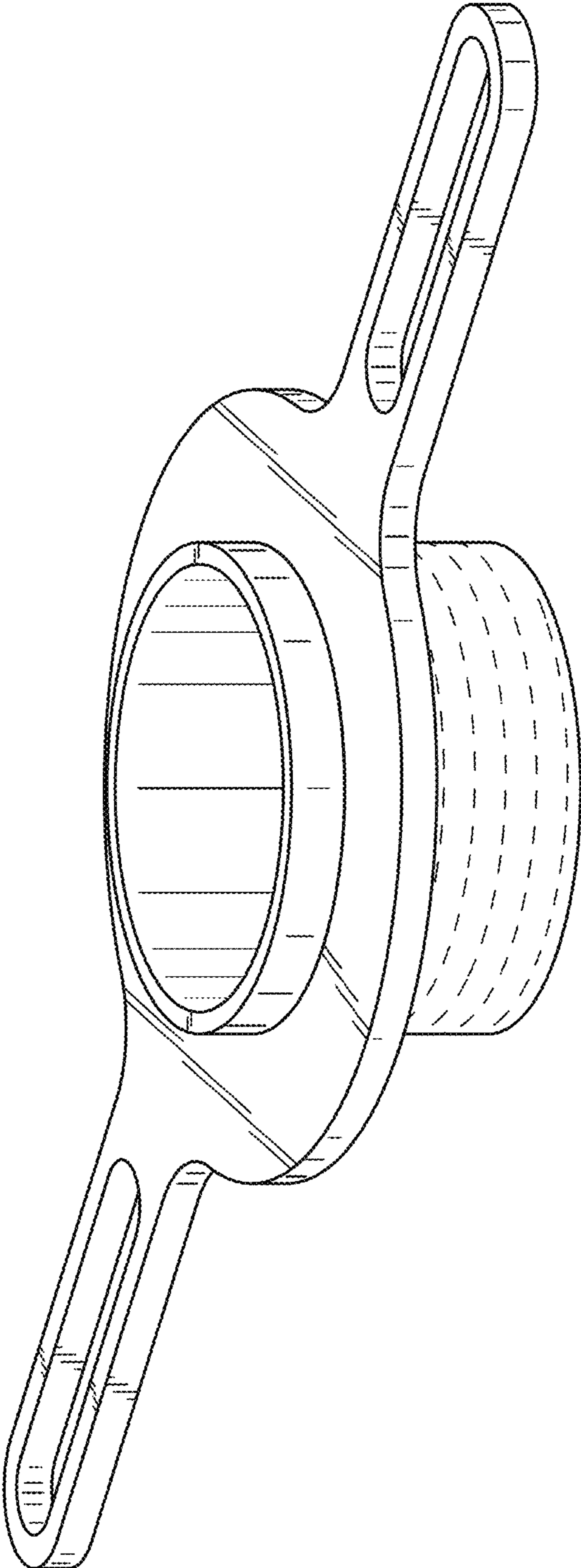


Fig. 1

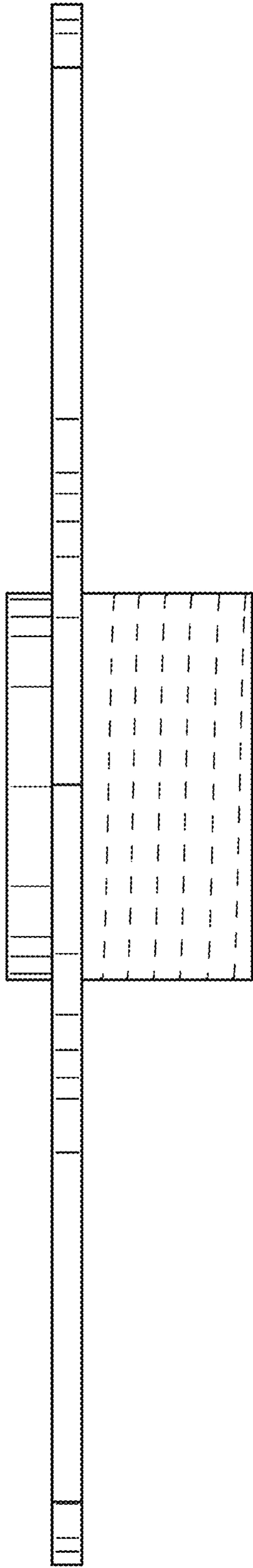


Fig. 2

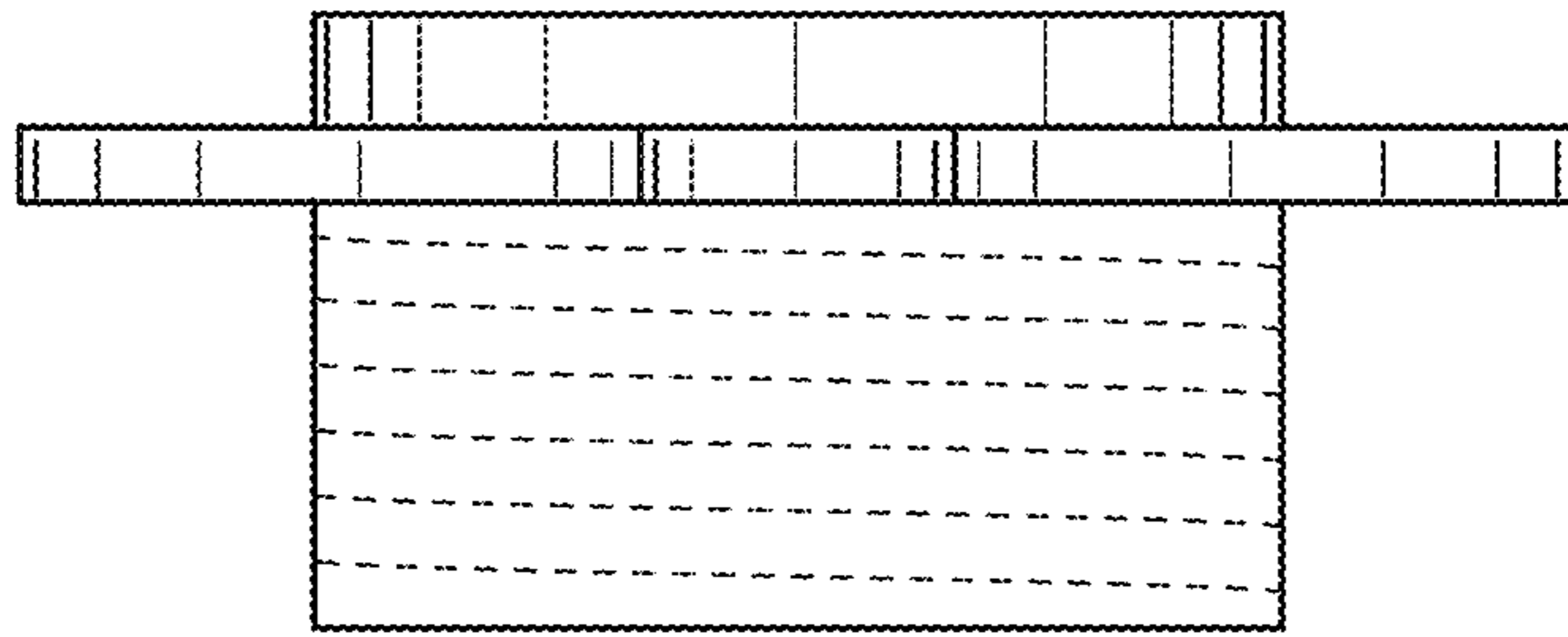


Fig. 3

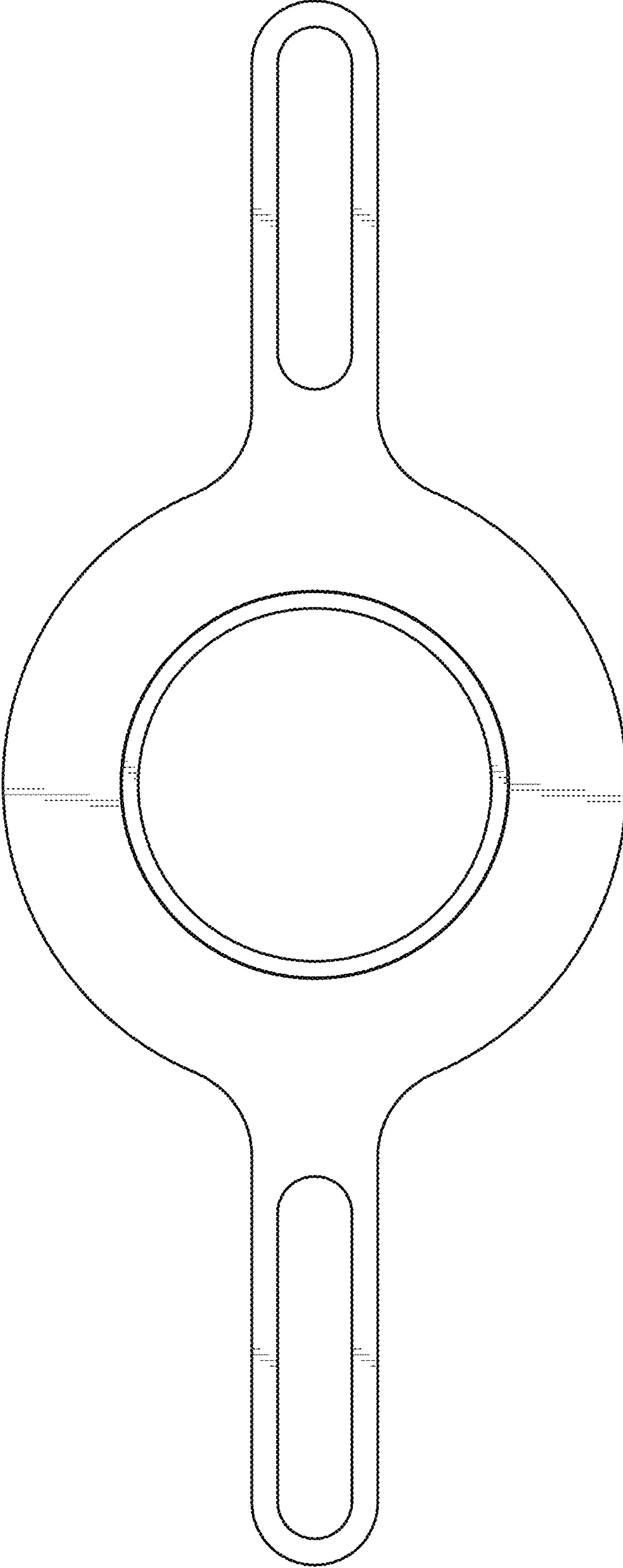


Fig. 4