



US00D798421S

(12) **United States Design Patent**  
**Eads**

(10) **Patent No.:** **US D798,421 S**

(45) **Date of Patent:** **\*\* Sep. 26, 2017**

(54) **TUB SPOUT**

(71) Applicant: **DELTA FAUCET COMPANY,**  
Indianapolis, IN (US)

(72) Inventor: **Thad Eads,** North Manchester, IN (US)

(73) Assignee: **DELTA FAUCET COMPANY,**  
Indianapolis, IN (US)

(\*\*) Term: **15 Years**

(21) Appl. No.: **29/592,141**

(22) Filed: **Jan. 27, 2017**

**Related U.S. Application Data**

(62) Division of application No. 29/551,093, filed on Jan. 11, 2016, now Pat. No. Des. 782,013.

(51) **LOC (10) Cl.** ..... **23-01**

(52) **U.S. Cl.**

USPC ..... **D23/257**

(58) **Field of Classification Search**

USPC ..... D23/238, 241-243, 249, 255, 257

CPC ..... E03C 1/04; E03C 1/0401; E03C 1/0402;

E03C 1/0404; F16K 31/602; F16K

31/605; F16K 31/607

See application file for complete search history.

(56) **References Cited**

**U.S. PATENT DOCUMENTS**

D317,349 S \* 6/1991 Rodstein ..... D23/242

D517,169 S \* 3/2006 Ogata ..... D23/238

D522,092 S \* 5/2006 Hoernig ..... D23/238

D575,851 S \* 8/2008 Ko ..... D23/241

D583,024 S \* 12/2008 Downey ..... D23/255

D678,986 S \* 3/2013 Lord ..... D23/255

D691,242 S \* 10/2013 Gessi ..... D23/238

D757,231 S \* 5/2016 Garland ..... D23/257

\* cited by examiner

*Primary Examiner* — Robert Delehanty

(74) *Attorney, Agent, or Firm* — Edgar A. Zarins; Nirav D. Parikh

(57) **CLAIM**

The ornamental design or a tub spout, as shown and described.

**DESCRIPTION**

FIG. 1 is a perspective view of a tub spout showing my new design;

FIG. 2 is a top plan view thereof;

FIG. 3 is a bottom view thereof;

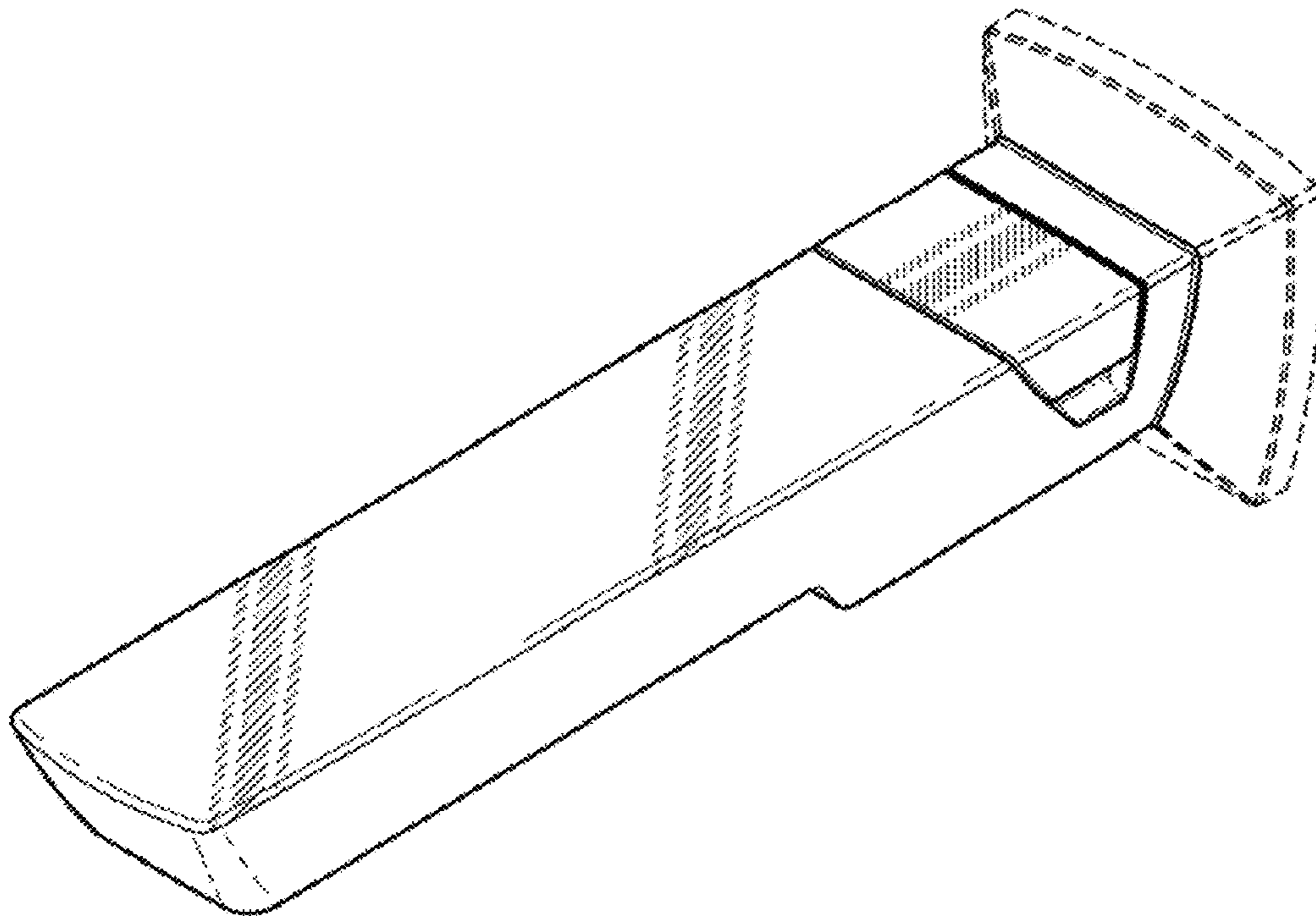
FIG. 4 is a left side view thereof, the opposite side being a mirror image of the side shown;

FIG. 5 is a front end view thereof; and,

FIG. 6 is a rear view thereof.

The broken line showing a portion of the faucet is included for the purpose of illustrating a portion of the faucet that forms no part of the claimed design.

**1 Claim, 2 Drawing Sheets**



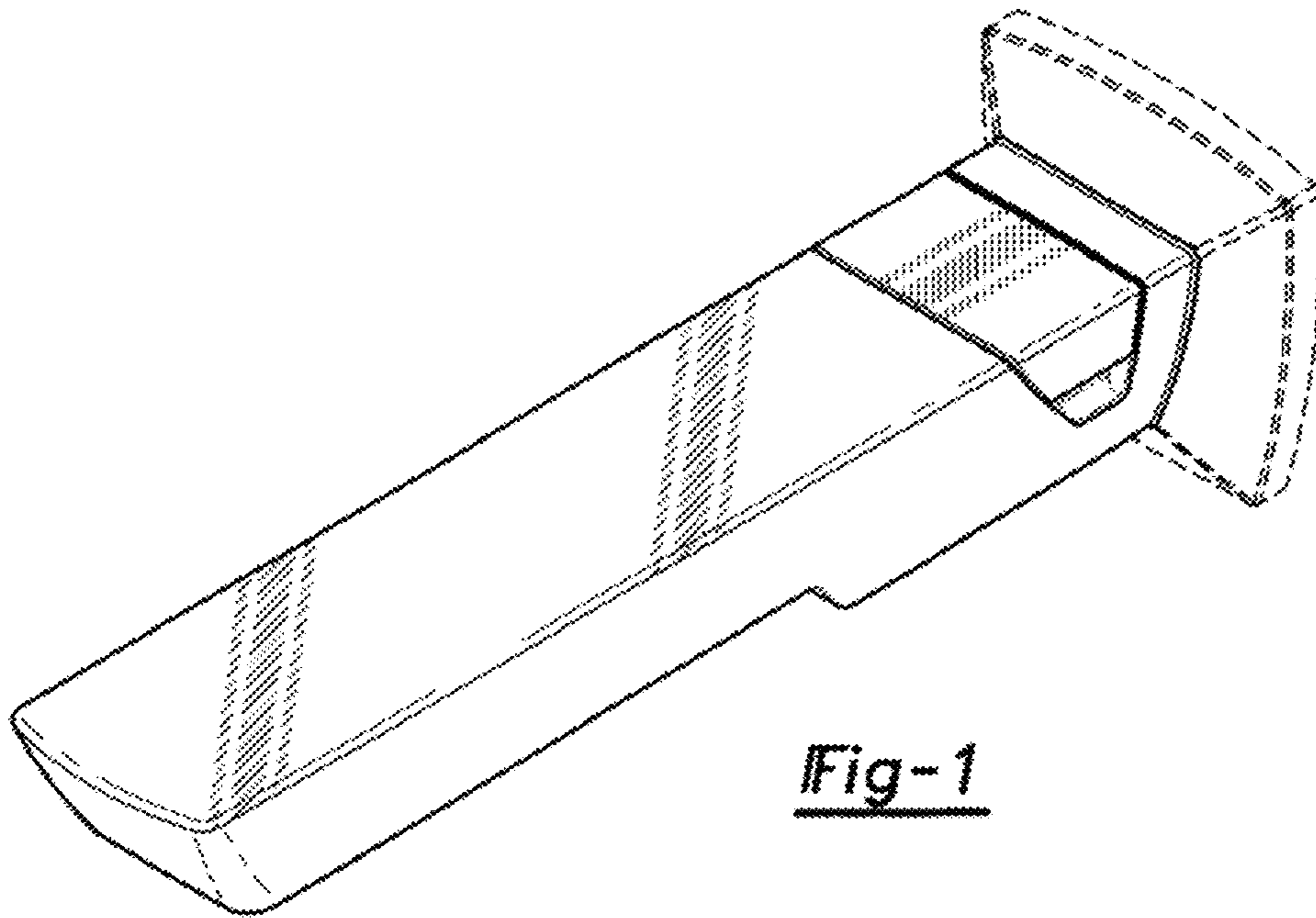


Fig-1

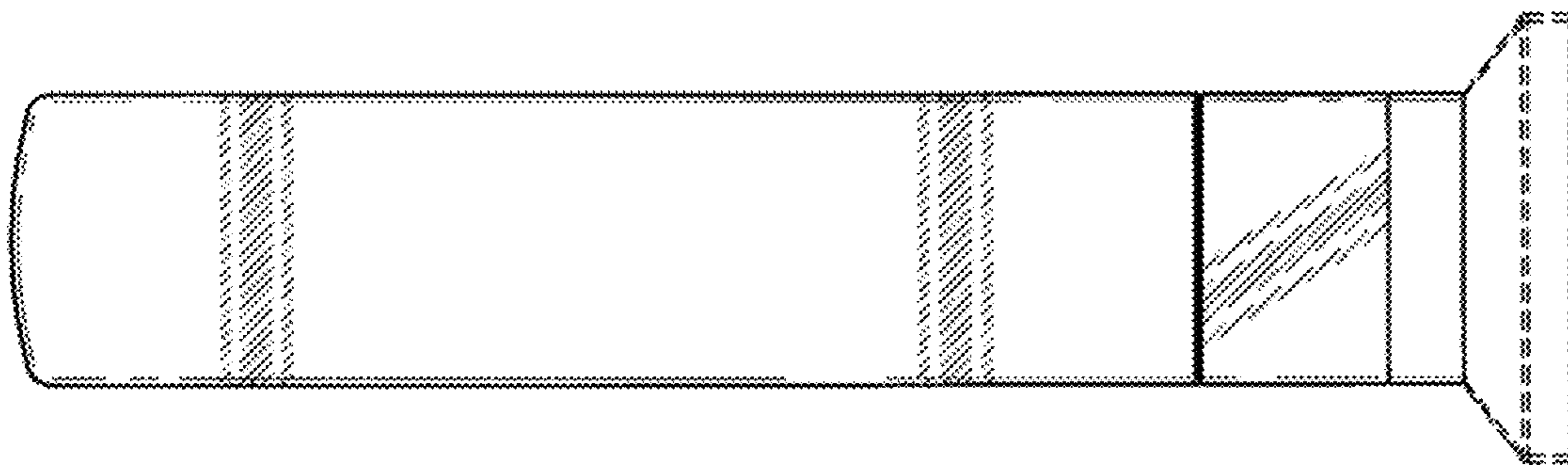


Fig-2

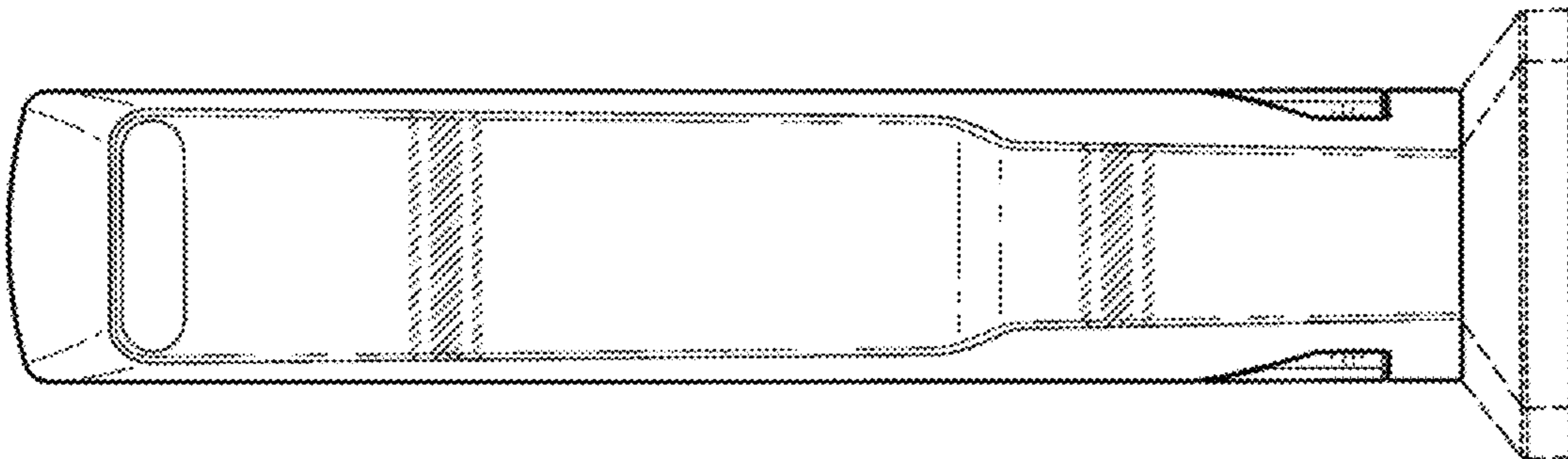


Fig-3

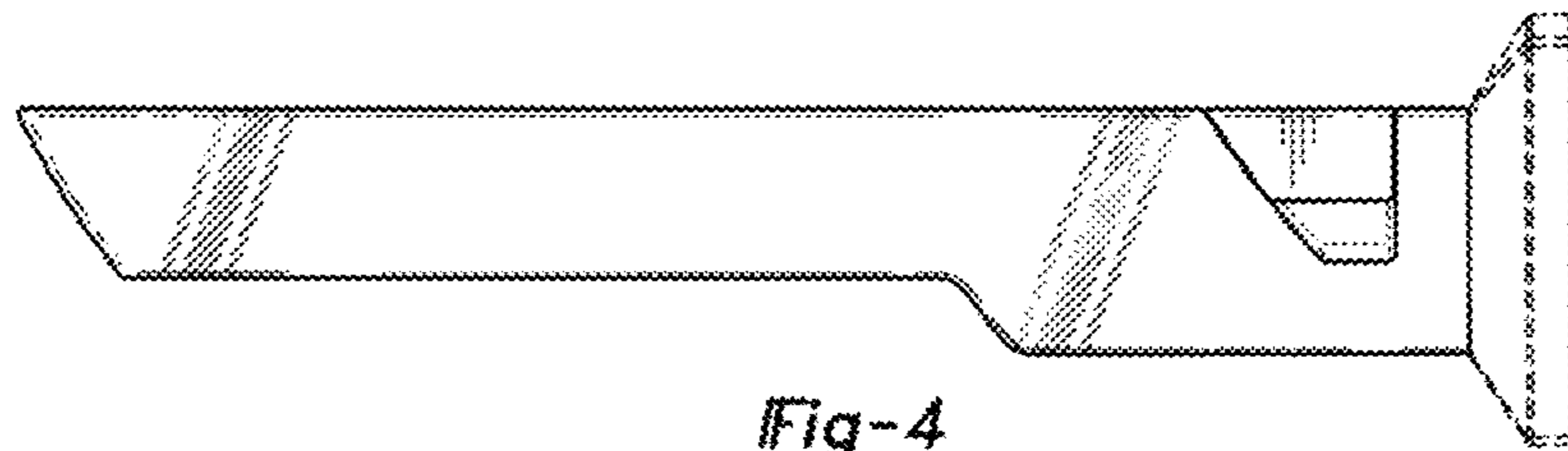


Fig-4

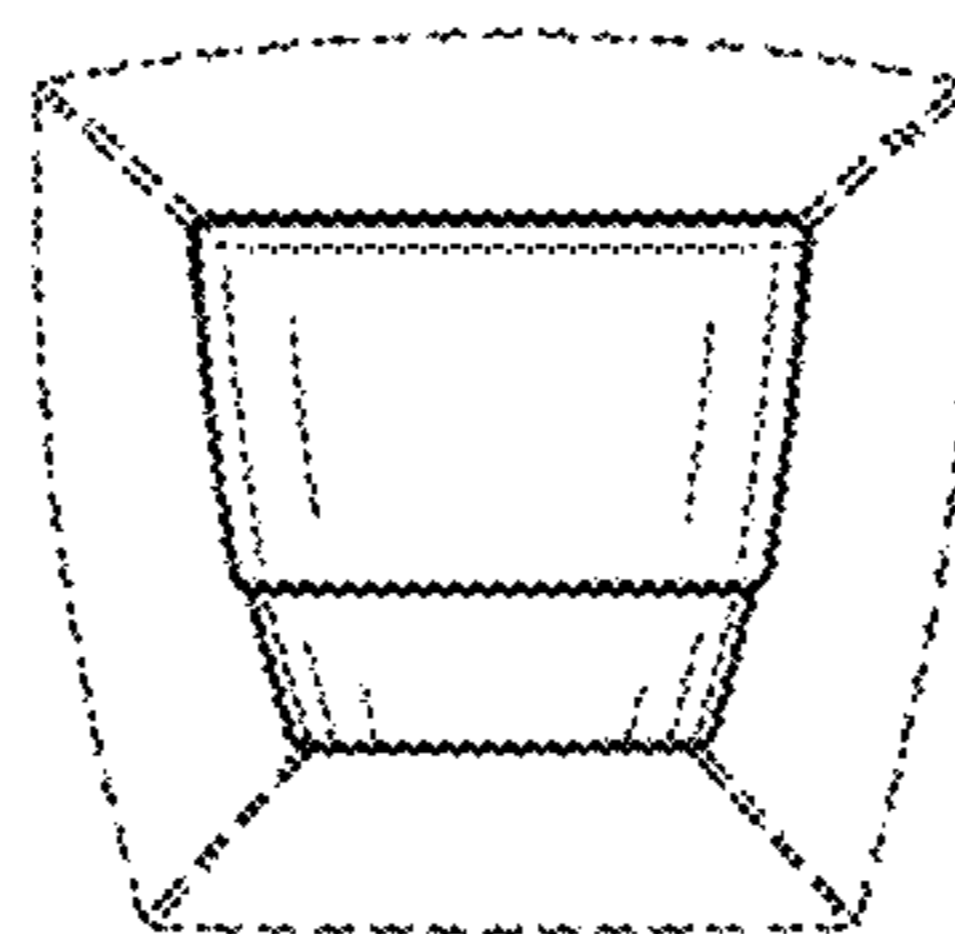


Fig-5

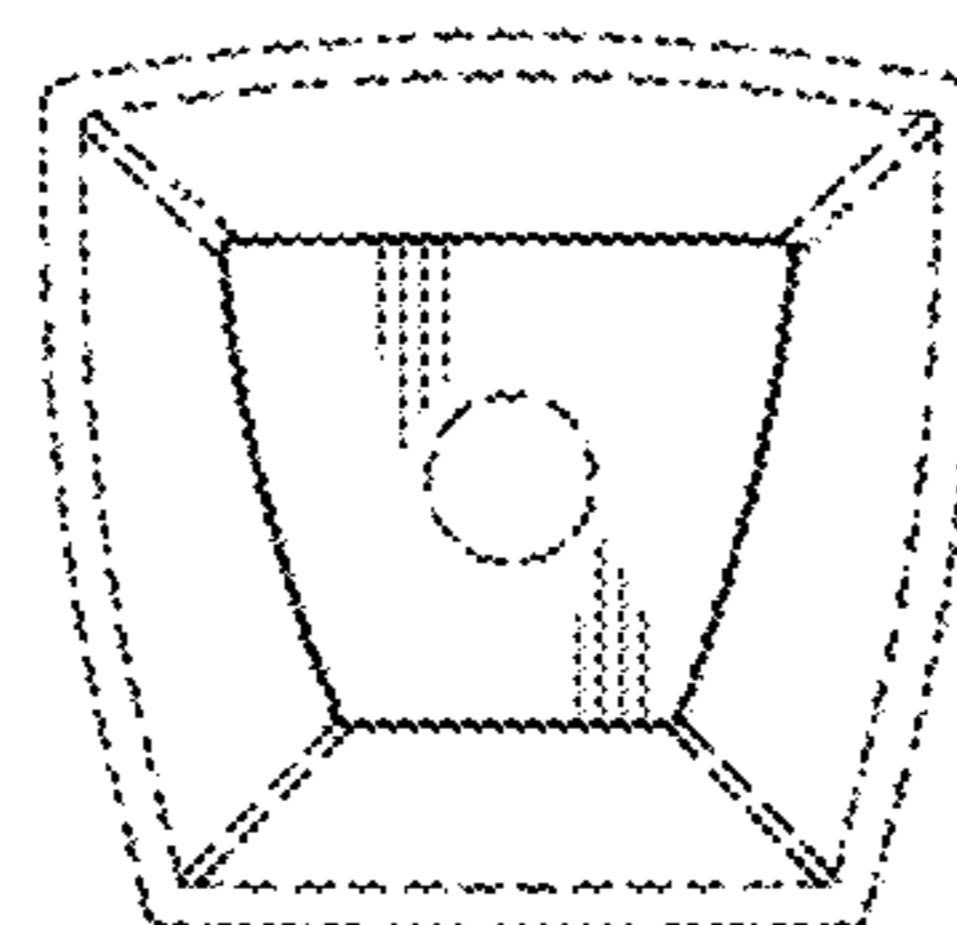


Fig-6