



US00D798416S

(12) **United States Design Patent** (10) **Patent No.:** **US D798,416 S**  
**Zenanko** (45) **Date of Patent:** **\*\* Sep. 26, 2017**

(54) **FISH FINDER DEVICE HOUSING**

FOREIGN PATENT DOCUMENTS

(71) Applicant: **Vexilar, Inc.**, Minneapolis, MN (US)

WO WO 2013/186576 A1 12/2013

(72) Inventor: **Tom Zenanko**, Shakopee, MN (US)

OTHER PUBLICATIONS

(73) Assignee: **Vexilar, Inc.**, Minneapolis, MN (US)

SmartCast™ Mode Operations Manual, Hummingbird, 12 pages, (prior to May 12, 2014).

(\*\*) Term: **15 Years**

(Continued)

(21) Appl. No.: **29/572,114**

*Primary Examiner* — Catherine R Oliver-Garcia

(22) Filed: **Jul. 25, 2016**

(74) *Attorney, Agent, or Firm* — Patterson Thuent Pedersen, P.A.

**Related U.S. Application Data**

(63) Continuation of application No. 14/291,247, filed on May 30, 2014, now Pat. No. 9,408,378.

(51) **LOC (10) Cl.** ..... **22-05**

(52) **U.S. Cl.**  
USPC ..... **D22/134**

(58) **Field of Classification Search**  
USPC ..... D22/134, 149; 43/26.1; 367/96, 99, 107, 367/111, 908

CPC ..... A01K 97/00; B63B 35/00; B63B 1/121; B63B 2035/008; G01S 7/521

See application file for complete search history.

(56) **References Cited**

U.S. PATENT DOCUMENTS

807,875	A	12/1905	Shinners	
2,490,669	A	12/1949	Burke	
2,591,558	A	4/1952	Kramer	
2,884,734	A	5/1959	Binkowski	
5,463,597	A	10/1995	Harlev	
5,495,689	A	3/1996	Cassem	
5,546,695	A	8/1996	Langer	
5,887,376	A	3/1999	Currier et al.	
6,122,852	A	9/2000	Mechling, IV	
D459,783	S *	7/2002	Tseng	D22/134
6,693,847	B2	2/2004	Betts	

(Continued)

(57) **CLAIM**

I claim the ornamental design for fish finder device housing, as shown and described.

**DESCRIPTION**

FIG. 1 is a top perspective view of a fish finder device housing according to the invention;

FIG. 2 is a top view of the fish finder device housing depicted in FIG. 1.

FIG. 3 is a bottom perspective view of the fish finder device housing depicted in FIG. 1

FIG. 4 is a bottom view of the fish finder device housing depicted in FIG. 1.

FIG. 5 is a first side view of the fish finder device housing depicted in FIG. 1.

FIG. 6 is a second side view of the fish finder device housing depicted in FIG. 1.

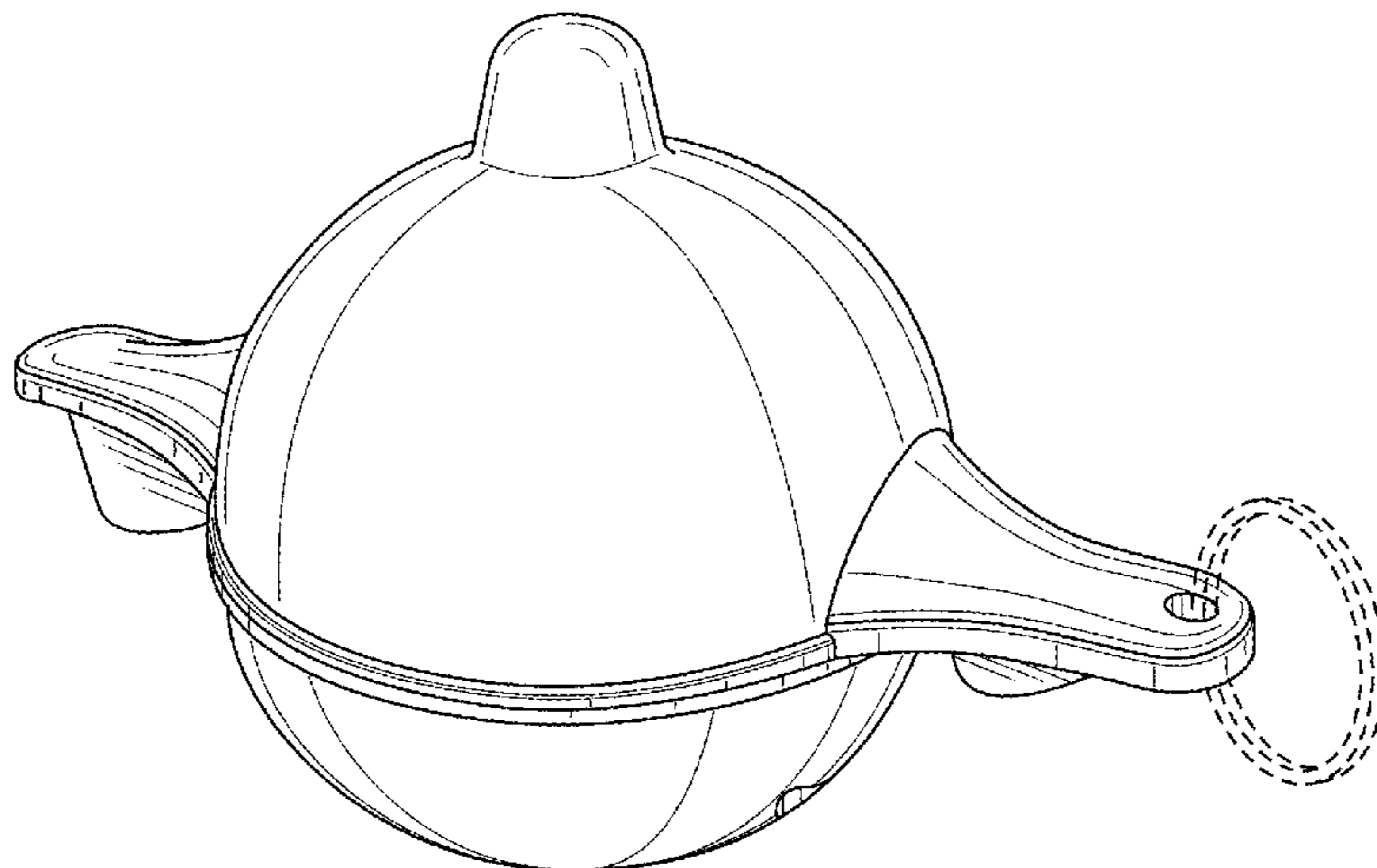
FIG. 7 is a first end view of the fish finder device housing depicted in FIG. 1; and,

FIG. 8 is a second end view of the fish finder device housing depicted in FIG. 1.

Items shown in broken lines are for illustrative purposes only and form no part of the claimed invention.

The broken lines depict environment and are included for the purpose of illustrating only and form no part of the claimed design.

**1 Claim, 4 Drawing Sheets**



(56)

**References Cited**

U.S. PATENT DOCUMENTS

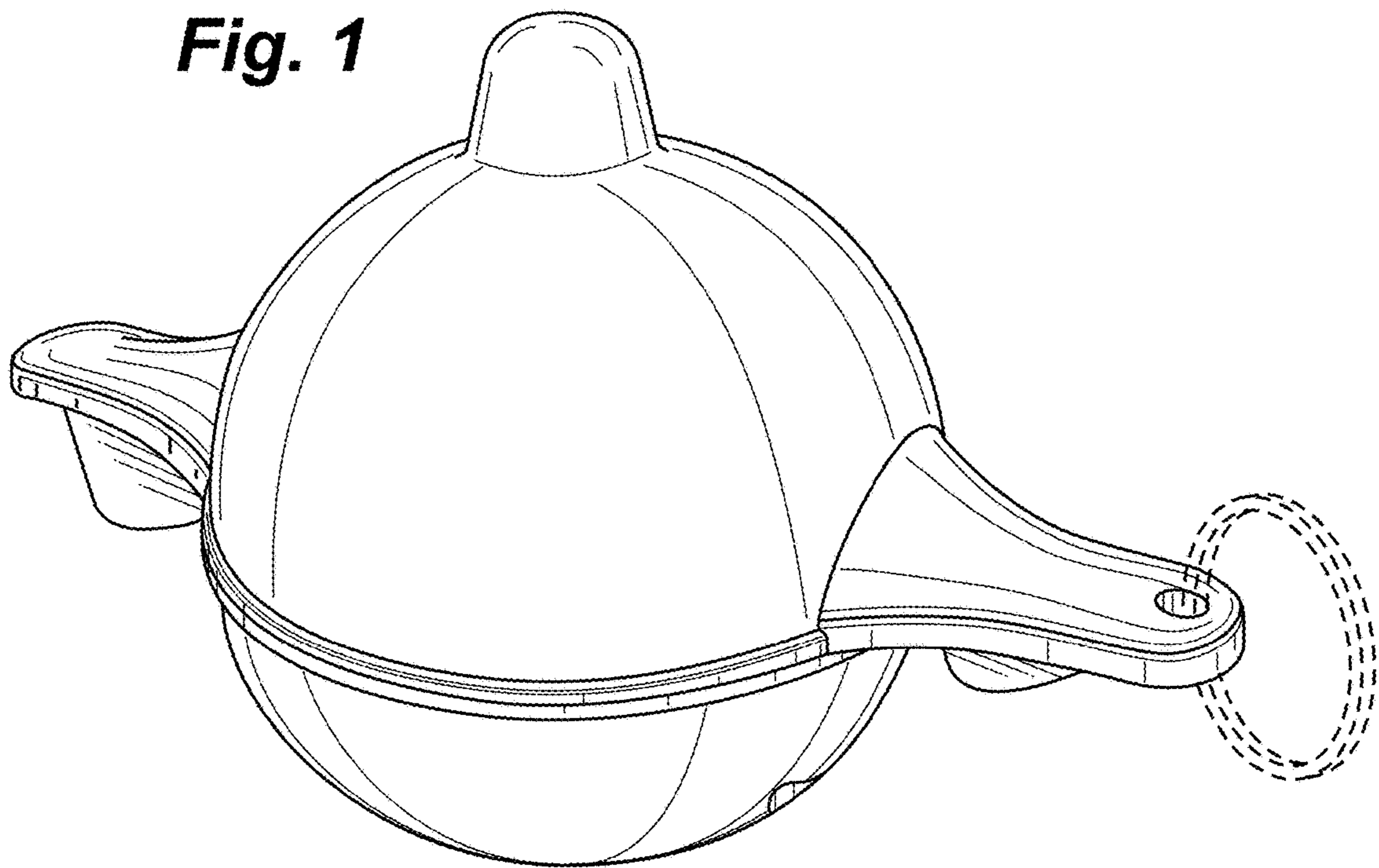
6,771,562	B2	8/2004	Betts et al.	
6,791,902	B1 *	9/2004	Steiner .....	G01S 7/521 367/111
D504,490	S *	4/2005	Bedros .....	D22/134
7,554,884	B2	6/2009	Park	
8,154,953	B1 *	4/2012	Sims .....	A01K 97/00 367/107
D689,586	S *	9/2013	Zuch .....	D22/134
D742,480	S *	11/2015	Zhang .....	D22/134
2004/0105343	A1	6/2004	Betts et al.	
2006/0216007	A1	9/2006	Moreb	
2014/0057677	A1	2/2014	Liubinas et al.	

OTHER PUBLICATIONS

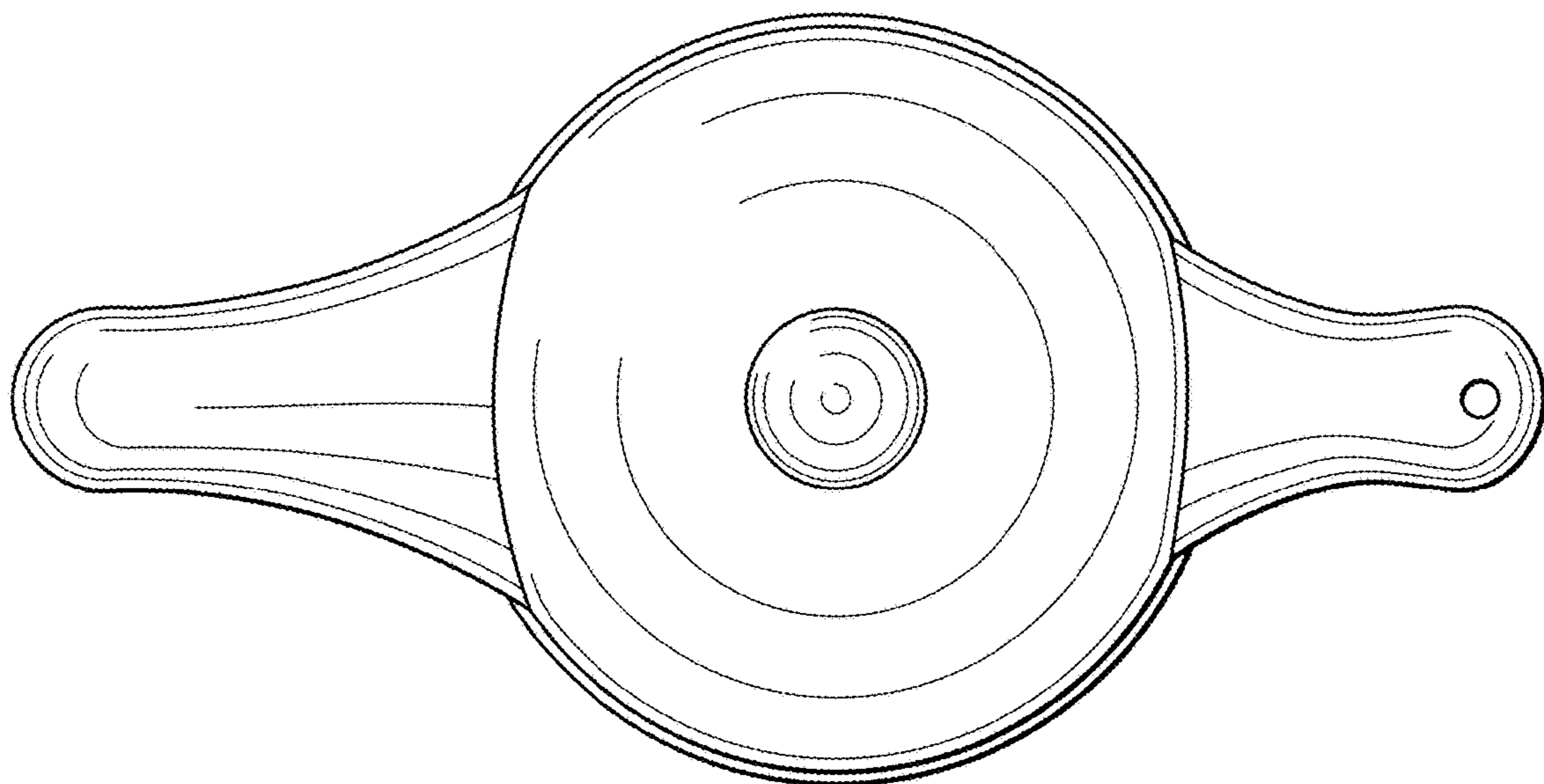
Deeper Smart Fish Finder for iOS and Android Devices, 11 pages, (prior to May 12, 2014).  
 Geeky Gadgets, ReelSonar Fishfinder App and Smart Bobber Helps You Outsmart the Fish (video), 6 pages, (prior to May 12, 2014).  
 Buy Cheap Portable Wireless Sonar Fishing Fish Finder Fishfinder, 4 pages, (prior to May 12, 2014).  
 4 Levels Grauscale Wireless Fish Finder FF168W—Phiradar (China Manufacturer)—Products, 7 pages, (prior to May 12, 2014).  
 European Search Report for European Application No. 15169760.4, dated Oct. 21, 2015.  
 Application and File History for U.S. Appl. No. 14/291,247, filed May 30, 2014. Inventor: Tom Zenanko.

\* cited by examiner

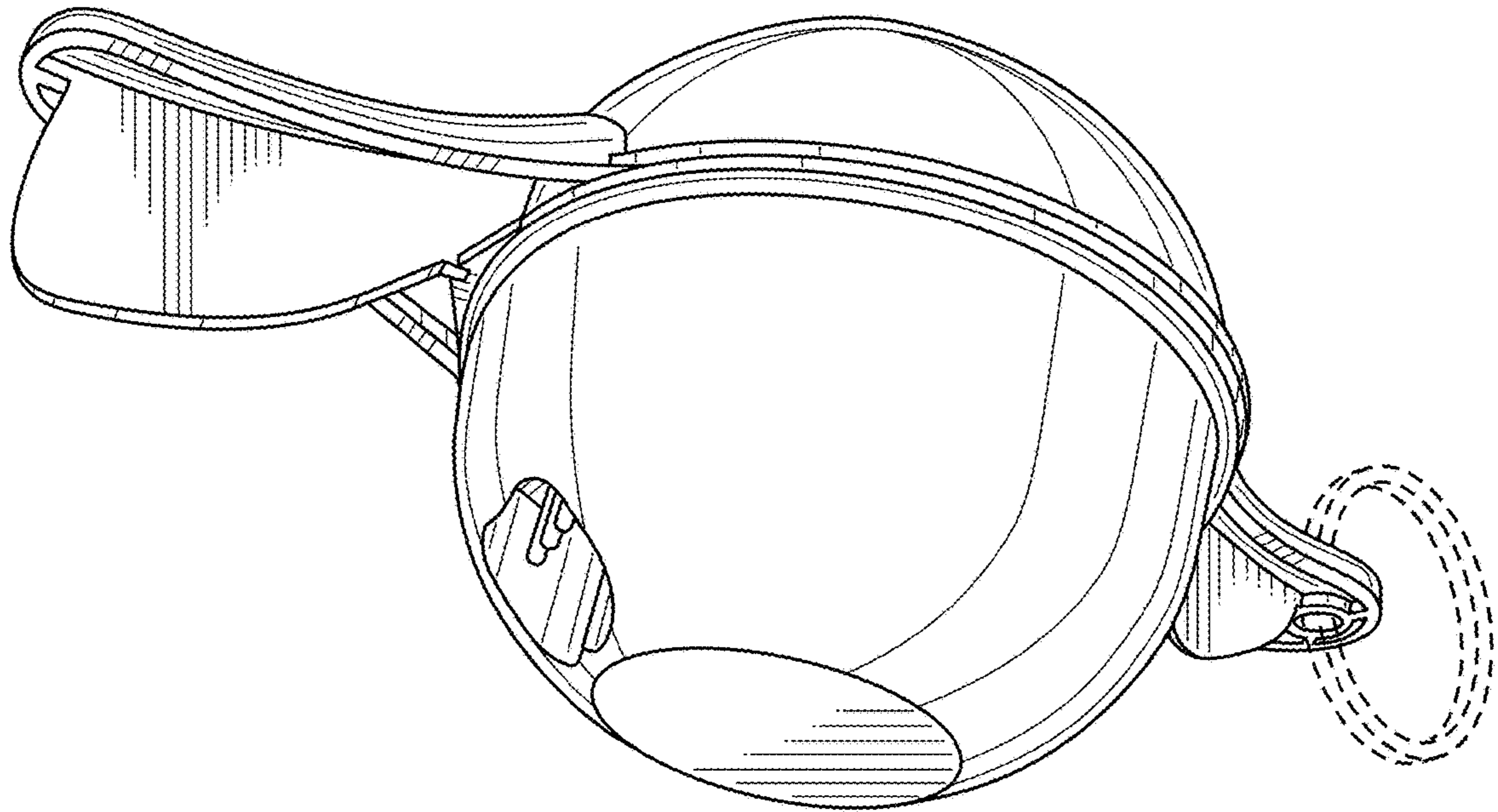
**Fig. 1**



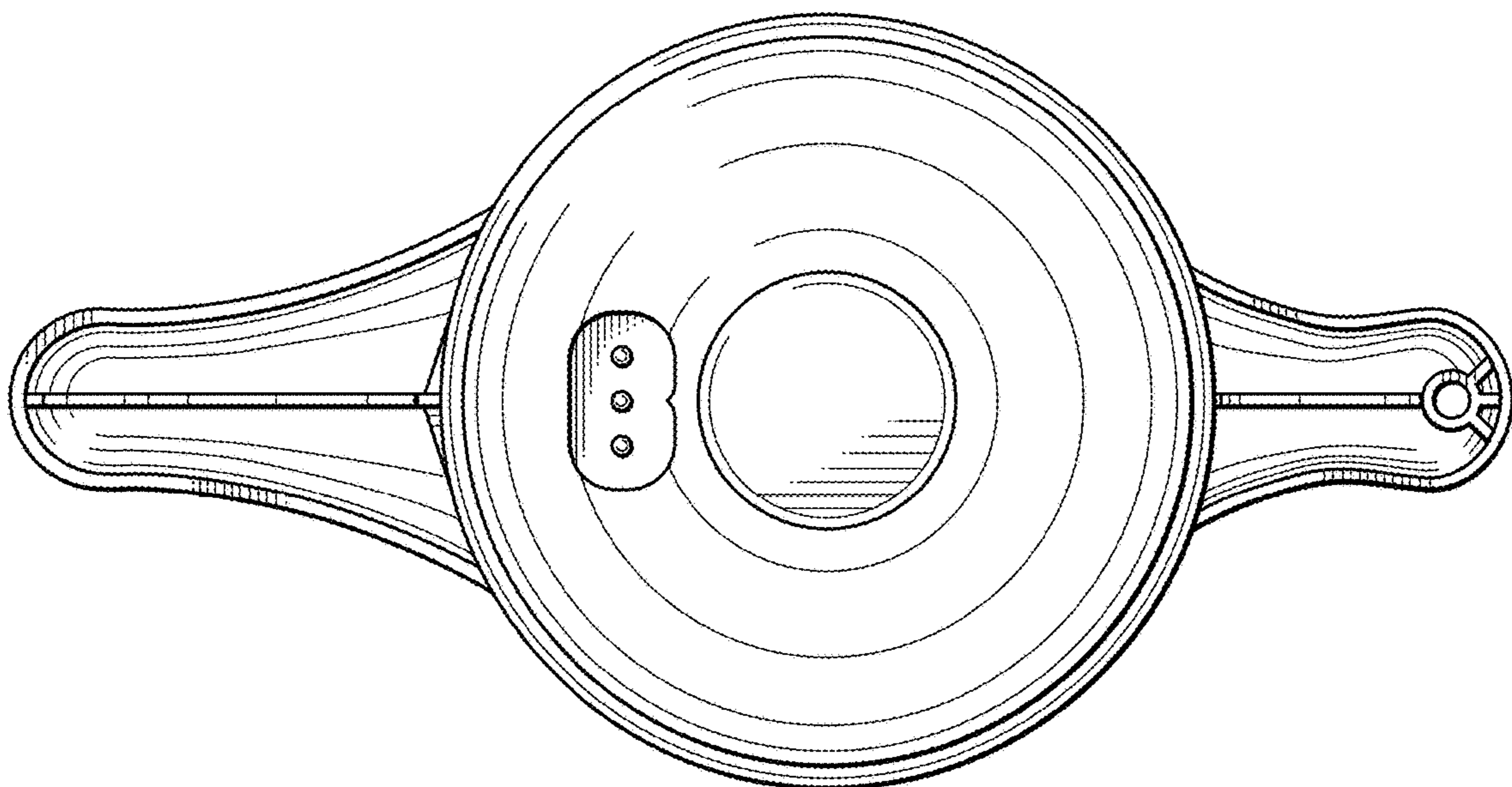
**Fig. 2**



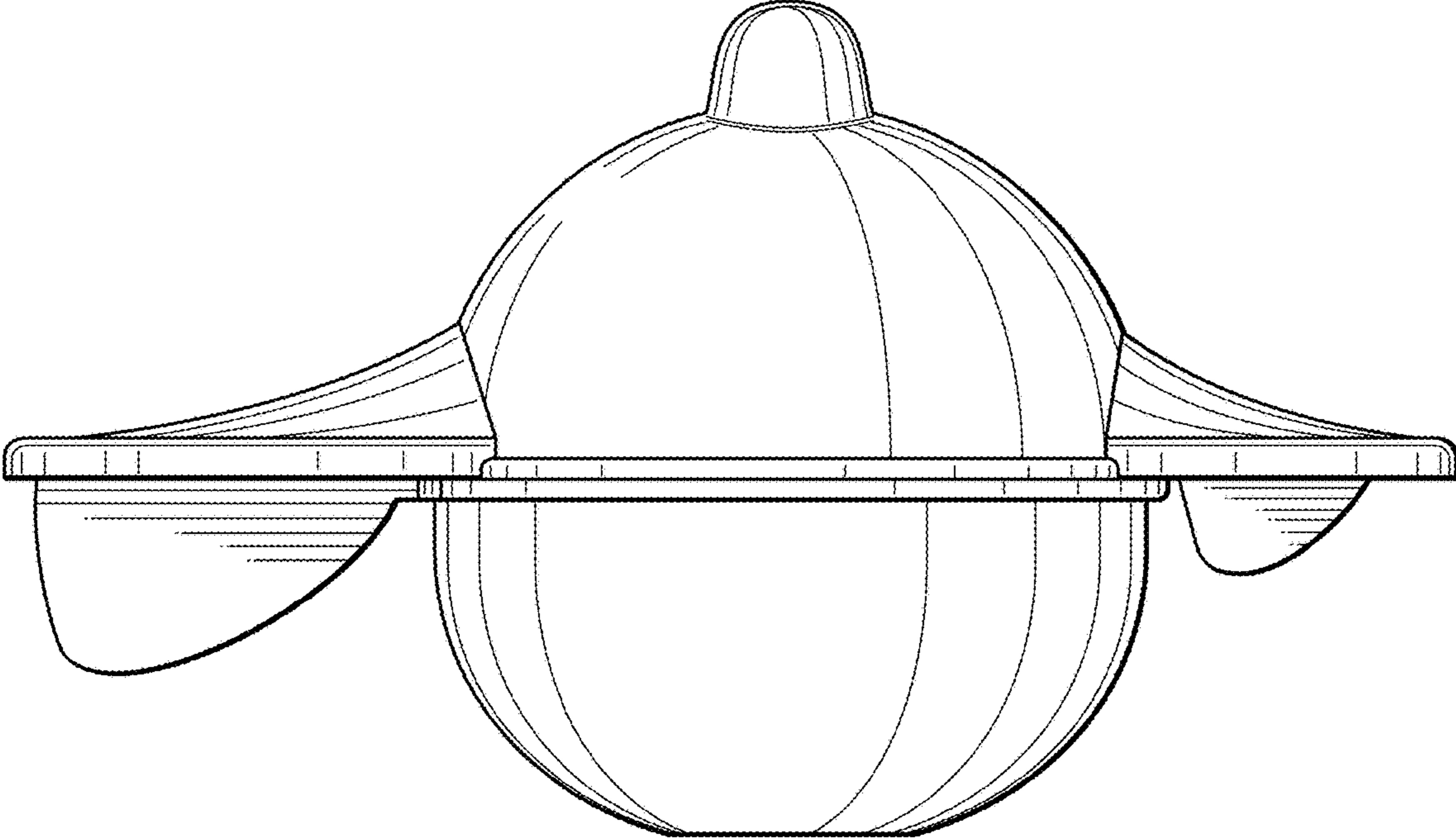
**Fig. 3**



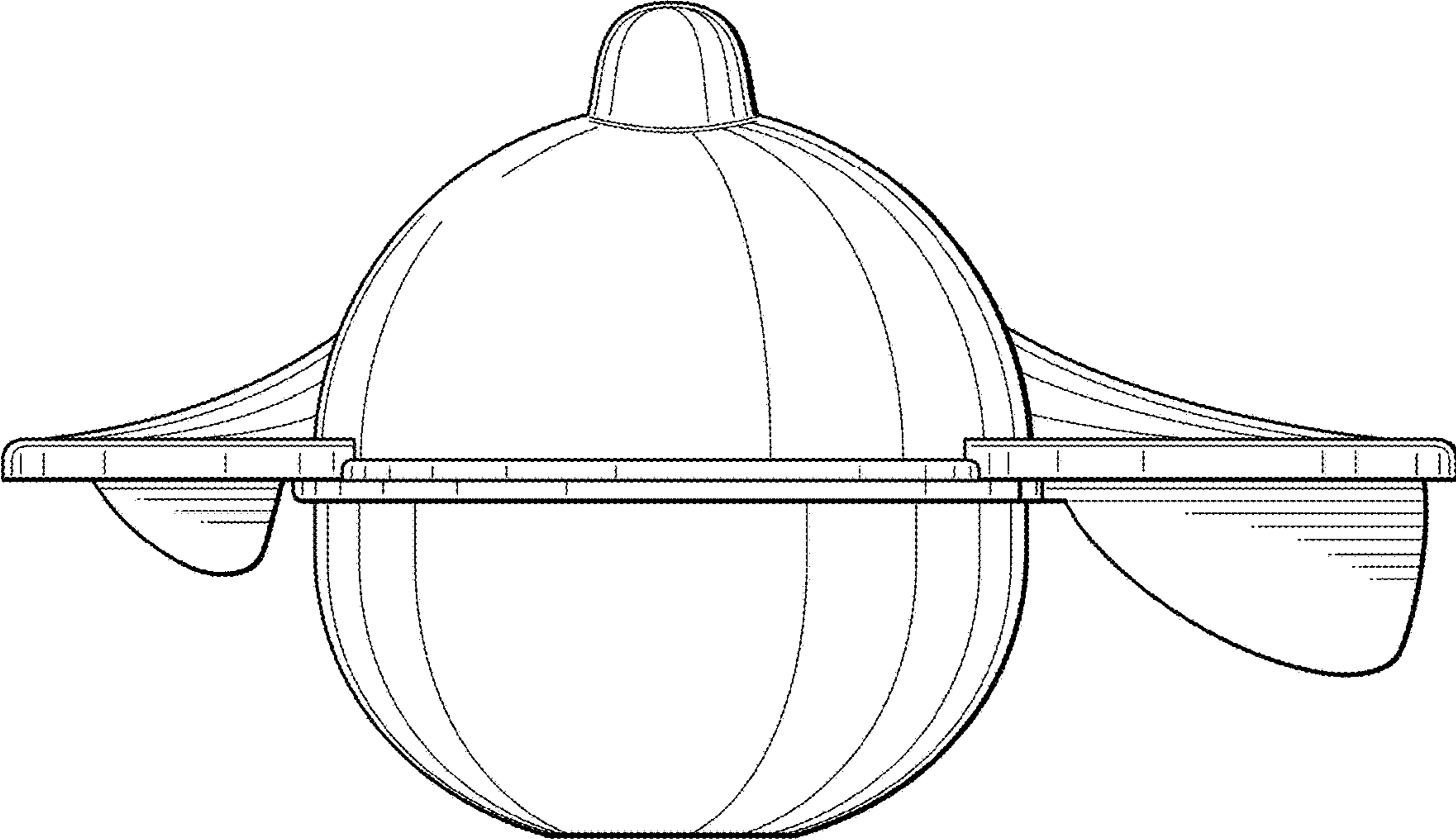
**Fig. 4**



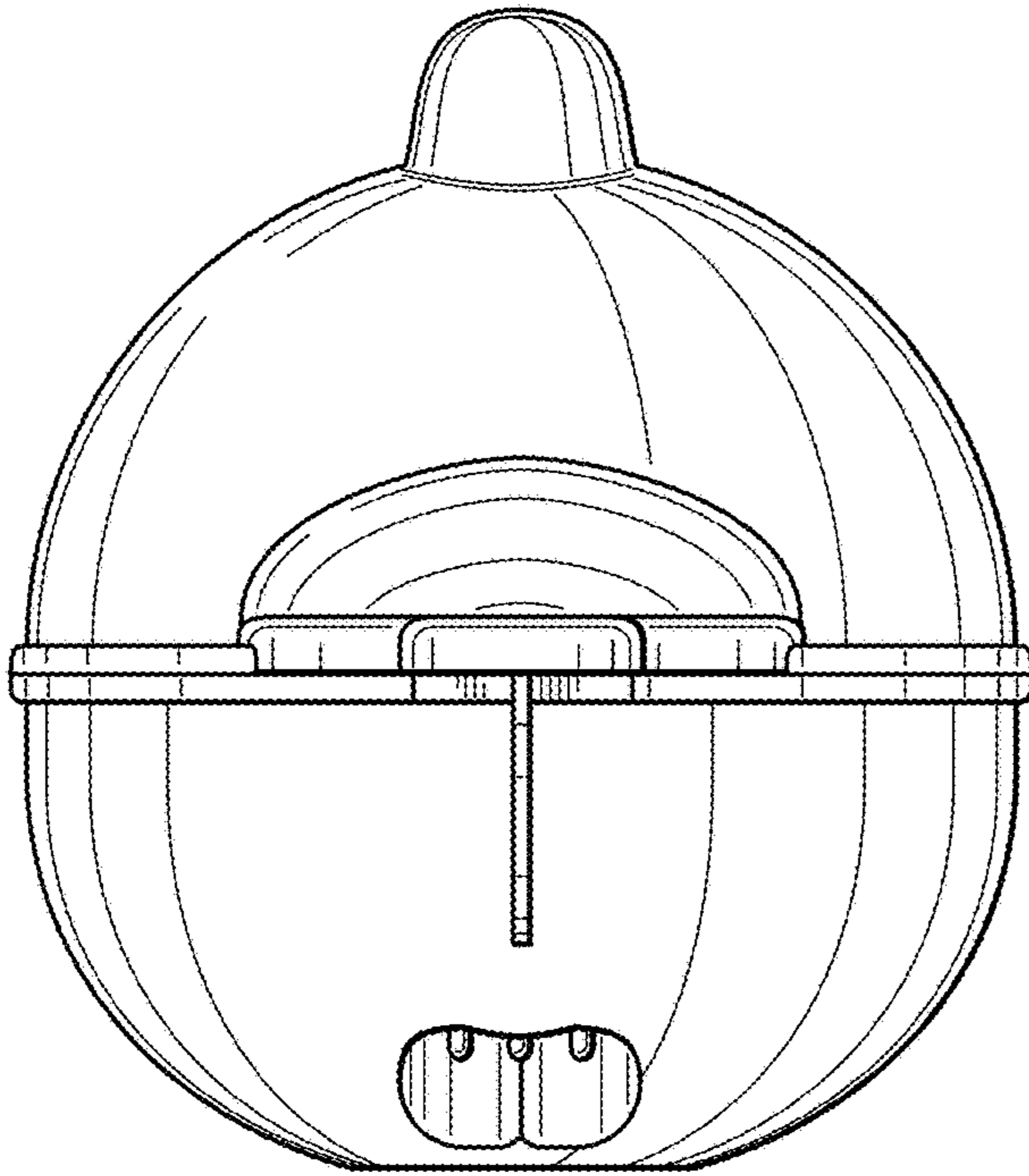
**Fig. 5**



**Fig. 6**



**Fig. 7**



**Fig. 8**

