



US00D798413S

(12) **United States Design Patent** (10) **Patent No.:** **US D798,413 S**
Walker (45) **Date of Patent:** **** *Sep. 26, 2017**

(54) **9MAG 22 LR HV RIM FIRE RETICLE**
(71) Applicant: **Deben Group Industries Limited,**
Woodbridge (GB)
(72) Inventor: **Stephen Andrew Walker,** Ipswich
(GB)
(73) Assignee: **Deben Group Industries Limited** (GB)
(*) Notice: This patent is subject to a terminal dis-
claimer.
(**) Term: **15 Years**

D609,769 S * 2/2010 Lacorte D22/109
D613,362 S * 4/2010 Huber D22/108
7,793,456 B1 * 9/2010 Lacorte F41G 1/24
42/122
D651,682 S * 1/2012 Beckett D22/109
D654,136 S * 2/2012 Huber D22/109
D679,776 S * 4/2013 Bracken D22/108
D679,777 S * 4/2013 Bracken D22/108
D680,187 S * 4/2013 Bracken D22/108
D749,688 S * 2/2016 Harris D22/109
D753,785 S * 4/2016 Silvers D22/109
D760,340 S * 6/2016 Goess D22/109
2011/0107649 A1 * 5/2011 Buck F41G 1/473
42/130
2012/0144720 A1 * 6/2012 Lacorte F41G 1/38
42/130

(Continued)

(21) Appl. No.: **29/532,210**

(22) Filed: **Jul. 2, 2015**

(30) **Foreign Application Priority Data**

Jan. 8, 2015 (EM) 002610329-0005

(51) **LOC (10) Cl.** **22-01**

(52) **U.S. Cl.**
USPC **D22/109; D16/136**

(58) **Field of Classification Search**
USPC D22/108-109; D14/404; D16/130-136;
D24/137, 172
CPC ... F41G 3/00; F41G 3/005; F41G 3/02; F41G
3/06; F41G 1/12; F41G 1/44; F41G
1/345; F41G 1/473; F41G 11/00
See application file for complete search history.

(56) **References Cited**

U.S. PATENT DOCUMENTS

D522,030 S * 5/2006 Jenkinson D16/130
D530,775 S * 10/2006 LaCorte D22/108
D530,776 S * 10/2006 LaCorte D22/108
D562,428 S * 2/2008 Peters D22/108
D567,325 S * 4/2008 Pride D22/109
D570,441 S * 6/2008 Pride D22/109
D584,376 S * 1/2009 Peters D22/108

OTHER PUBLICATIONS

Ashley, New Rimfire Scope Available Soon!, posted at Hawke Optics, posting date Nov. 22, 2013. [online], [site visited Jul. 20, 2016]. Available from Internet, <URL: <http://www.hawkeoptics.com/blog/new-rimfire-scope-available-from-hawke-optics.html>>.*

(Continued)

Primary Examiner — Kevin Rudzinski
Assistant Examiner — Kathleen Jones
(74) *Attorney, Agent, or Firm* — Hayes Soloway PC

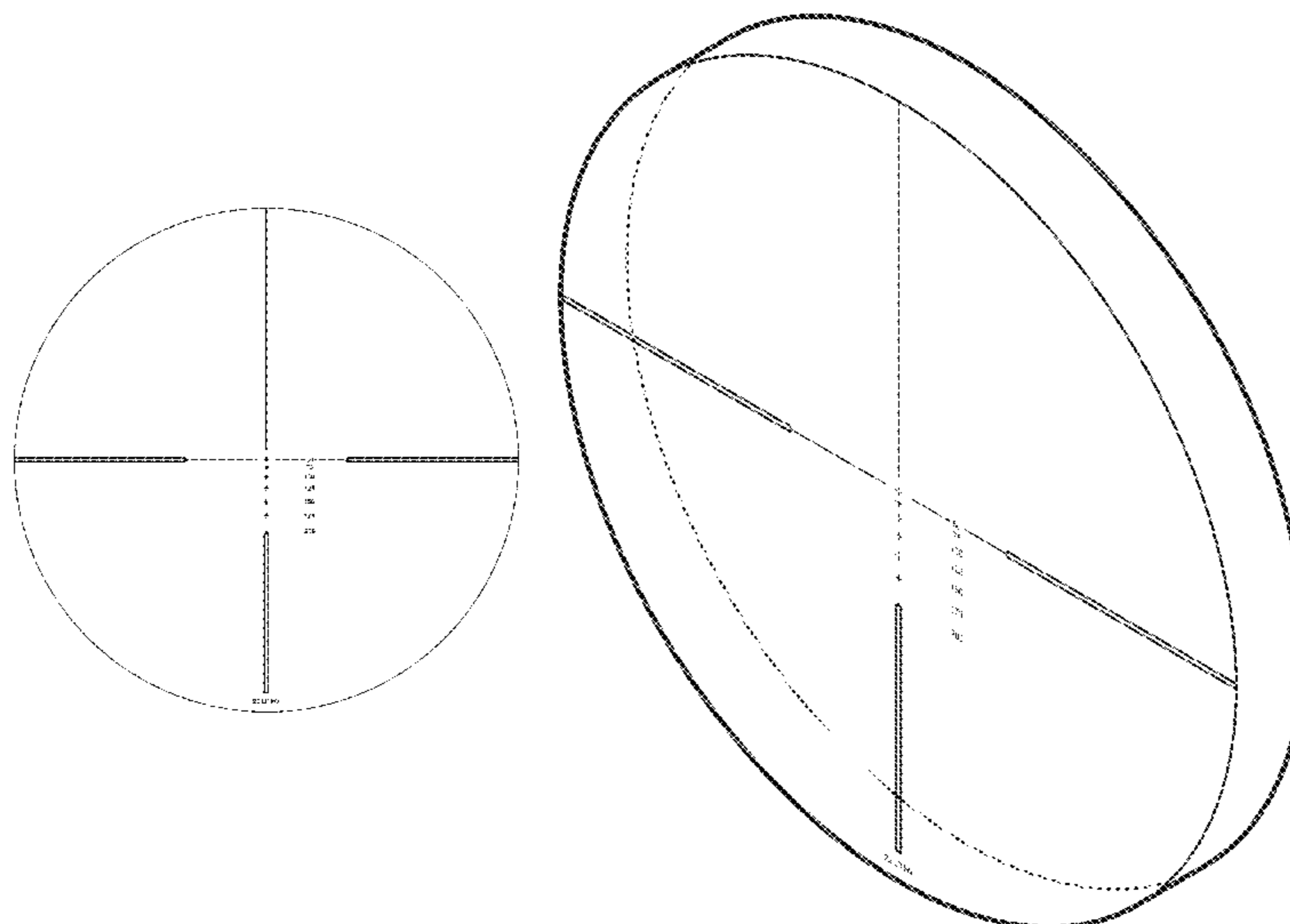
(57) **CLAIM**

I claim the ornamental design for a 9MAG 22 LR HV rim fire reticle, as shown and described.

DESCRIPTION

FIG. 1 is a side view of a 9MAG 22 LR HV rim fire reticle showing the new design;
FIG. 2 is a front view of a 9MAG 22 LR HV rim fire reticle thereof; and,
FIG. 3 is a perspective view of a 9MAG 22 LR HV rim fire reticle thereof.

1 Claim, 3 Drawing Sheets



(56)

References Cited

U.S. PATENT DOCUMENTS

2012/0186130	A1*	7/2012	Tubb	F41G 1/38 42/122
2013/0206836	A1*	8/2013	Paterson	F41G 3/06 235/404
2016/0169619	A1*	6/2016	Stockdill	F41G 1/44 33/298
2016/0290765	A1*	10/2016	Maryfield	G02B 27/36

OTHER PUBLICATIONS

Lux/Leatherwood CMR4 1-4X24 Scope Review, posted at Major Pandemic, posting date Sep. 15, 2013. [online], [site visited Jul. 20, 2016]. Available from Internet, <URL: http://majorpandemic1.rssing.com/chan-8770960/all_p3.html>.*

Highlander, Hawke Sport Optics 1.5-5x32 IR Crossbow HK3259—XB1 SR Reticle, posted at Crossbow Nation Forum, posting date Mar. 21, 2013. [online], [site visited Jul. 20, 2016]. Available from Internet, <URL: <http://www.crossbownation.com/community/threads/looking-for-a-scope.24413/>>.*

The G7 Long Range Scope Reticle, posted at gseven, posting date Jun. 28, 2012. [online], [site visited Jul. 20, 2016]. Available from

Internet, <URL: <http://www.gseven.com/first-shot/Learning-Articles/The-G7-Long-Range-Scope-Reticle>>.*

SHLowlight, Front Focal Plane vs Second Focal Plane, posted at Scout, posting date Mar. 26, 2015. [online], [site visited Jul. 20, 2016]. Available from Internet, <URL: <http://www.scout.com/military/snipers-hide/story/1531535-front-focal-plane-vs-second-focal-plane>>.*

CenterPoint Game Tag 4.5-14x44mm Illuminated Reticle Rifle Scope, posted at Sportsman's Guide, posted in 2013. [online], [site visited Jul. 20, 2016]. Available from Internet, <URL: <http://www.sportsmansguide.com/product/index/centerpoint-game-tagtrade-45-14x44mm-illuminated-reticle-rifle-scope?a=1529931>>.*

Kitson, David, PVS-4-reticle-m72, posted at Wikipedia, posting date Feb. 14, 2009. [online], [site visited May 23, 2017]. Available from Internet, <URL: <https://en.wikipedia.org/wiki/File:PVS-4-reticle-m72.jpg>>.*

Reticles, posted at Valdada, posting date Oct. 10, 2011. [online], [site visited May 23, 2017]. Available from Internet, <URL: <http://www.valdada.com/scope-reticle/>>.*

Lucid Optics—6-24X50MM L5 Scope, posted at Brownells, comment posting date Dec. 17, 2014. [online], [site visited Jan. 3, 2017]. Available from Internet, <URL: <http://www.brownells.com/optics-mounting/scopes/rifle-scopes/6-24x50mm-l5-scope-prod71308.aspx>>.*

* cited by examiner

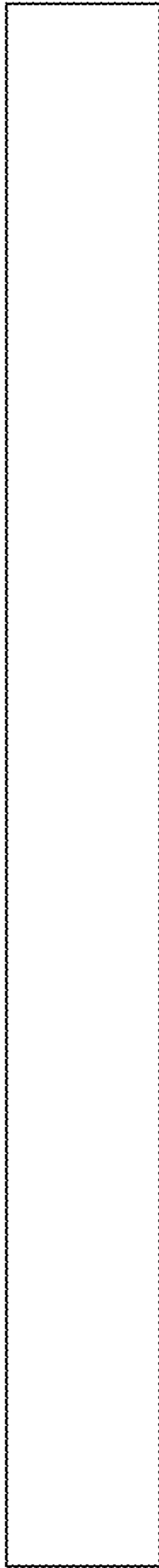


FIG. 1

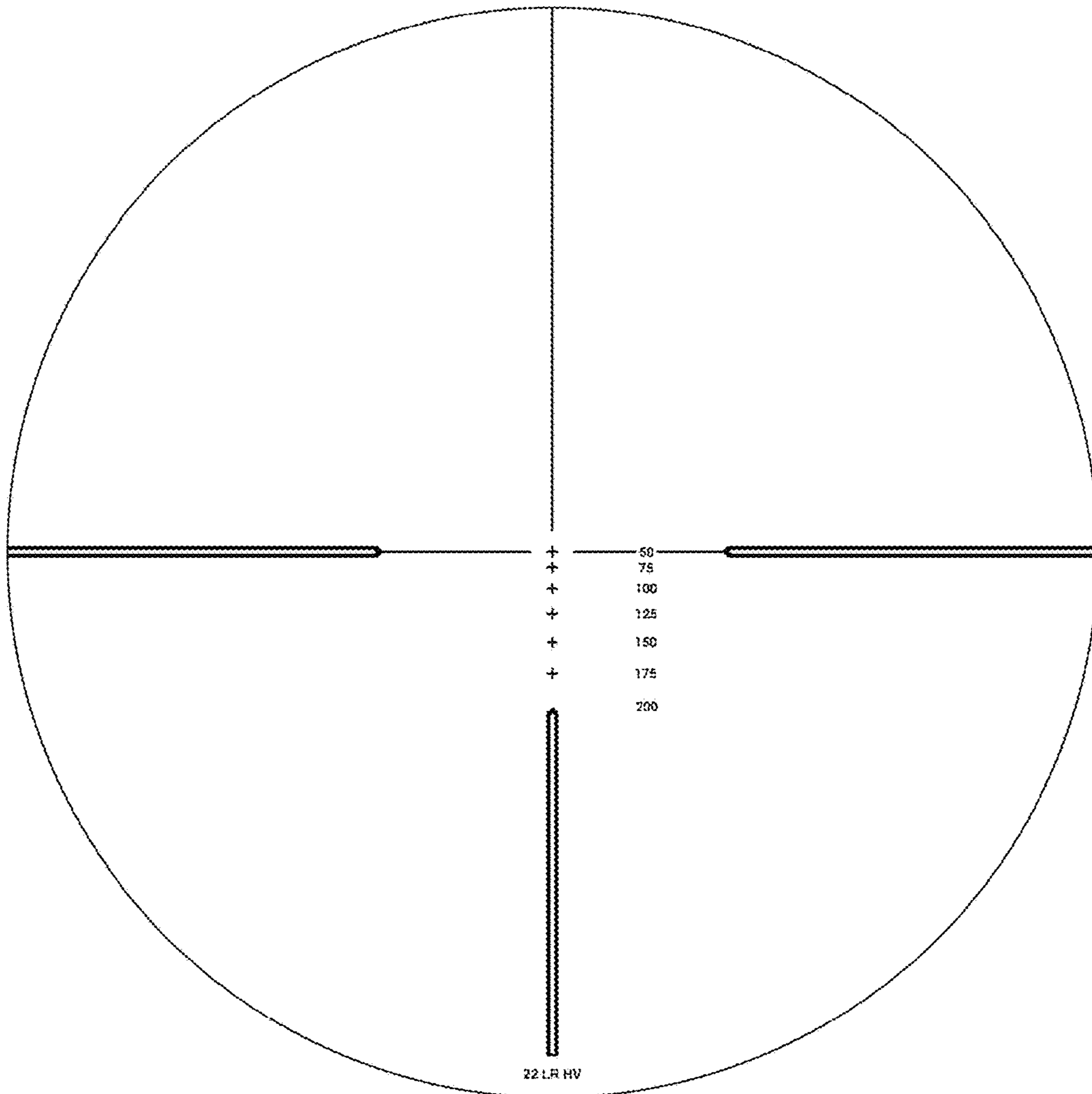


FIG. 2

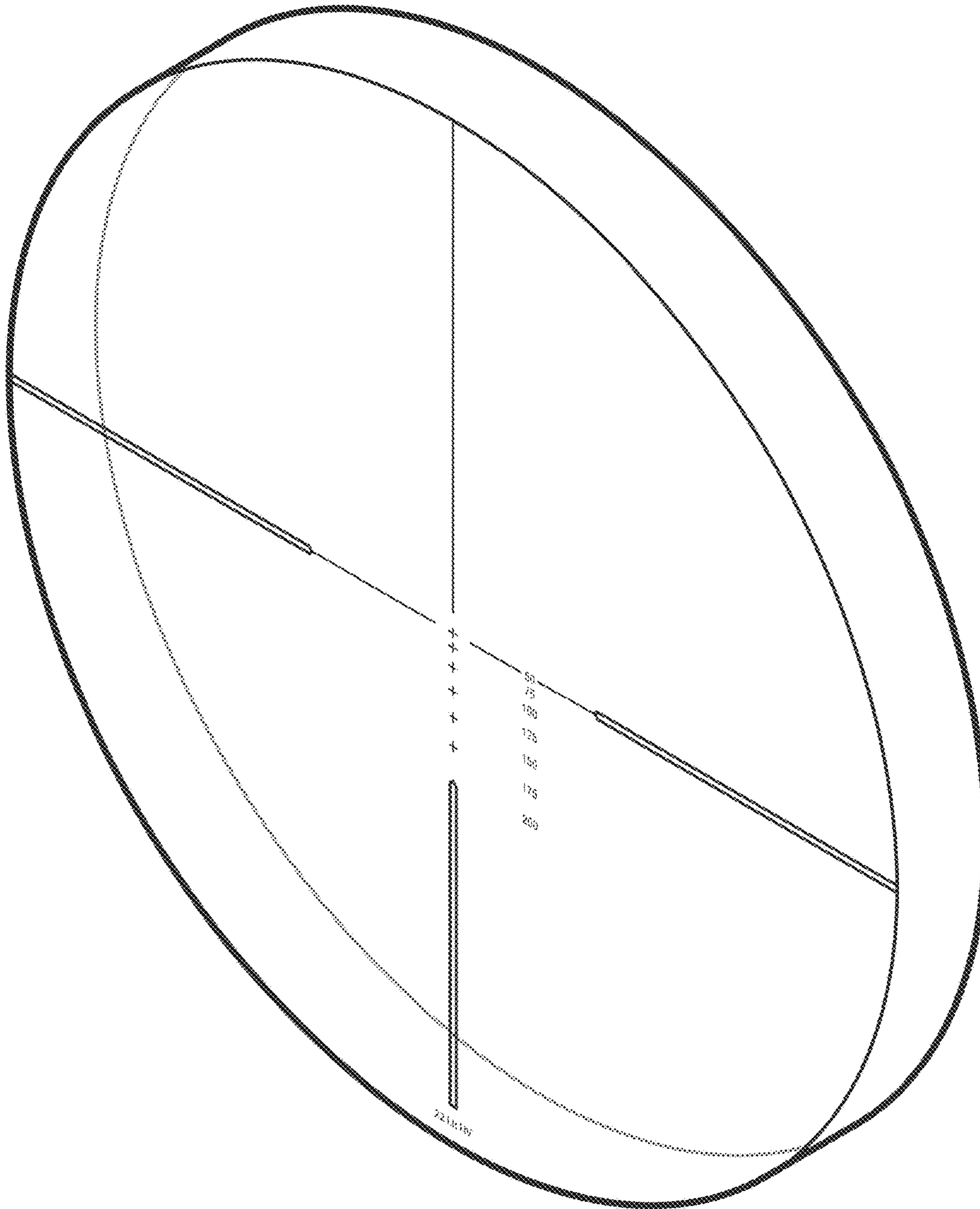


FIG. 3