



US00D798409S

(12) **United States Design Patent** (10) **Patent No.:** **US D798,409 S**
Kincel et al. (45) **Date of Patent:** **** Sep. 26, 2017**

(54) **NON-AMBIDEXTROUS CHARGING HANDLE**

(71) Applicant: **BRAVO COMPANY MFG, INC.**,
Hartland, WI (US)

(72) Inventors: **Eric Stephen Kincel**, Las Vegas, NV
(US); **Jeffrey James O'Brien**, Las
Vegas, NV (US)

(73) Assignee: **BRAVO COMPANY MFG, INC.**,
Hartland, WI (US)

(**) Term: **15 Years**

(21) Appl. No.: **29/559,005**

(22) Filed: **Mar. 23, 2016**

(51) **LOC (10) Cl.** **22-01**

(52) **U.S. Cl.**
USPC **D22/108**

(58) **Field of Classification Search**
USPC D22/108; D14/418; D21/572-575
(Continued)

(56) **References Cited**

U.S. PATENT DOCUMENTS

7,240,600 B1 * 7/2007 Bordson F41A 3/72
42/69.01
7,832,322 B1 * 11/2010 Hoel F41A 3/20
42/16

(Continued)

Primary Examiner — Michael A Pratt

(74) *Attorney, Agent, or Firm* — Howard & Howard
Attorneys PLLC

(57) **CLAIM**

We claim the ornamental design for a non-ambidextrous charging handle, as shown and described.

DESCRIPTION

FIG. 1 is a top perspective view of the new design of a non-ambidextrous charging handle, according to a first embodiment;

FIG. 2 is a bottom perspective view of the new design of the non-ambidextrous charging handle, according to the first embodiment;

FIG. 3 is a top view of the new design of the non-ambidextrous charging handle, according to the first embodiment;

FIG. 4 is a bottom view of the new design of the non-ambidextrous charging handle, according to the first embodiment;

FIG. 5 is a front view of the new design of the non-ambidextrous charging handle, according to the first embodiment;

FIG. 6 is a rear view of the new design of the non-ambidextrous charging handle, according to the first embodiment;

FIG. 7 is a first side view of the new design of the non-ambidextrous charging handle, according to the first embodiment;

FIG. 8 is a second side view of the new design of the non-ambidextrous charging handle, according to the first embodiment;

FIG. 9 is a top perspective view of the new design of a non-ambidextrous charging handle, according to a second embodiment;

FIG. 10 is a bottom perspective view of the new design of the non-ambidextrous charging handle, according to the second embodiment;

FIG. 11 is a top view of the new design of the non-ambidextrous charging handle, according to the second embodiment;

FIG. 12 is a bottom view of the new design of the non-ambidextrous charging handle, according to the second embodiment;

FIG. 13 is a front view of the new design of the non-ambidextrous charging handle, according to the second embodiment;

FIG. 14 is a rear view of the new design of the non-ambidextrous charging handle, according to the second embodiment;

FIG. 15 is a first side view of the new design of the non-ambidextrous charging handle, according to the second embodiment; and,

(Continued)

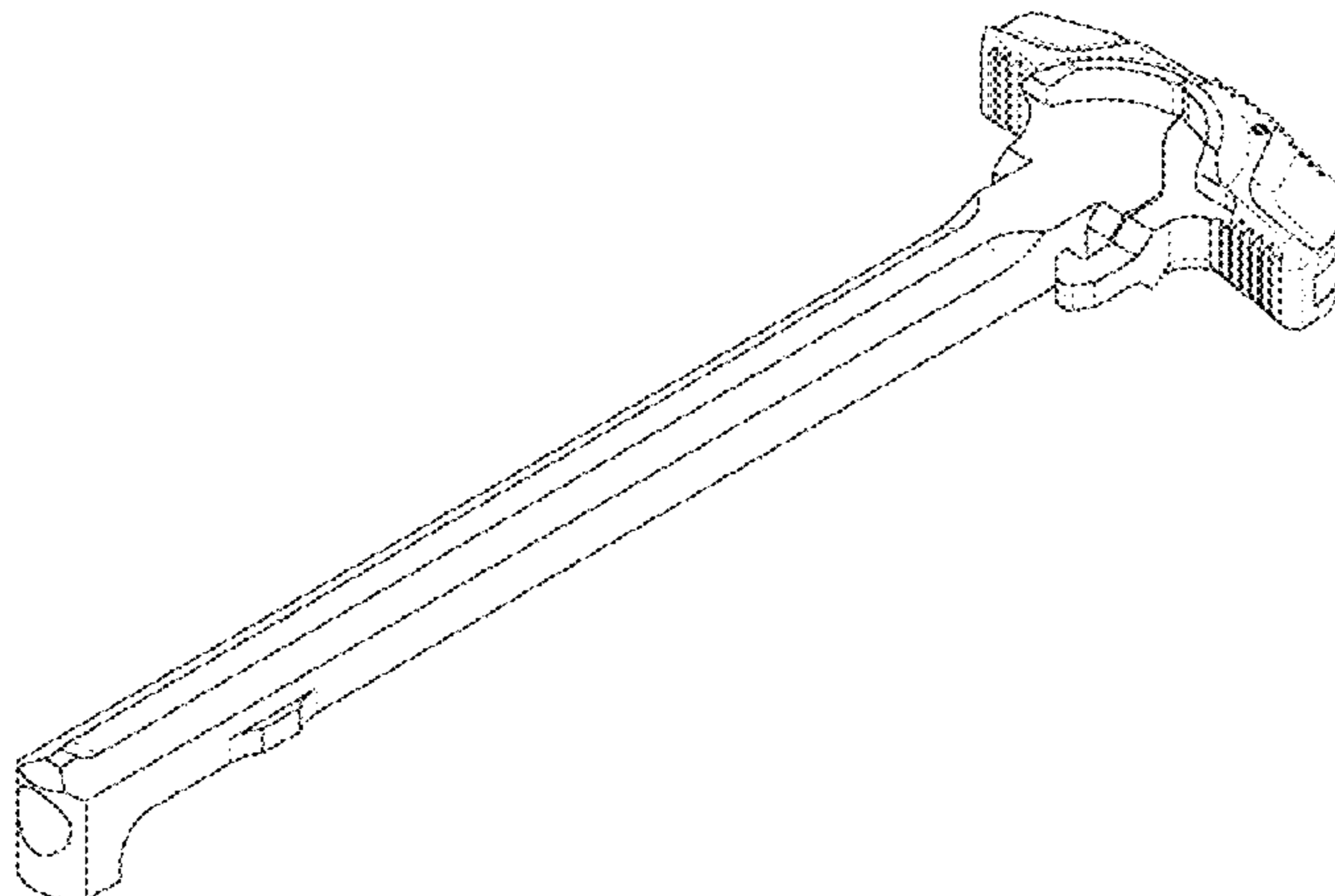


FIG. 16 is a second side view of the new design of the non-ambidextrous charging handle, according to the second embodiment.

1 Claim, 16 Drawing Sheets

(58) Field of Classification Search

CPC F41C 23/10; F41C 23/14; F41C 23/16;
F41C 23/18; F41C 23/00; F41C 27/00;
F41C 27/06; F41A 5/18; F41A 5/24;
F41A 21/28

See application file for complete search history.

(56) References Cited

U.S. PATENT DOCUMENTS

7,861,635 B1 * 1/2011 Hoel F41A 3/20
42/16

7,900,546 B2 * 3/2011 Bordson F41A 3/72
42/69.01
8,104,393 B2 * 1/2012 Kincel F41A 3/72
42/16
8,261,649 B2 * 9/2012 Fitzpatrick F41A 19/47
89/1.4
8,336,436 B2 * 12/2012 Kincel F41A 3/72
42/16
8,356,537 B2 * 1/2013 Kincel F41A 3/72
42/16
D694,354 S * 11/2013 Underwood D22/108
D705,384 S * 5/2014 Underwood D22/108
8,820,210 B2 * 9/2014 Melville F41A 3/72
42/69.01
8,960,066 B2 * 2/2015 Gomez F41A 3/72
42/43
D726,860 S * 4/2015 Underwood D22/108
D738,452 S * 9/2015 Underwood D22/108
D749,687 S * 2/2016 Warensford D22/108
9,587,896 B1 * 3/2017 Huang F41A 35/06

* cited by examiner

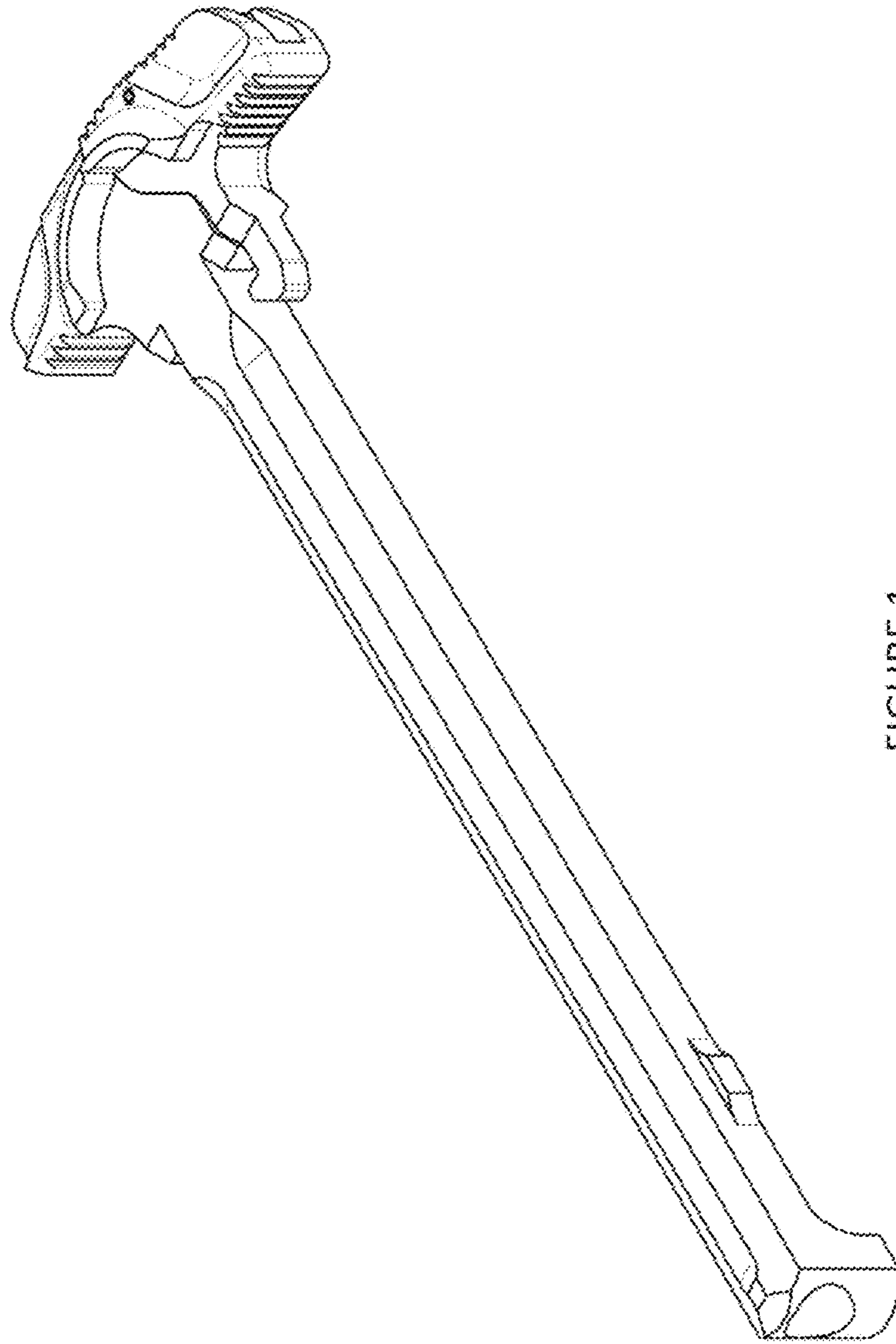


FIGURE 1

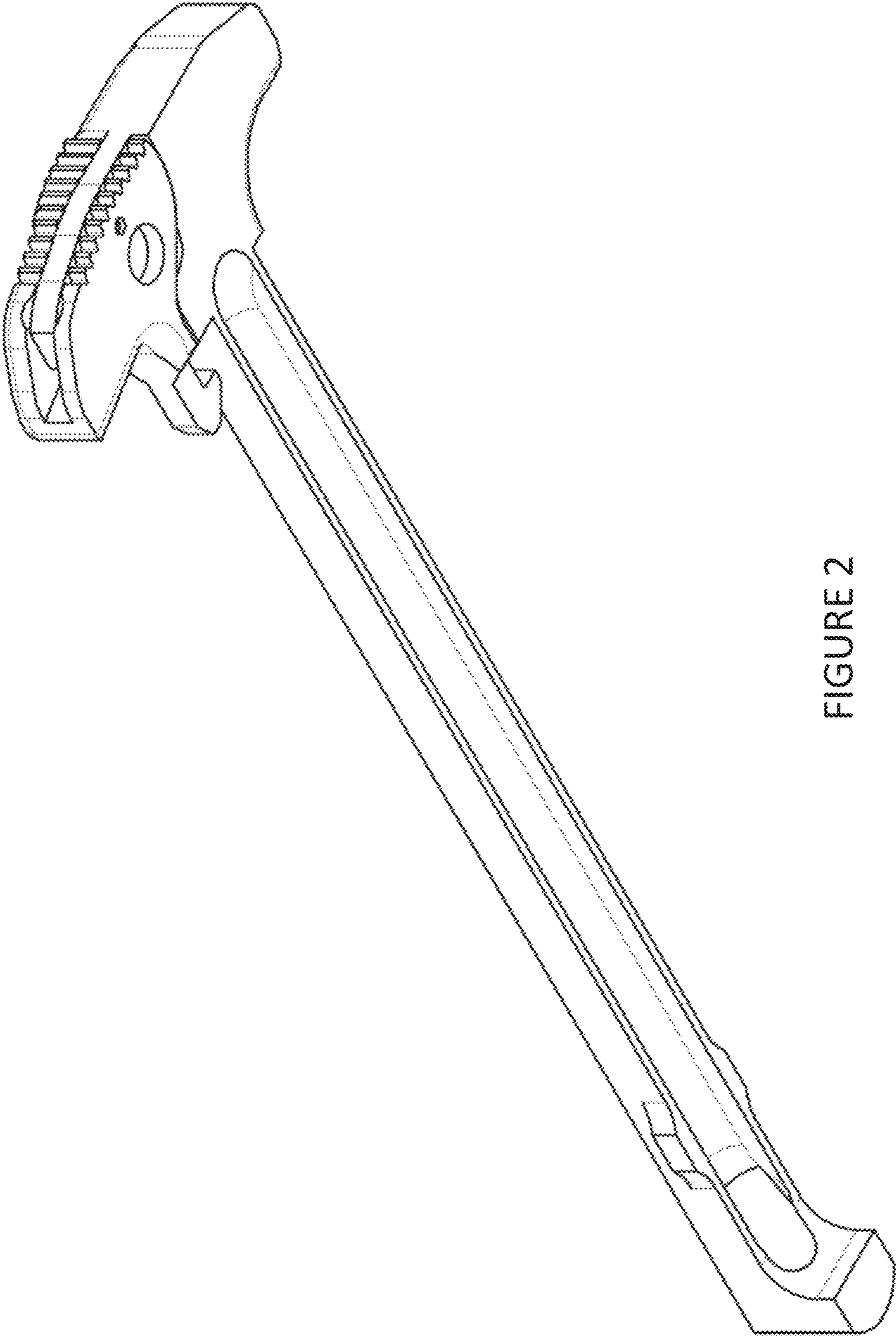


FIGURE 2

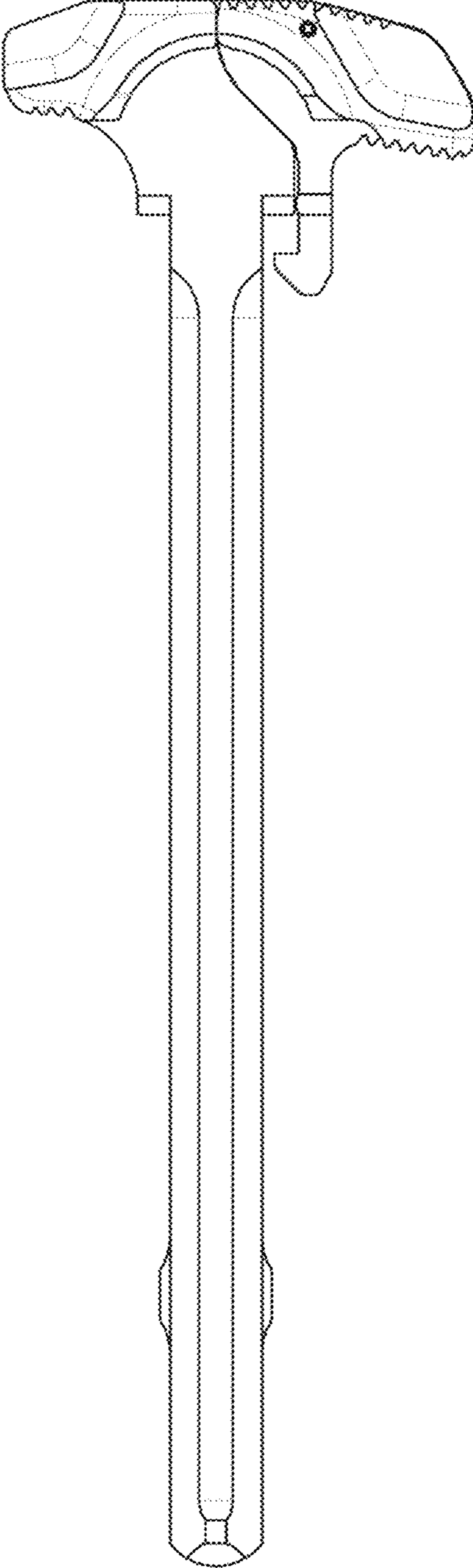


FIGURE 3

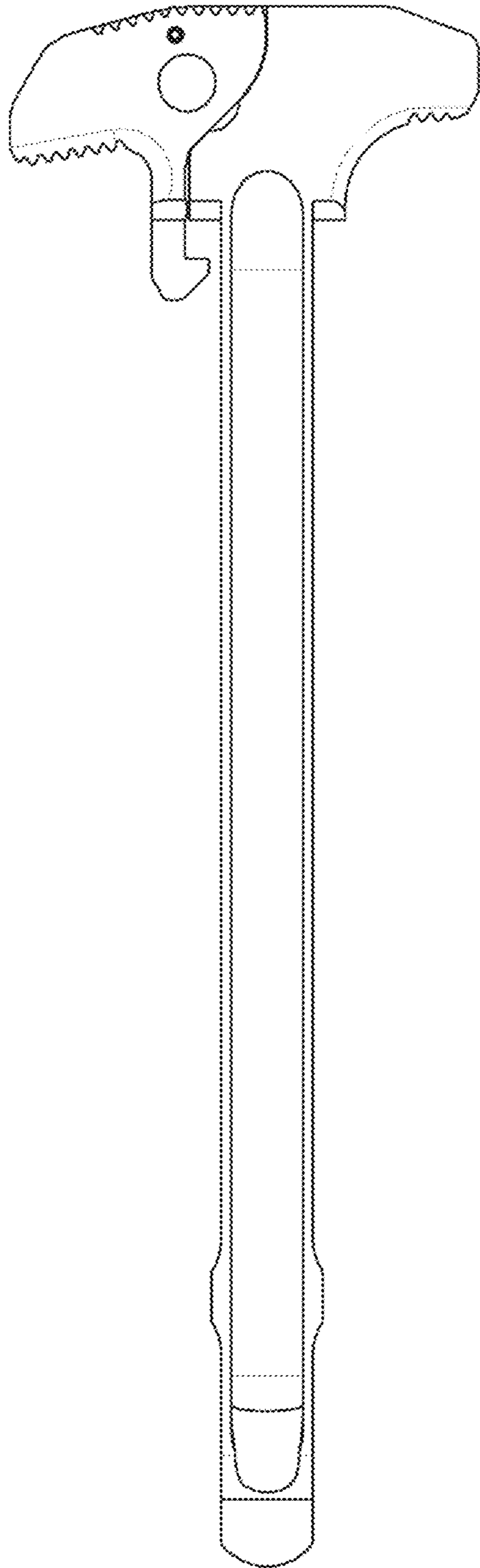


FIGURE 4

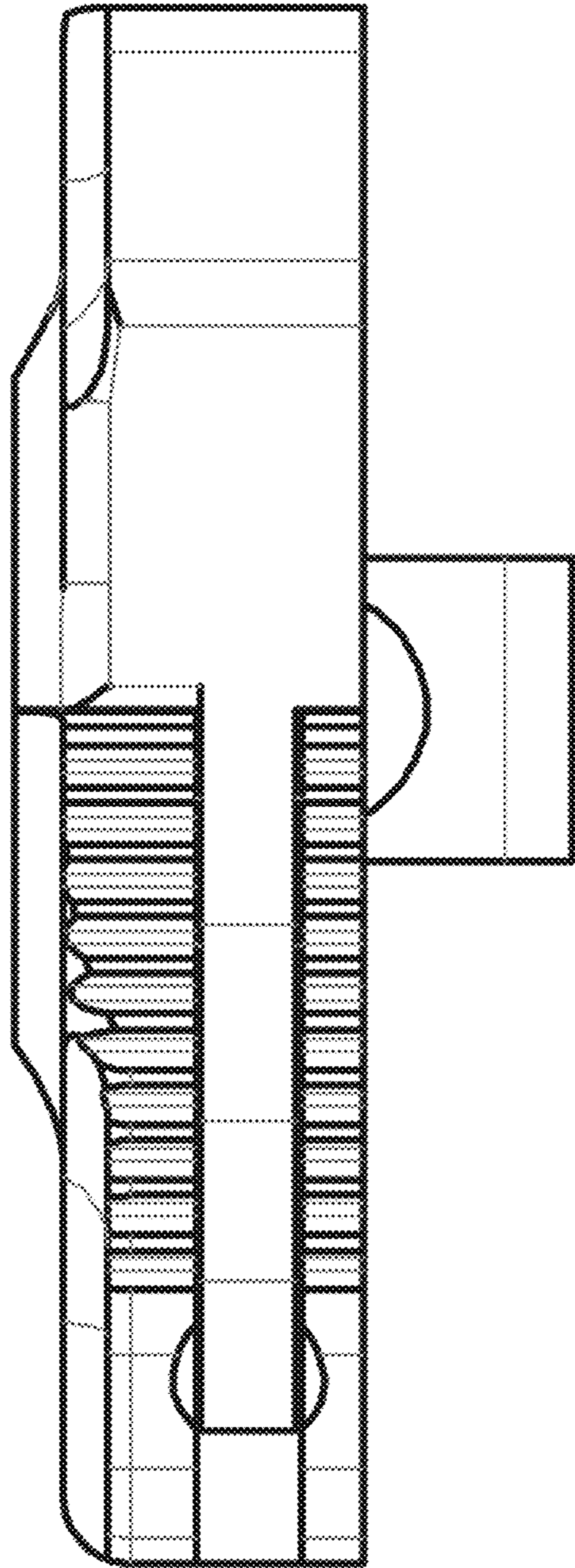


FIGURE 5

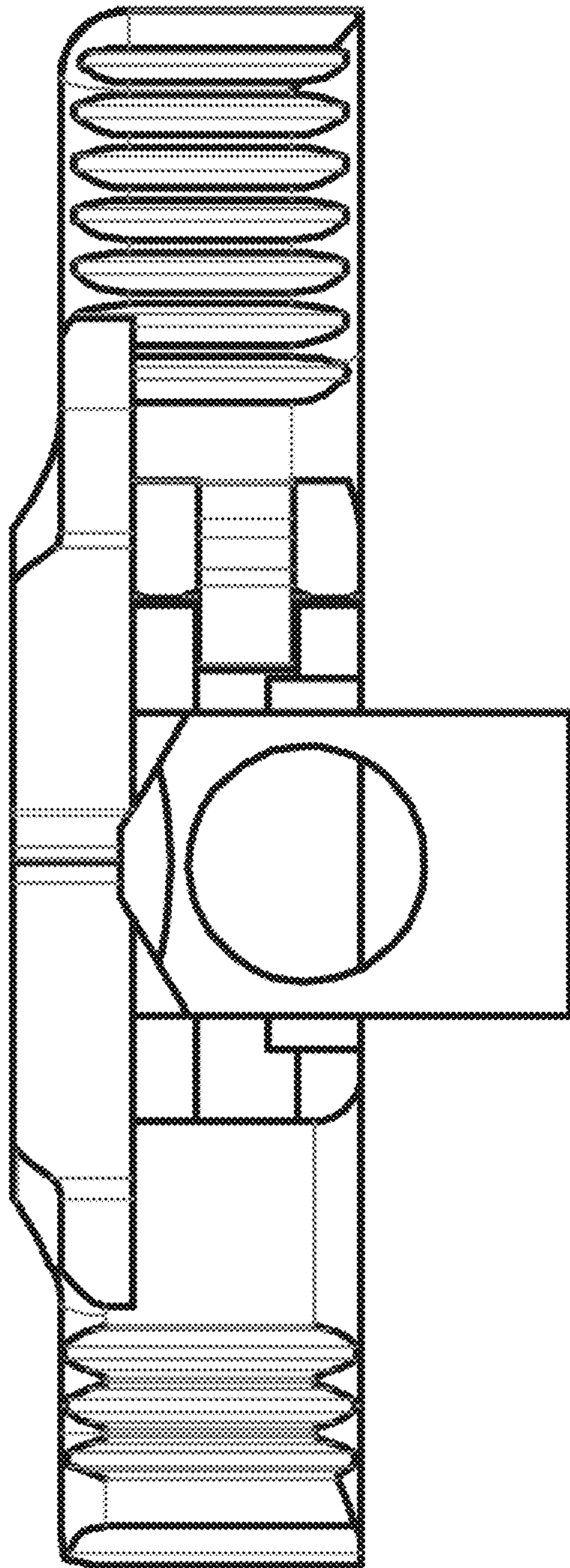


FIGURE 6

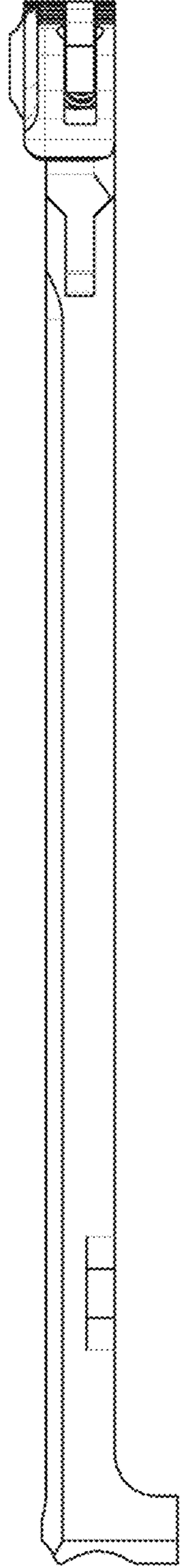


FIGURE 7

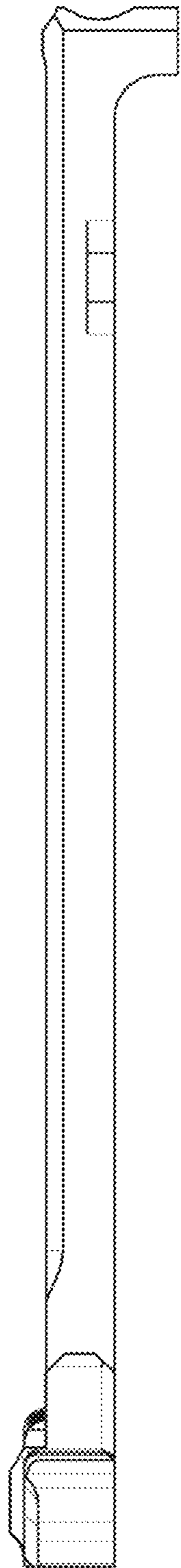


FIGURE 8

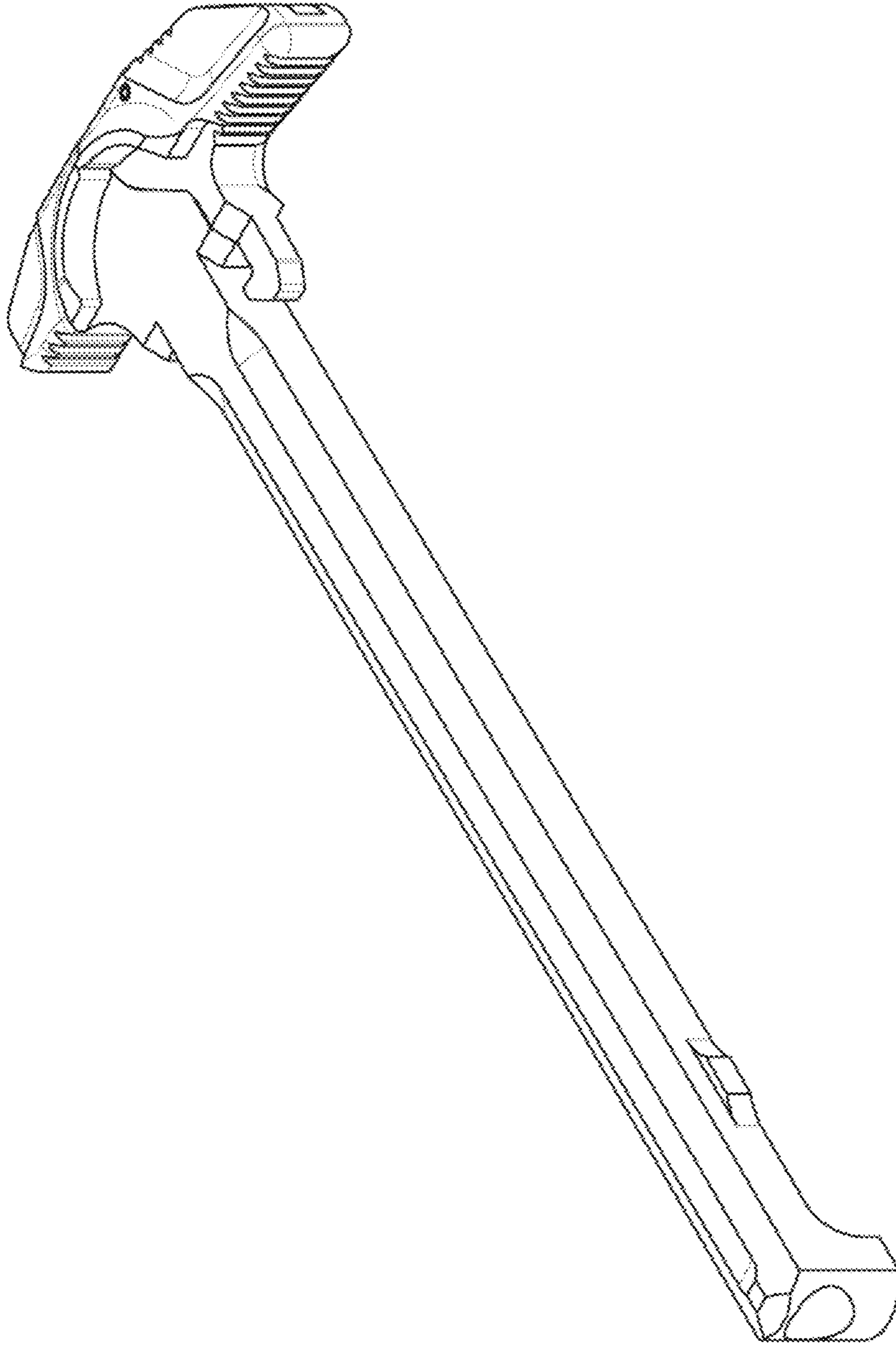


FIGURE 9

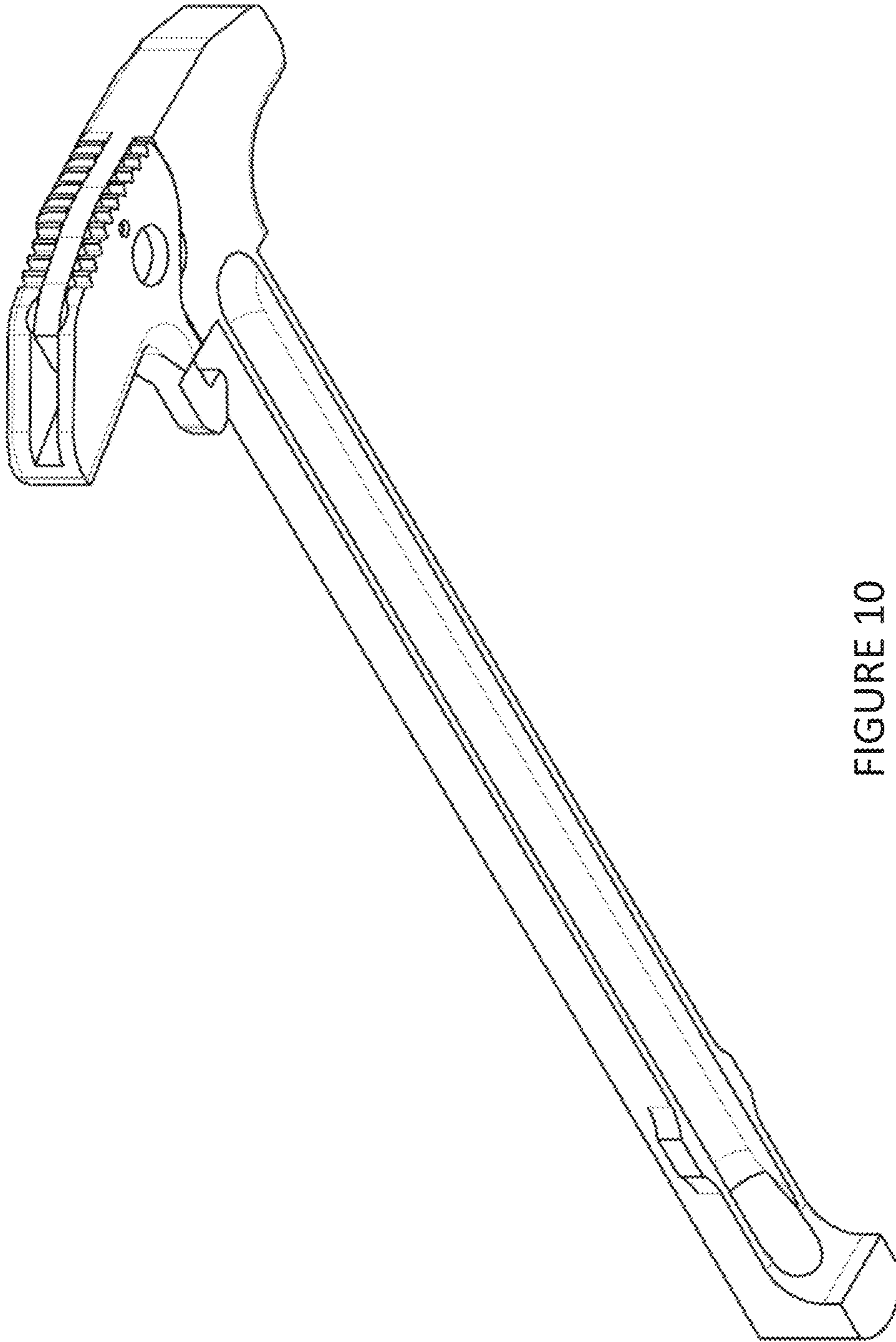


FIGURE 10

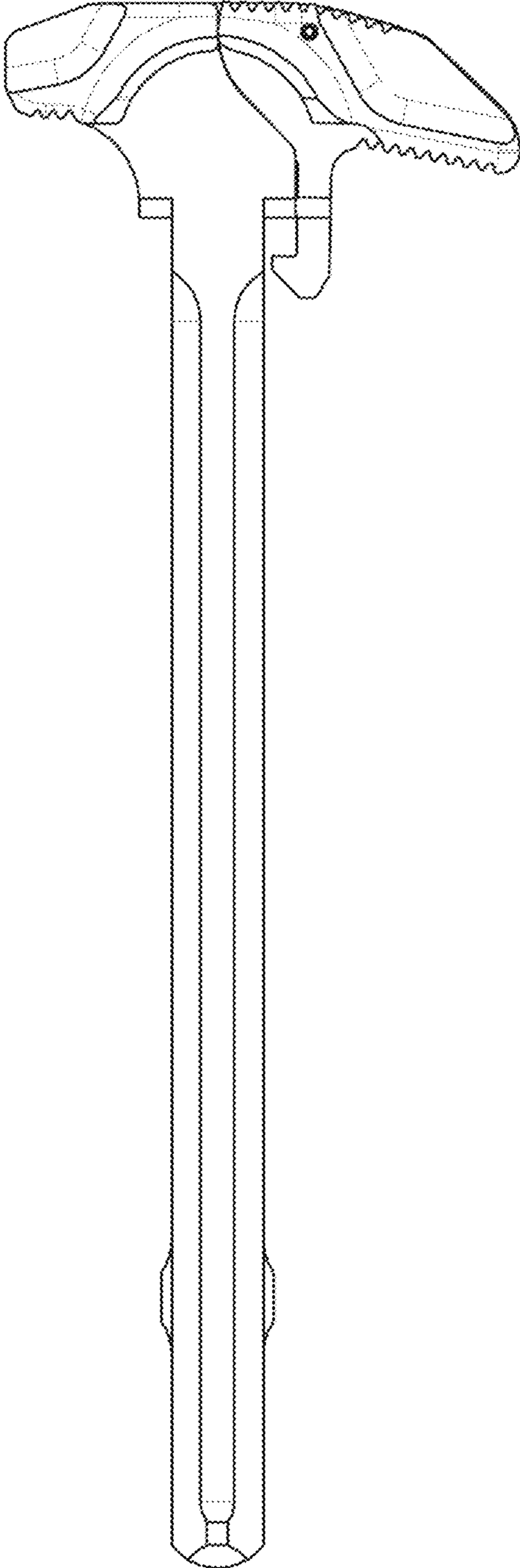


FIGURE 11

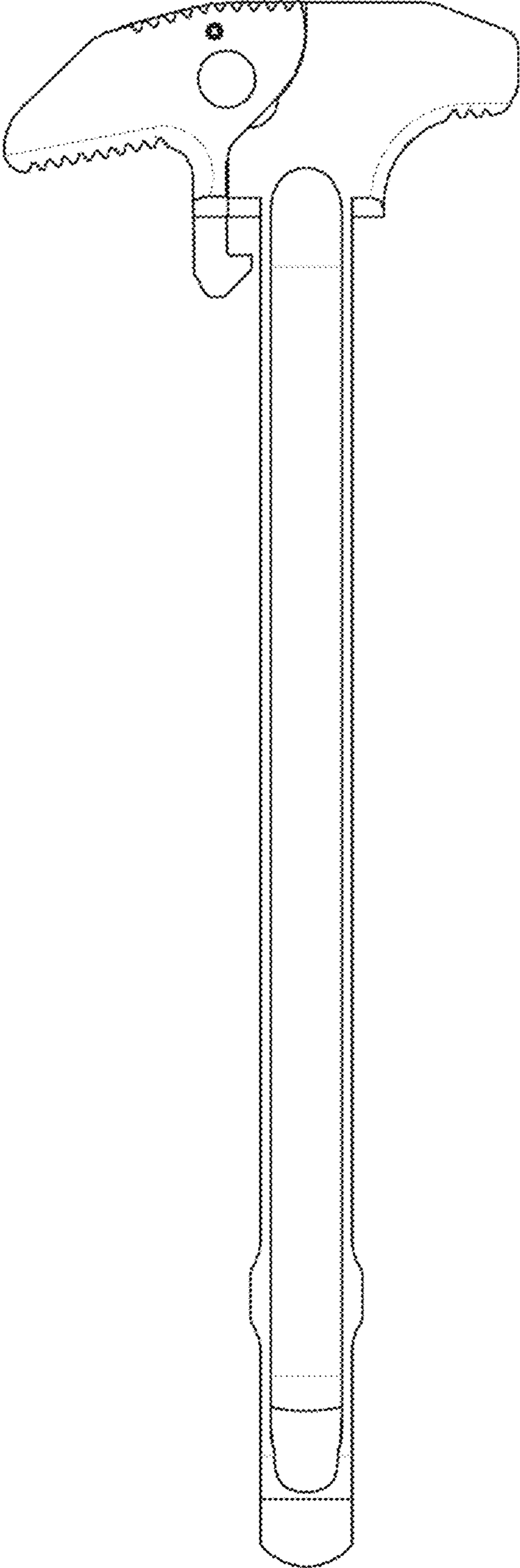


FIGURE 12

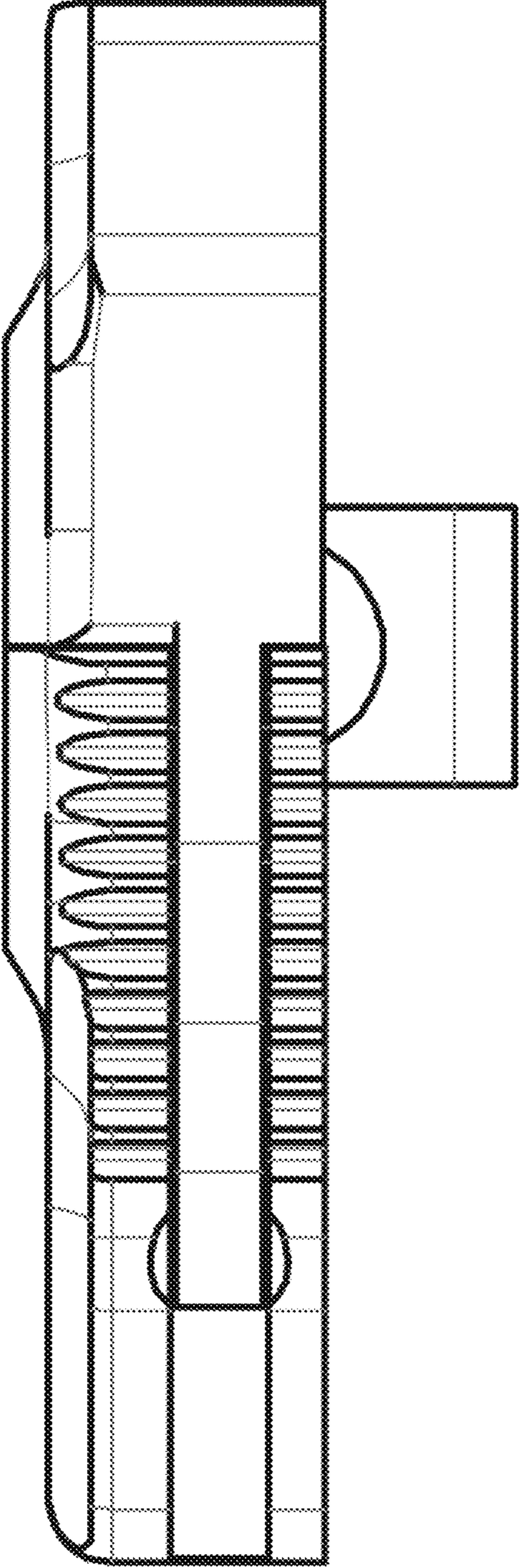


FIGURE 13

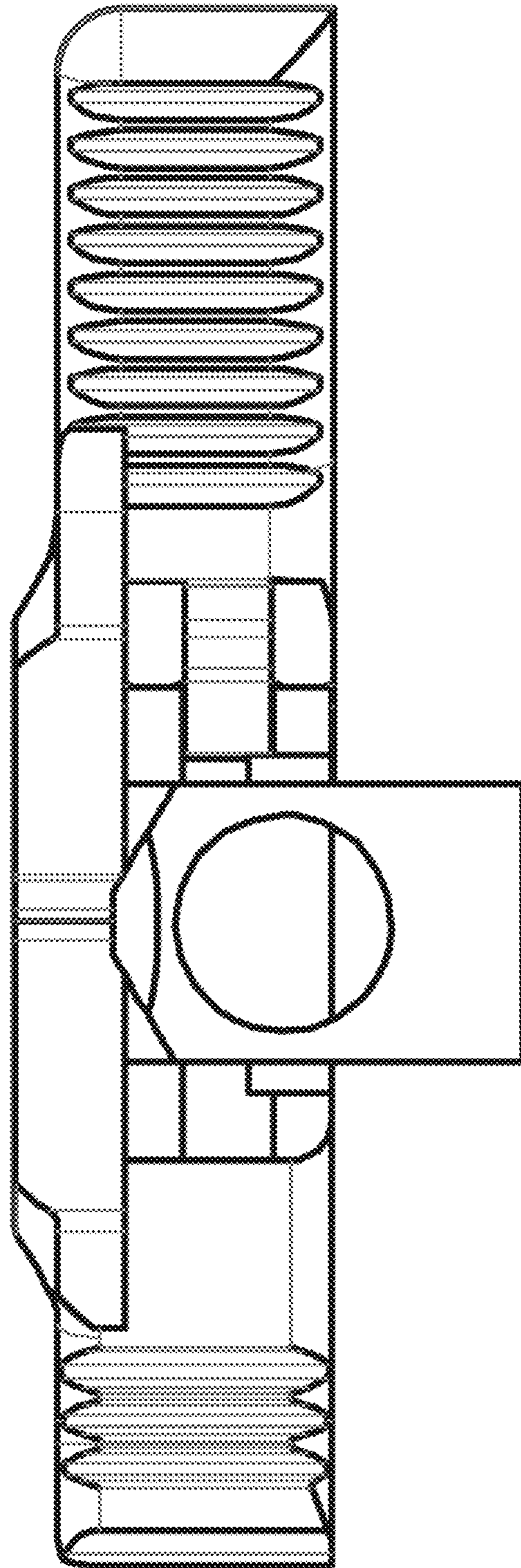


FIGURE 14

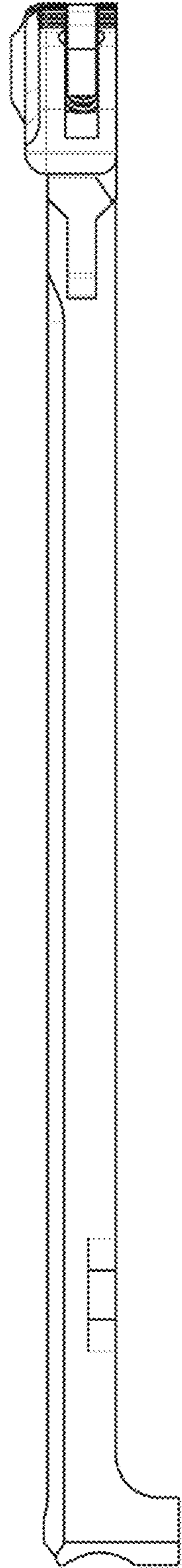


FIGURE 15

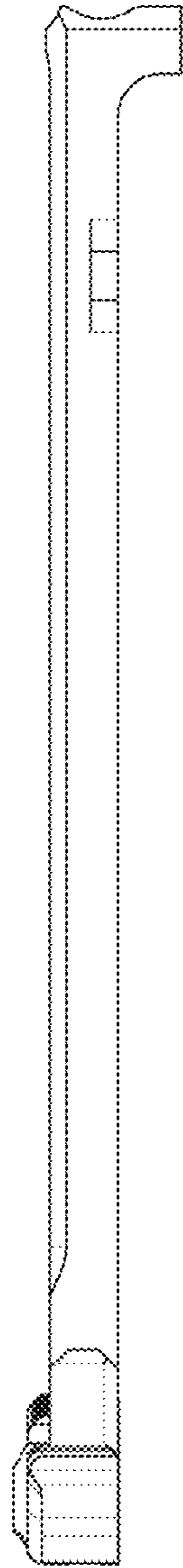


FIGURE 16