



US00D798408S

(12) **United States Design Patent**  
**Grill**

(10) **Patent No.:** **US D798,408 S**

(45) **Date of Patent:** **\*\* Sep. 26, 2017**

(54) **MITT TRAINER**

(71) Applicant: **David Glenn Grill**, Wilsonville, OR  
(US)

(72) Inventor: **David Glenn Grill**, Wilsonville, OR  
(US)

(\*\*) Term: **14 Years**

(21) Appl. No.: **29/519,955**

(22) Filed: **Mar. 9, 2015**

(51) **LOC (10) Cl.** ..... **21-02**

(52) **U.S. Cl.**  
USPC ..... **D21/780**; D21/698

(58) **Field of Classification Search**  
USPC ..... D21/698, 707, 715, 719, 722, 723, 756,  
D21/758, 780, 753; D8/14, 107, 301,  
D8/303, 305, 307, 310, 312, 313, DIG. 6,  
D8/DIG. 7, DIG. 8; D4/114, 121–123,  
D4/127, 128, 132–136, 137, 138;  
D32/40–52  
CPC ..... A63B 43/00; A63B 43/002; A63B 43/02;  
A63B 69/0002; A63B 69/0091; A63B  
2069/0004; A63B 2069/0006; A63B  
2069/0008; A63B 2069/0011; A63B  
71/143

See application file for complete search history.

(56) **References Cited**

**U.S. PATENT DOCUMENTS**

D226,161 S \* 1/1973 Paulsen ..... D8/14  
D260,961 S \* 9/1981 Leehaug ..... 81/177.2  
4,513,965 A \* 4/1985 Aschermann ..... A63B 69/0002  
473/458  
D308,140 S \* 5/1990 Klamm ..... D32/42  
5,035,424 A \* 7/1991 Liao ..... A63B 69/0091  
473/139  
5,230,506 A \* 7/1993 Cipriano ..... A63B 69/0091  
473/424

5,265,871 A 11/1993 Hanley  
D354,207 S \* 1/1995 Dawson ..... D8/14  
5,386,988 A \* 2/1995 Sung ..... A63B 69/0079  
473/423

(Continued)

**OTHER PUBLICATIONS**

Rawlings, “Rawlings Glove Break—In Kit,” product photos, 5 pages, stated by applicant to be at least as early as Feb. 27, 2015.\*

(Continued)

*Primary Examiner* — Catherine Tuttle  
(74) *Attorney, Agent, or Firm* — Law Office of Karen Dana Oster, LLC

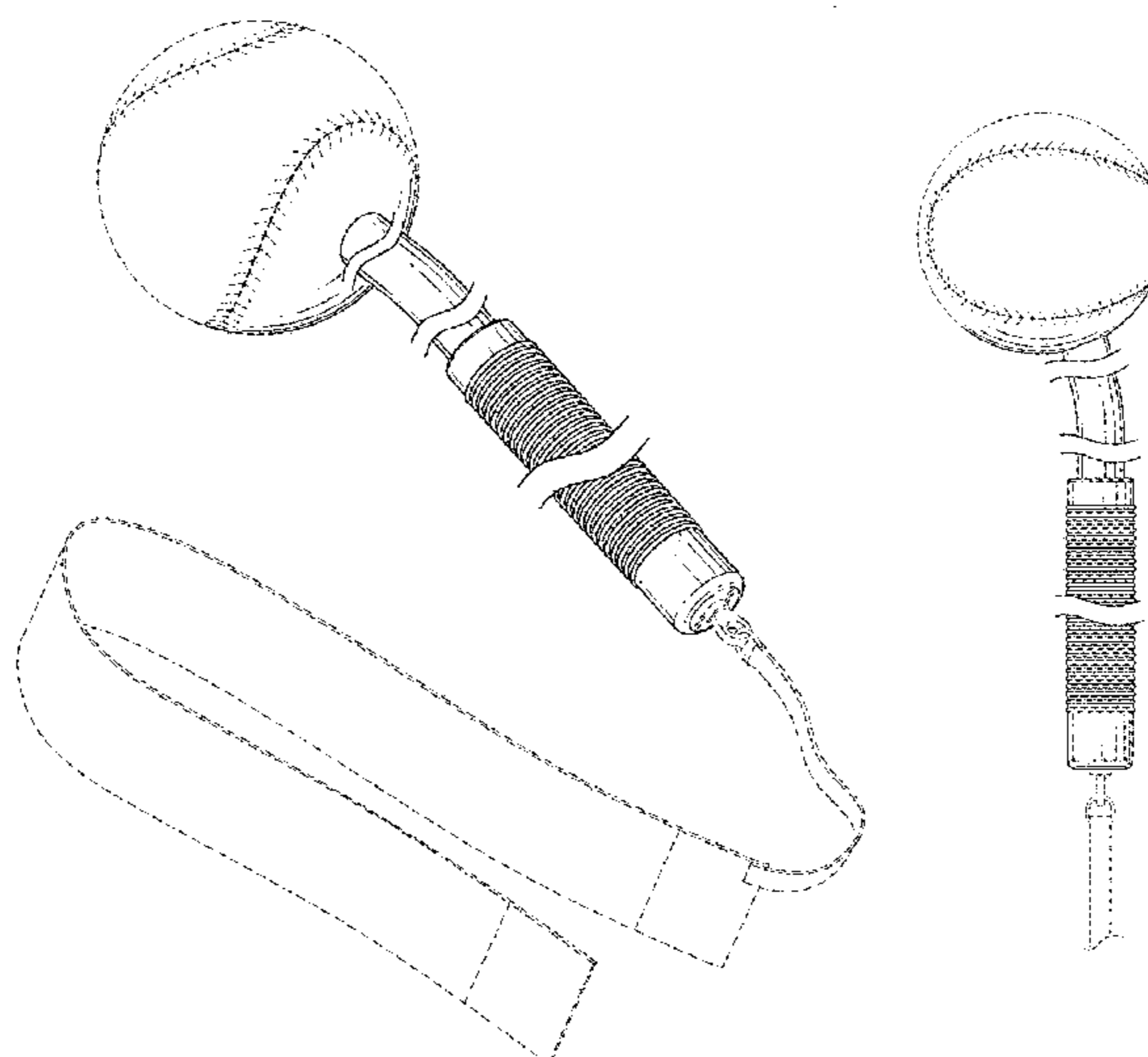
(57) **CLAIM**

I claim the ornamental design for a mitt trainer, as shown and described.

**DESCRIPTION**

FIG. 1 is a perspective view showing my new design for a mitt trainer together with broken lines representing the associated strap, mitt wrap, and outer shaper portion.  
FIG. 2 is a perspective view showing the mitt trainer inserted in the pocket of a mitt, shown in broken lines.  
FIG. 3 is another perspective view showing the mitt trainer with the broken line elements seen in FIG. 1 partially broken away.  
FIG. 4 is a front view thereof.  
FIG. 5 is a rear view thereof.  
FIG. 6 is a left side view thereof, the right side view being a mirror image of the left.  
FIG. 7 is a top plan view thereof; and,  
FIG. 8 is a bottom plan view thereof.  
The shading on the shafts and handles is meant to delineate contour, not material or surface texture.  
The broken lines showing the strap, mitt wrap, mitt, and portions of the shaper are for illustrative purposes only and form no part of the claimed design.

**1 Claim, 5 Drawing Sheets**



(56)

References Cited

U.S. PATENT DOCUMENTS

D358,751 S \* 5/1995 Kemp ..... D8/107  
 5,492,321 A \* 2/1996 Cipriano ..... A63B 69/0002  
 473/424  
 5,547,114 A 8/1996 Mitchell  
 5,638,999 A 6/1997 Greene  
 5,662,536 A \* 9/1997 Martinez ..... A63B 69/0075  
 473/417  
 5,868,368 A \* 2/1999 MacDonald ..... A63B 71/0036  
 211/33  
 D411,862 S \* 7/1999 Greene ..... D21/698  
 6,138,879 A 10/2000 Breuner  
 D497,086 S \* 10/2004 Lopes ..... D8/14  
 D511,948 S \* 11/2005 Shaltiel ..... D8/14  
 D562,100 S 2/2008 Kamradt  
 D574,202 S \* 8/2008 Rodriguez ..... D8/14  
 7,762,913 B1 \* 7/2010 Hagen ..... A63B 21/0552  
 473/457  
 D646,737 S \* 10/2011 Pimentel ..... D21/736  
 D678,030 S \* 3/2013 Iacampo, Sr. .... D8/107  
 8,540,584 B1 \* 9/2013 Sorenson ..... A63B 69/36  
 473/219  
 8,574,102 B1 \* 11/2013 Russell ..... A63B 67/20  
 473/425  
 D721,213 S \* 1/2015 Hamilton ..... D32/46  
 8,939,332 B2 1/2015 Elliott  
 2002/0165047 A1 \* 11/2002 Nunnely ..... A63B 43/02  
 473/438  
 2006/0035729 A1 \* 2/2006 Wang ..... A63B 69/0002  
 473/417  
 2006/0157901 A1 \* 7/2006 Vito ..... A41D 31/005  
 267/136  
 2007/0054756 A1 \* 3/2007 Hanson ..... A63B 69/0091  
 473/451  
 2007/0082762 A1 \* 4/2007 Falgoust ..... A63B 69/0002  
 473/453  
 2007/0202968 A1 \* 8/2007 Zappel ..... A63B 69/0002  
 473/424  
 2007/0270249 A1 \* 11/2007 James ..... A63B 69/0002  
 473/451  
 2010/0304900 A1 \* 12/2010 Gu ..... A63B 69/0002  
 473/419

2012/0115652 A1 \* 5/2012 Young ..... A63B 69/0002  
 473/447  
 2015/0018132 A1 \* 1/2015 Lovelace ..... A63B 69/0002  
 473/458  
 2015/0251070 A1 \* 9/2015 Castillo, Jr. .... A63B 69/0091  
 473/424

OTHER PUBLICATIONS

MonkeySports, Inc., "Mizuno Glove Wrap," copyright 1999-2016, Monkey Sports, Inc., all rights reserved, <http://baseballmonkey.com/baseball-softball-accessories/glove-accessories/homerun-mizuno-accessories-370137-glove-wrap-g2.html?green=922231F>, stated by applicant to be at least as early as Feb. 27, 2015, 4 pages.\*  
 Hot Glove Inc., "Glove Wrap," product photos, at least as early as Feb. 27, 2015, 2 pages, stated by applicant to be at least as early as Feb. 27, 2015.\*  
 Grill, David Glenn, photo of Applicant's early product, at least as early as 2000, 1 page.  
 Vinci, "Breaking in Your New Glove," copyright 1998-2015 Baseball Gloves, Softball Gloves and Equipment from Vinci, at least as early as Feb. 27, 2015, 3 pages.  
 HomerunMonkey.com Blog, "How to Soften a Baseball Glove the Right Way," <http://blog.homerunmonkey.com/how-to-soften-a-baseball-glove/>, at least as early as Feb. 27, 2015, 4 pages.  
 MonkeySports Inc., "Mizuno Ball Glove Shaping Mallet G2," copyright 1999-2014 MonkeySports Inc. all rights reserved, at least as early as Feb. 27, 2015, 4 pages.  
 TSB, "Glove Training Tool," <https://www.pinterest.com/taeaswing/tsb-glove-training-tool>, at least as early as Feb. 27, 2015, 2 pages.  
 Webgem Glove Care, "Webgem Glove Care System," "First Base-man's Form," copyright 2015 WebGem Glove Care, at least as early as Feb. 27, 2015, 5 pages.  
 Walmart, "Hot Glove Mallet," at least as early as Feb. 27, 2015, <https://www.walmart.com/ip/22930471?www=true&productRedirect=true>, 1 page.  
 Amazon Prime, Akadema Mitt Masher, copyright 1996-2015, at least as early as Feb. 27, 2015, [https://www.amazon.com/Akadema-Mittmasher-Mitt-Masher/dp/B004ZRL4XQ/ref=va\\_dp\\_rp\\_3\\_B00HE06CTC](https://www.amazon.com/Akadema-Mittmasher-Mitt-Masher/dp/B004ZRL4XQ/ref=va_dp_rp_3_B00HE06CTC), 5 pages.  
 Geometric Technologies Inc., "The Glove Breaker," copyright 2014, at least as early as Feb. 27, 2015, <http://ergomallet.com/>, 2 pages.  
 Rawlings, "Rawlings Glover Break-In Kit," product photos, at least as early as Feb. 27, 2015, 5 pages.

\* cited by examiner

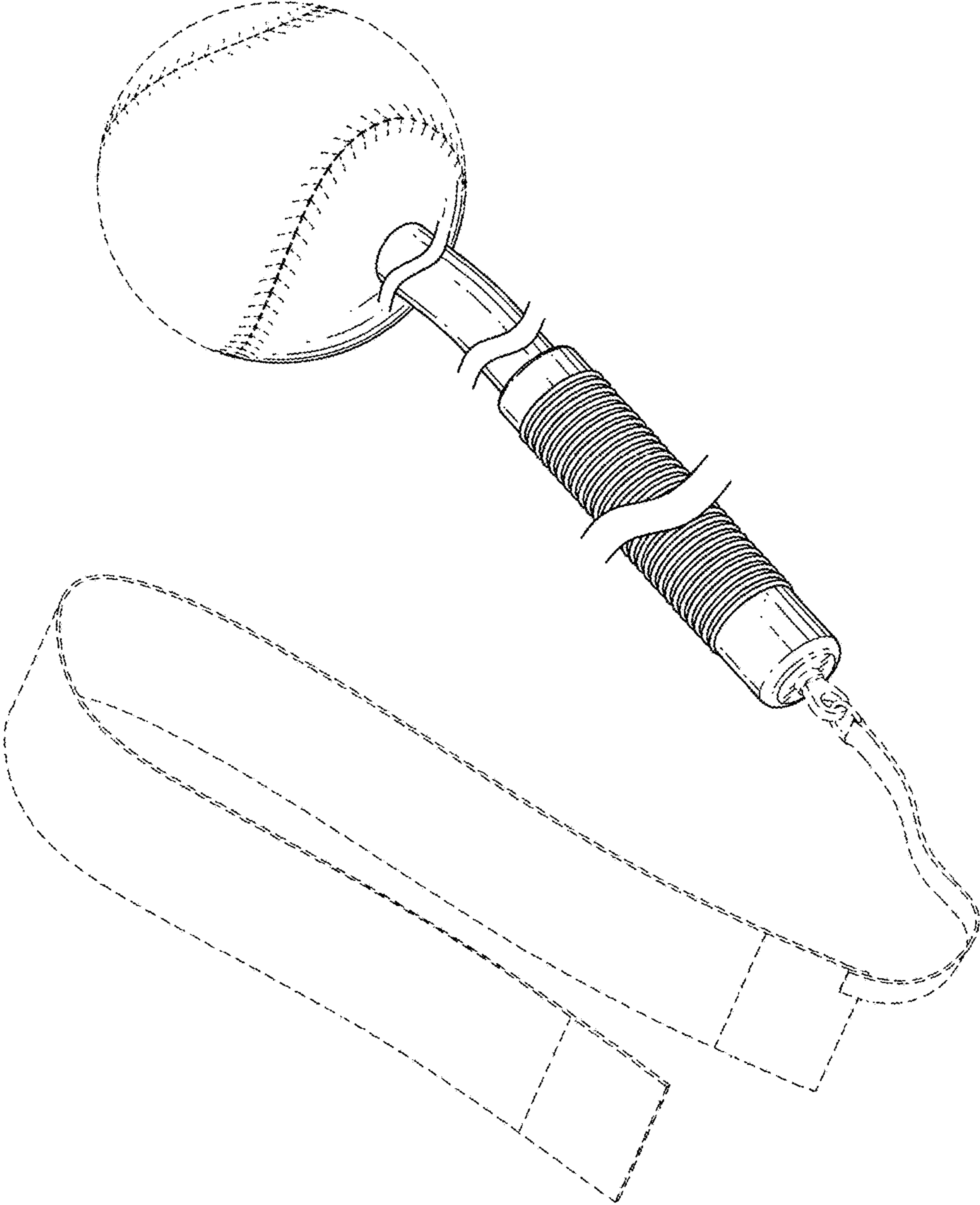


FIG. 1

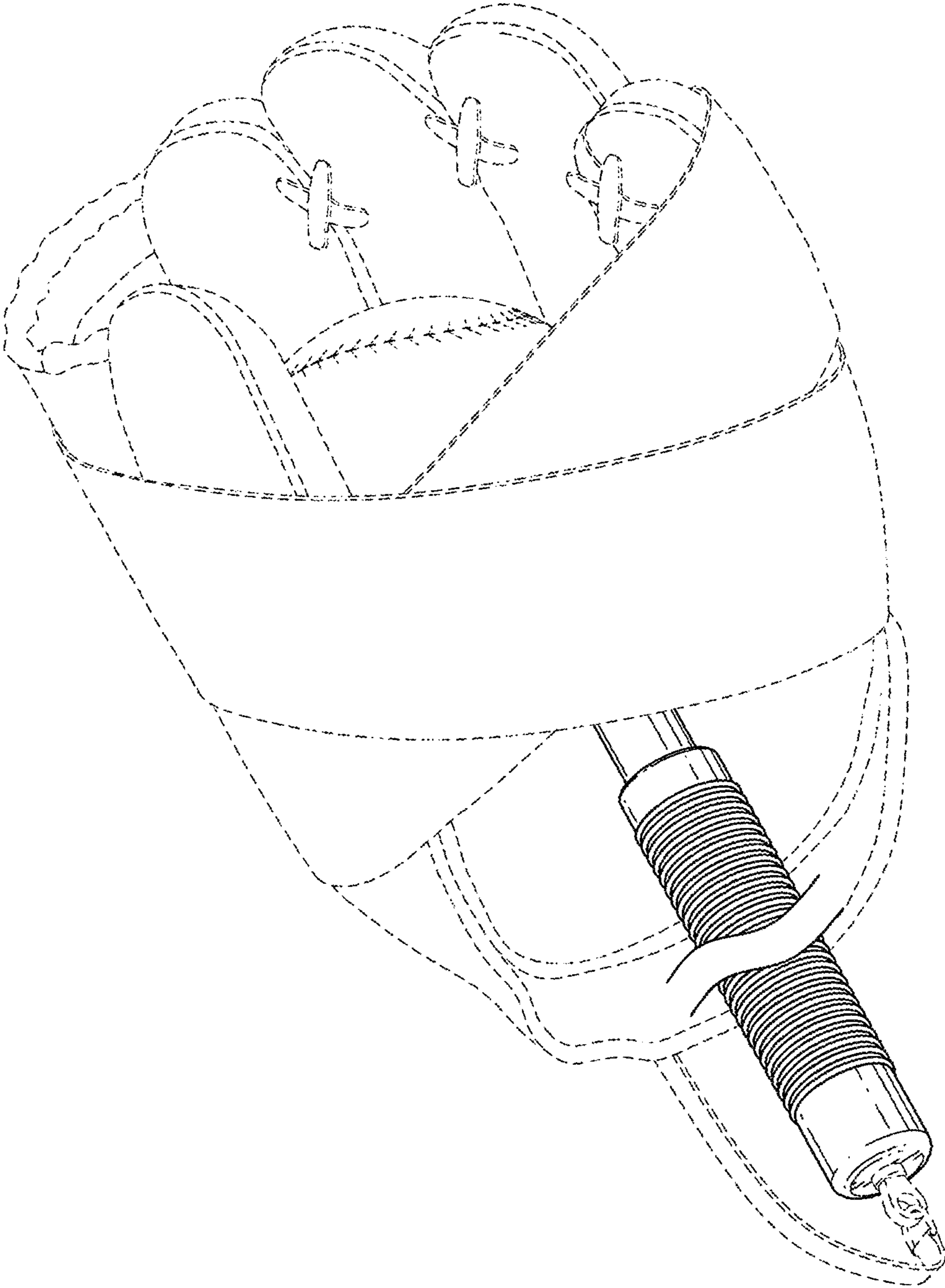


FIG. 2

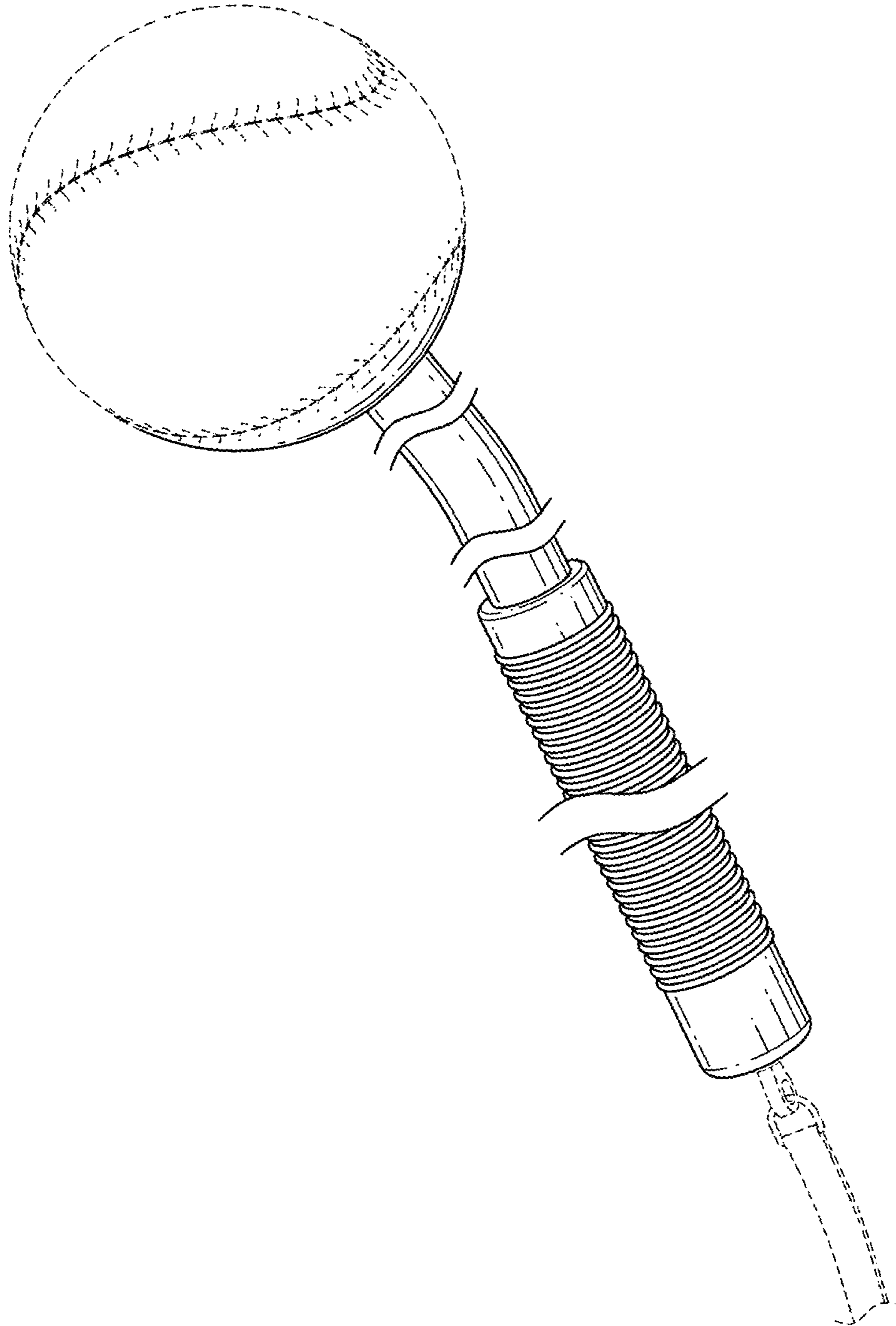


FIG. 3

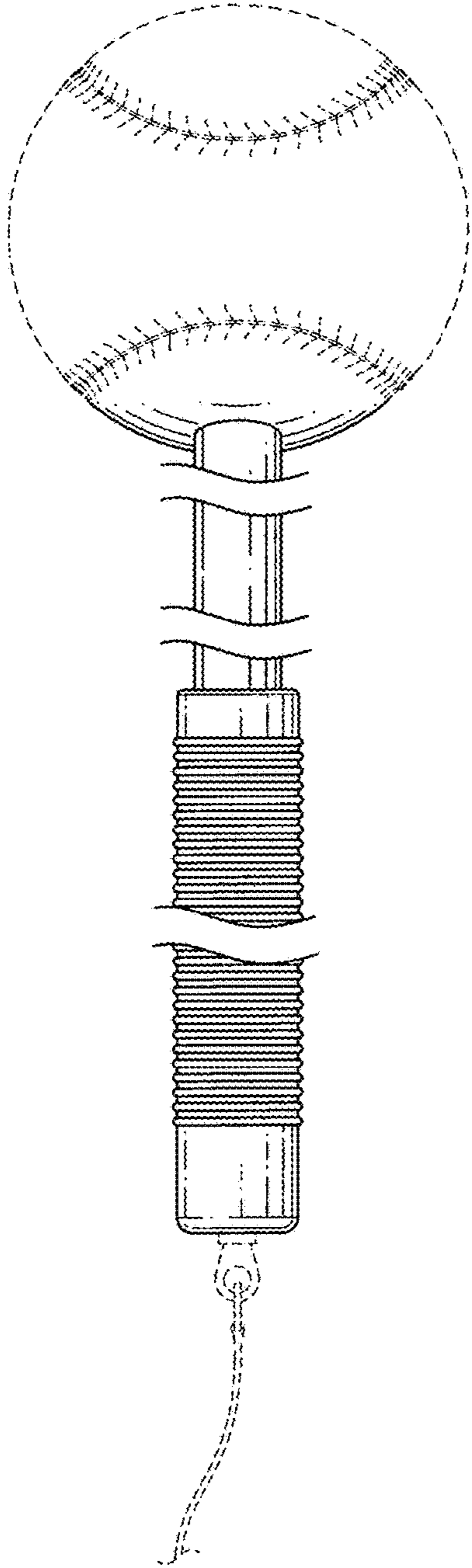


FIG. 4

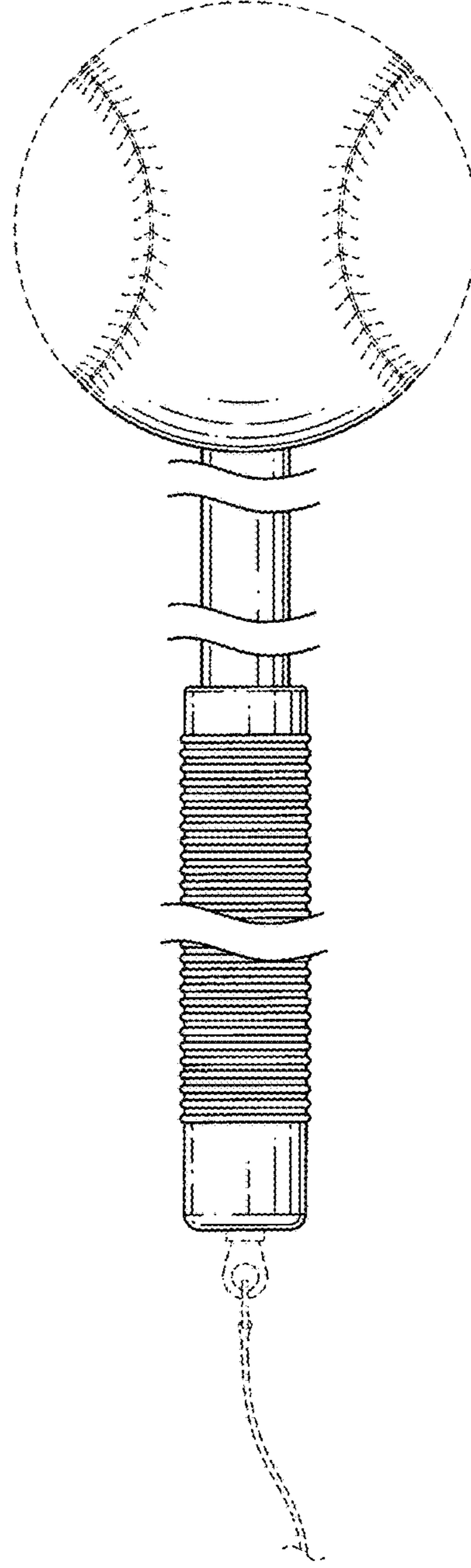


FIG. 5

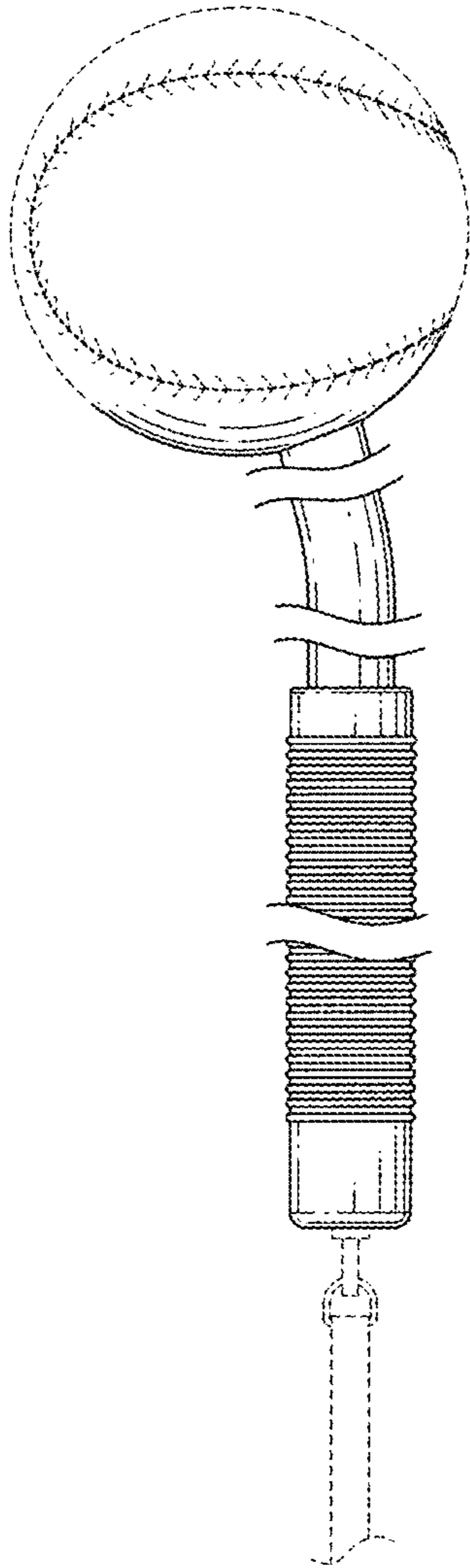


FIG. 6

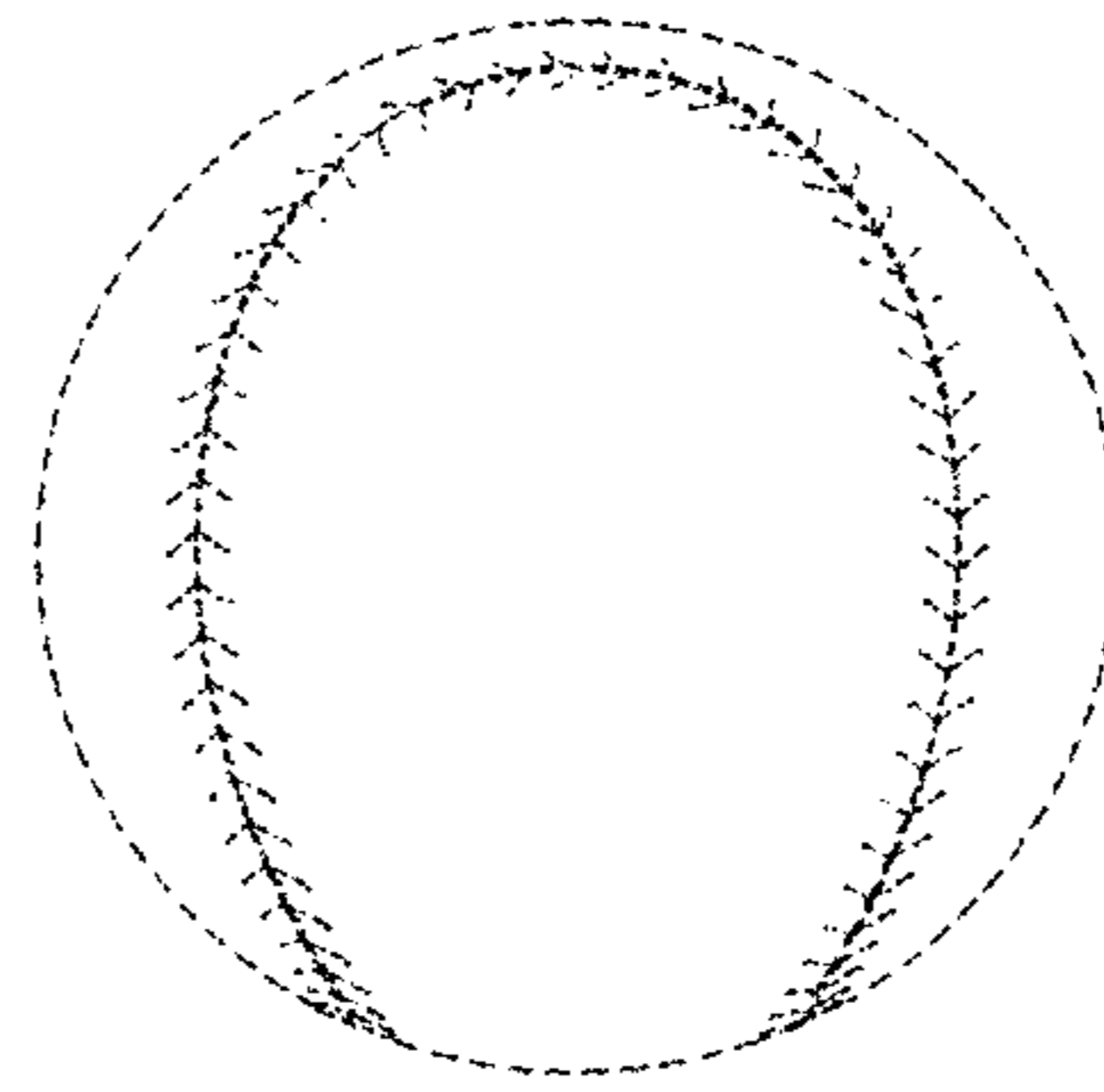


FIG. 7

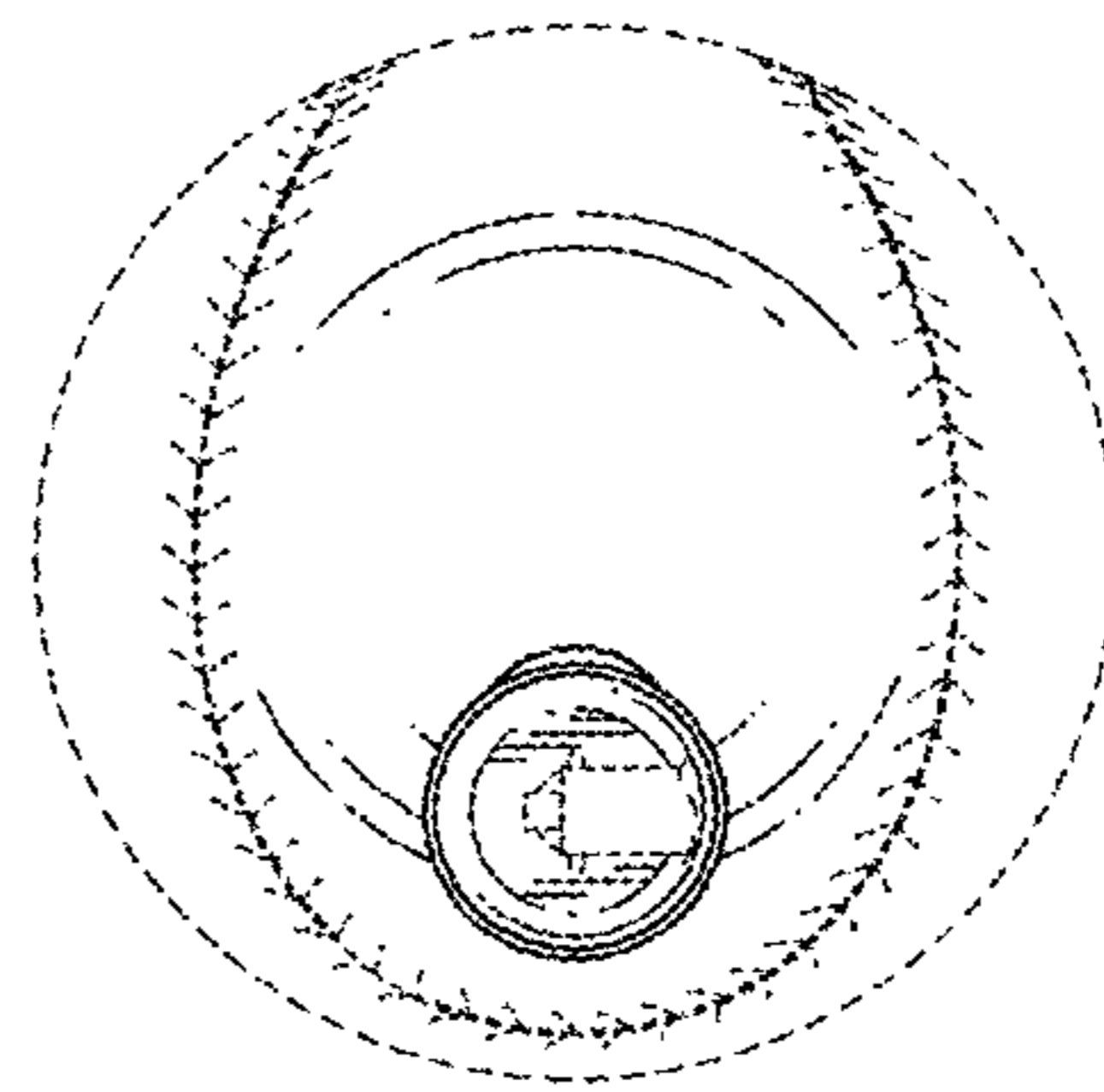


FIG. 8