



US00D798407S

(12) **United States Design Patent**  
**Pang**

(10) **Patent No.:** **US D798,407 S**

(45) **Date of Patent:** **\*\* Sep. 26, 2017**

(54) **ELECTRICAL TRANSPORTATION TOOL**

5,330,026 A \* 7/1994 Hsu ..... A63C 17/01  
180/181

(71) Applicant: **Walnut Technology Limited**, Kowloon  
(HK)

D413,954 S \* 9/1999 Gerlach ..... D21/765

D608,851 S \* 1/2010 Hillman ..... D21/765

D723,123 S \* 2/2015 Norman ..... D21/765

D724,166 S \* 3/2015 Hamborg ..... D21/765

(72) Inventor: **Yik Hang Pang**, Hong Kong (CN)

(73) Assignee: **Walnut Technology Limited**, Kowloon,  
Hong Kong (CN)

\* cited by examiner

(\*\*) Term: **15 Years**

*Primary Examiner* — Cynthia M Chin

(74) *Attorney, Agent, or Firm* — Finnegan, Henderson,  
Farabow, Garrett & Dunner LLP

(21) Appl. No.: **29/572,889**

(22) Filed: **Aug. 1, 2016**

(51) **LOC (10) Cl.** ..... **21-02**

(57) **CLAIM**

(52) **U.S. Cl.**

The ornamental design for an electrical transportation tool,  
as shown and described.

USPC ..... **D21/765**

(58) **Field of Classification Search**

USPC ..... D21/419, 421, 423, 426, 662, 760, 765,  
D21/766, 769, 771, 776, 803; D12/1;  
280/7.14, 11.115, 11.19, 11.27, 11.28,  
280/14.21, 79.11, 79.2, 87.01, 87.021,  
280/87.03, 87.041, 87.042, 607, 608, 609,  
280/809; 180/180, 181; 434/247, 253,  
434/258; D34/23, 28

**DESCRIPTION**

CPC .... A63C 17/01; A63C 17/011; A63C 17/012;  
A63C 17/014; A63C 17/015; A63C  
17/02; A63C 17/26; A63C 5/003; B60Q  
1/326; B62K 3/001

FIG. 1 is a top, front, right perspective view of an electrical  
transportation tool, showing my new design;  
FIG. 2 is a bottom, rear, left perspective view thereof;  
FIG. 3 is a bottom, right perspective view thereof;  
FIG. 4 is a front elevation view thereof;  
FIG. 5 is a rear elevation view thereof;  
FIG. 6 is a left side elevation view thereof;  
FIG. 7 is a right side elevation view thereof;  
FIG. 8 is a top plan view thereof; and,  
FIG. 9 is a bottom plan view thereof.

See application file for complete search history.

Contrast in materials is shown using line shading on some  
surfaces and stippling shading on others.

(56) **References Cited**

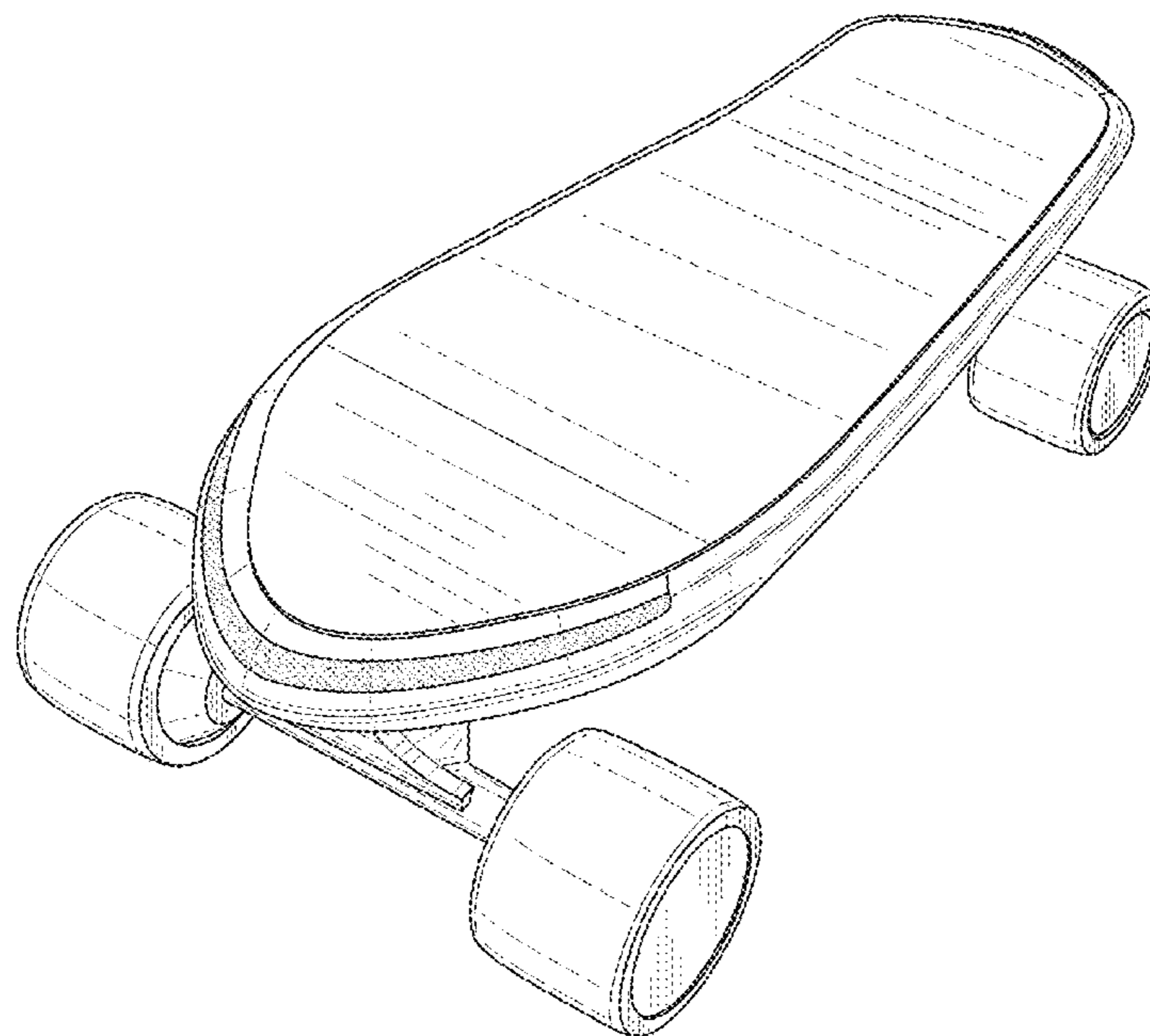
**U.S. PATENT DOCUMENTS**

D298,448 S \* 11/1988 Seehaver ..... D21/765

5,004,256 A \* 4/1991 Won ..... A63C 17/26

280/87.042

**1 Claim, 9 Drawing Sheets**



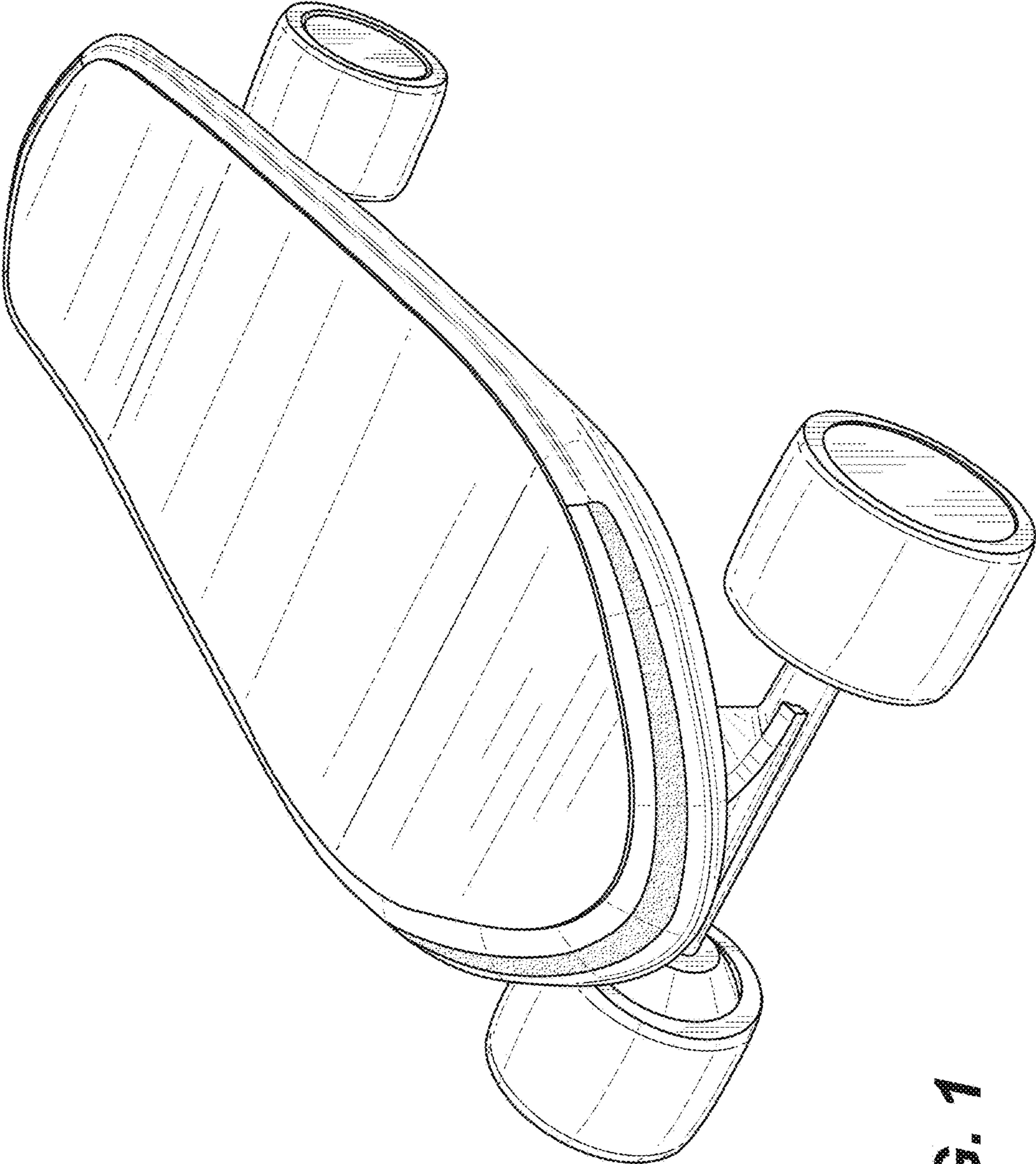
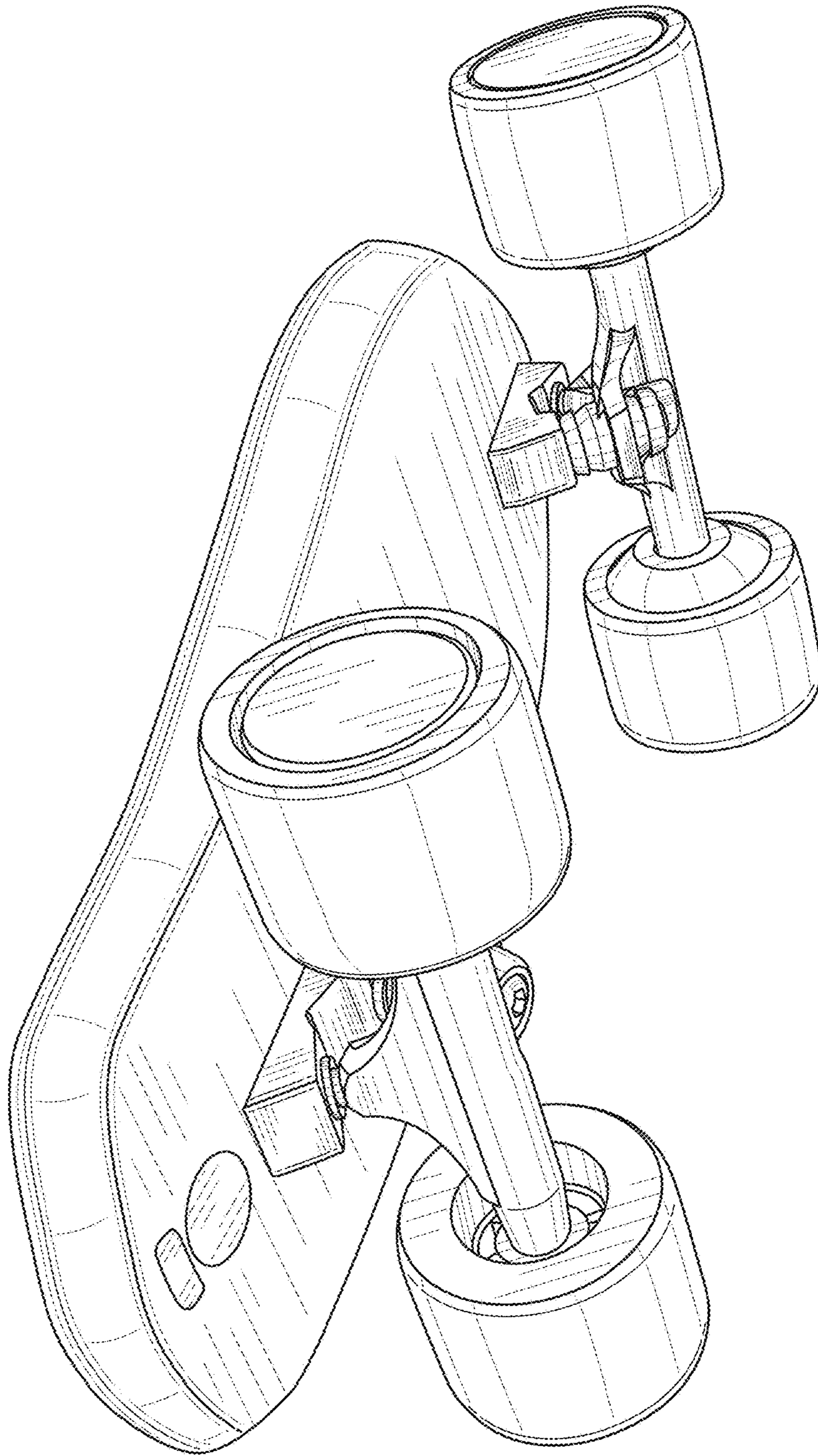


FIG. 1



**FIG. 2**



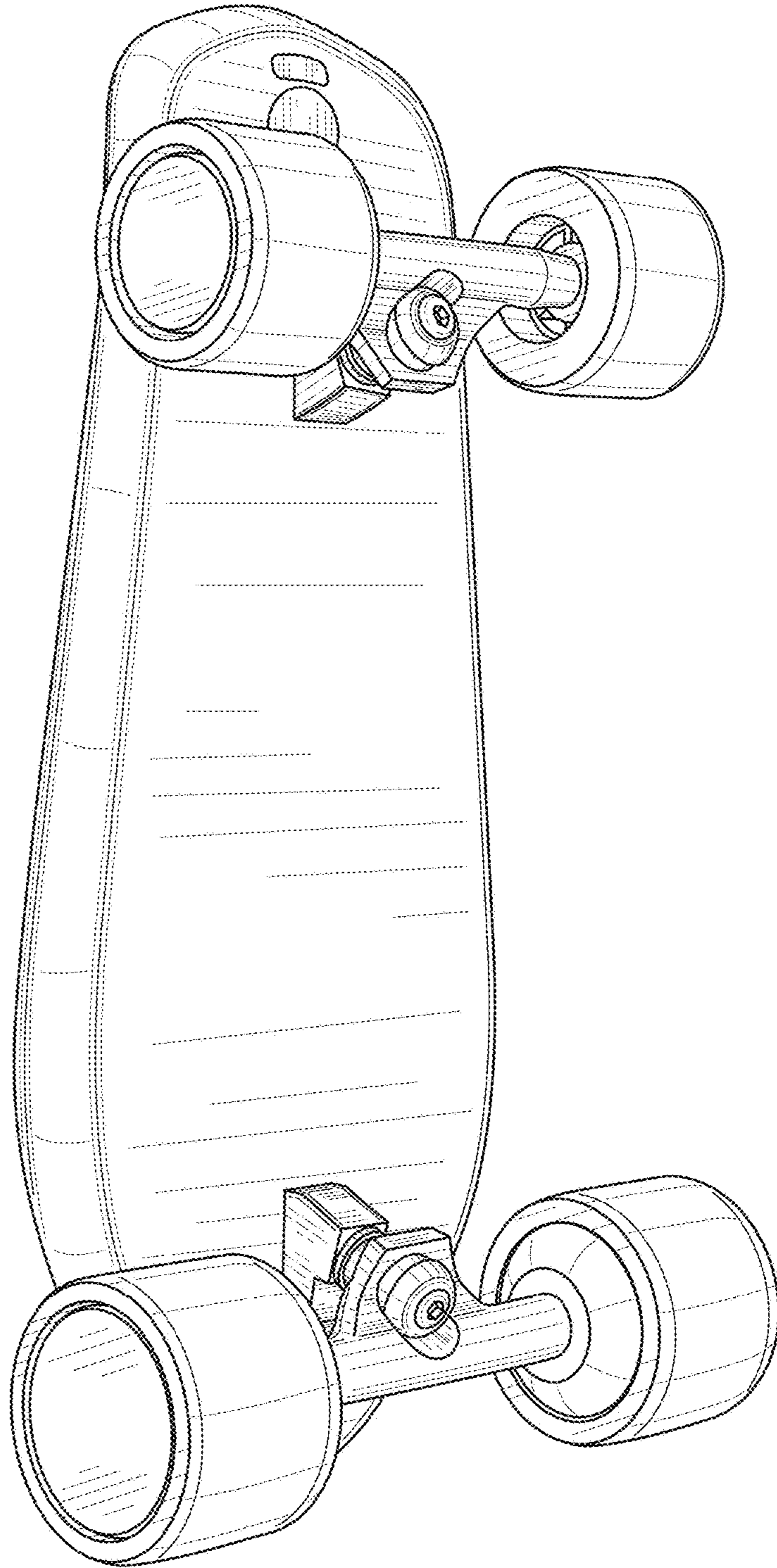
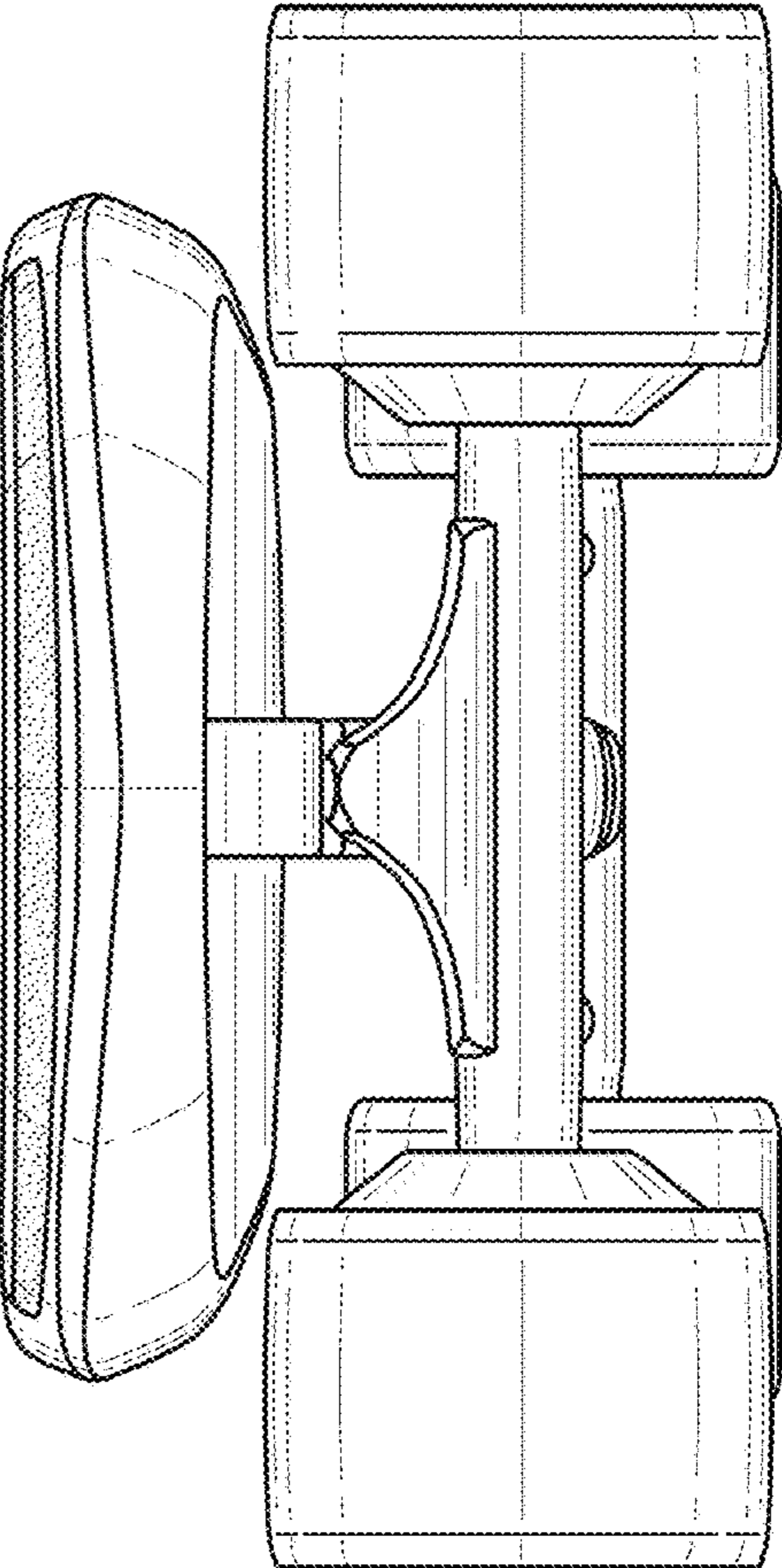
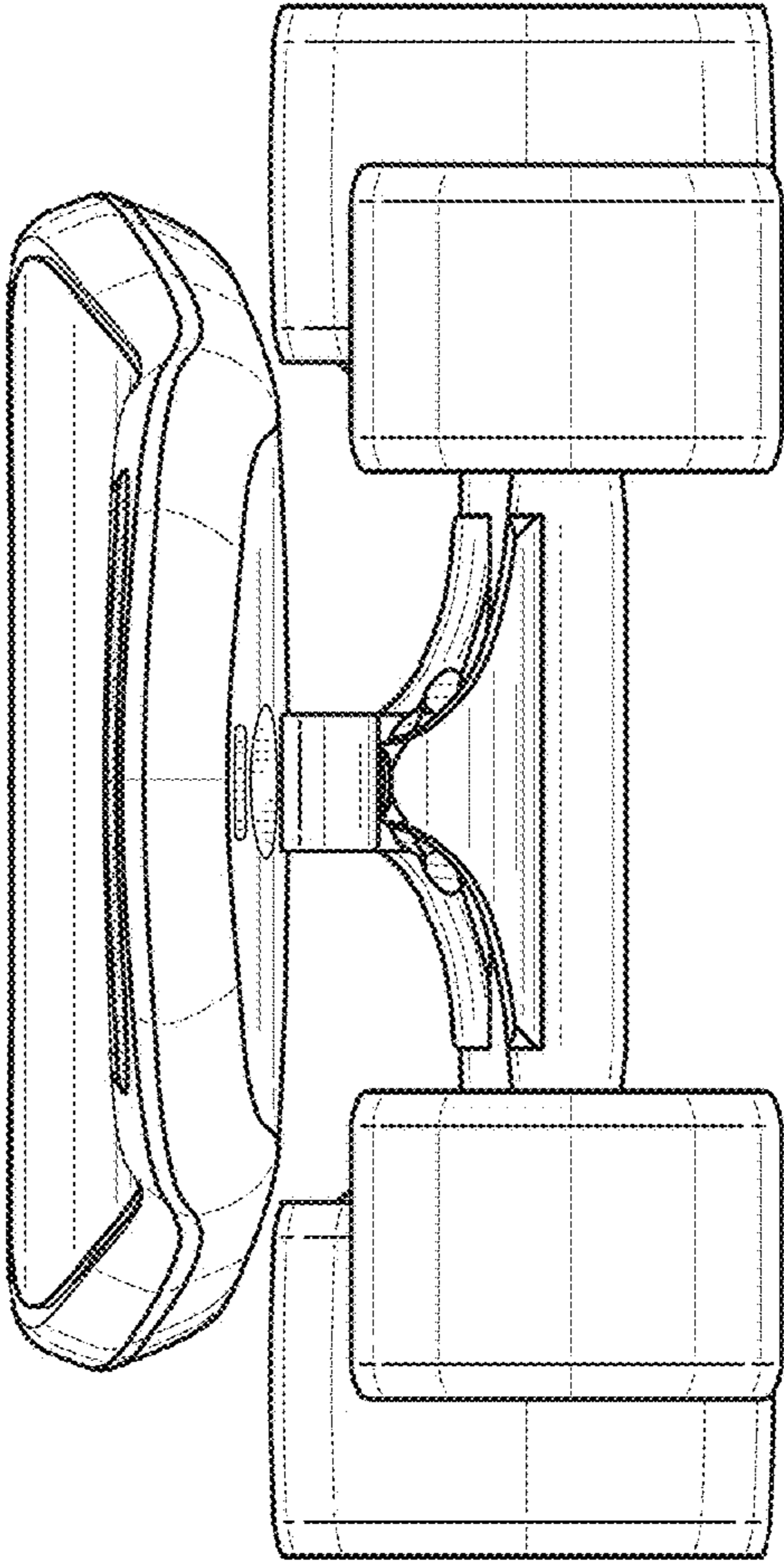


FIG. 3



**FIG. 4**



**FIG. 5**

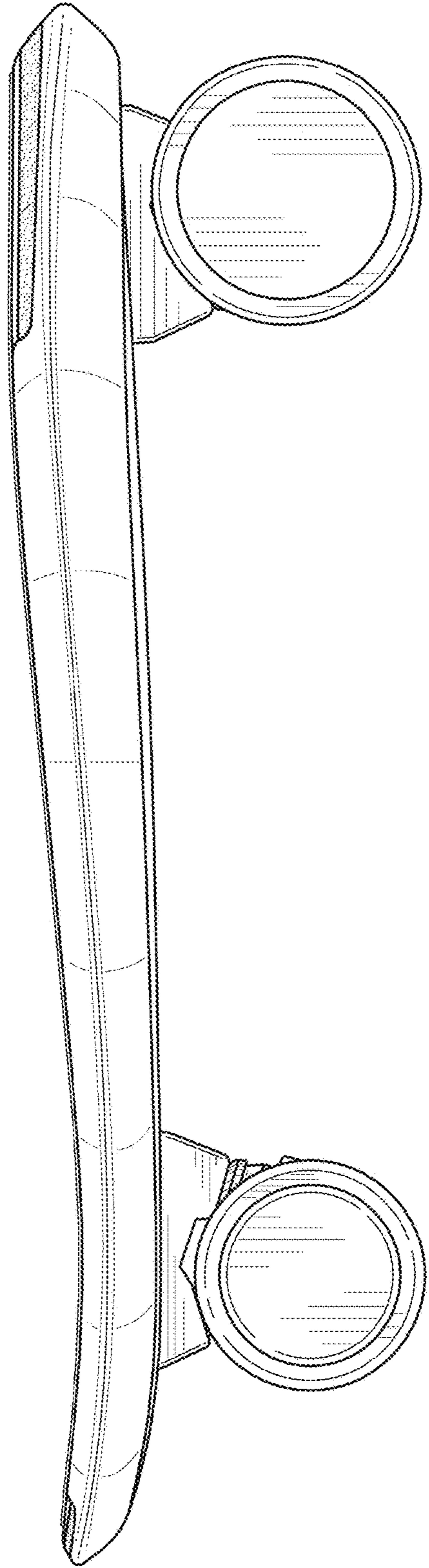
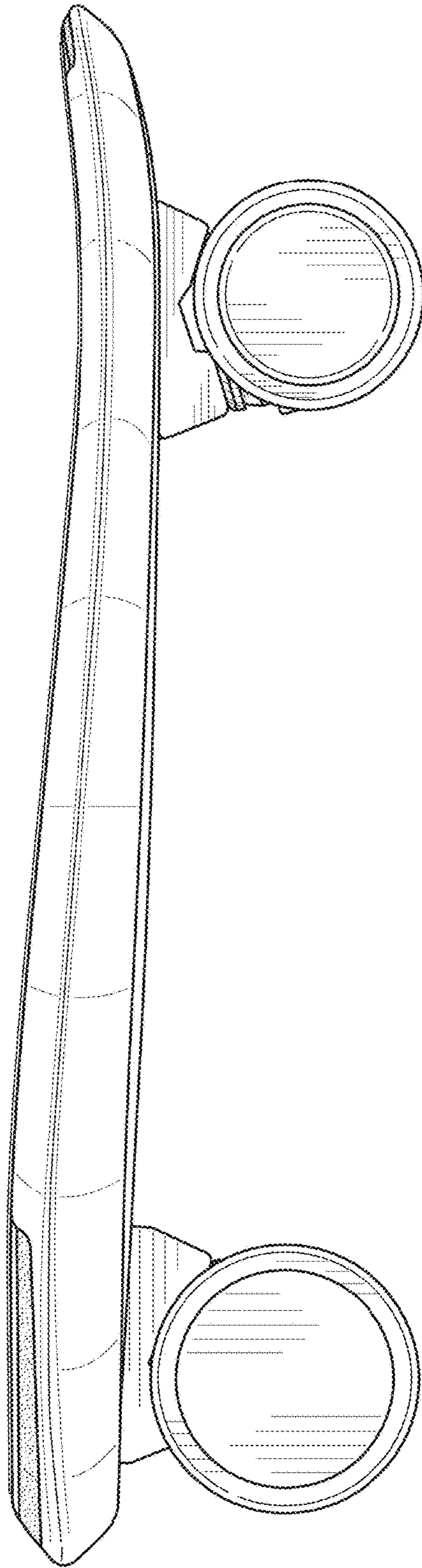


FIG. 6



**FIG. 7**



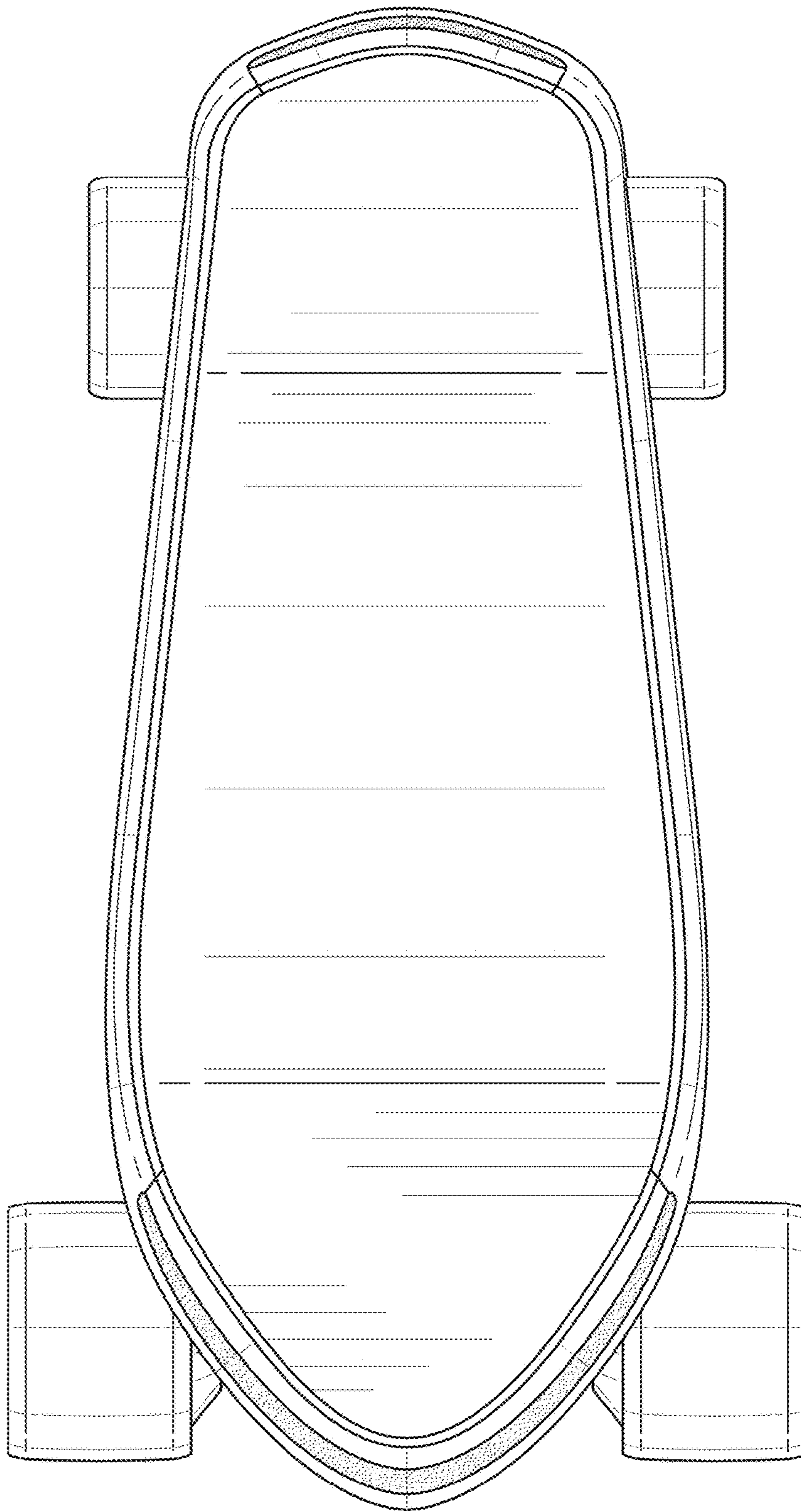


FIG. 8

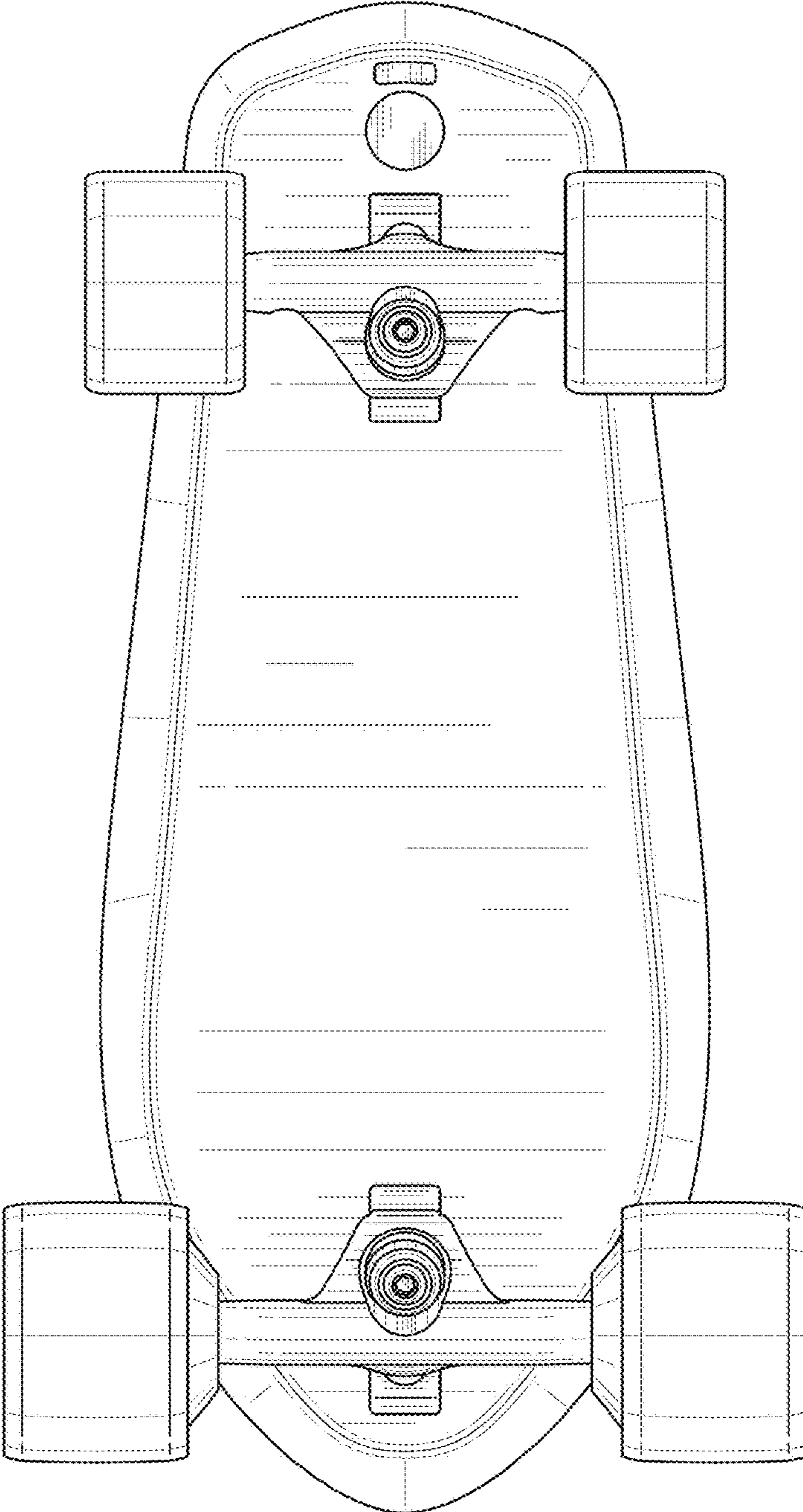


FIG. 9