



US00D798401S

(12) **United States Design Patent**
Kenneally et al.

(10) **Patent No.:** **US D798,401 S**

(45) **Date of Patent:** **** Sep. 26, 2017**

(54) **LACROSSE HEAD**

(71) Applicant: **East Coast Dyes, Inc.**, Towson, MD
(US)

(72) Inventors: **Gregory Kenneally**, Lutherville, MD
(US); **Brian Schaaf**, West Chester, PA
(US); **Hamilton Sean Whitney**,
Baltimore, MD (US)

(73) Assignee: **East Coast Dyes, Inc.**, Towson, MD
(US)

(**) Term: **15 Years**

(21) Appl. No.: **29/566,194**

(22) Filed: **May 27, 2016**

(51) **LOC (10) Cl.** **21-02**

(52) **U.S. Cl.**
USPC **D21/724**

(58) **Field of Classification Search**

USPC D21/724, 753
CPC A63B 59/20; A63B 60/00; A63B 60/46;
A63B 49/00-49/14; A63B 53/00-53/14;
A63B 59/40

See application file for complete search history.

(56) **References Cited**

U.S. PATENT DOCUMENTS

D297,963 S * 10/1988 Tucker D21/724
7,749,113 B2 * 7/2010 Morrow A63B 59/20
473/505

8,282,512 B1 * 10/2012 Winningham A63B 59/20
473/513
D692,075 S * 10/2013 Vestuti D21/724
D716,881 S * 11/2014 Gait D21/724
D733,232 S * 6/2015 Li D21/724
D740,899 S * 10/2015 McPhail D21/724
D741,425 S * 10/2015 Paquette D21/724
D750,185 S * 2/2016 Burns D21/724
D753,248 S * 4/2016 Burns D21/724
D786,376 S * 5/2017 Paquette D21/724

* cited by examiner

Primary Examiner — Mitchell Siegel

(74) *Attorney, Agent, or Firm* — Medler Ferro
Woodhouse & Mills PLLC

(57) **CLAIM**

The ornamental design for a lacrosse head, as shown and described.

DESCRIPTION

FIG. 1 is a top perspective view of an embodiment of a lacrosse head showing our design.

FIG. 2 is a bottom perspective view of the lacrosse head of FIG. 1.

FIG. 3 is a right side view of the lacrosse head of FIG. 1.

FIG. 4 is a front view of the lacrosse head of FIG. 1.

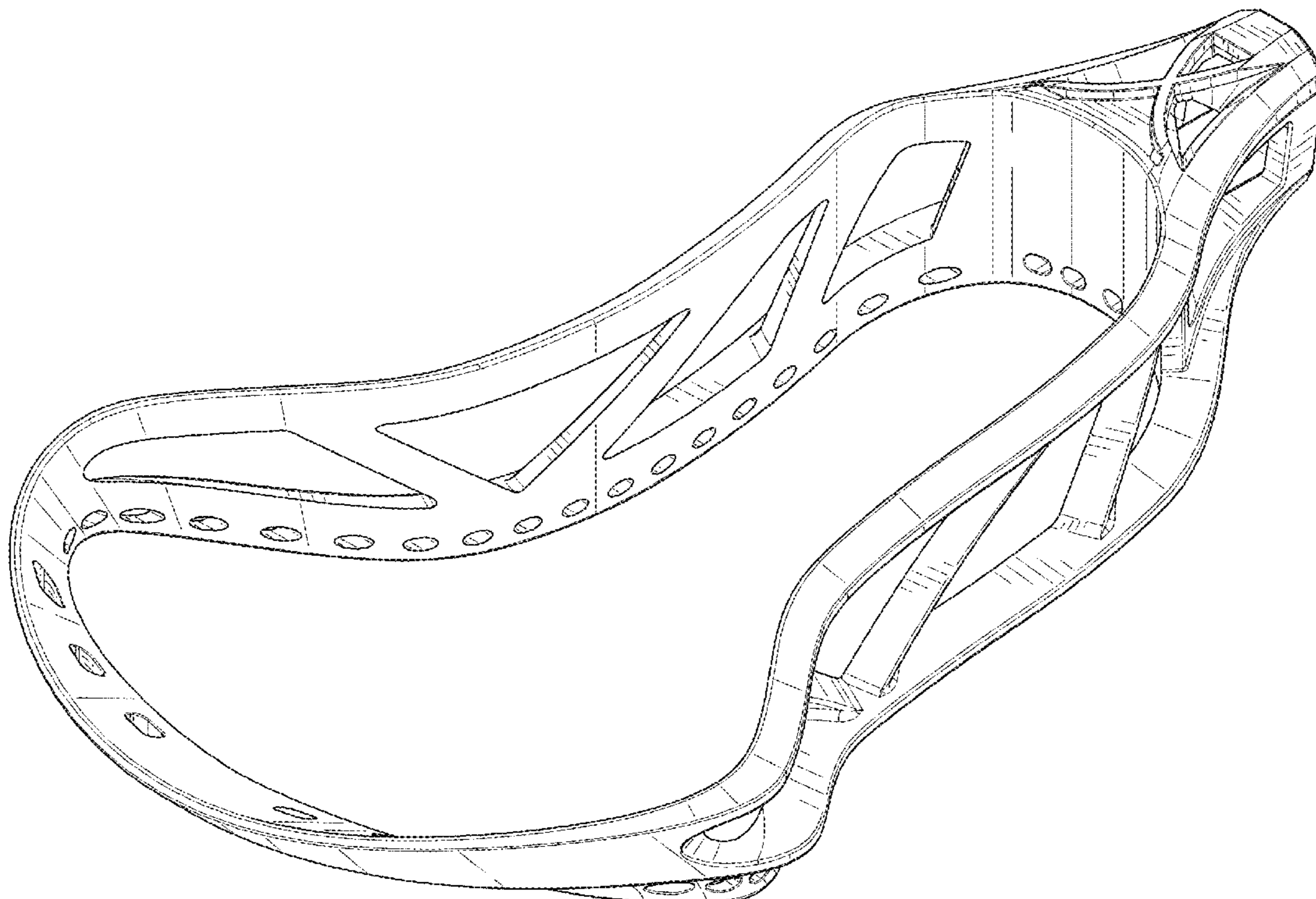
FIG. 5 is a left side view of the lacrosse head of FIG. 1.

FIG. 6 is a back view of the lacrosse head of FIG. 1.

FIG. 7 is a top view of the lacrosse head of FIG. 1; and,

FIG. 8 is a bottom view of the lacrosse head of FIG. 1.

1 Claim, 6 Drawing Sheets



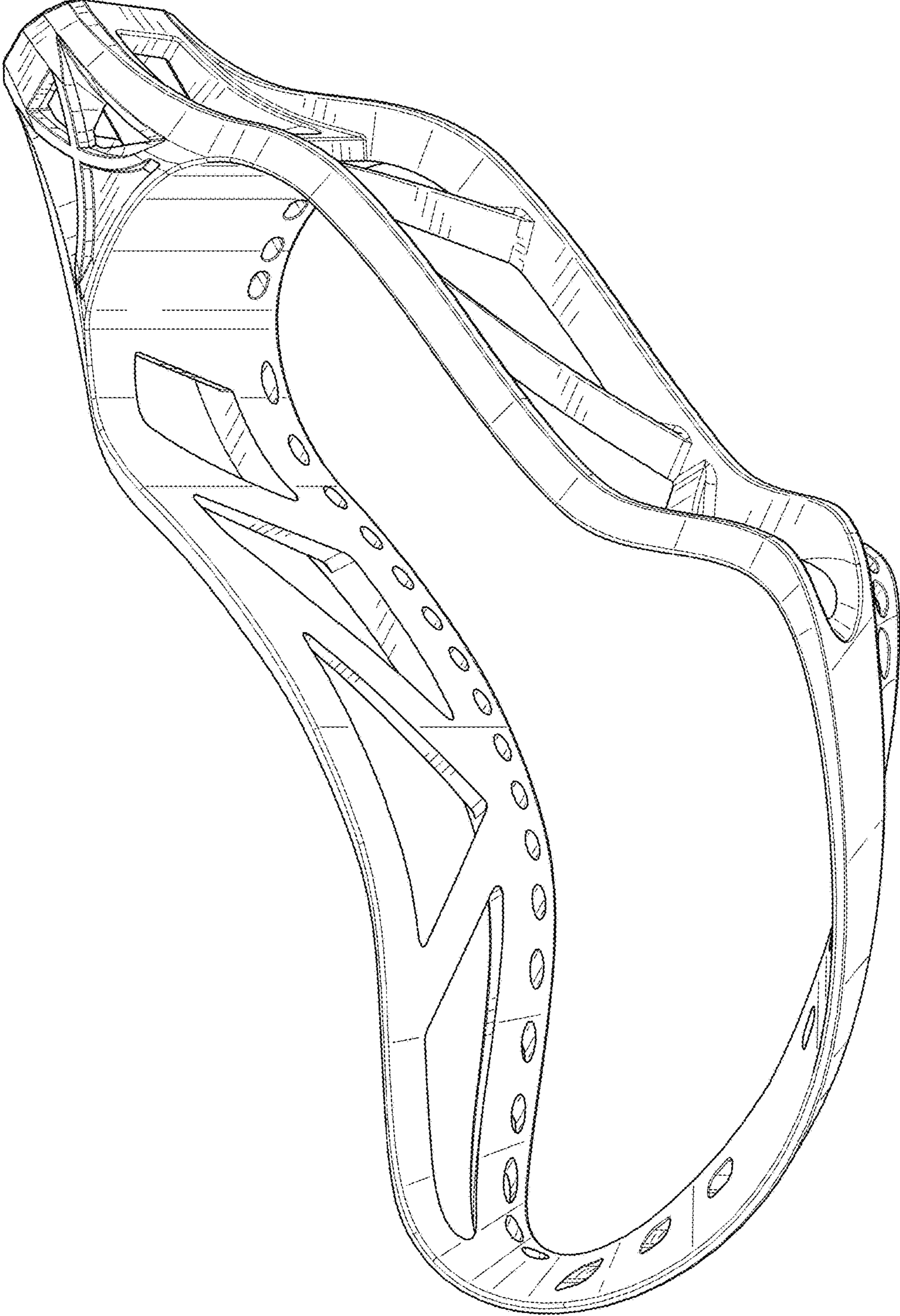


FIG. 1

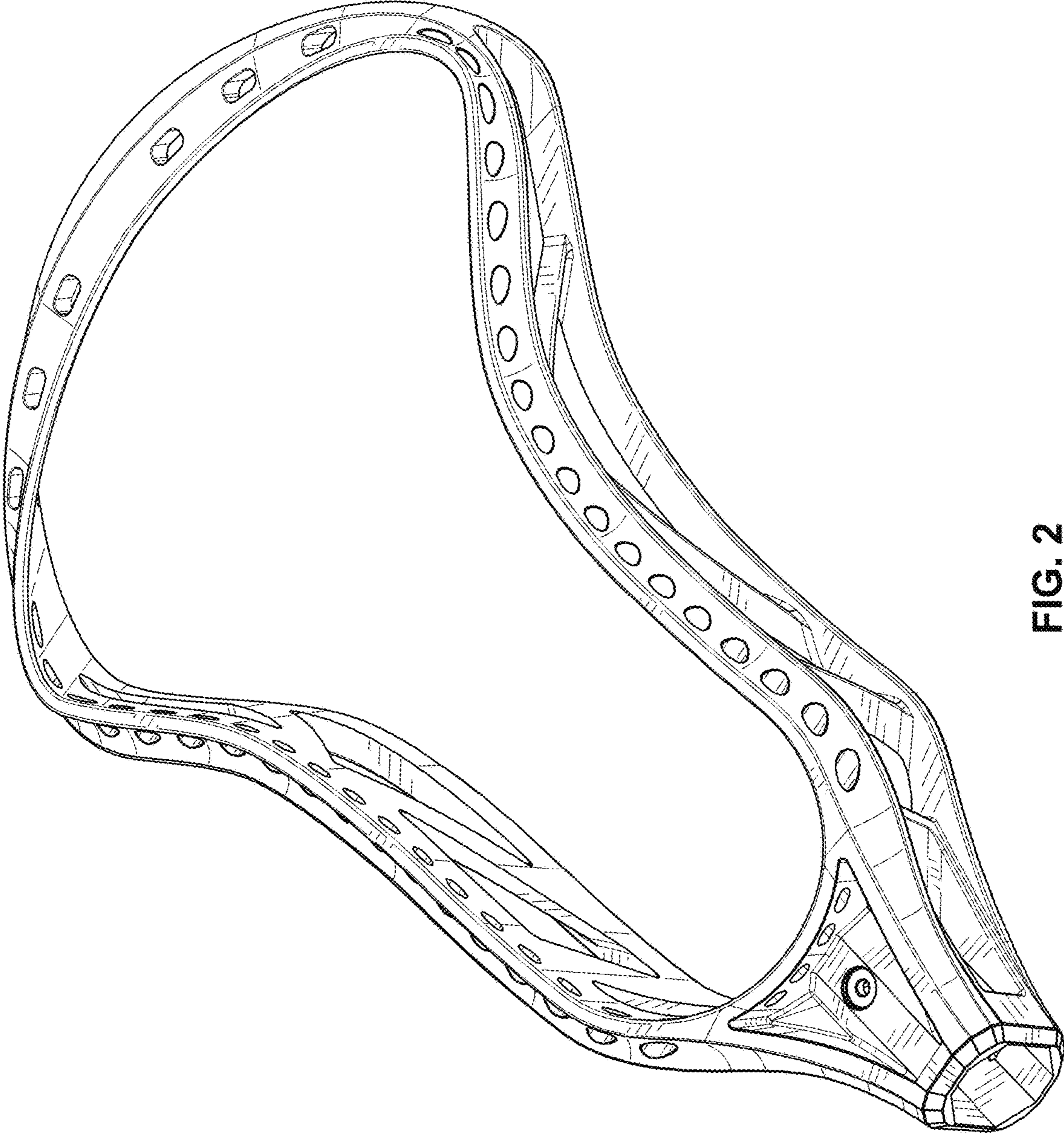


FIG. 2

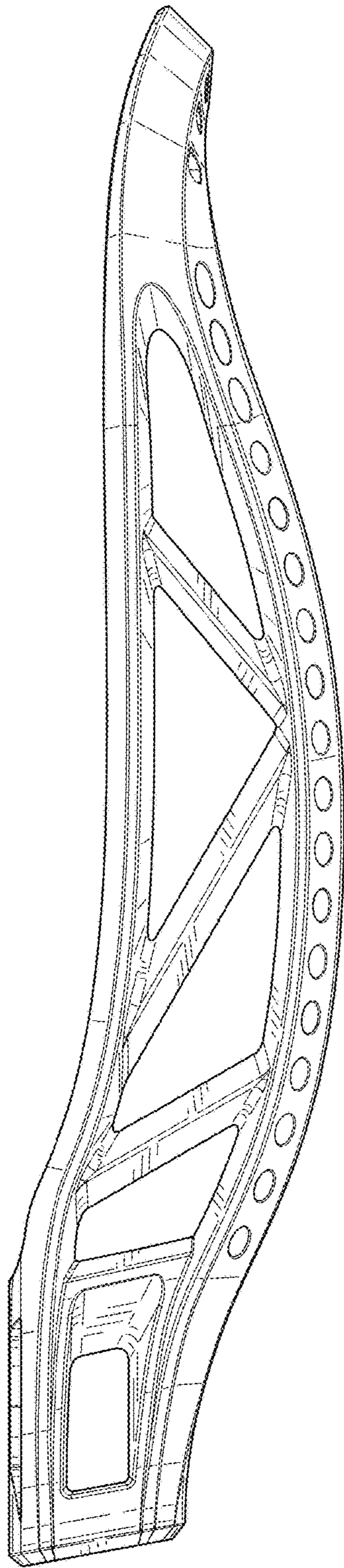


FIG. 3

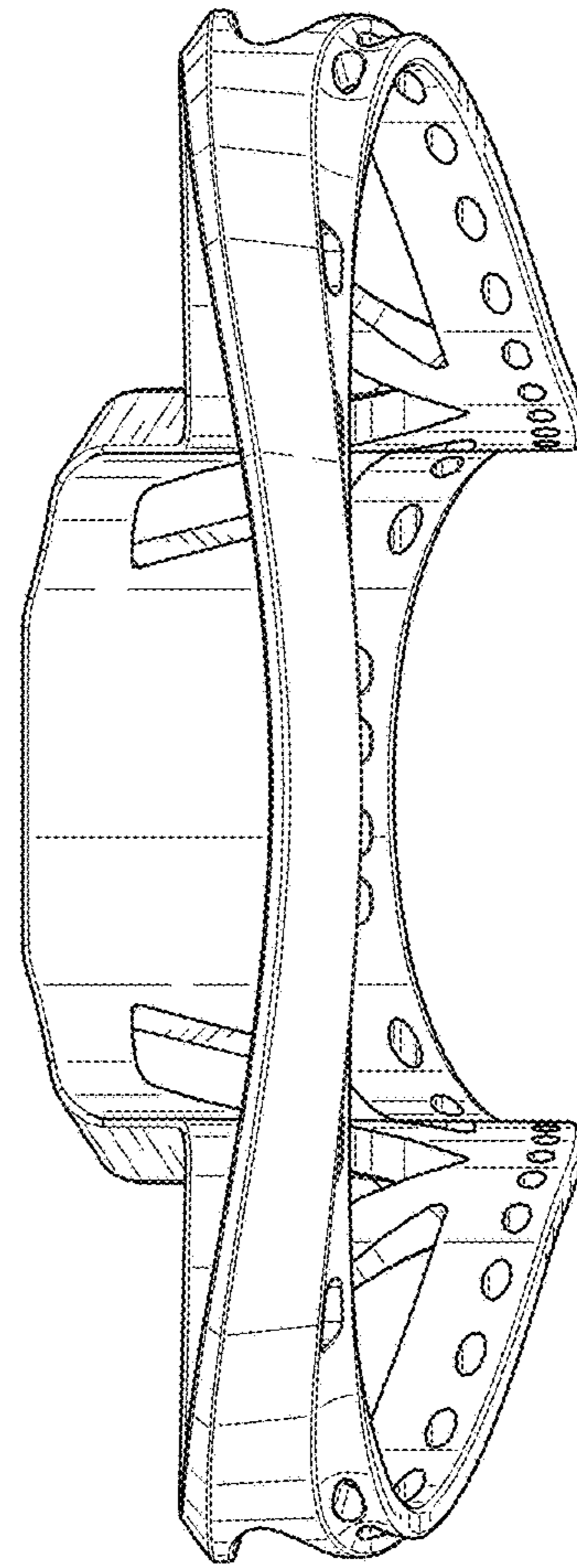


FIG. 4

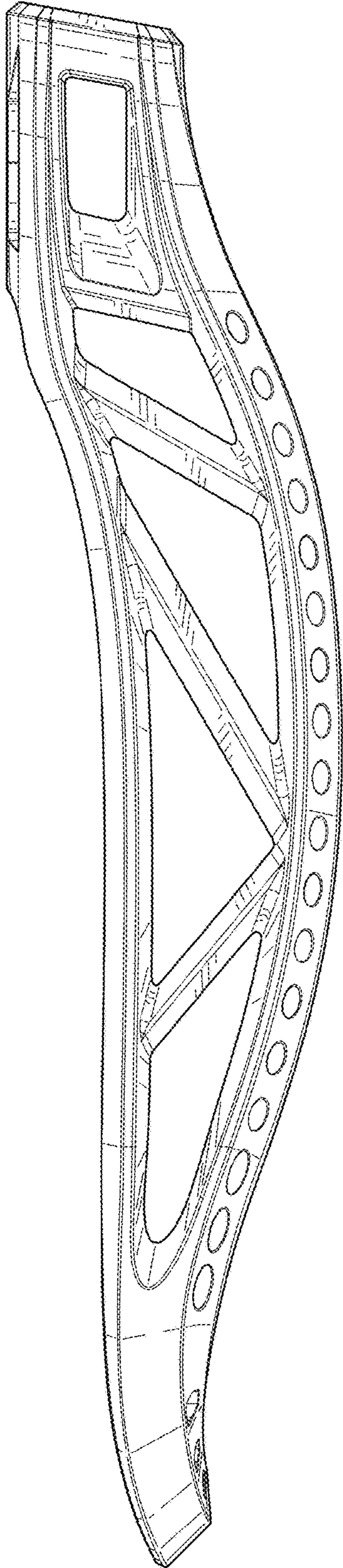


FIG. 5

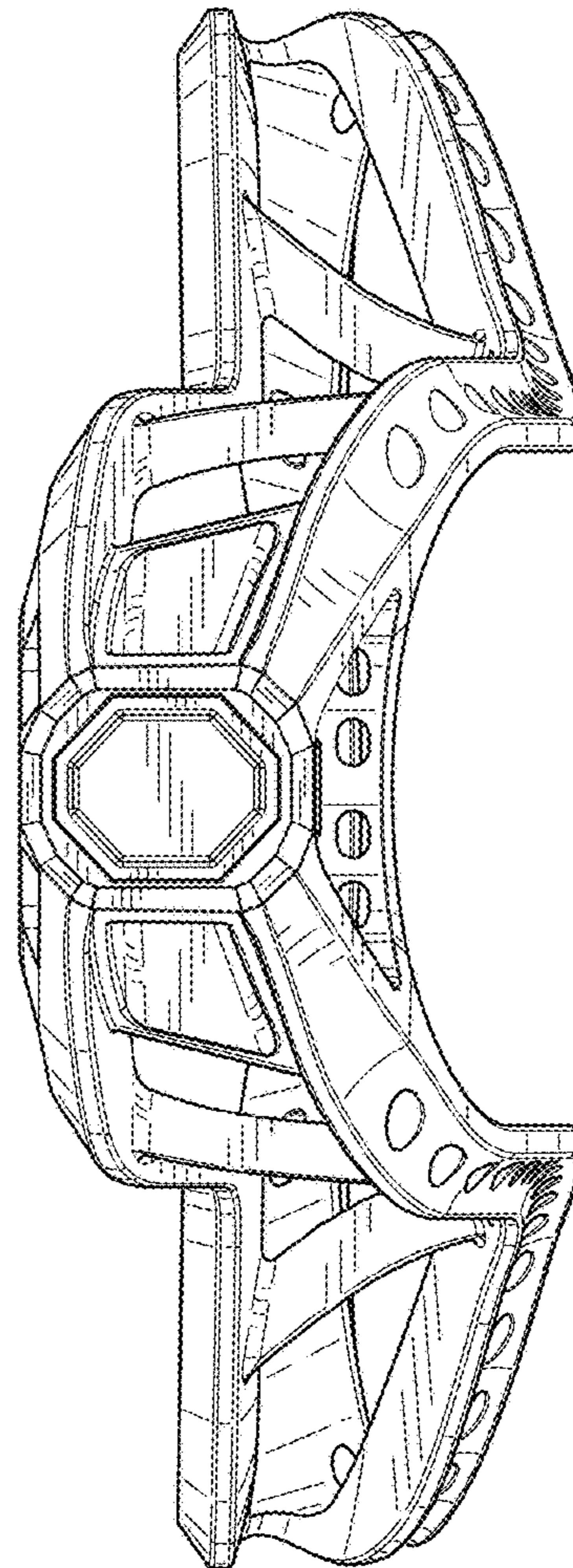


FIG. 6

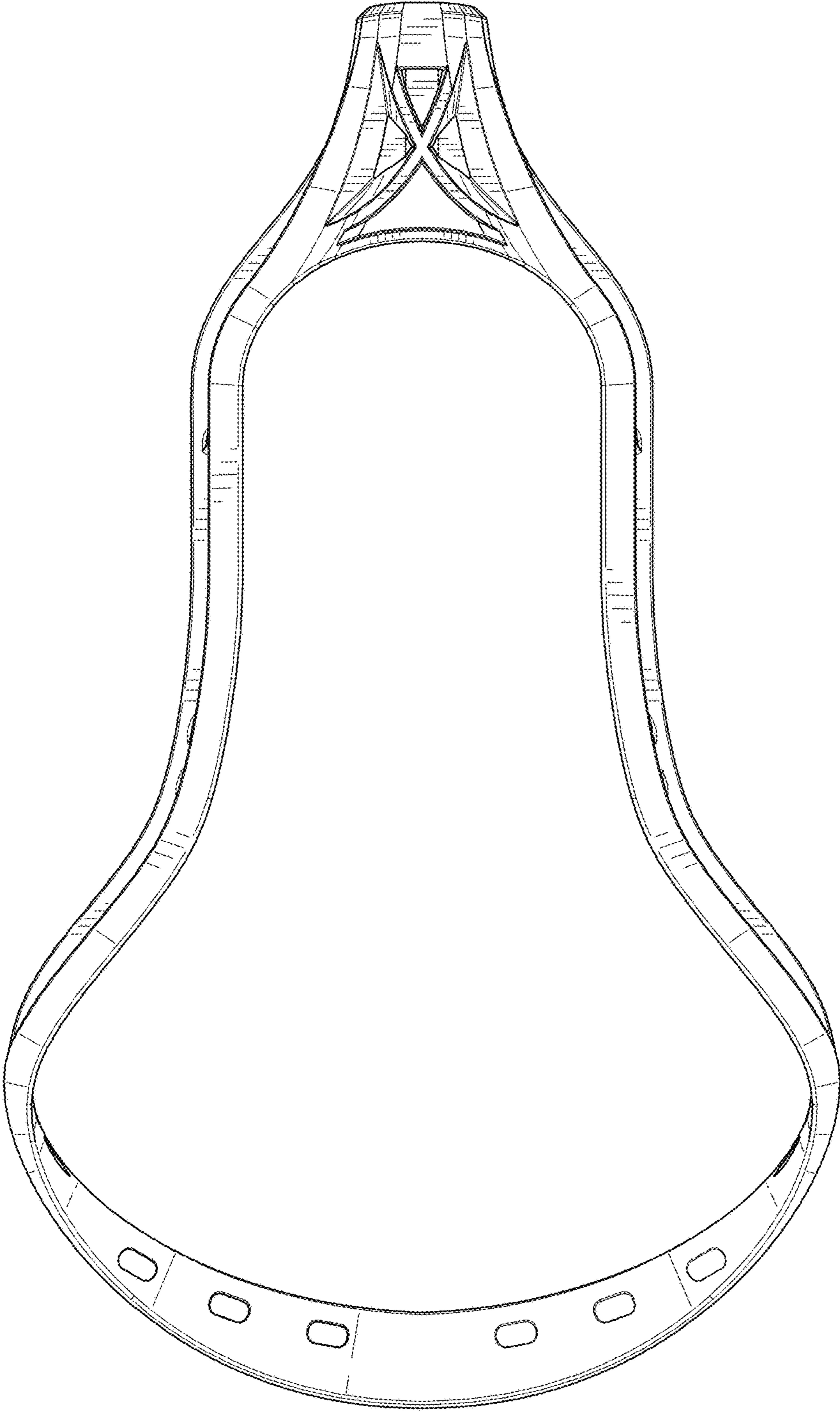


FIG. 7

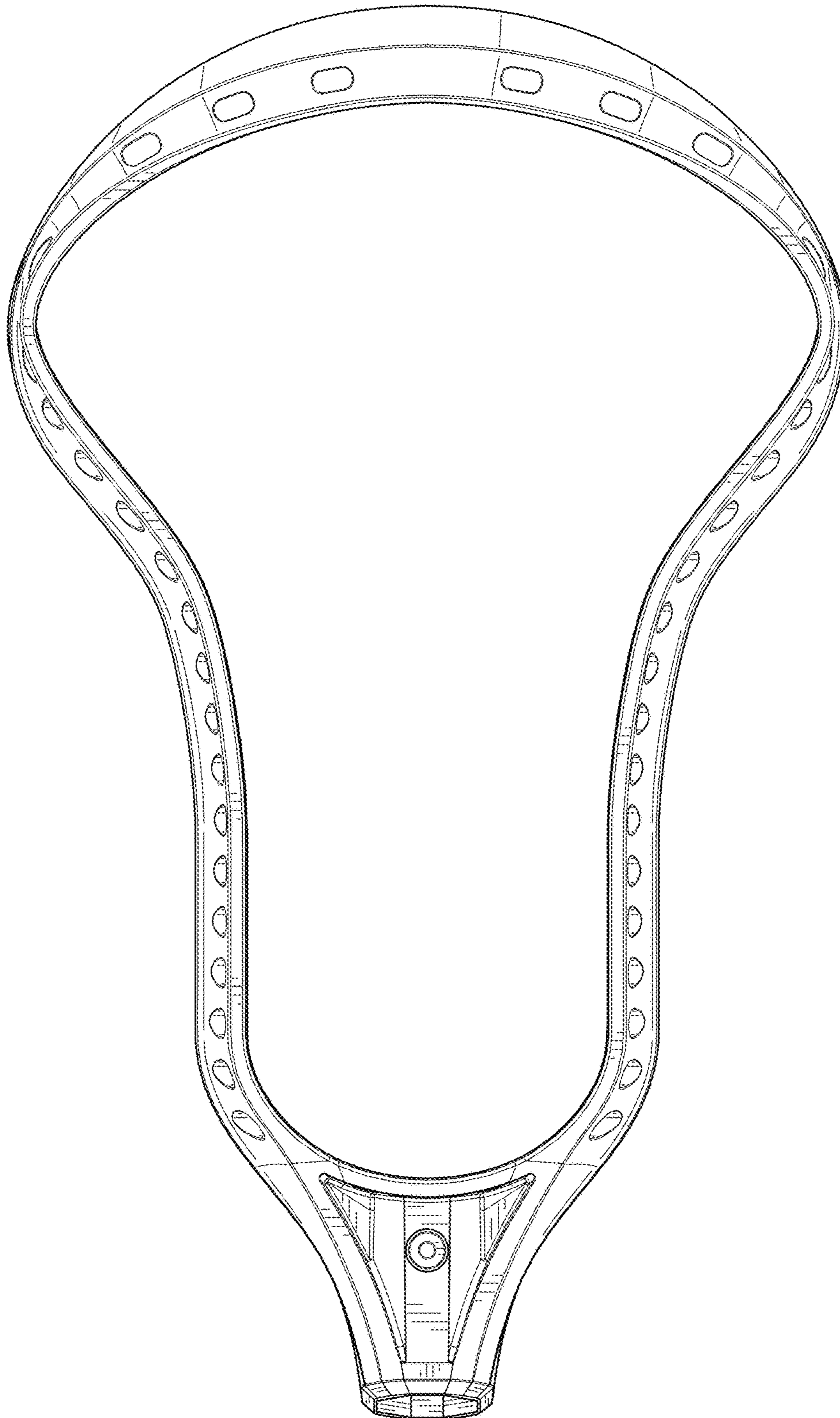


FIG. 8