



US00D798400S

(12) **United States Design Patent** (10) **Patent No.:** **US D798,400 S**
Klanow et al. (45) **Date of Patent:** **** Sep. 26, 2017**

(54) **REBOUND DEVICE TO FACILITATE HOCKEY TRAINING**

(71) Applicant: **Give-N-Go Hockey**, Northville, MI (US)

(72) Inventors: **Brian Klanow**, Holly, MI (US); **James P. Marinoff**, Northville, MI (US)

(73) Assignee: **GIVE-N-GO HOCKEY**, Northville, MI (US)

(**) Term: **15 Years**

(21) Appl. No.: **29/536,560**

(22) Filed: **Aug. 18, 2015**

(51) **LOC (10) Cl.** **21-02**

(52) **U.S. Cl.**
USPC **D21/698**

(58) **Field of Classification Search**
USPC D21/698, 699, 706, 722, 727, 761, 771, D21/682, 686; D8/14, 29.2, 45, 90, 94; D4/119, 120, 129, 137, 138, 199; D32/35, 40, 42, 52; D28/59; 473/435, 473/446, 461, 462, 476
CPC . A63B 69/00; A63B 69/0024; A63B 69/0026; A63B 69/0097; A63B 2102/24; A63B 63/003
See application file for complete search history.

(56) **References Cited**

U.S. PATENT DOCUMENTS

- 4,351,525 A * 9/1982 Rozenblad A63B 23/12 482/141
- 4,417,728 A * 11/1983 Hay A63B 63/00 273/342
- 4,886,274 A 12/1989 Park
- 5,161,799 A * 11/1992 Nandra A63B 69/0091 473/194

- 5,249,797 A * 10/1993 Dowhy A63B 24/0021 473/155
 - 5,362,045 A * 11/1994 Hammett A63B 69/0097 273/127 C
 - 5,531,449 A * 7/1996 Denton A63B 69/0097 273/348
 - 5,580,048 A * 12/1996 Mullen A63B 69/0024 273/396
 - 6,248,022 B1 6/2001 Steyn
 - 6,328,664 B1 * 12/2001 Hammett A63B 69/0026 473/422
 - D513,774 S * 1/2006 Nudo D21/698
 - D533,247 S * 12/2006 Weeks D21/698
 - 7,534,176 B1 * 5/2009 McNary A63B 69/0026 273/400
 - D674,032 S * 1/2013 Howard, II D21/698
- (Continued)

FOREIGN PATENT DOCUMENTS

- FR 2738750 A1 3/1997
- GB 2533780 A 7/2016

Primary Examiner — Catherine Tuttle

(74) Attorney, Agent, or Firm — Carlson, Gaskey & Olds

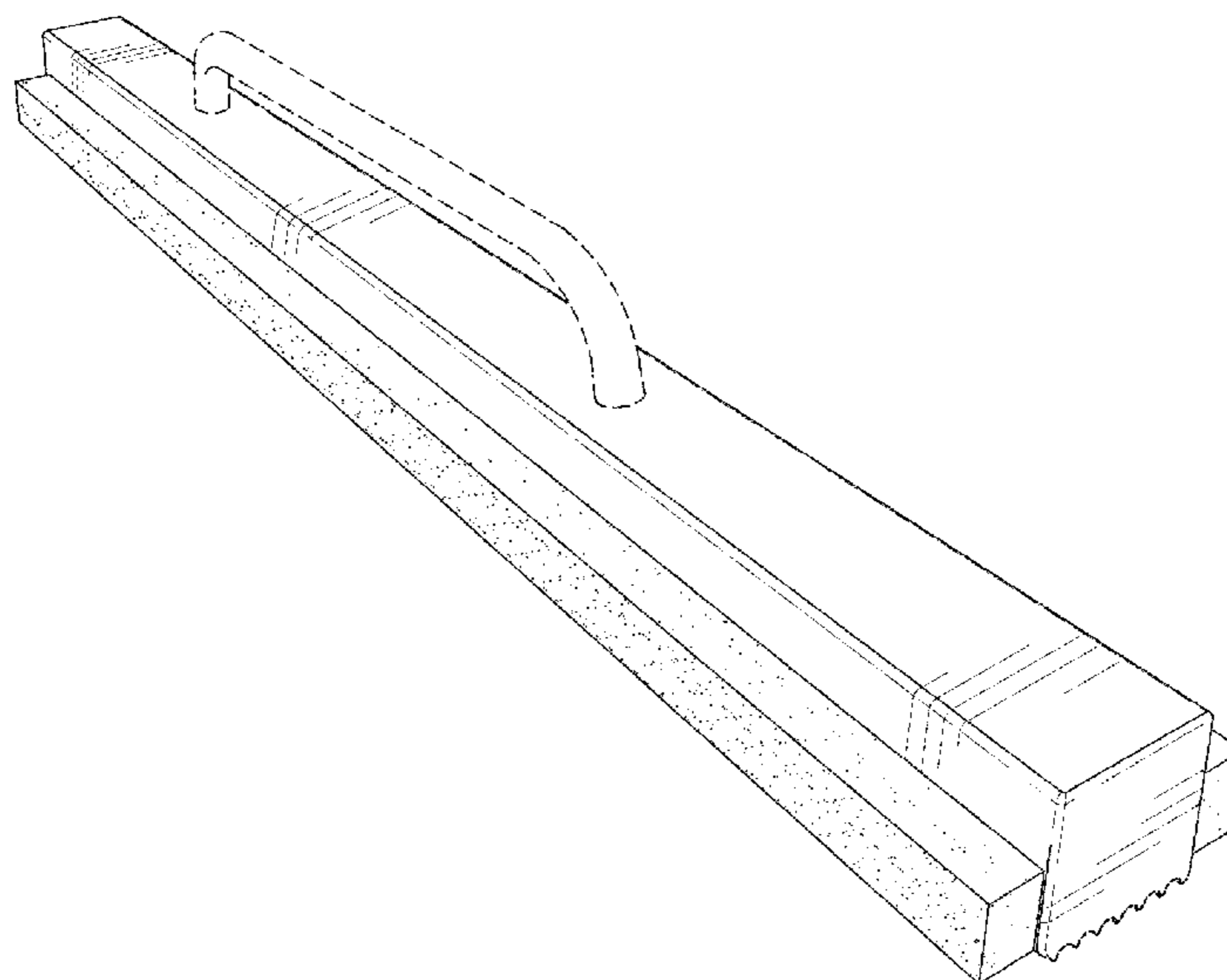
(57) **CLAIM**

We claim the ornamental design of a rebound device to facilitate hockey training, as shown and described.

DESCRIPTION

FIG. 1 is a perspective view of a rebound device to facilitate hockey training showing our new design;
 FIG. 2 is a side view thereof, the opposing side view being the same;
 FIG. 3 is a top view thereof;
 FIG. 4 is a bottom view thereof; and,
 FIG. 5 is an end view thereof, the opposing end view being the same.
 The broken lines are included for the purpose of illustrating features of the rebound device that form no part of the claimed design.

1 Claim, 2 Drawing Sheets



(56)

References Cited

U.S. PATENT DOCUMENTS

8,357,061 B2 * 1/2013 Quinn A63B 5/22
473/422
8,469,841 B1 * 6/2013 Giauque A63B 69/0026
473/164
2002/0151386 A1 * 10/2002 Williams A63B 69/0026
473/446
2004/0142775 A1 * 7/2004 Nudo A63B 47/002
473/446
2005/0192125 A1 * 9/2005 Valliquette A63B 63/00
473/446
2006/0063615 A1 * 3/2006 Richardson A63B 69/0026
473/446
2006/0142099 A1 * 6/2006 Trucks A63B 69/0002
473/452
2010/0022333 A1 1/2010 Gaudin et al.
2012/0157242 A1 * 6/2012 Quinn A63B 69/0026
473/422
2013/0344996 A1 12/2013 Adema
2015/0297967 A1 * 10/2015 Simon A63B 69/0026
473/446
2016/0045803 A1 * 2/2016 Klanow A63B 69/0097
473/435

* cited by examiner

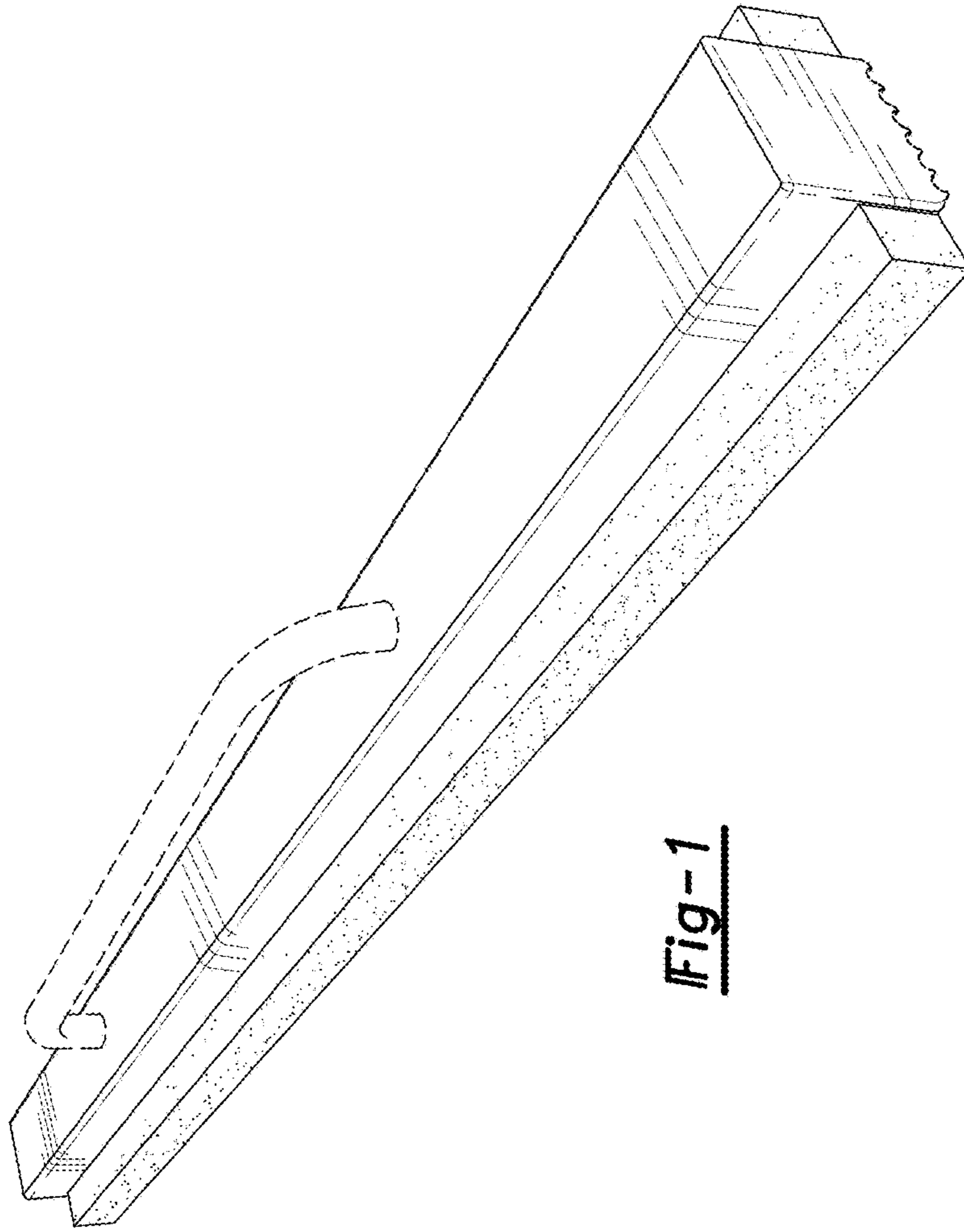


Fig-1

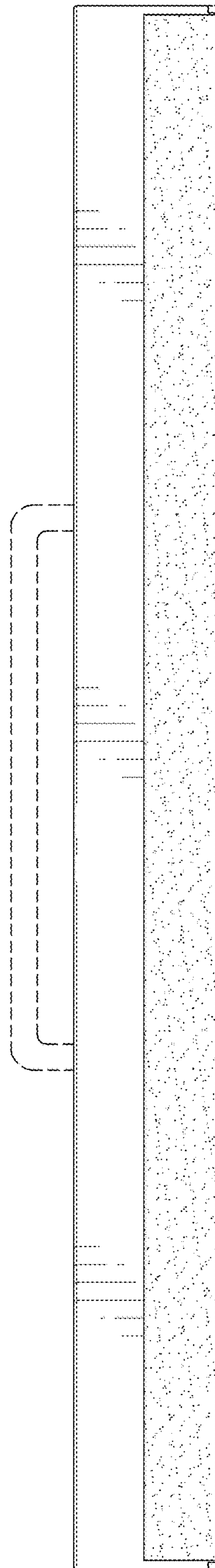


Fig-2

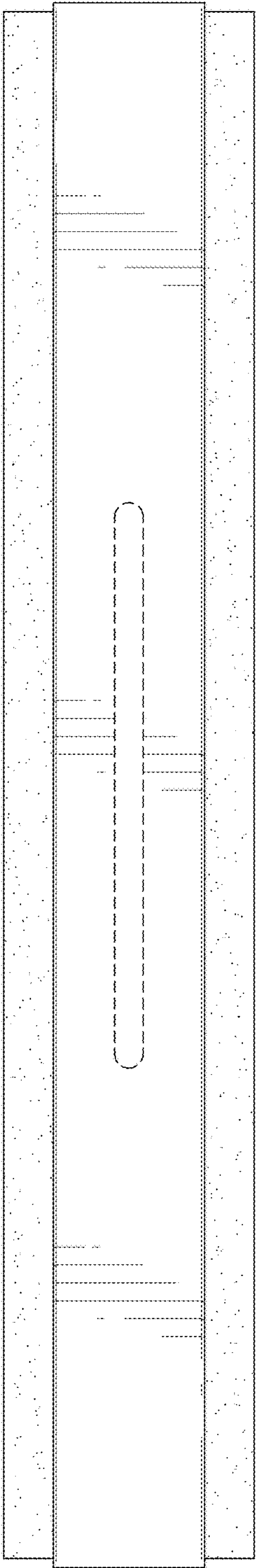


Fig-3

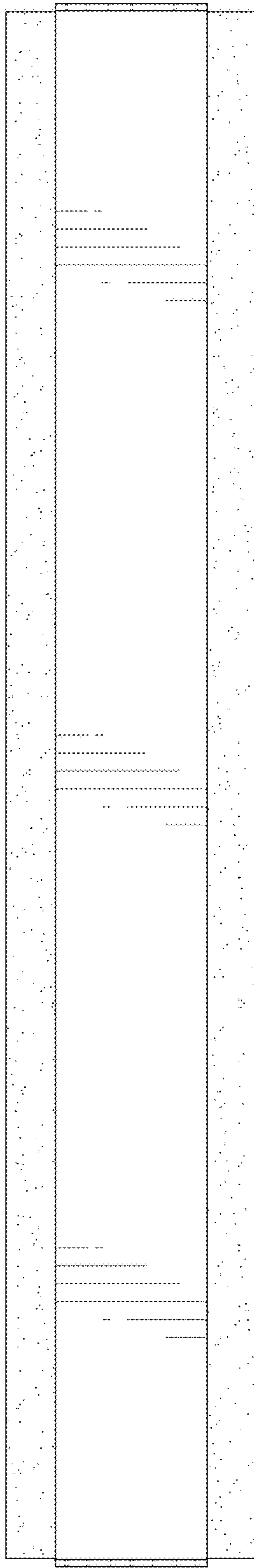


Fig-4

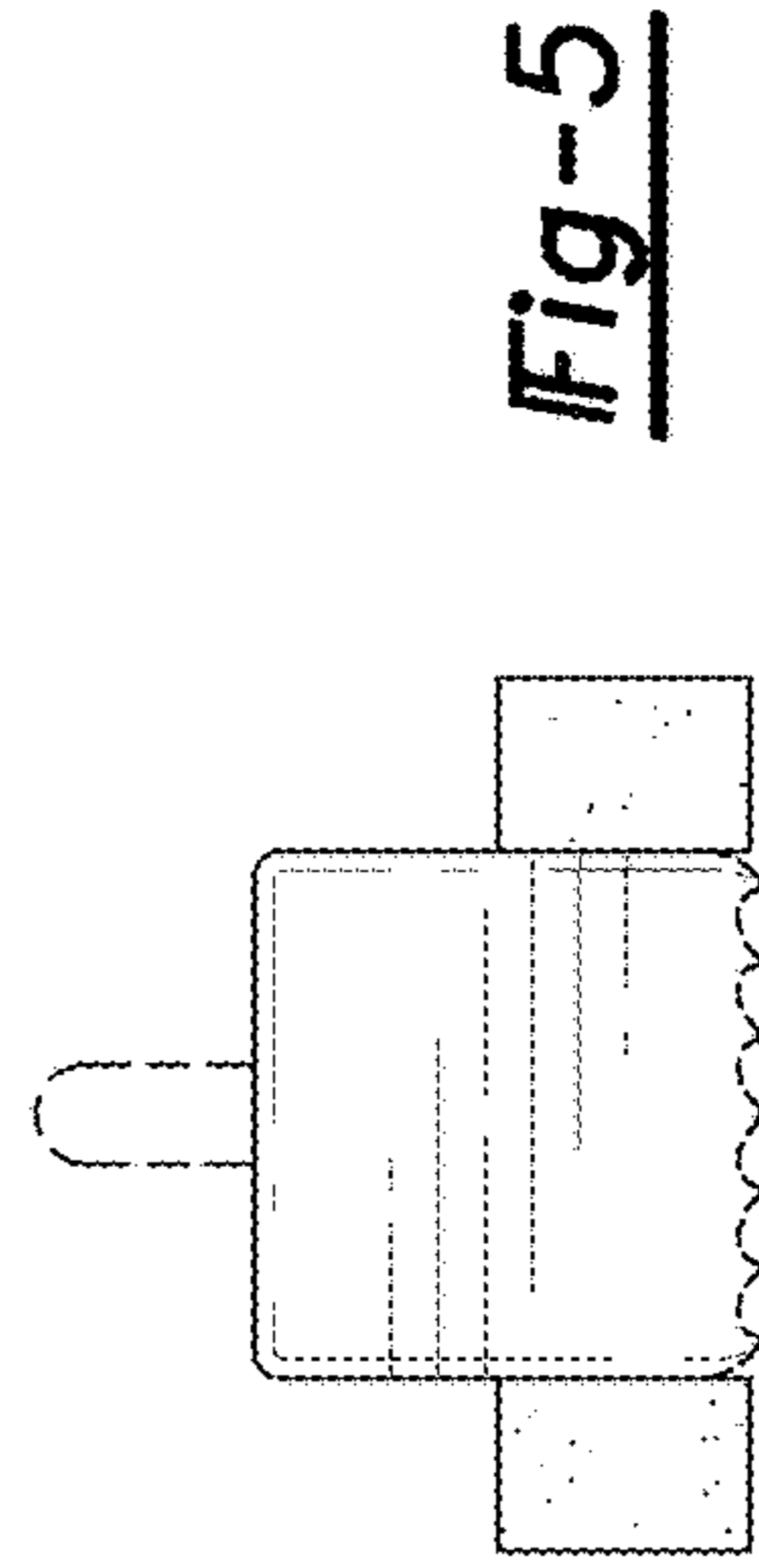


Fig-5