



US00D798398S

(12) **United States Design Patent** (10) **Patent No.:** **US D798,398 S**
Horita et al. (45) **Date of Patent:** **** Sep. 26, 2017**

- (54) **HANDLE BAR OF AN EXERCISE DEVICE**
- (71) Applicant: **Precor Incorporated**, Woodinville, WA (US)
- (72) Inventors: **Sean K. Horita**, Woodinville, WA (US); **Daniel Davidson**, Mill Creek, WA (US); **Elijah E. Hooper**, Seattle, WA (US)
- (73) Assignee: **Precor Incorporated**, Woodinville, WA (US)
- (**) Term: **15 Years**
- (21) Appl. No.: **29/581,968**
- (22) Filed: **Oct. 24, 2016**
- (51) **LOC (10) Cl.** **21-02**
- (52) **U.S. Cl.**
USPC **D21/694**
- (58) **Field of Classification Search**
USPC 482/51-52, 54, 57, 66, 68, 70, 72;
74/551.2; D12/107, 114, 116, 178;
D21/662, 663, 665-671, 673, 685, 694,
D21/696-697; D8/300, 303, 306, 307,
D8/308, 311, 313, 315, 321
CPC A63B 21/4035; A63B 23/03525; A63B
23/12
See application file for complete search history.

- (56) **References Cited**
U.S. PATENT DOCUMENTS
D302,451 S 7/1989 Bull et al.
D303,695 S 9/1989 Smith et al.
D304,358 S 10/1989 Armstrong et al.
D314,597 S 2/1991 Armstrong et al.
D321,229 S 10/1991 Dalton et al.
D328,625 S 8/1992 Arthur et al.
D328,770 S 8/1992 Henderson et al.
D372,282 S 7/1996 Pasero et al.
5,685,804 A 11/1997 Whan-Tong et al.

- D388,847 S 1/1998 Whan-tong et al.
- D408,477 S 4/1999 Arnold et al.
- D410,978 S 6/1999 Littrell et al.
- D429,781 S 8/2000 Arnold et al.
- D429,783 S * 8/2000 Cray D21/679
(Continued)

OTHER PUBLICATIONS

Precor "Elliptical Fitness Crosstrainer", <https://www.precor.com/en-us/commercial/cardio/ellipticals/efx-833-elliptical-fitness-crosstrainer>. Jul. 27, 2017. shown in p. 1, Item # EFX 833.*

Primary Examiner — Cynthia Ramirez
Assistant Examiner — Michael Maharajh
(74) *Attorney, Agent, or Firm* — Terence P. O'Brien

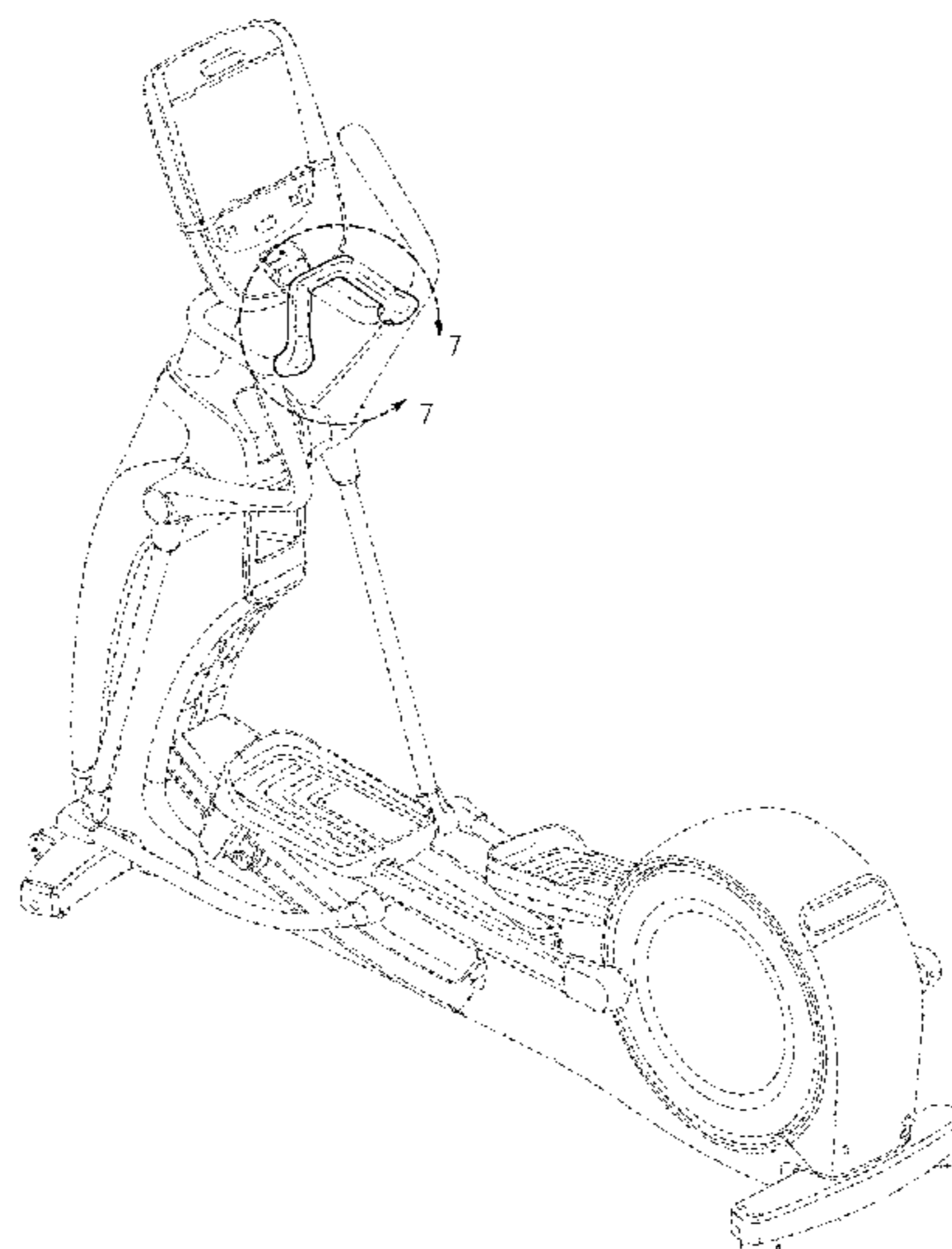
(57) **CLAIM**

We claim the ornamental design for a handle bar of an exercise device, as shown and described.

DESCRIPTION

FIG. 1 a side, top perspective view of a handle bar of an exercise device;
FIG. 2 is a first side view of the handle bar of the exercise device of FIG. 1;
FIG. 3 is a second side view of the handle bar of the exercise device of FIG. 1;
FIG. 4 is a rear view of the handle bar of the exercise device of FIG. 1.
FIG. 5 is a front view of the handle bar of the exercise device of FIG. 1.
FIG. 6 is a top view of the handle bar of the exercise device of FIG. 1; and,
FIG. 7 is a close-up perspective view of the handle bar of the exercise device of FIG. 1.
The ornamental design that is claimed is shown in solid lines in the drawings. The evenly spaced broken lines shown in the figures are for the purpose of showing environment and form no part of the claimed design.

1 Claim, 5 Drawing Sheets



(56)

References Cited

U.S. PATENT DOCUMENTS

6,123,650 A 9/2000 Birrell
 6,146,313 A 11/2000 Whan-tong et al.
 6,165,107 A 12/2000 Birrell
 6,238,321 B1 5/2001 Arnold et al.
 D449,356 S 10/2001 Arnold et al.
 D464,688 S 10/2002 May et al.
 D464,689 S 10/2002 May et al.
 D465,000 S 10/2002 Arnold et al.
 6,482,130 B1 11/2002 Pasero et al.
 D473,273 S * 4/2003 Crawford D12/178
 6,749,540 B1 6/2004 Pasero et al.
 6,752,744 B2 6/2004 Arnold et al.
 6,939,271 B1 9/2005 Whan-tong et al.
 D542,197 S * 5/2007 Carlini D12/178
 D559,925 S 1/2008 Horita
 D567,313 S 4/2008 Horita
 D567,314 S 4/2008 Horita
 D567,315 S 4/2008 Hortia
 D575,363 S 8/2008 Horita
 D575,837 S 8/2008 Horita

D594,072 S 6/2009 Horita
 D600,293 S 9/2009 Horita
 D604,212 S * 11/2009 Carlini D12/178
 D609,146 S * 2/2010 Carmona D12/178
 7,691,034 B2 4/2010 May et al.
 7,704,192 B2 4/2010 Dyer et al.
 7,731,634 B2 6/2010 Stewart et al.
 7,758,472 B2 7/2010 Stewart
 D634,378 S * 3/2011 Iverson D12/178
 7,922,625 B2 4/2011 Grind
 D664,079 S * 7/2012 Lujan D12/178
 8,419,598 B2 4/2013 Dyer et al.
 D682,756 S * 5/2013 LaPorte D12/178
 D687,911 S 8/2013 Hortia
 D690,375 S 9/2013 Horita
 D690,784 S 10/2013 Horita
 8,556,779 B2 10/2013 Grind
 D703,278 S 4/2014 Hortia
 D752,163 S * 3/2016 Eder D21/694
 D758,510 S * 6/2016 Hsieh D21/694
 9,468,795 B2 10/2016 Arnold et al.
 D792,533 S * 7/2017 Flick D21/694

* cited by examiner

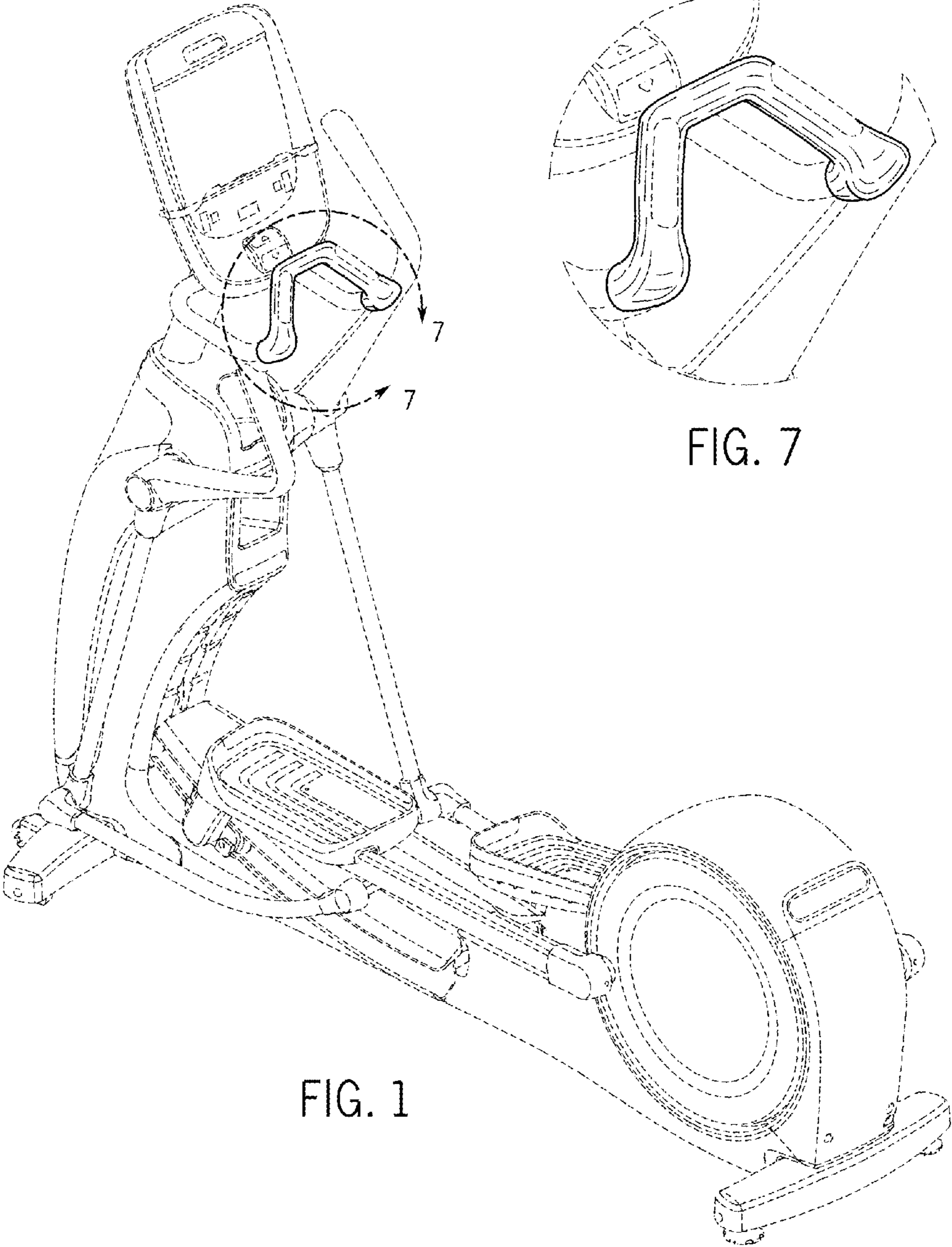


FIG. 1

FIG. 7

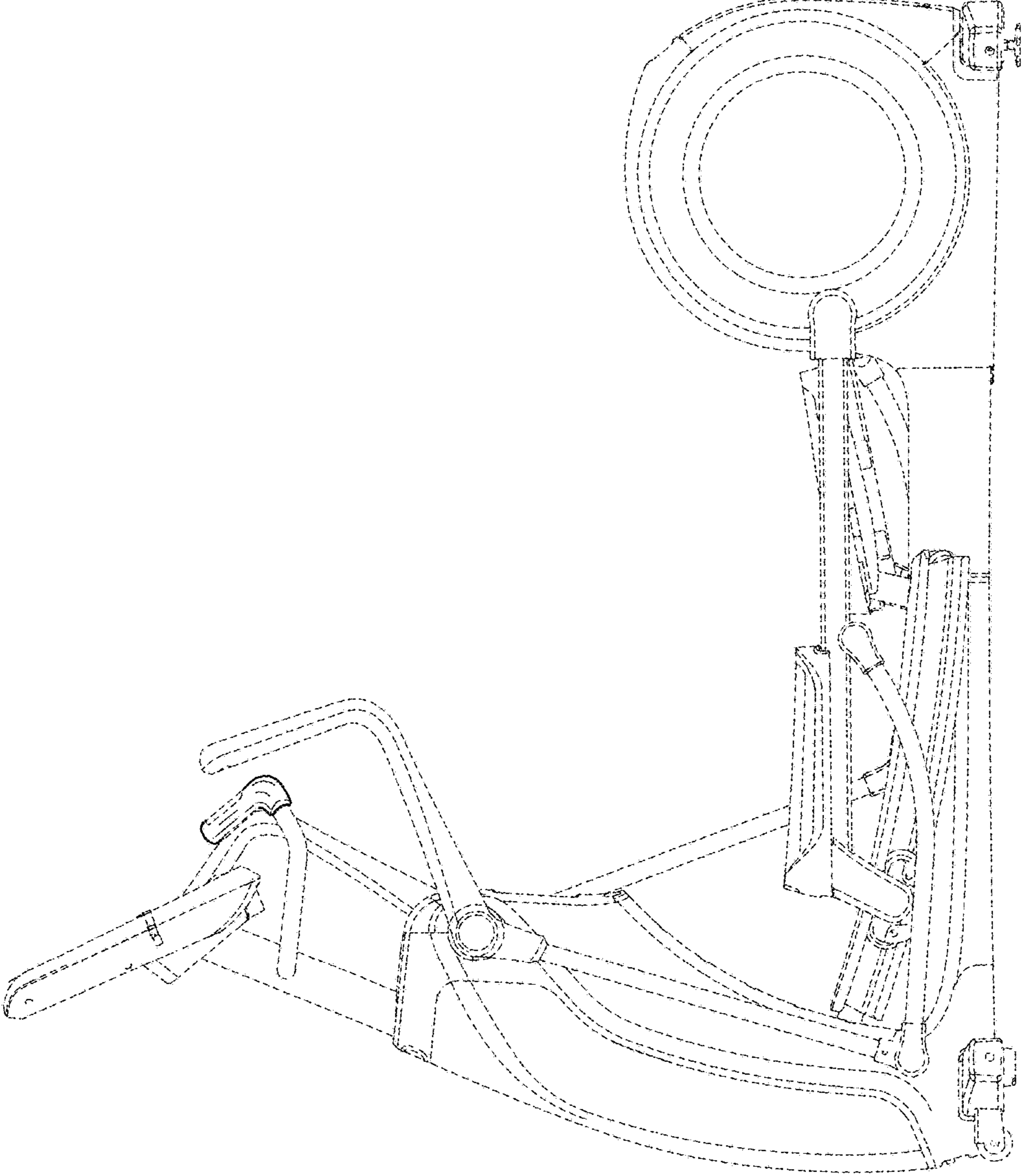
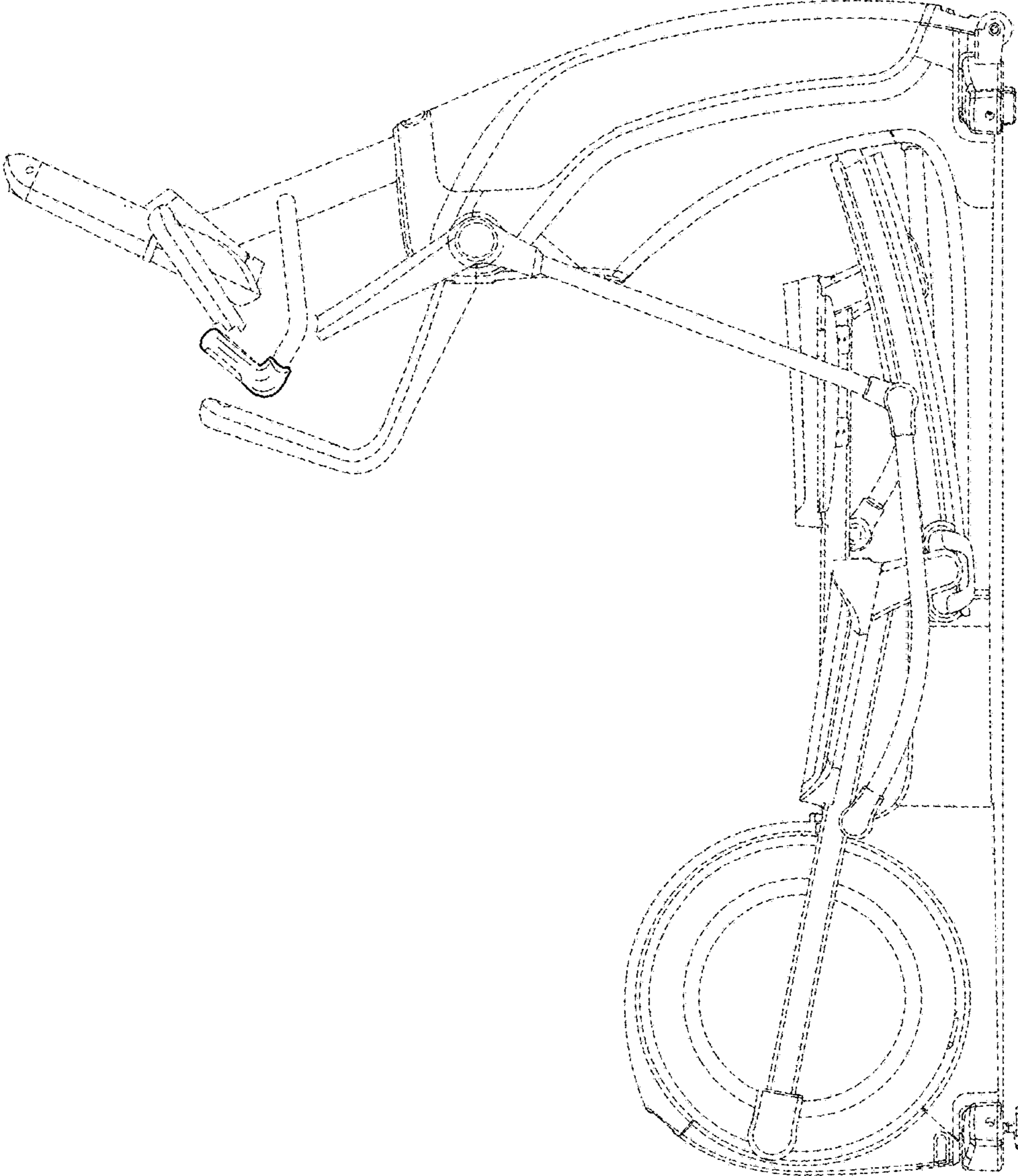


FIG. 2

FIG. 3



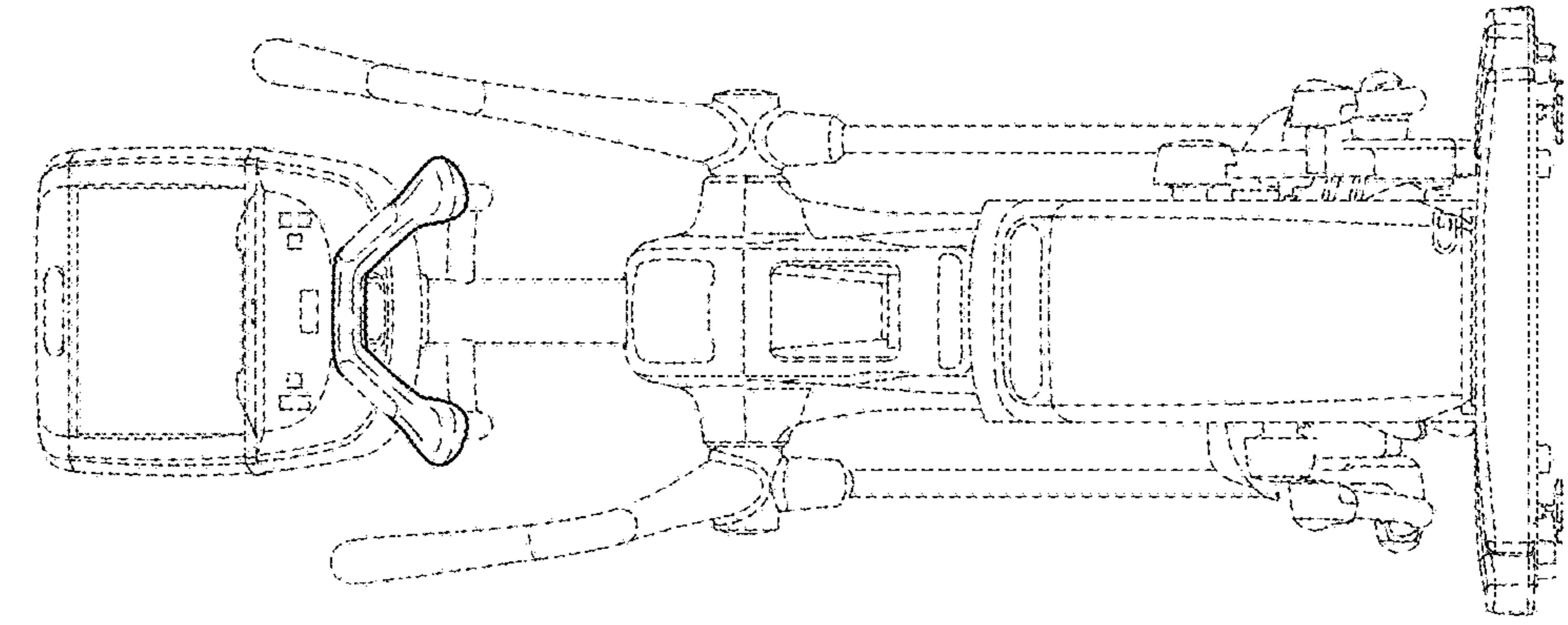


FIG. 5

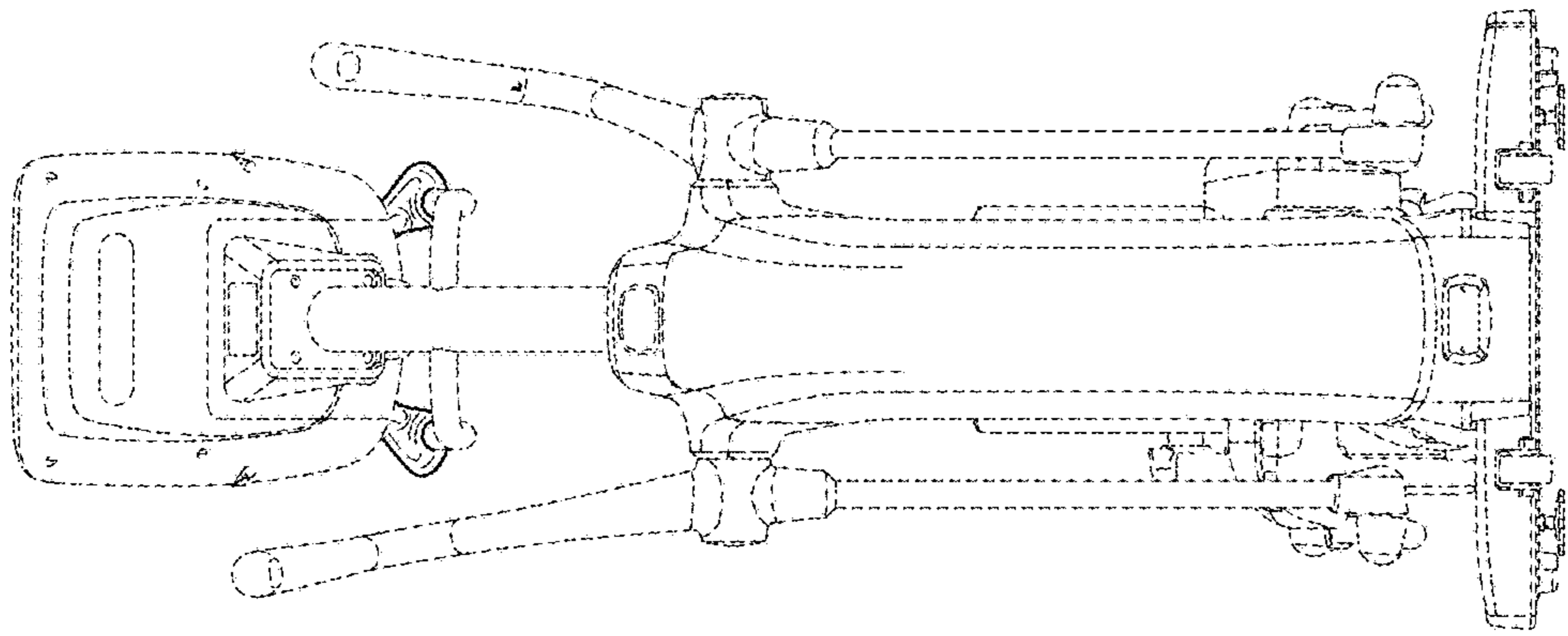


FIG. 4

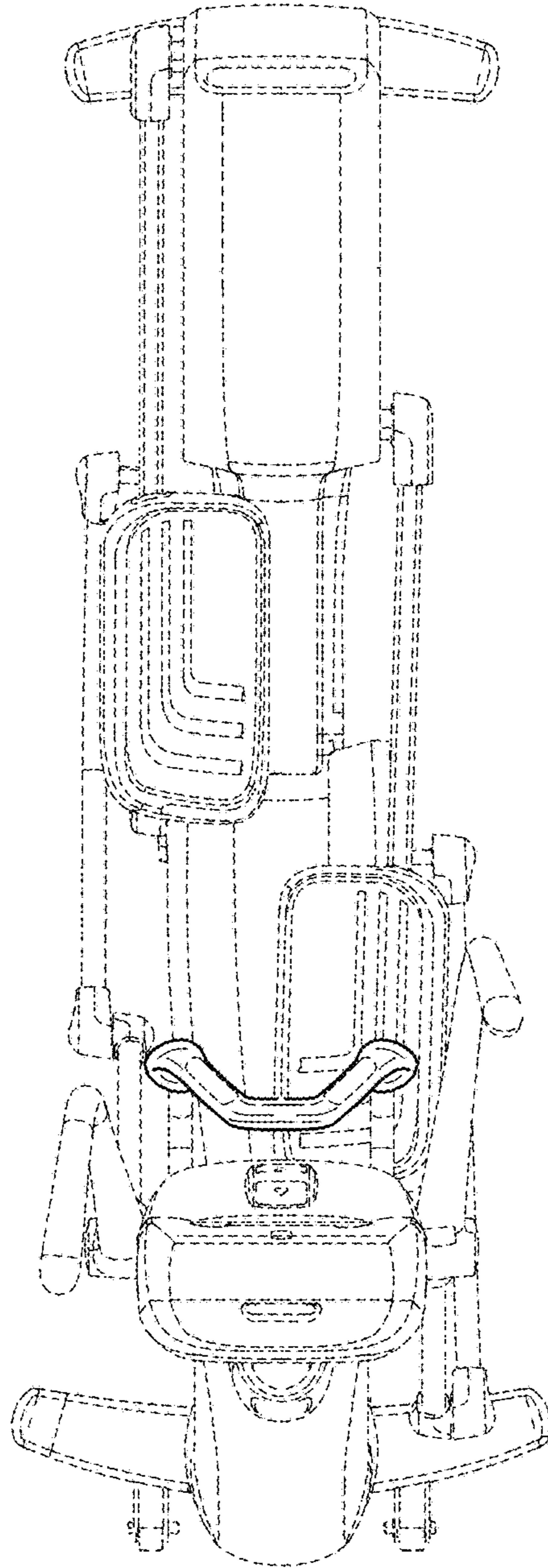


FIG. 6