



US00D798389S

(12) **United States Design Patent** (10) **Patent No.:** **US D798,389 S**  
**Weiss et al.** (45) **Date of Patent:** **\*\* Sep. 26, 2017**

- (54) **TOP BOX FOR A GAMING MACHINE**
- (71) Applicant: **AGS, LLC**, Las Vegas, NV (US)
- (72) Inventors: **Steven A. Weiss**, Las Vegas, NV (US);  
**Tawana Dete**, Las Vegas, NV (US);  
**Ryan Hansen**, Las Vegas, NV (US)
- (73) Assignee: **AGS LLC**, Las Vegas, NV (US)
- (\*\*) Term: **15 Years**
- (21) Appl. No.: **29/547,676**
- (22) Filed: **Dec. 7, 2015**

D487,582 S *	3/2004	McGahn	.....	D21/369
D510,752 S *	10/2005	Baerlocher	.....	D21/370
D519,571 S *	4/2006	Myers	.....	D21/369
D521,077 S *	5/2006	Myers	.....	D21/369
D523,908 S *	6/2006	Hedrick	.....	D21/370
D529,965 S *	10/2006	Hedrick	.....	D21/370
D568,115 S	5/2008	Trogerman		
D591,360 S *	4/2009	Fiore	.....	D21/370
D624,604 S *	9/2010	Wudtke	.....	D21/370
8,382,110 B2	2/2013	Smith		
D745,093 S	12/2015	Weiss et al.		

\* cited by examiner

*Primary Examiner* — Sandra Morris  
(74) *Attorney, Agent, or Firm* — Weide & Miller, Ltd.

**Related U.S. Application Data**

- (62) Division of application No. 29/503,584, filed on Sep. 26, 2014, now Pat. No. Des. 745,093.
- (51) **LOC (10) Cl.** ..... **21-03**
- (52) **U.S. Cl.**  
USPC ..... **D21/370**; D21/385
- (58) **Field of Classification Search**  
USPC ..... D21/325, 329, 331, 354, 369–375;  
D14/302, 304–307; 273/156, 268, 274;  
463/17, 20, 46–47  
CPC .. G07F 17/32; G07F 17/3211; G07F 17/3216;  
G07F 17/332; G07F 17/3272–17/3283  
See application file for complete search history.

**References Cited**

**U.S. PATENT DOCUMENTS**

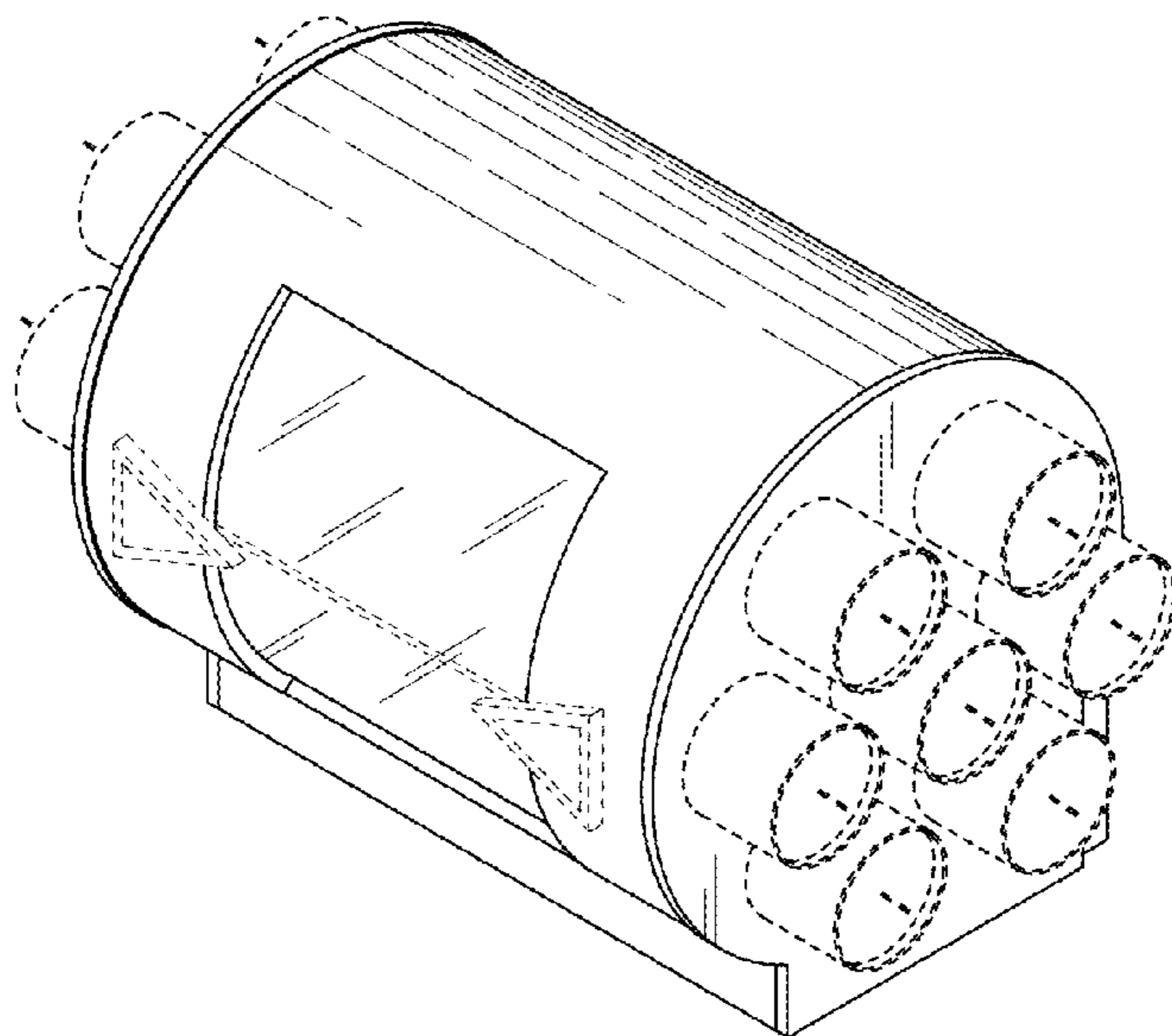
4,699,382 A *	10/1987	Kabana	.....	A63F 7/048	273/144 B
D421,631 S	3/2000	Tsuda			
D455,792 S	4/2002	Isetani et al.			
D460,123 S	7/2002	Seelig et al.			
D470,895 S	2/2003	Cole			

(57) **CLAIM**  
The ornamental design for a top box for a gaming machine, as shown and described.

**DESCRIPTION**

FIG. 1 is a front isometric view of a top box for a gaming machine in accordance with a first embodiment of the present invention;  
 FIG. 2 is a plan view of the top of the top box for a gaming machine illustrated in FIG. 1;  
 FIG. 3 is a plan view of the front of the top box for a gaming machine illustrated in FIG. 1;  
 FIG. 4 is a plan view of the first side of the top box for a gaming machine illustrated in FIG. 1;  
 FIG. 5 is a plan view of the second side of the top box for a gaming machine illustrated in FIG. 1;  
 FIG. 6 is a plan view of the back of the top box for a gaming machine illustrated in FIG. 1; and,  
 FIG. 7 is a plan view of the bottom of the top box for a gaming machine illustrated in FIG. 1.  
 The portions of the design shown in dotted line are for reference only and form no portion of the claimed design.

**1 Claim, 2 Drawing Sheets**



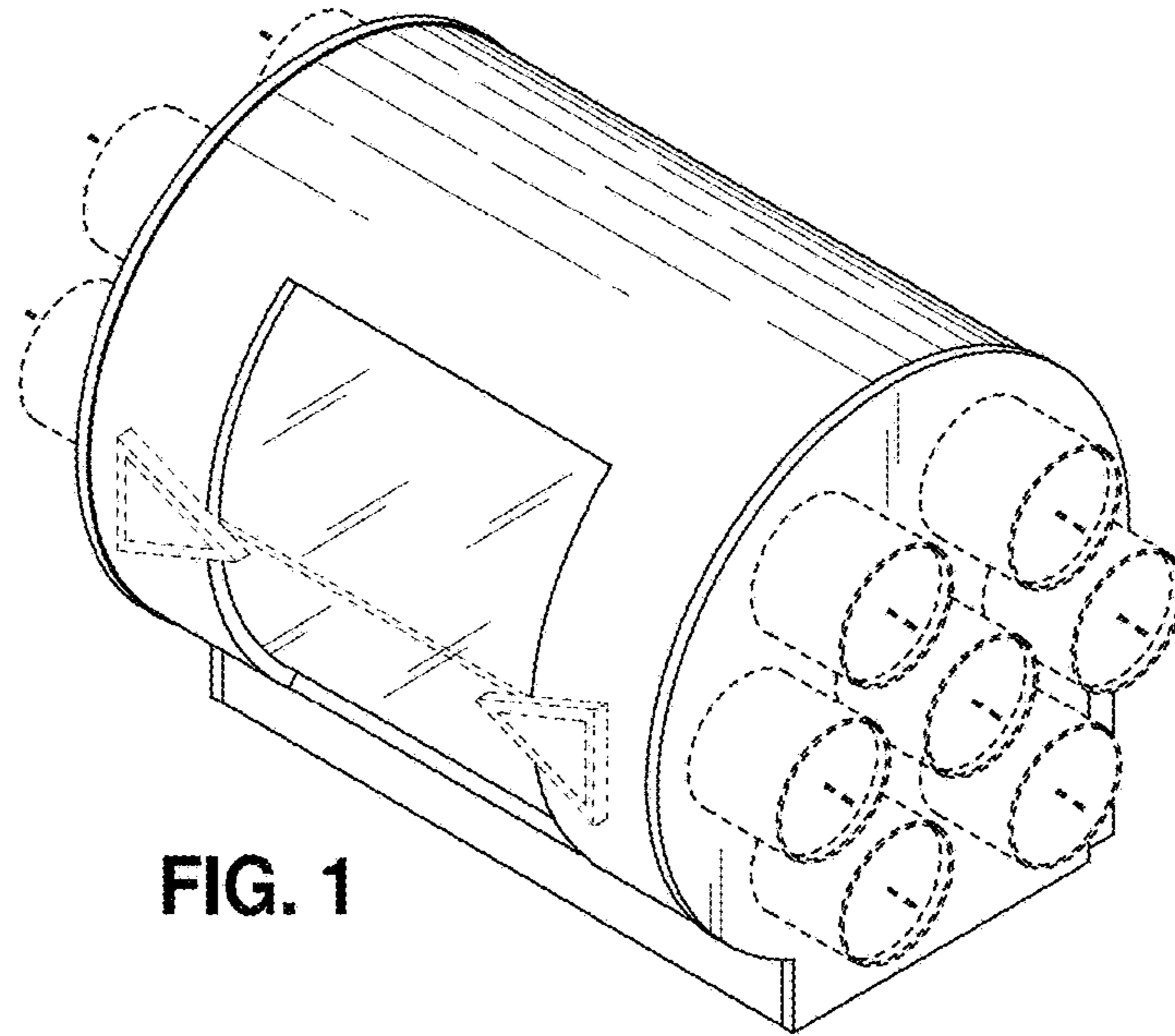


FIG. 1

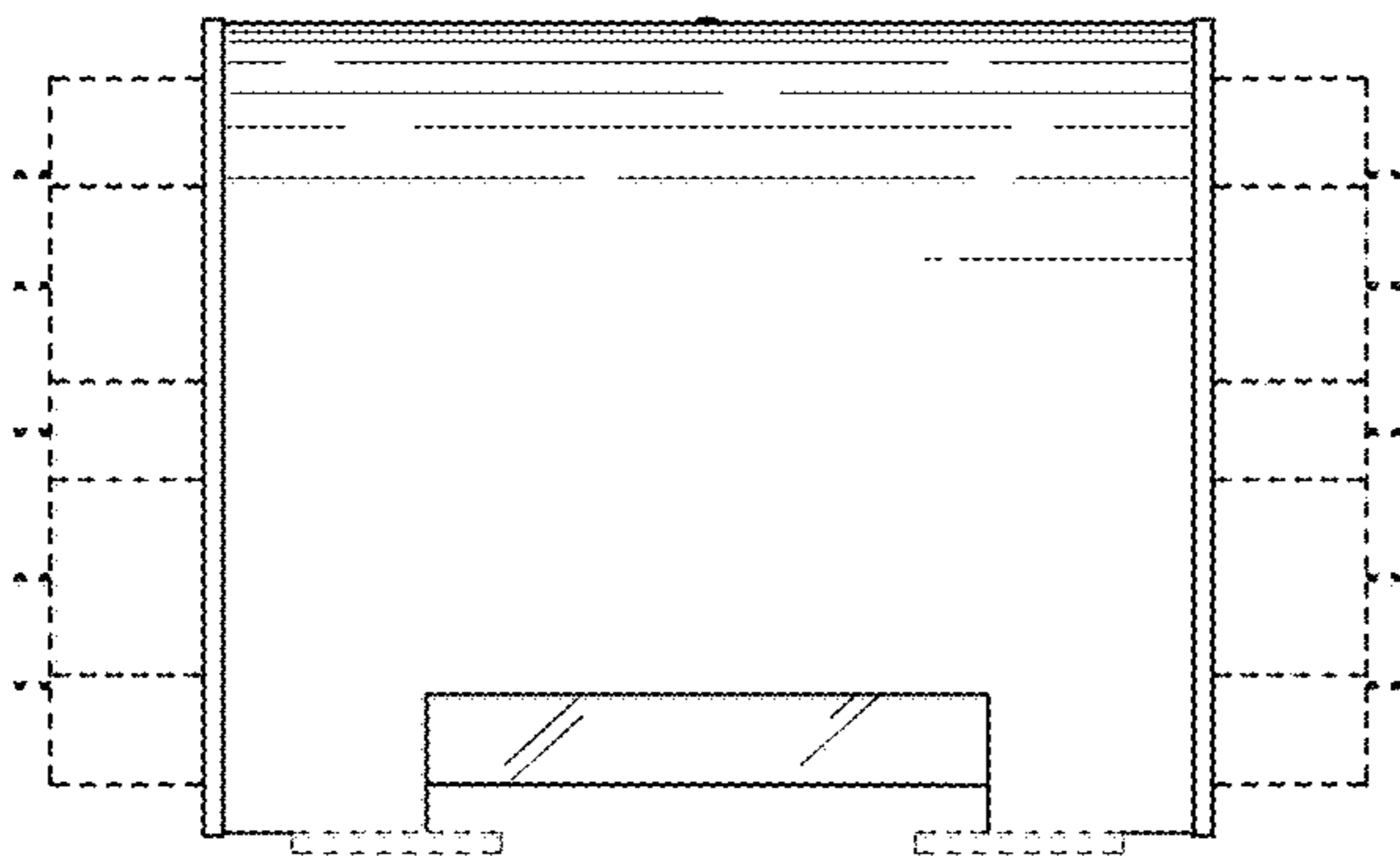


FIG. 2

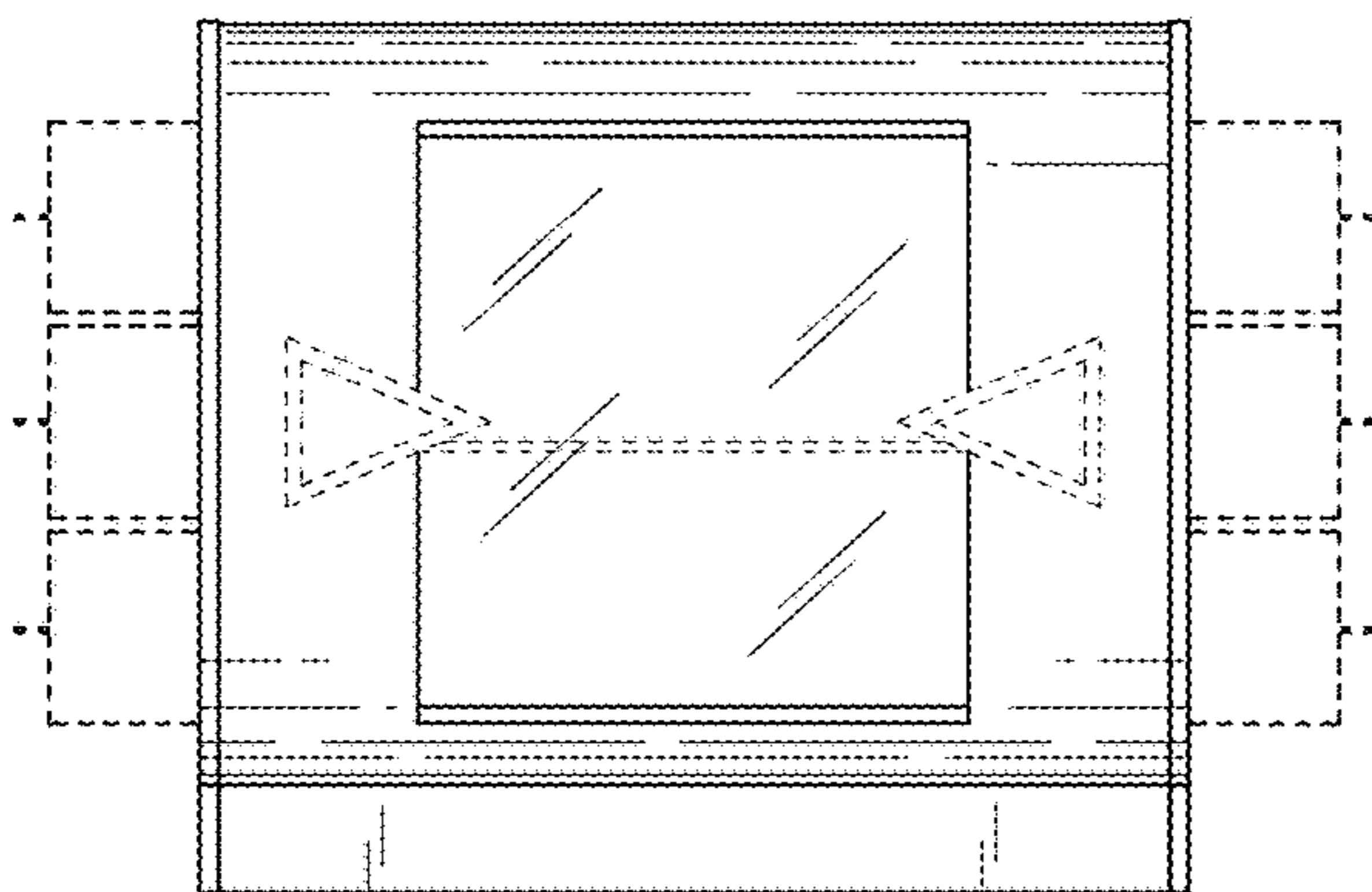


FIG. 3

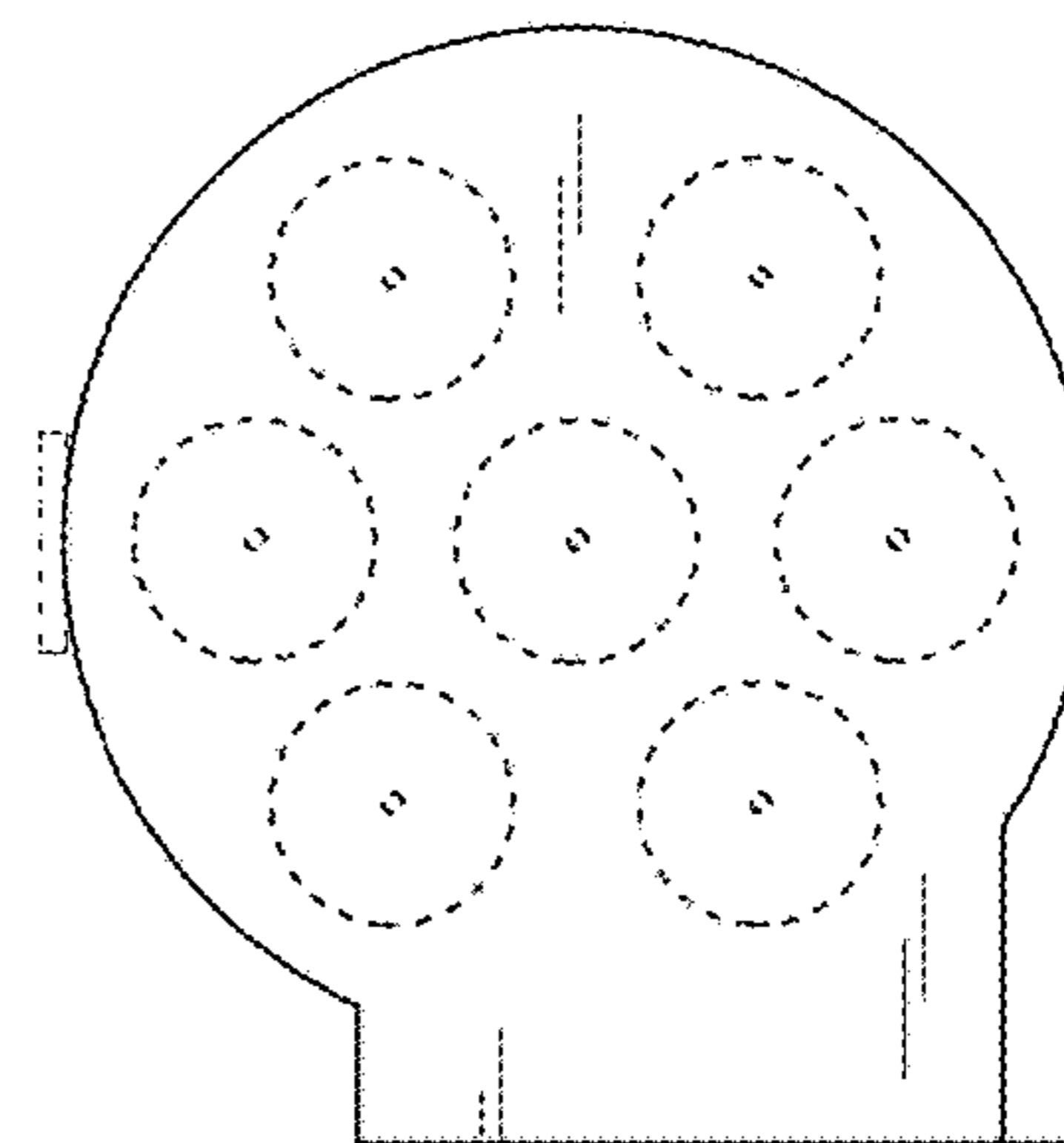


FIG. 4

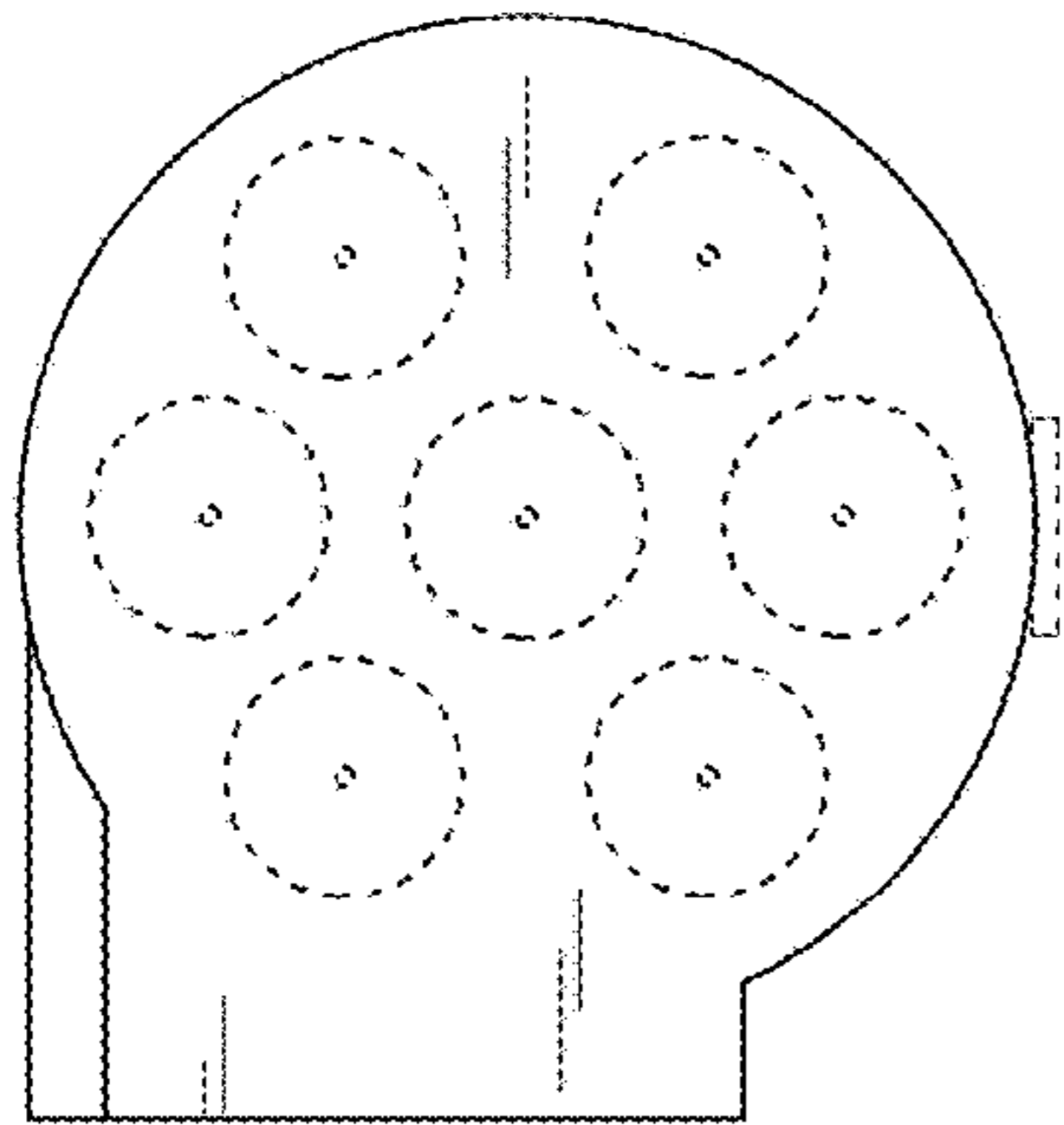


FIG. 5

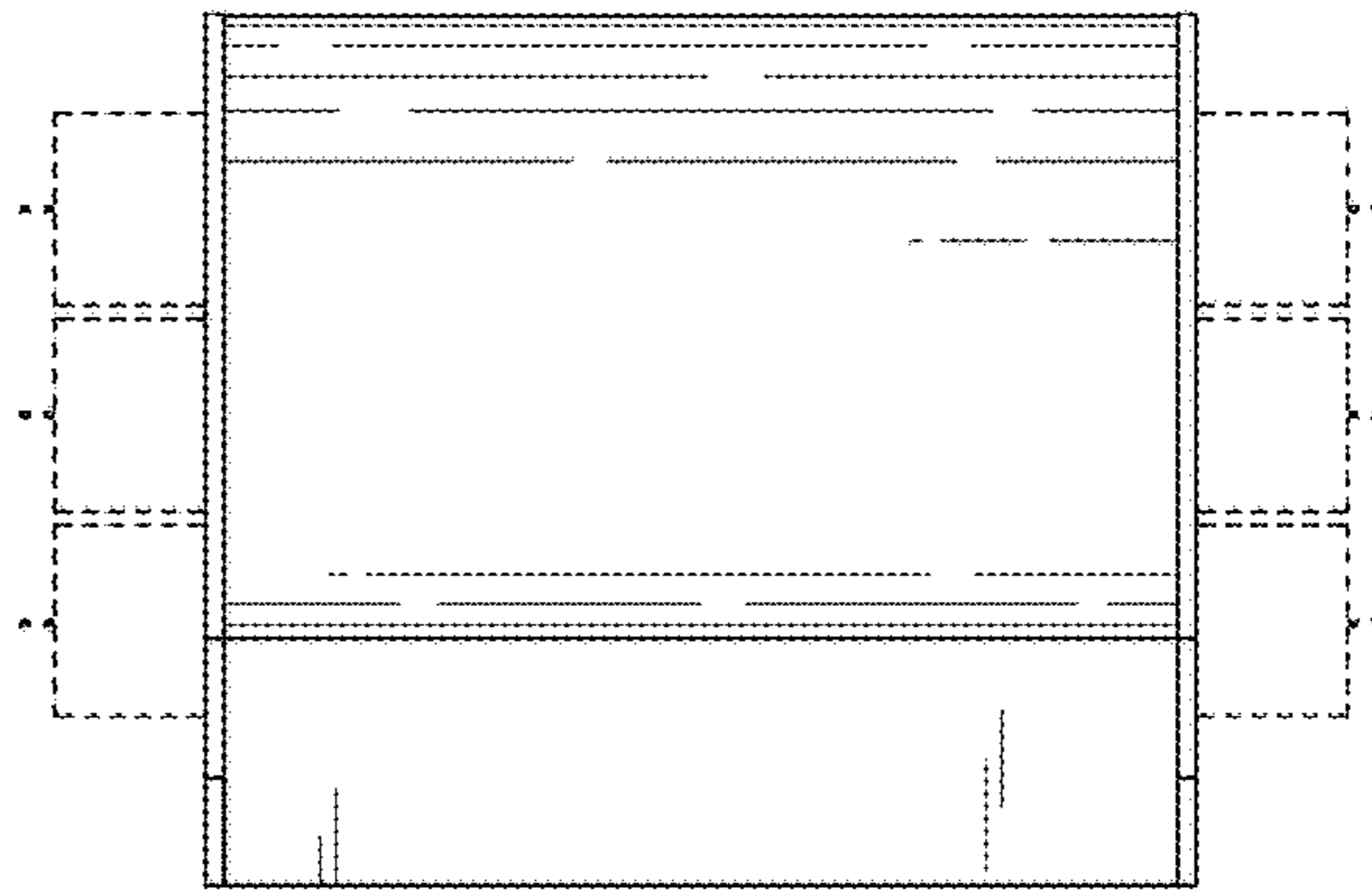


FIG. 6

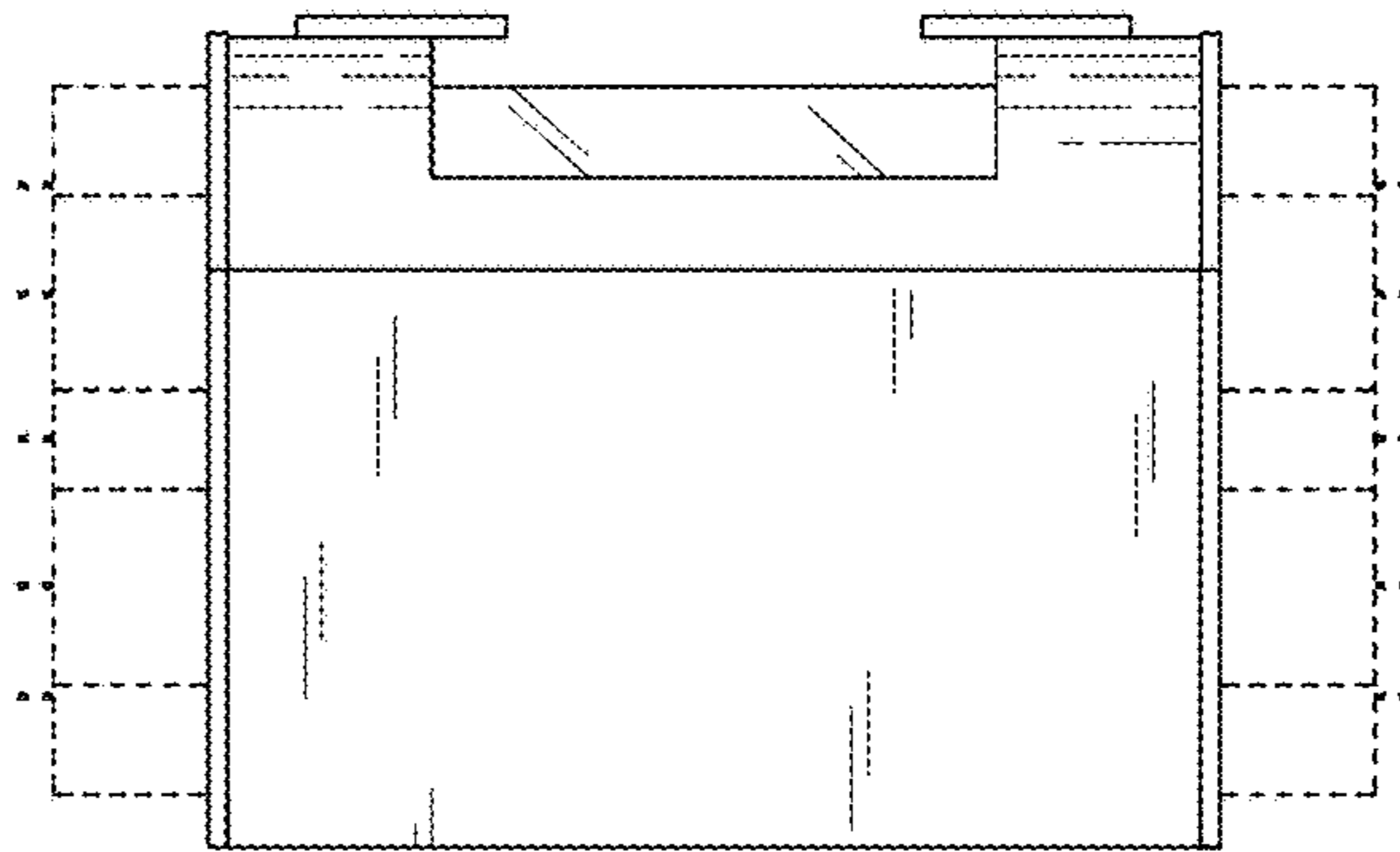


FIG. 7