



US00D798384S

(12) **United States Design Patent** (10) **Patent No.:** **US D798,384 S**  
**Ford et al.** (45) **Date of Patent:** **\*\* Sep. 26, 2017**

(54) **FINANCIAL TRANSACTION CARD**

(71) Applicant: **HOME DEPOT PRODUCT AUTHORITY, LLC**, Atlanta, GA (US)

(72) Inventors: **Jennifer A Ford**, Marietta, GA (US);  
**Ryan M. Paladino**, Atlanta, GA (US)

(73) Assignee: **Home Depot Product Authority, LLC**, Atlanta, GA (US)

(\*\*) Term: **15 Years**

(21) Appl. No.: **29/548,326**

(22) Filed: **Dec. 11, 2015**

(51) **LOC (10) Cl.** ..... **19-08**

(52) **U.S. Cl.**  
USPC ..... **D19/10**

(58) **Field of Classification Search**  
USPC ..... D19/1-12, 20-34, 100;  
40/124.01-124.15, 672, 661, 726, 776,  
40/617; 283/72, 74-75, 103, 105-107,  
283/82, 70, 94, 81, 904; 206/449, 815;  
D21/385; D20/10, 22, 27, 40, 42, 11;  
D14/435-437; 360/2; D6/613, 583;  
235/380, 382, 487, 493, 488  
CPC .. B42D 15/022; B42D 15/042; B42D 15/045;  
B42D 15/027; B42D 25/00; B42D 25/20;  
B42D 25/23; B42D 25/26; B42D 25/29;  
B42D 25/30; B42D 25/285; B42D  
2033/00; B42D 2033/04; B42D 2033/08;  
B42D 2033/10; B42D 2033/16; B42D  
2033/18; B42D 2033/20; B42D 2033/22;  
B42D 2033/28; B42D 2033/30

See application file for complete search history.

(56) **References Cited**

U.S. PATENT DOCUMENTS

D706,868 S *	6/2014	Ehrlich	.....	D19/10
D710,439 S *	8/2014	Canaday	.....	D19/10
D730,982 S *	6/2015	Canaday	.....	D19/9
D766,367 S *	9/2016	Canaday	.....	D19/9

\* cited by examiner

*Primary Examiner* — Abraham Bahta

(74) *Attorney, Agent, or Firm* — Greenberg Traurig, LLP

(57) **CLAIM**

The ornamental design for a financial transaction card, as shown and described.

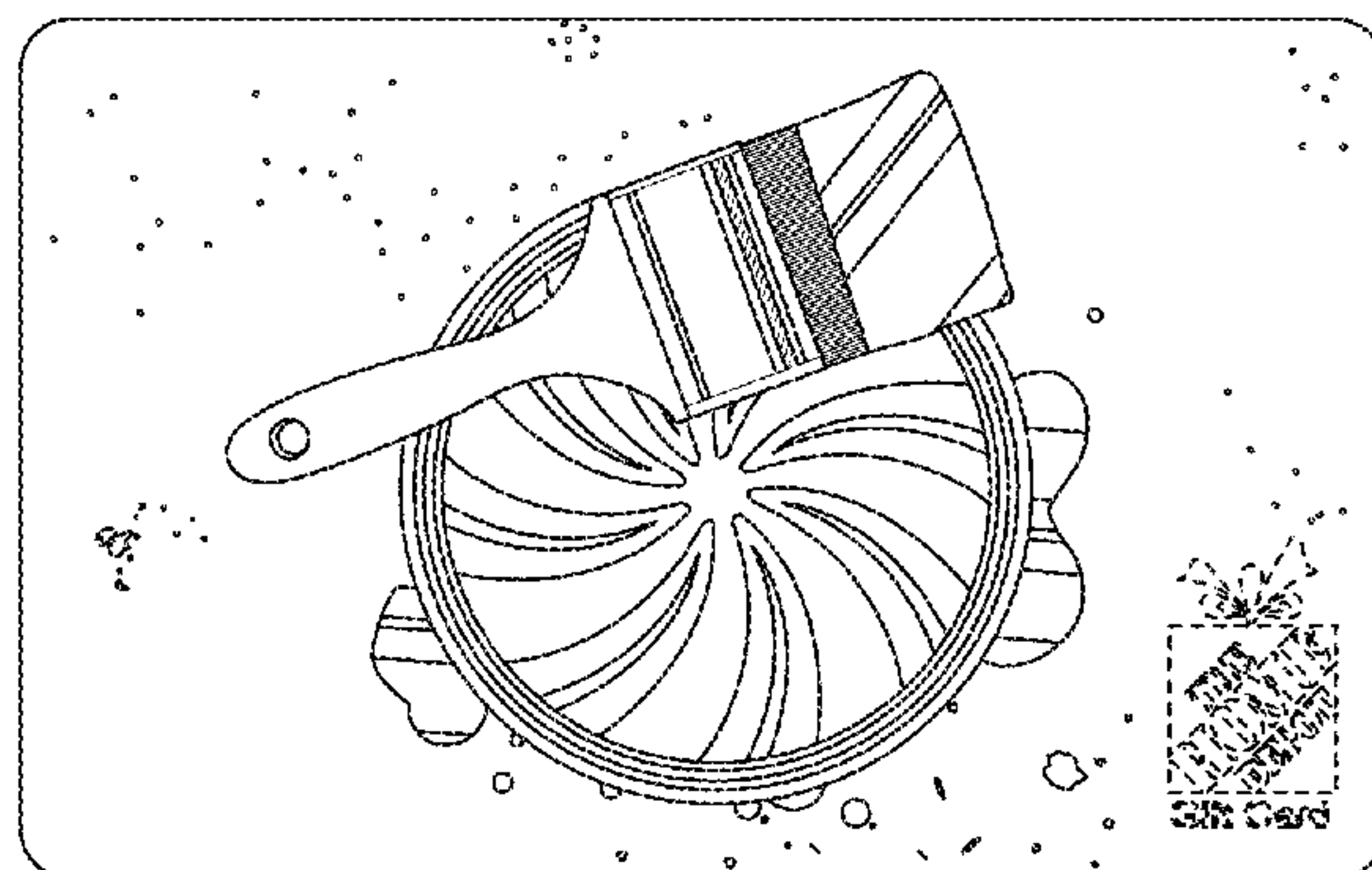
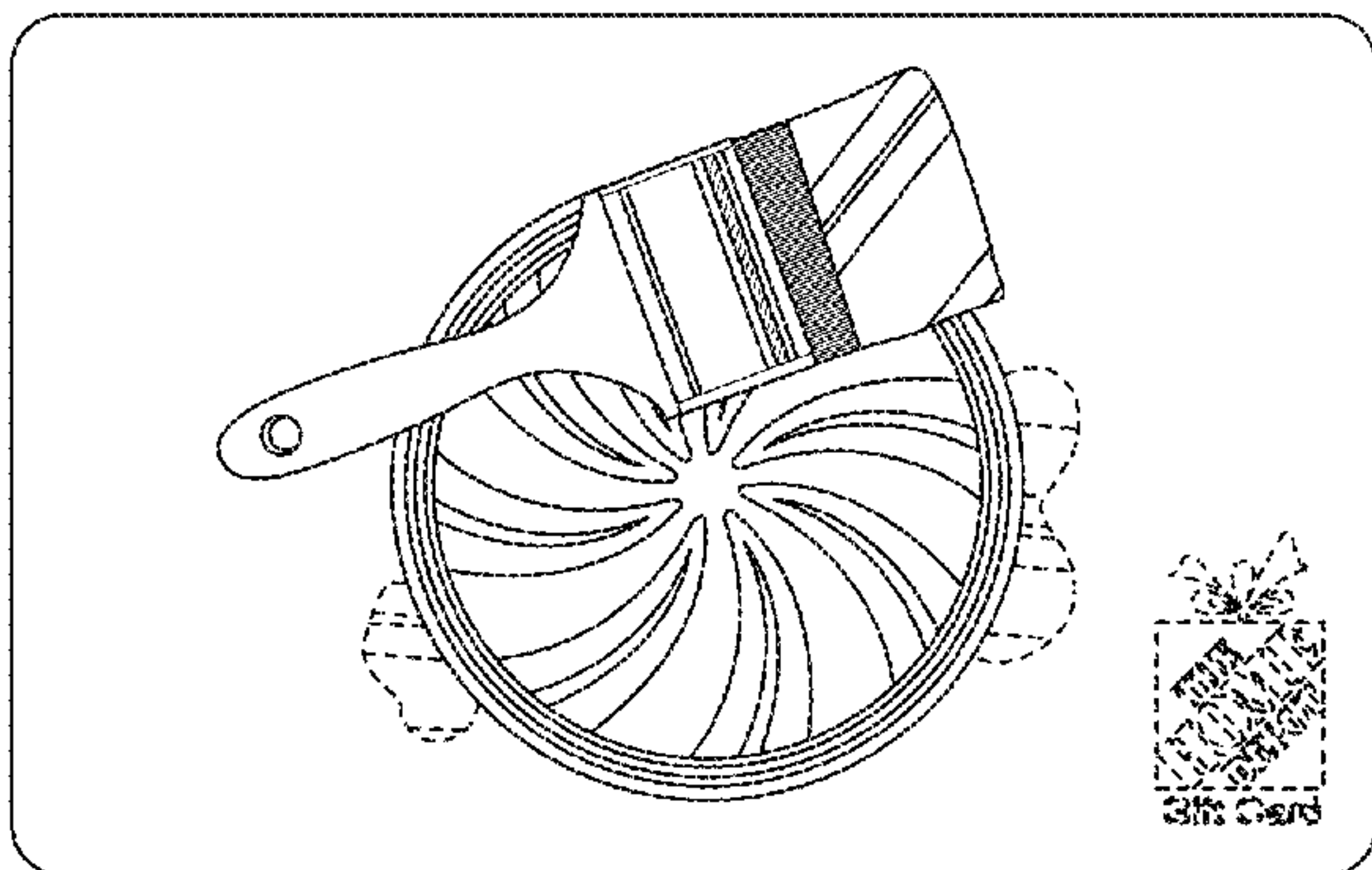
**DESCRIPTION**

FIG. 1 is a front view of a first embodiment of our design for a financial transaction card; and, FIG. 2 is a front view of a second embodiment of our design for a financial transaction card.

Our design takes the form of flat surface ornamentation on the front surface of the depicted card. We do not claim the thickness of the card, though a card incorporating our design may have the thickness of the card depicted in FIG. 1 of U.S. Pat. No. D 701,899, which is incorporated by reference (including, specifically, for the referenced card thickness). All of the material from U.S. Pat. No. D701,899 which is essential to the claimed design is included herein. Any material in U.S. Pat. No. D701,899 which is not present herein forms no part of the design claimed herein.

The dashed lines in the figures form no part of the claimed design. All other surface(s) or portion(s) of the financial transaction card not shown in the figures or otherwise described in the specification, including the edges and back thereof, form no part of the claimed design.

**1 Claim, 2 Drawing Sheets**



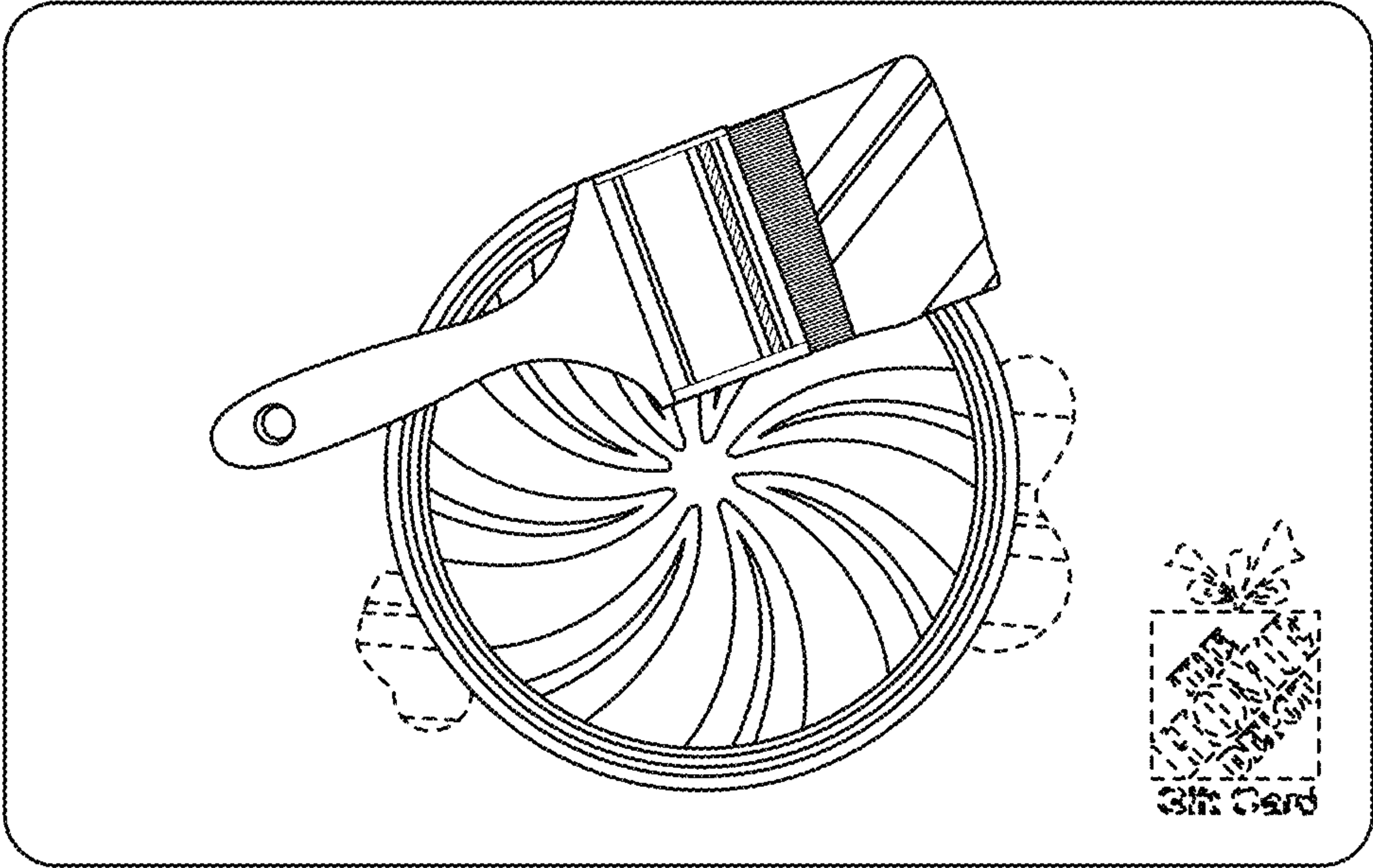


FIG. 1

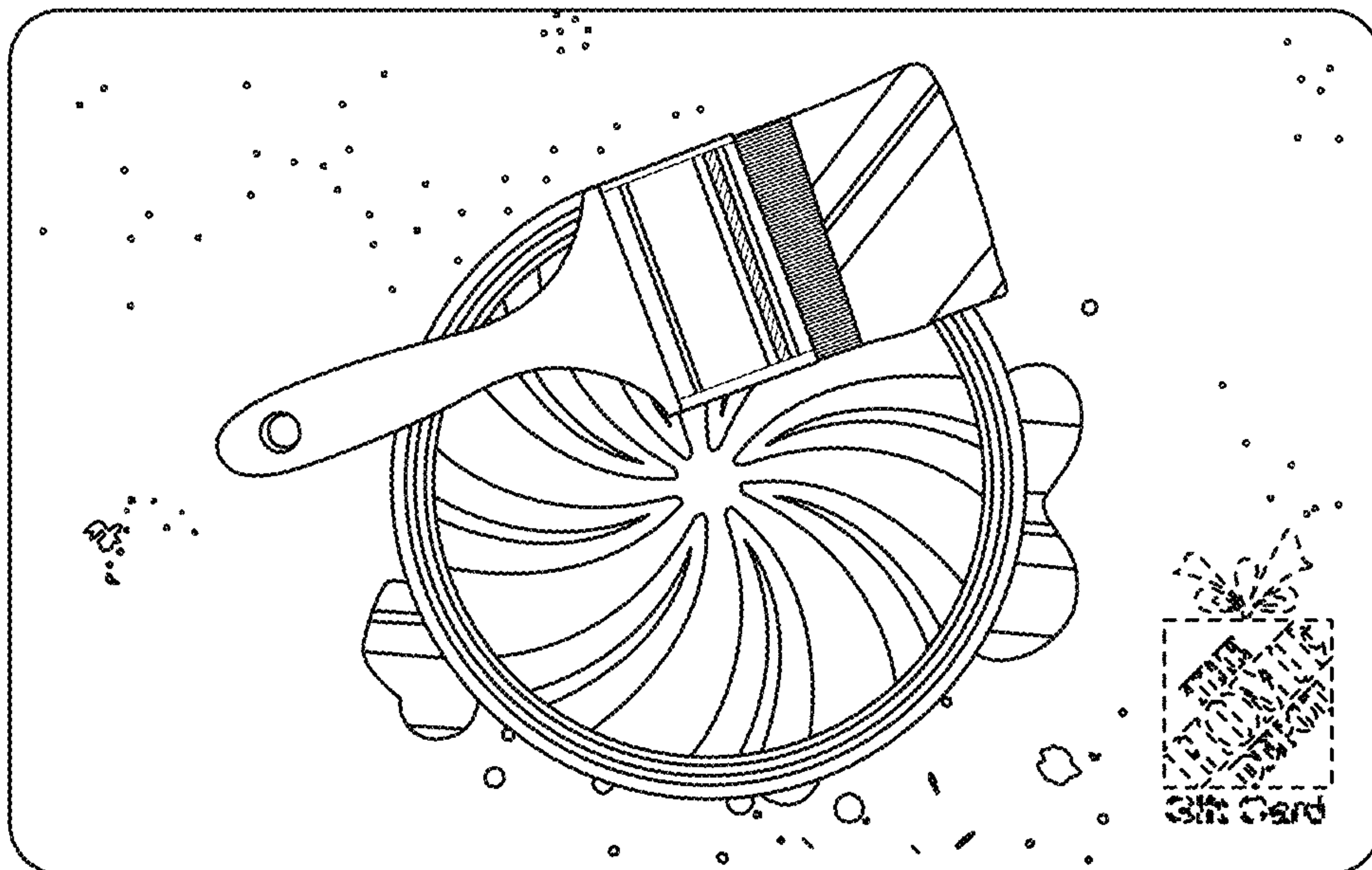


FIG. 2