



US00D798381S

(12) **United States Design Patent**
Martin et al.

(10) **Patent No.:** **US D798,381 S**
(45) **Date of Patent:** **** Sep. 26, 2017**

(54) **PART OF PRINTING MACHINE**
(71) Applicant: **Dover Europe Sàrl**, Vernier (CH)
(72) Inventors: **Elisabeth Martin**, Chatuzange le
goubet (FR); **Leslie Le Marec**, Valence
(FR); **Christian Araszkievitz**, Larnage
(FR)
(73) Assignee: **DOVER EUROPE SÀRL**, Vernier
(CH)

(**) Term: **15 Years**

(21) Appl. No.: **29/562,455**

(22) Filed: **Apr. 26, 2016**

(30) **Foreign Application Priority Data**

Feb. 11, 2016 (EM) 002982660-0005

(51) **LOC (10) Cl.** **18-02**

(52) **U.S. Cl.**
USPC **D18/56**

(58) **Field of Classification Search**
USPC D13/127, 133, 137.1, 137.2, 138.1, 144,
D13/146, 156, 161; D18/12, 18, 19,
D18/34.2, 34.3, 34.8, 34.9, 40, 56, 58, 99
CPC B41J 32/00; B41J 2/32; B41J 2/325; B41J
2/0057; B41J 2/17553; B41J 2/17546;
B41J 17/32; B41J 17/36; B41J 33/52;
B41J 35/28

See application file for complete search history.

(56) **References Cited**

U.S. PATENT DOCUMENTS

D390,596 S * 2/1998 Domhoff D18/56
D540,380 S * 4/2007 Hoshiya D18/56

D583,862 S * 12/2008 Park D18/56
D599,843 S * 9/2009 Jao D18/12
D624,024 S * 9/2010 Amidon D13/133
D674,839 S * 1/2013 Sakano D18/56
D733,655 S * 7/2015 Sato D13/133
D737,771 S * 9/2015 Hofmann D13/133
D741,804 S * 10/2015 Davidson, Jr. D13/133
D755,723 S * 5/2016 Kuhnert D13/146
D770,981 S * 11/2016 Corona D13/146
D774,459 S * 12/2016 Renaud-Byrne D13/146
2005/0212891 A1* 9/2005 Imamura B41J 2/0057
347/177
2007/0077107 A1* 4/2007 Dochi B41J 17/32
400/208

* cited by examiner

Primary Examiner — Manpreet Matharu

Assistant Examiner — Suzanne Tisdell

(74) *Attorney, Agent, or Firm* — Pearne & Gordon, LLP

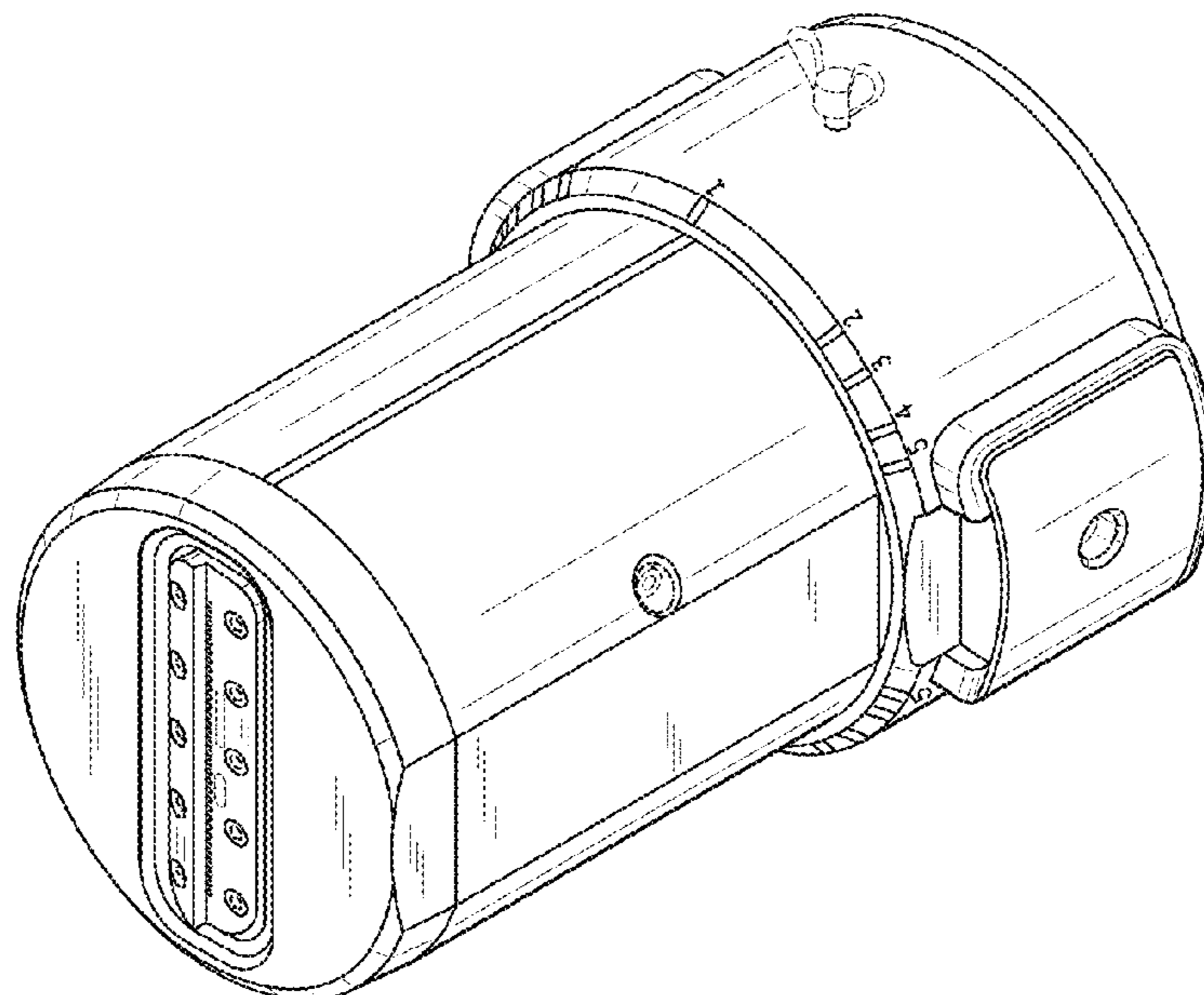
(57) **CLAIM**

The ornamental design for a part of a printing machine, as shown and described.

DESCRIPTION

FIG. 1 is a perspective view of a part of a printing machine showing our new design;
FIG. 2 is a front view thereof;
FIG. 3 is a top view thereof;
FIG. 4 is a right view thereof;
FIG. 5 is a left view thereof;
FIG. 6 is a rear view thereof; and,
FIG. 7 is a bottom view thereof.
The portions of the part of the printing machine shown in broken lines form no part of the claimed design.

1 Claim, 3 Drawing Sheets



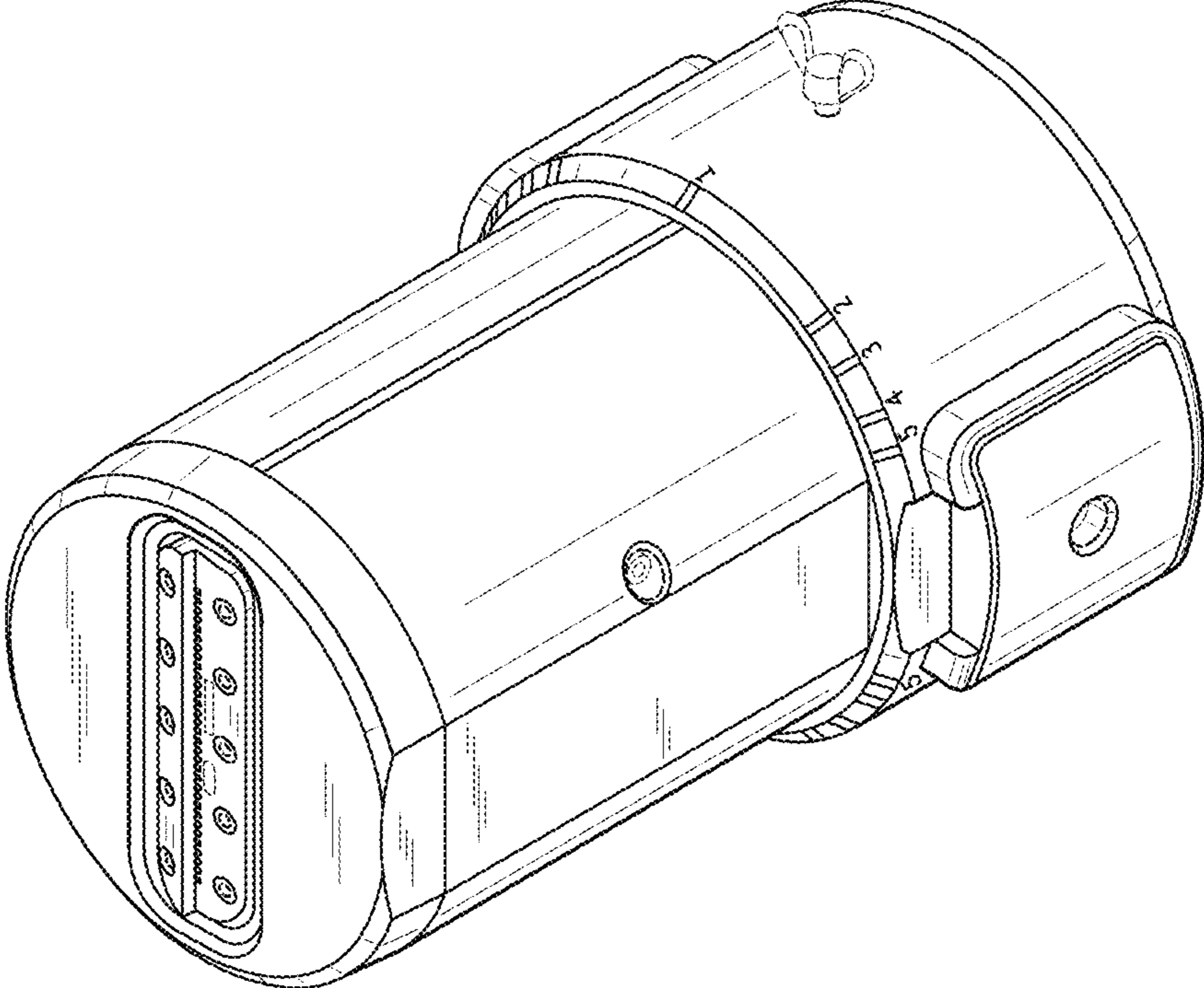


FIG. 1

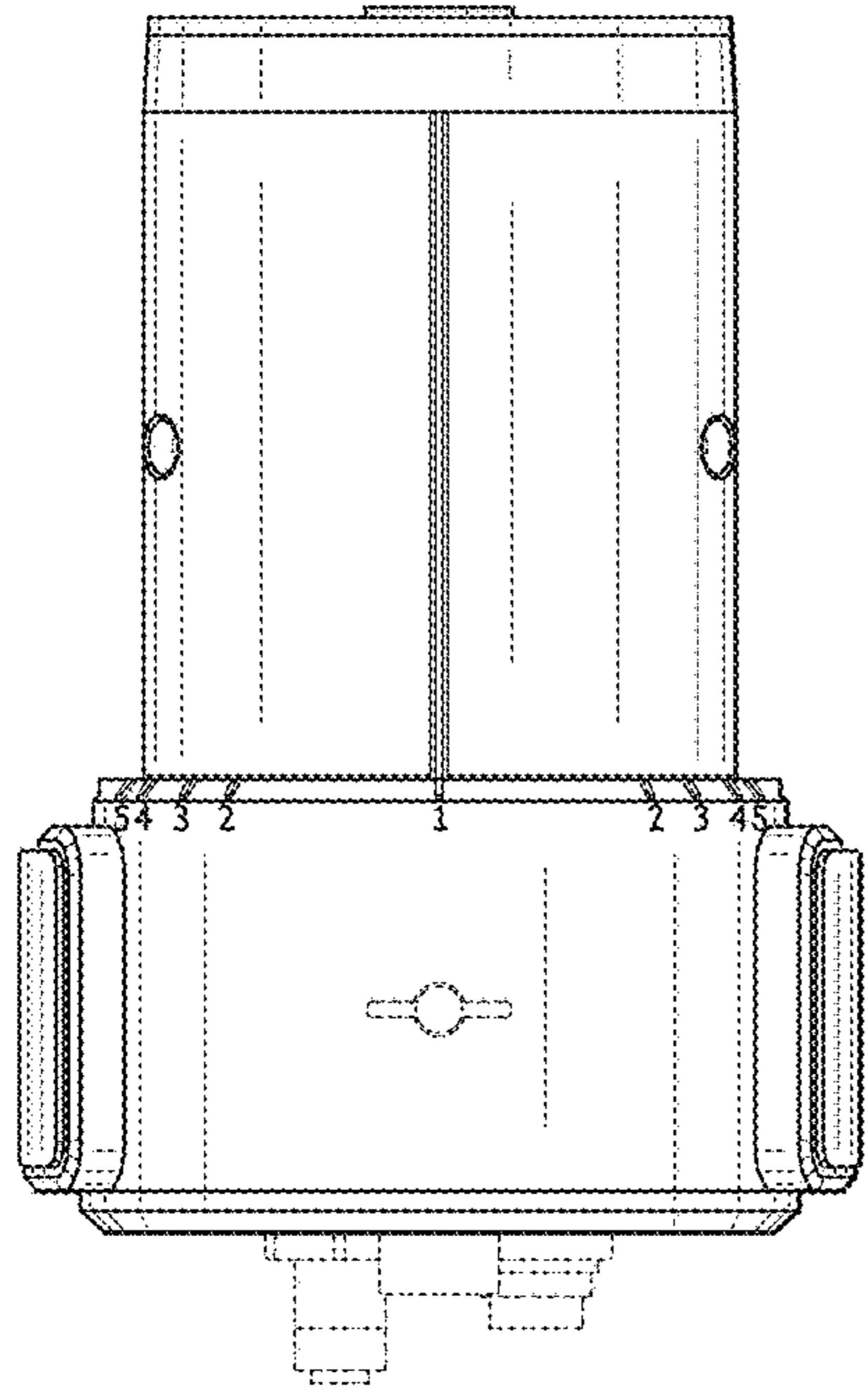


FIG. 3

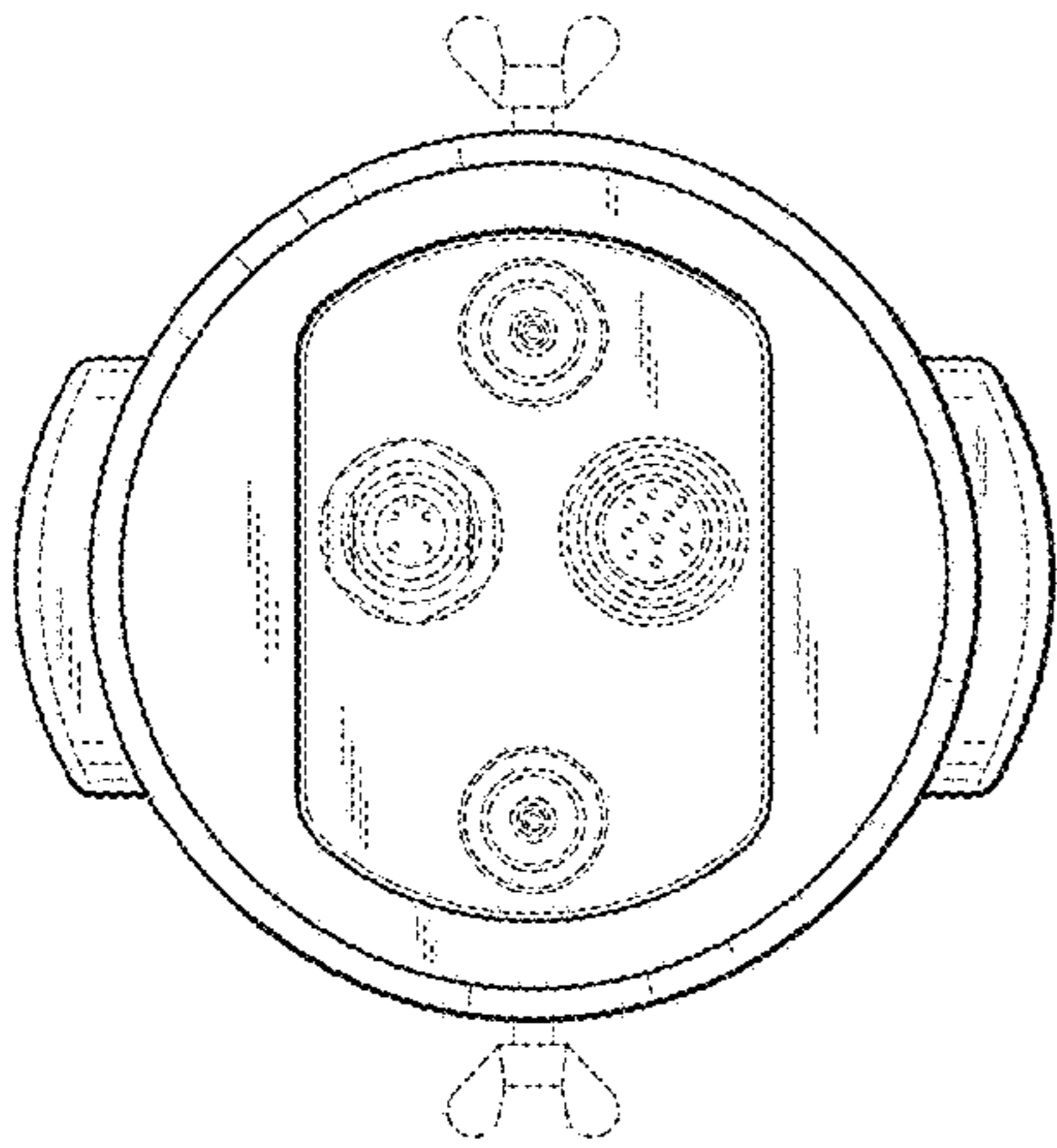


FIG. 2

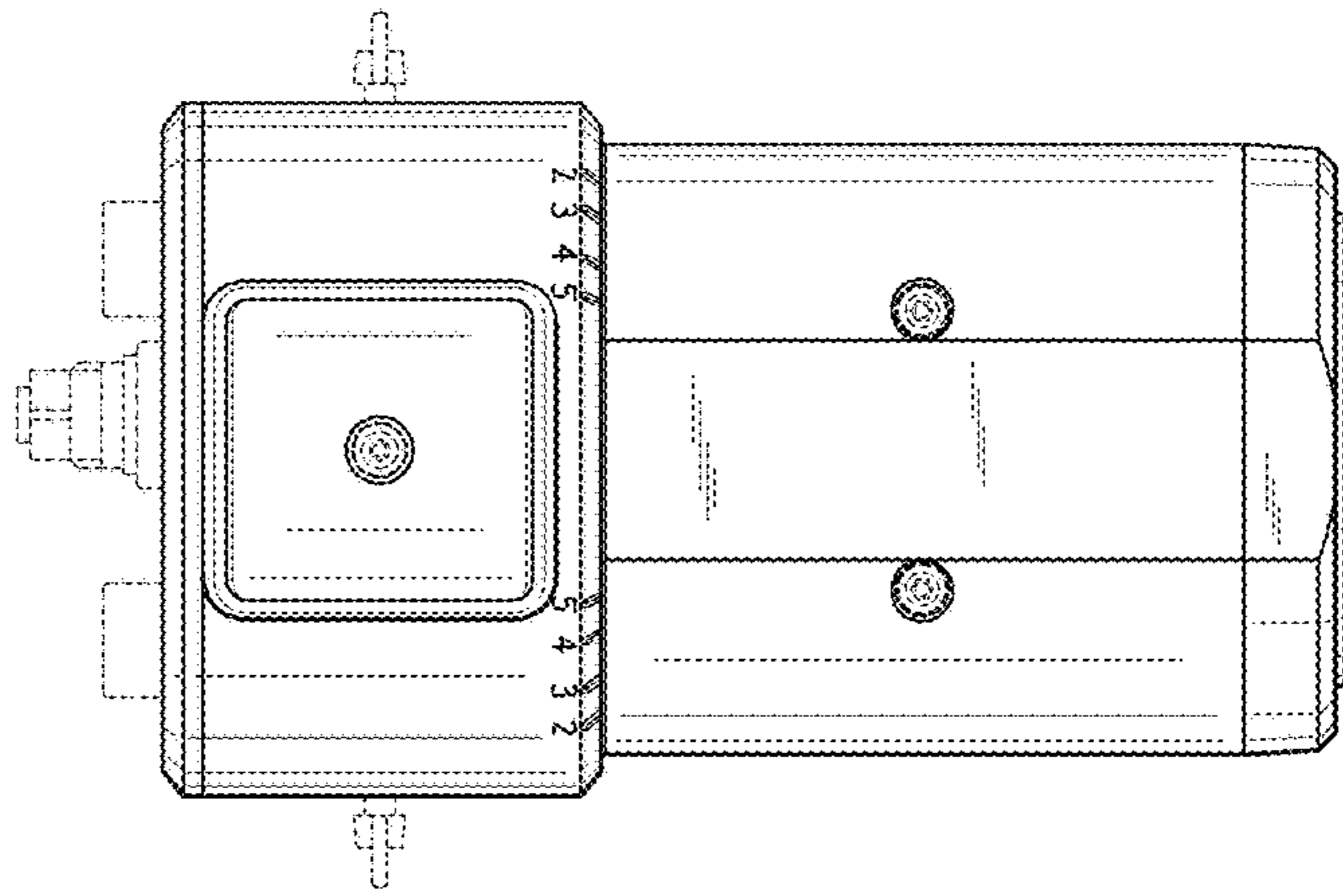


FIG. 4

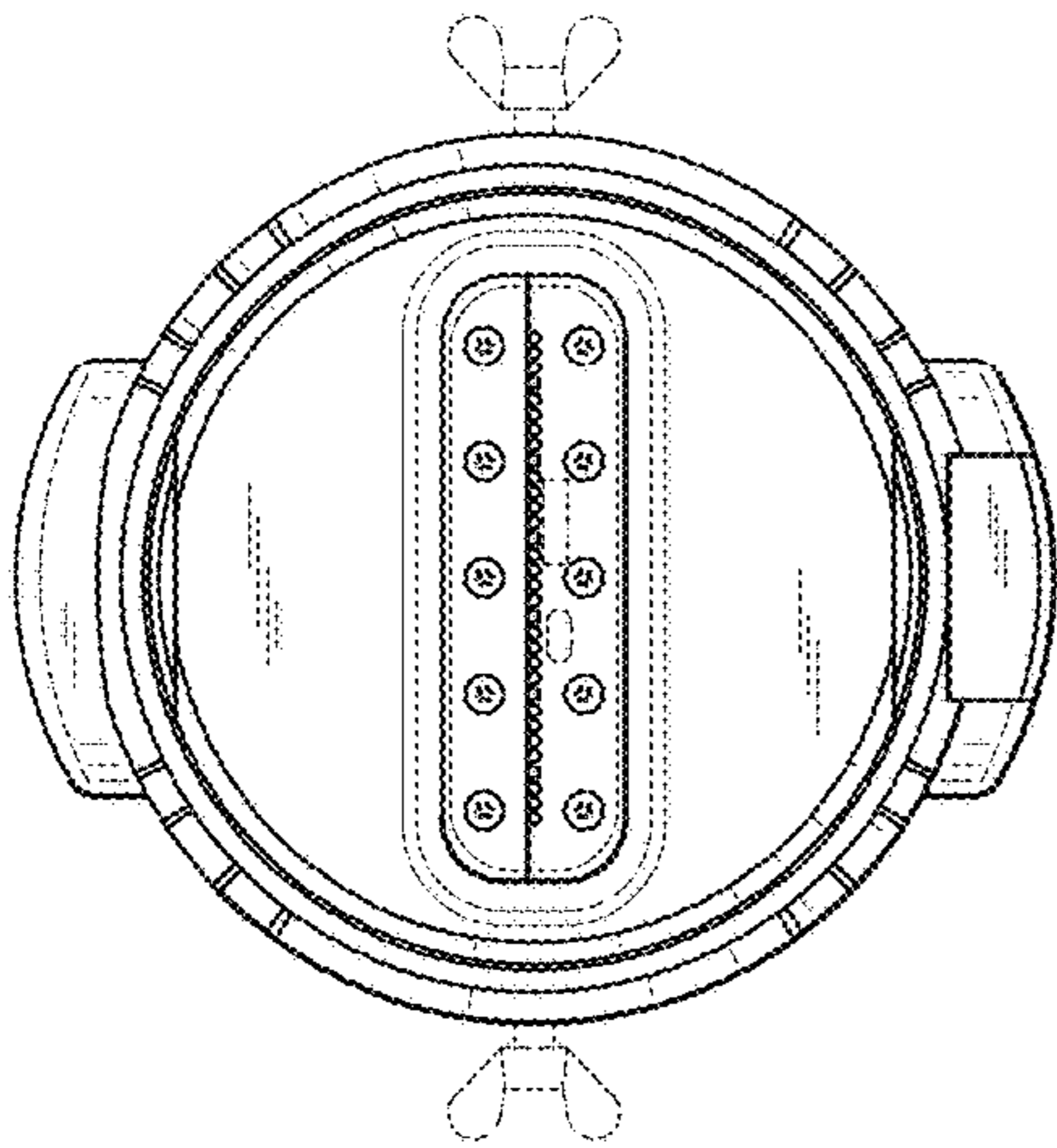


FIG. 6

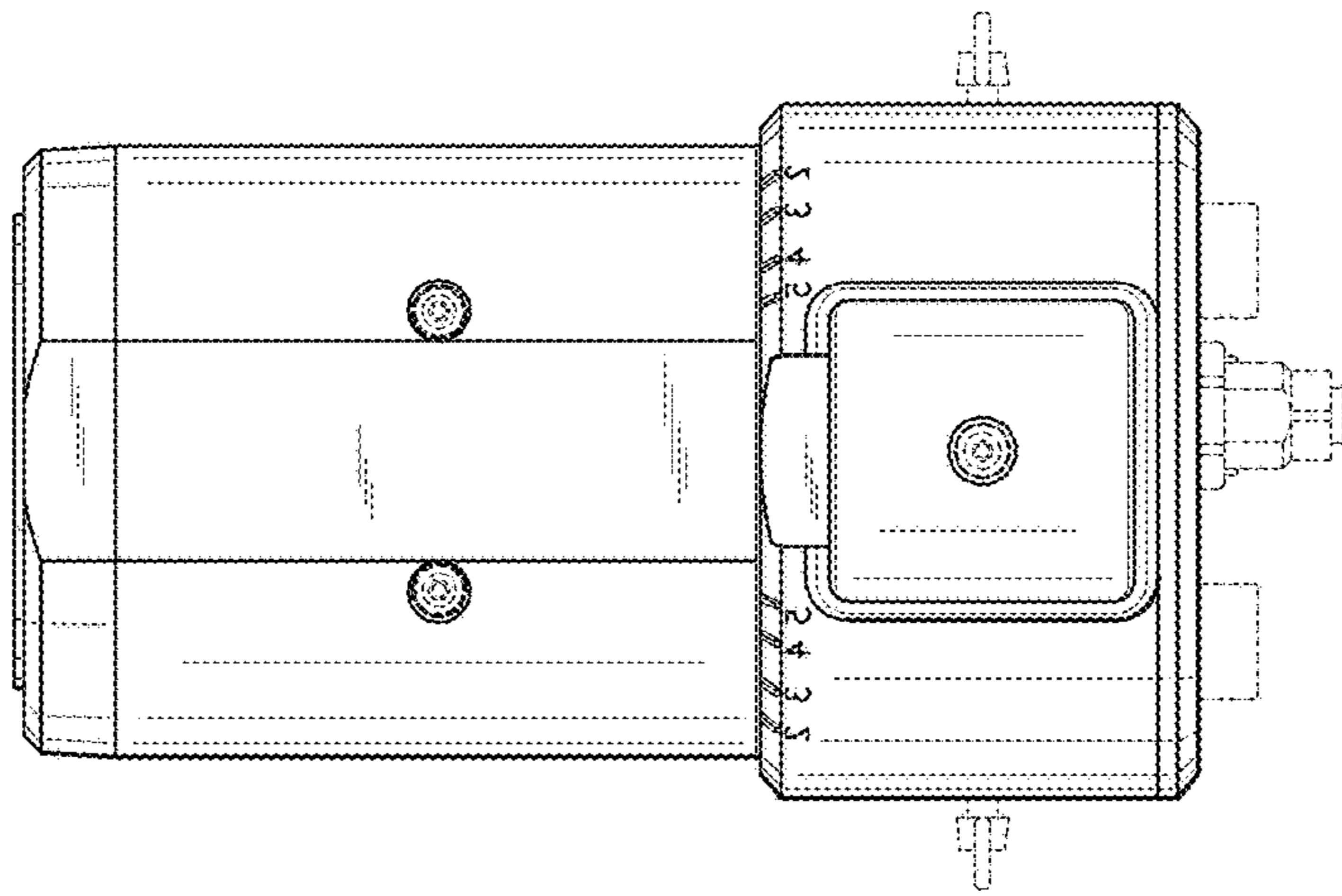


FIG. 5

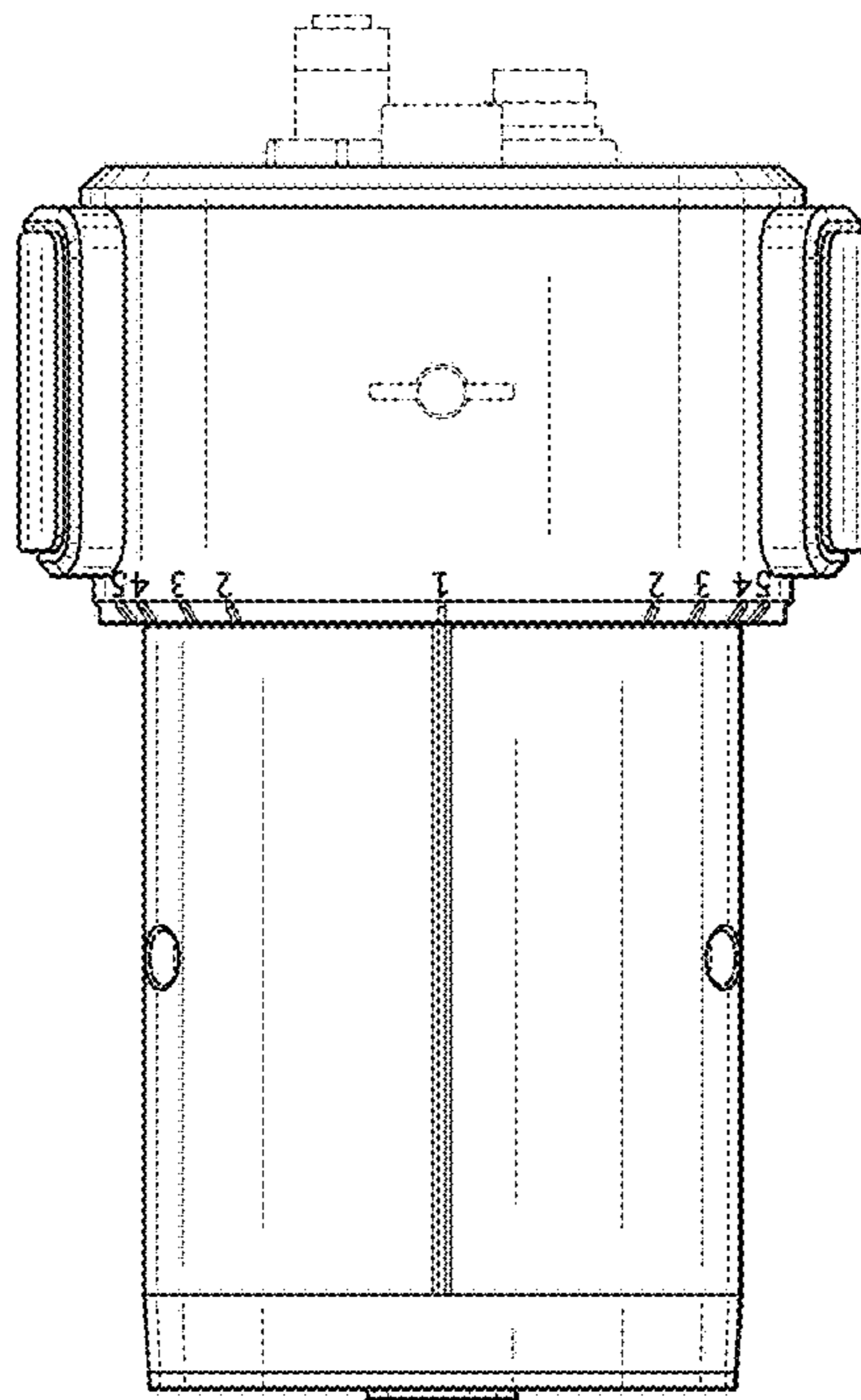


FIG. 7