



US00D798380S

(12) **United States Design Patent** (10) **Patent No.:** **US D798,380 S**  
**Murata** (45) **Date of Patent:** **\*\* Sep. 26, 2017**

(54) **TONER CARTRIDGE**  
(71) Applicant: **KYOCERA DOCUMENT SOLUTIONS INC., Osaka (JP)**  
(72) Inventor: **Koji Murata, Osaka (JP)**  
(73) Assignee: **KYOCERA DOCUMENT SOLUTIONS INC., Osaka (JP)**

D607,044 S \* 12/2009 Kurenuma ..... D18/43  
D607,045 S \* 12/2009 Kurenuma ..... D18/43  
D611,528 S \* 3/2010 Meyer ..... D18/43  
D614,231 S \* 4/2010 Yamada ..... D18/43  
D614,232 S \* 4/2010 Yamada ..... D18/43  
D615,124 S \* 5/2010 Nakajima ..... D18/43  
D615,584 S \* 5/2010 Jimba ..... D18/43  
D616,491 S \* 5/2010 Yomoda ..... D18/43  
D653,702 S \* 2/2012 Amberg ..... D18/43  
D667,047 S \* 9/2012 Oshikawa ..... D18/43

(Continued)

(\*\*) Term: **15 Years**

*Primary Examiner* — Cynthia Ramirez

*Assistant Examiner* — Michael Maharajh

(21) Appl. No.: **29/561,704**

(74) *Attorney, Agent, or Firm* — Young & Thompson

(22) Filed: **Apr. 19, 2016**

(51) **LOC (10) Cl.** ..... **16-03**

(57) **CLAIM**

(52) **U.S. Cl.**  
USPC ..... **D18/43**

The ornamental design for a toner cartridge, as shown and described.

(58) **Field of Classification Search**  
USPC ..... D18/36, 37, 38, 39, 40, 41, 44, 45, 46, D18/47, 48, 49, 50, 51, 52, 53, 54, 55, D18/56; D14/299, 462, 463, 464, 465, D14/466, 467, 468, 469, 470, 471, 301, D14/307, 129, 130; 347/1, 20, 29, 197, 347/214, 222; 399/24, 25, 26, 27, 399/107–112, 120, 222, 224, 223  
CPC ..... G03G 21/12; G03G 15/0834; G03G 15/0837; G03G 15/0872; G03G 2215/0668; B41J 11/0015; H04N 2201/0094

**DESCRIPTION**

See application file for complete search history.

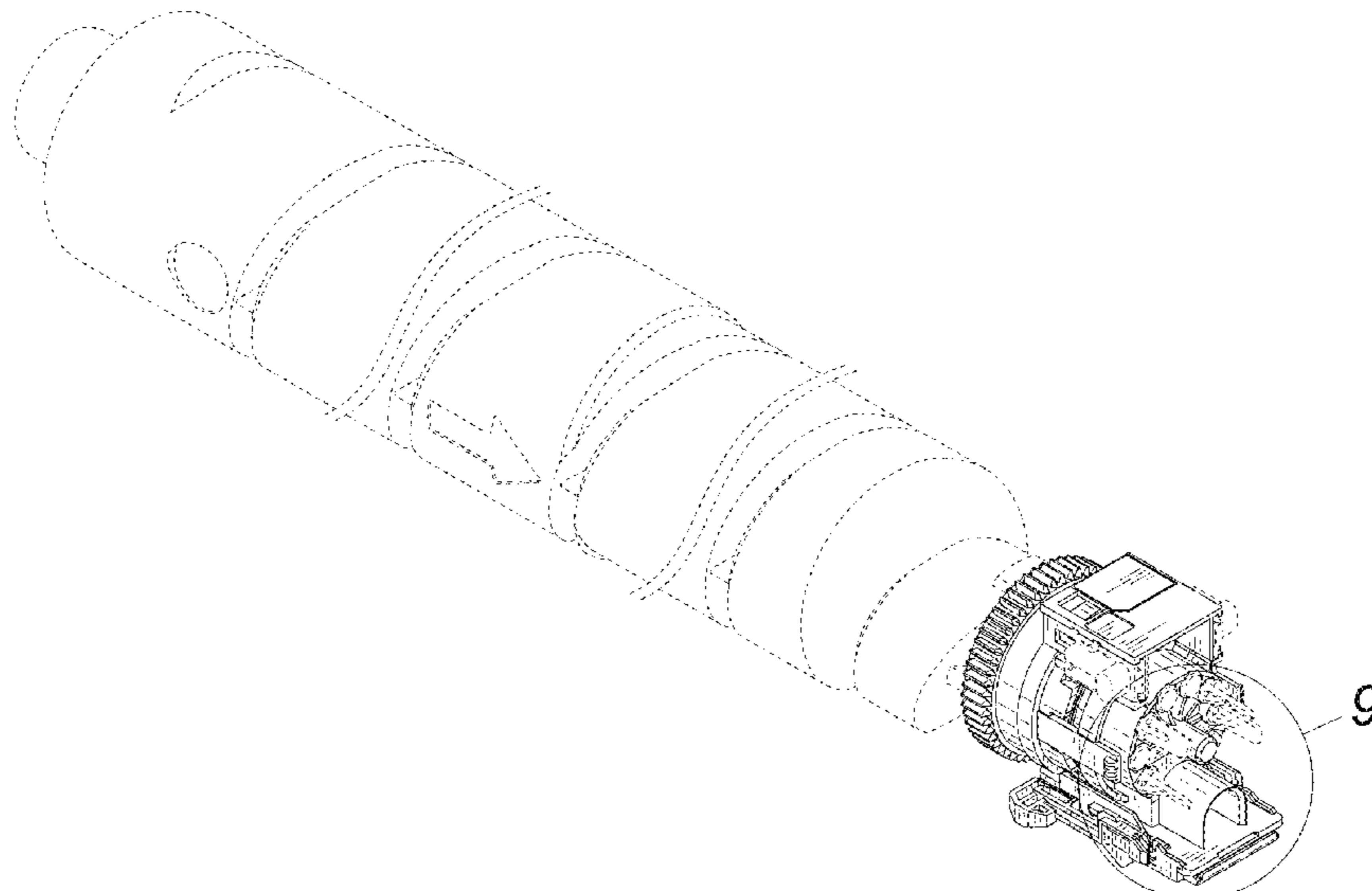
FIG. 1 is a perspective view of front, right and top of toner cartridge showing my new design;  
FIG. 2 is a perspective view of rear, right and bottom thereof;  
FIG. 3 is a front view thereof;  
FIG. 4 is a rear view thereof;  
FIG. 5 is a left side view thereof;  
FIG. 6 is a right side view thereof;  
FIG. 7 is a top plan view thereof;  
FIG. 8 is a bottom plan view thereof;  
FIG. 9 is an enlarged view of portion “9” shown in FIG. 1; and,  
FIG. 10 is an enlarged view of portion “10” show in FIG. 2.  
The broken lines in the figures are included for the purpose of illustrating the unclaimed portions of the toner cartridge and form no part of the claimed design.  
The circle lines encircling a portion of the toner cartridge in FIGS. 1 and 2 are for the purpose of illustrating enlargements and form no part of the claimed design.

(56) **References Cited**

**U.S. PATENT DOCUMENTS**

D450,081 S \* 11/2001 Tsuji ..... D18/43  
D529,542 S \* 10/2006 Tazawa ..... D18/43  
D538,331 S \* 3/2007 Tazawa ..... D18/43  
D591,336 S \* 4/2009 Kurenuma ..... D18/43  
D598,490 S \* 8/2009 Kurenuma ..... D18/43  
D599,845 S \* 9/2009 Kurenuma ..... D18/43  
D602,519 S \* 10/2009 Kurenuma ..... D18/43

**1 Claim, 6 Drawing Sheets**



(56)

**References Cited**

U.S. PATENT DOCUMENTS

D689,128 S *	9/2013	Amberg .....	D18/43
D698,386 S *	1/2014	Takahashi .....	D18/43
D711,462 S *	8/2014	Jimba .....	D18/43
D734,386 S *	7/2015	Kikuchi .....	D18/43
D735,803 S *	8/2015	Wang .....	D18/43
D735,804 S *	8/2015	Wang .....	D18/43
D760,315 S *	6/2016	Wang .....	D18/43

\* cited by examiner

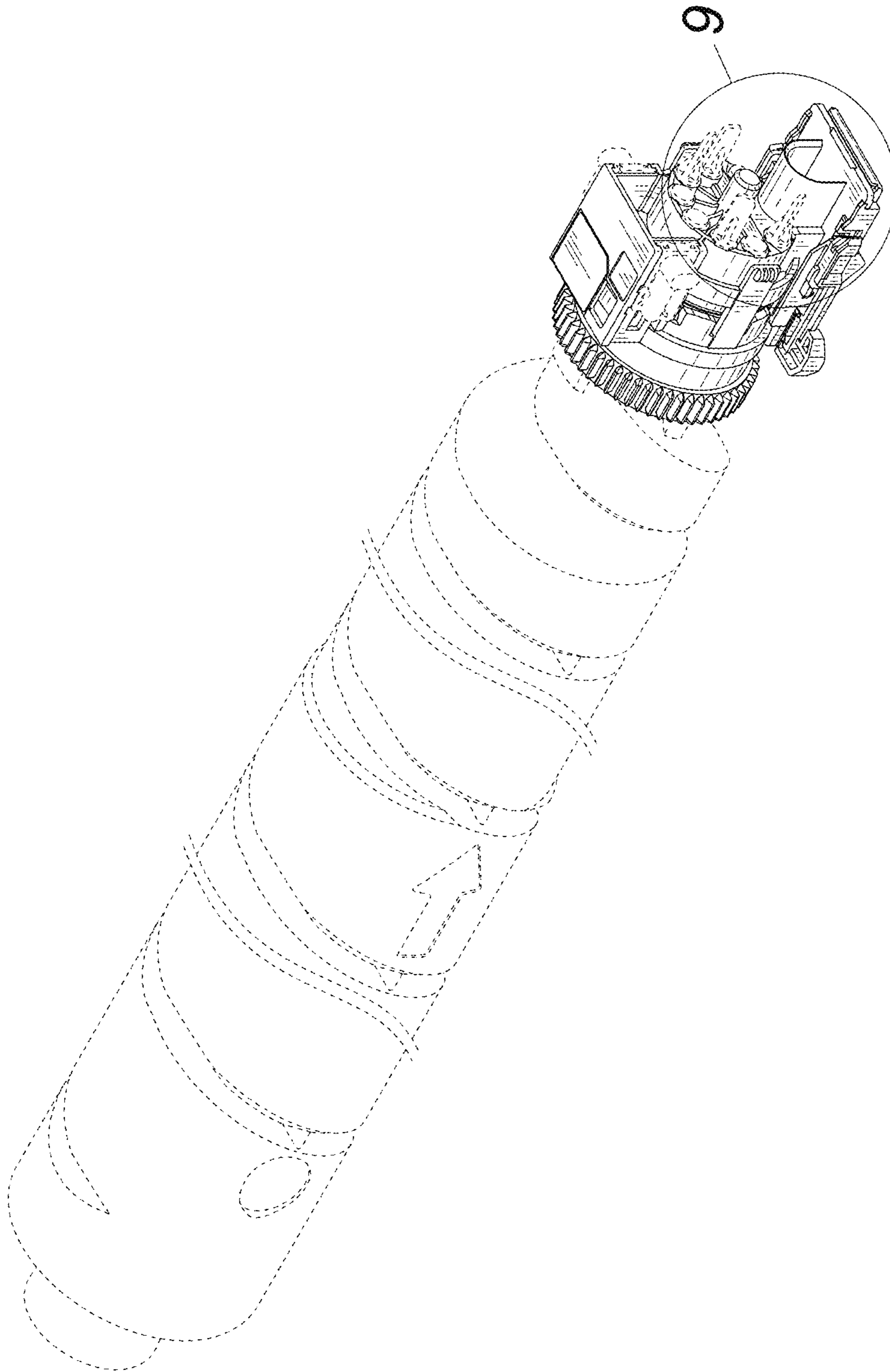


FIG. 1

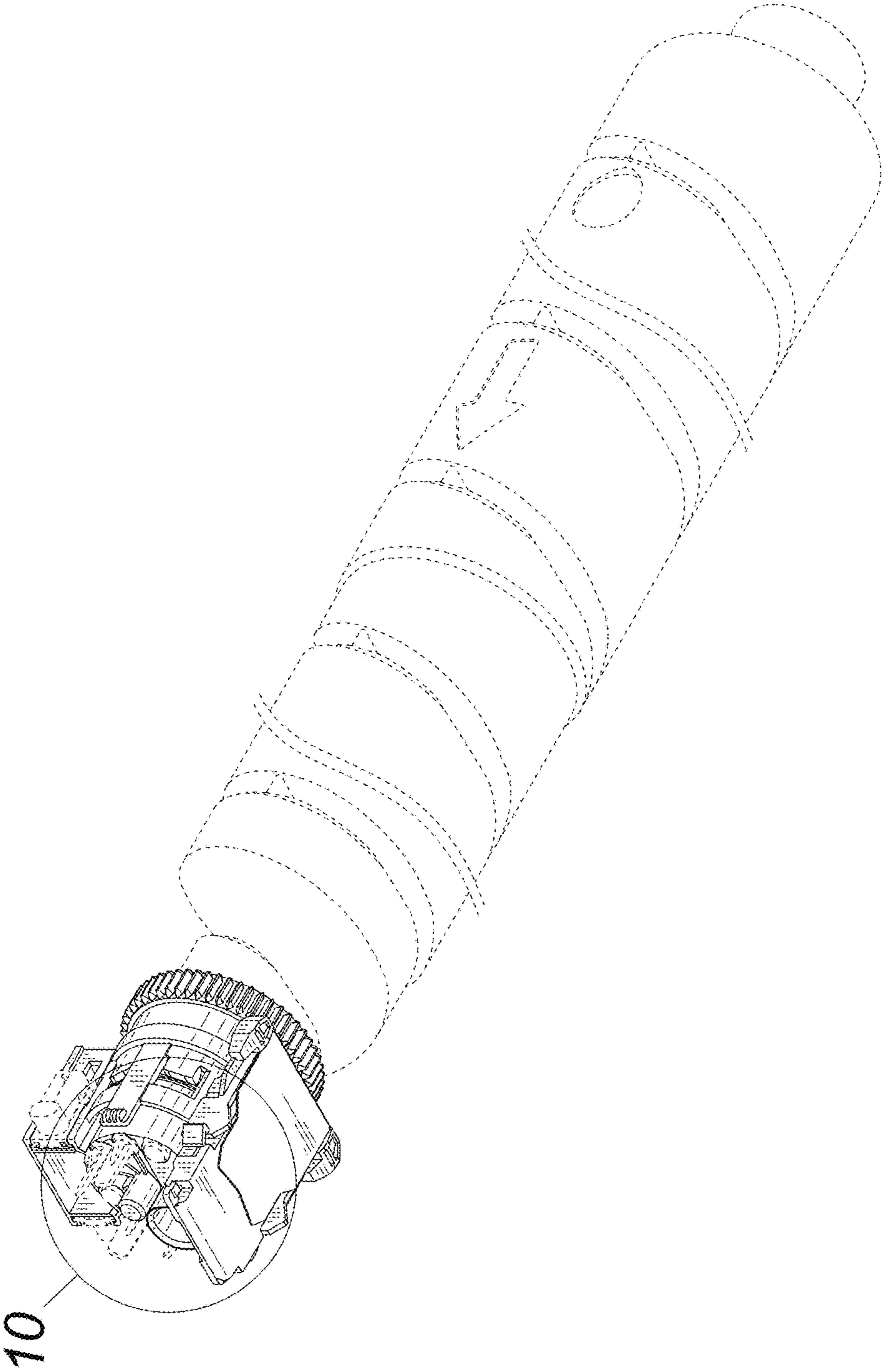


FIG. 2

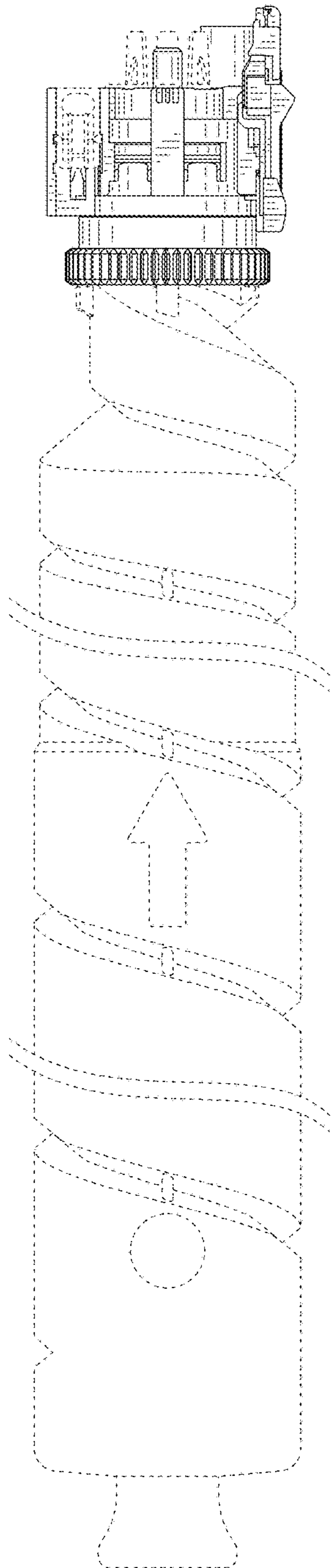


FIG. 3

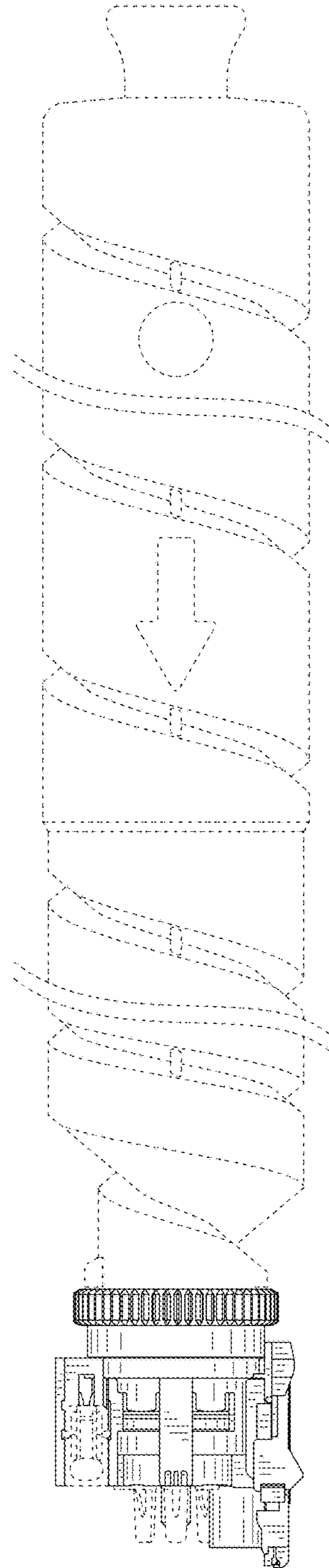


FIG. 4

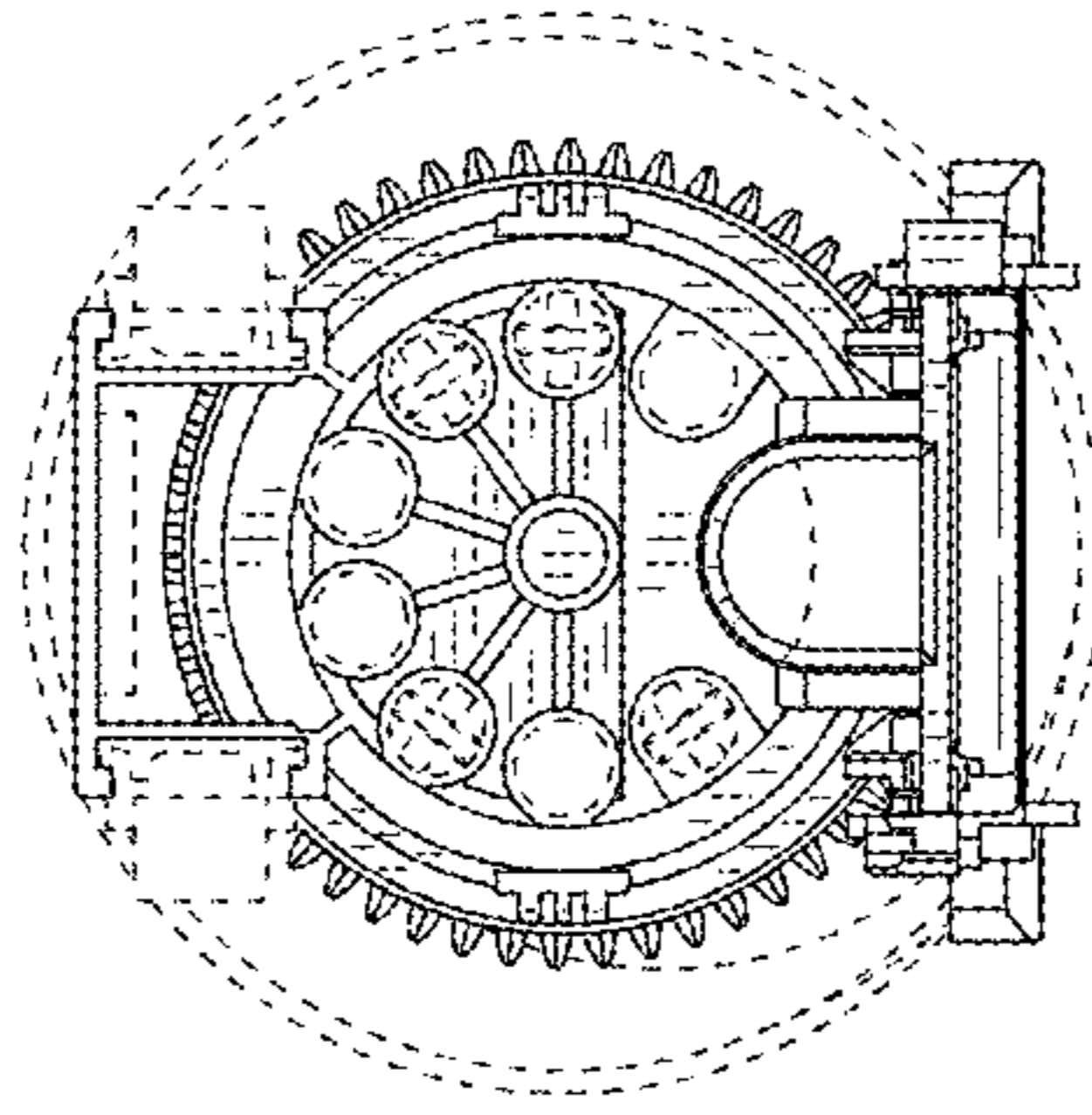


FIG. 5

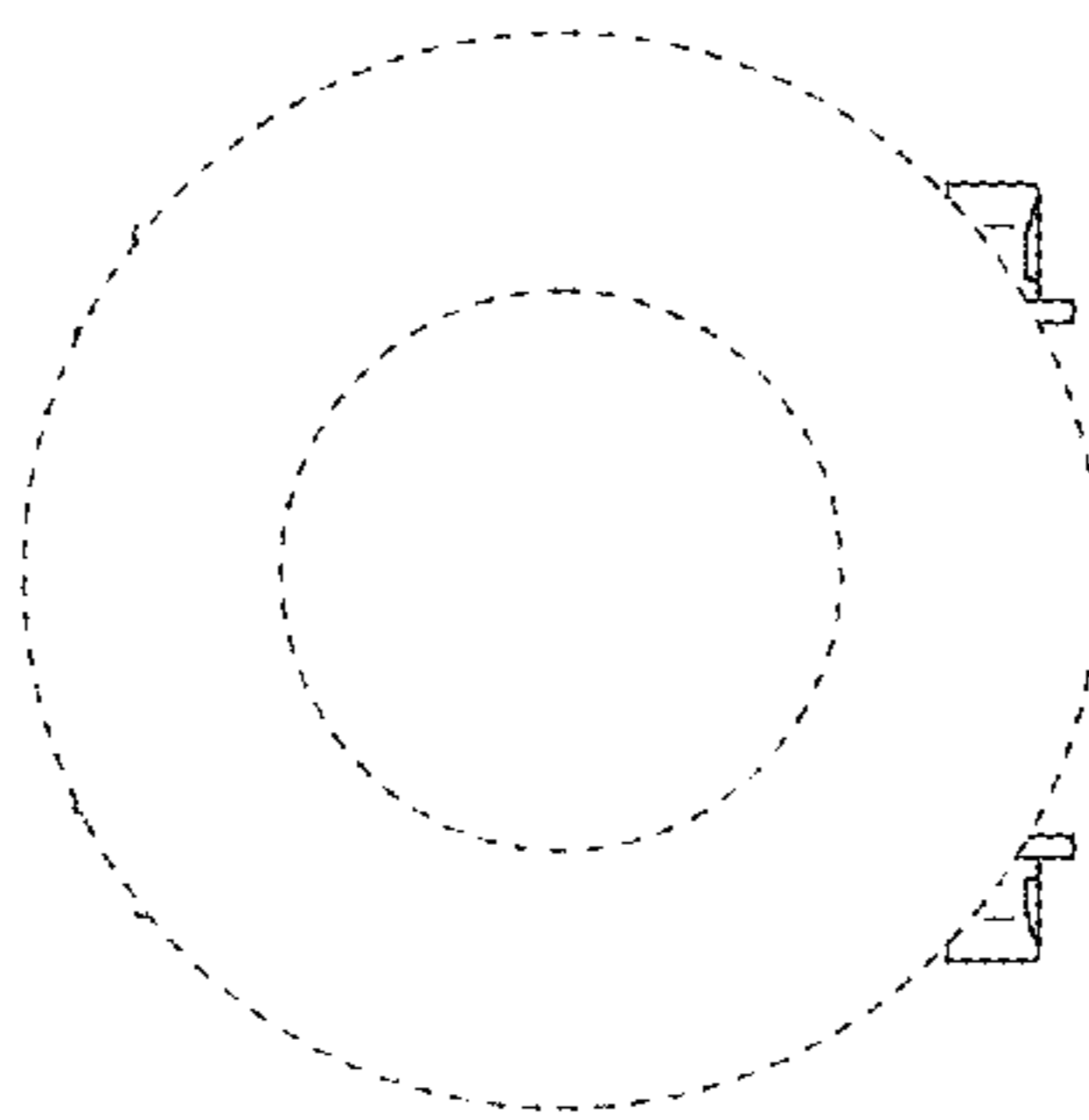


FIG. 6

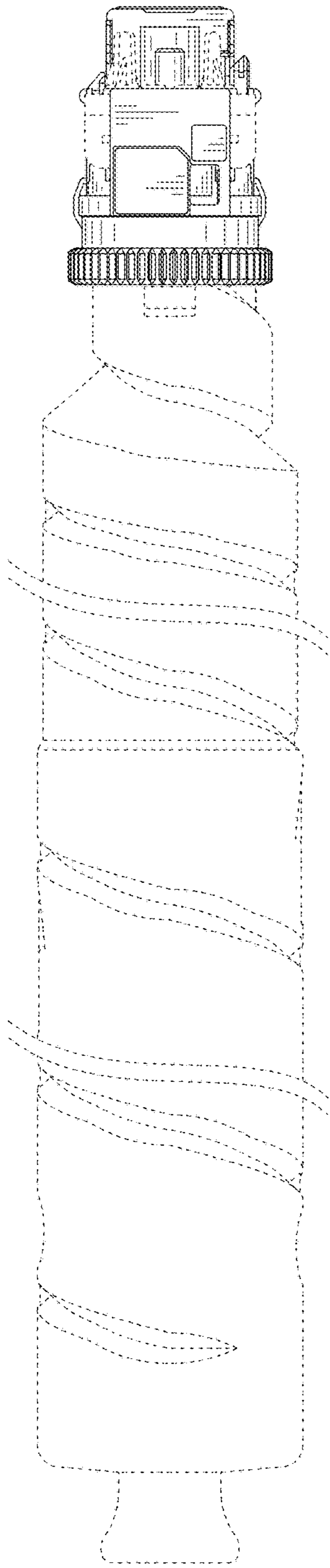


FIG. 7

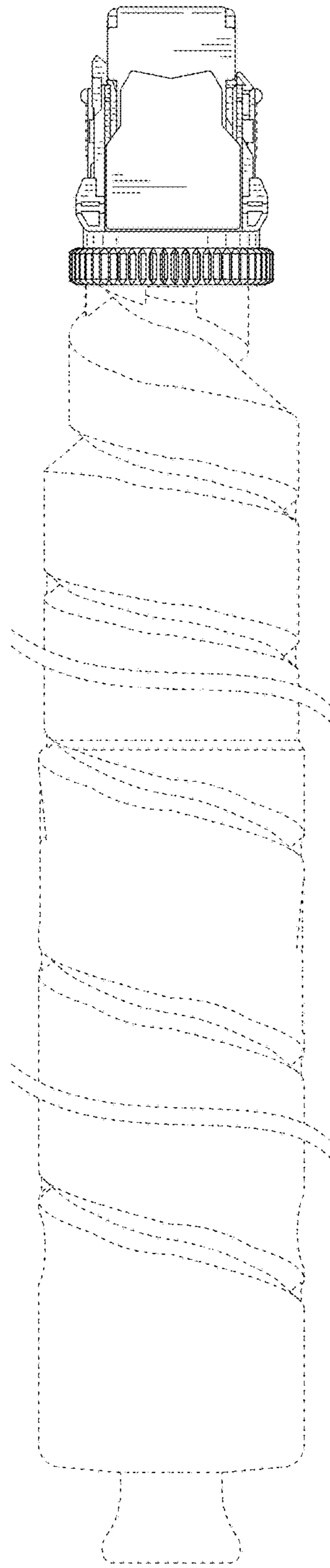


FIG. 8

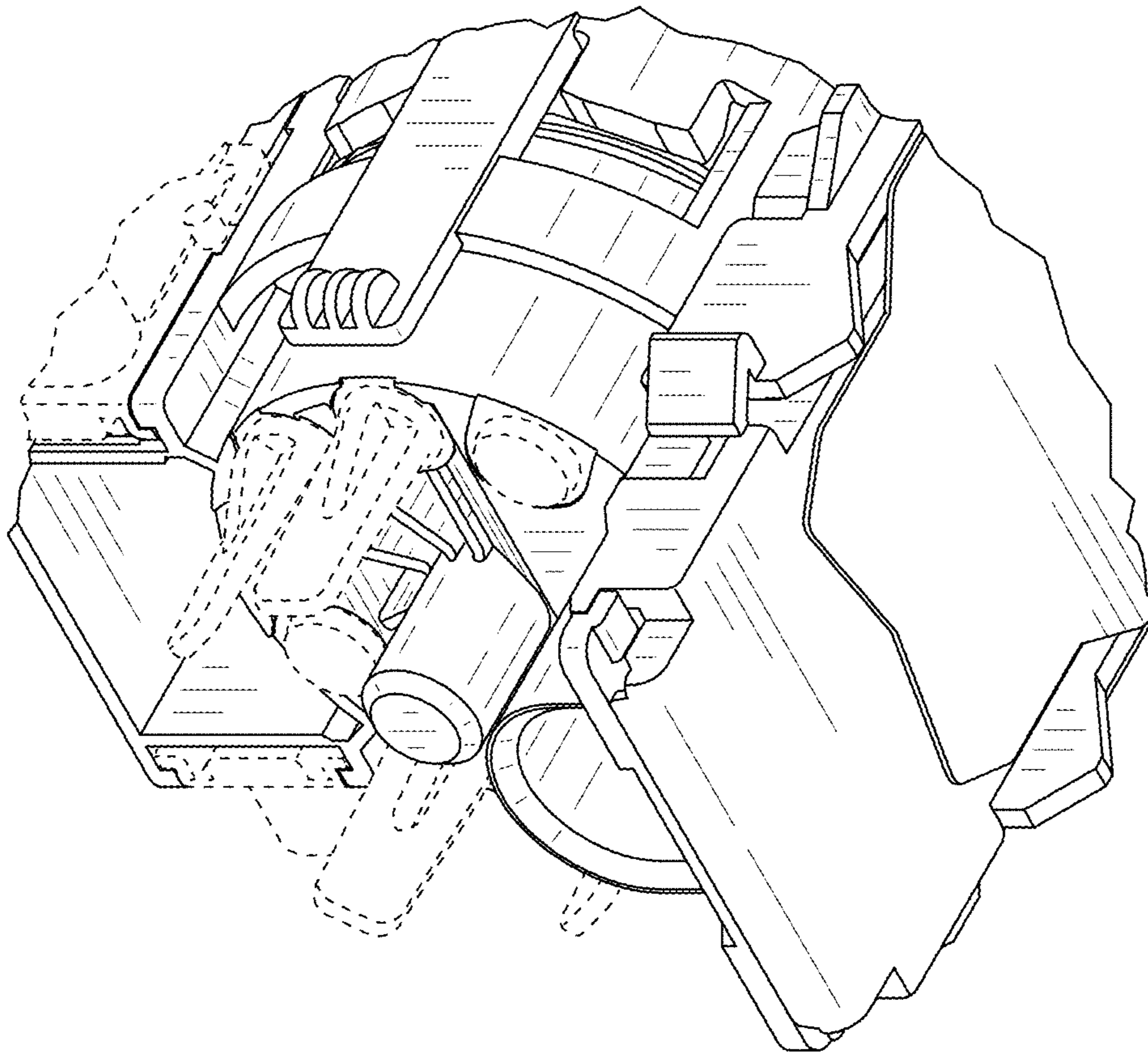


FIG. 10

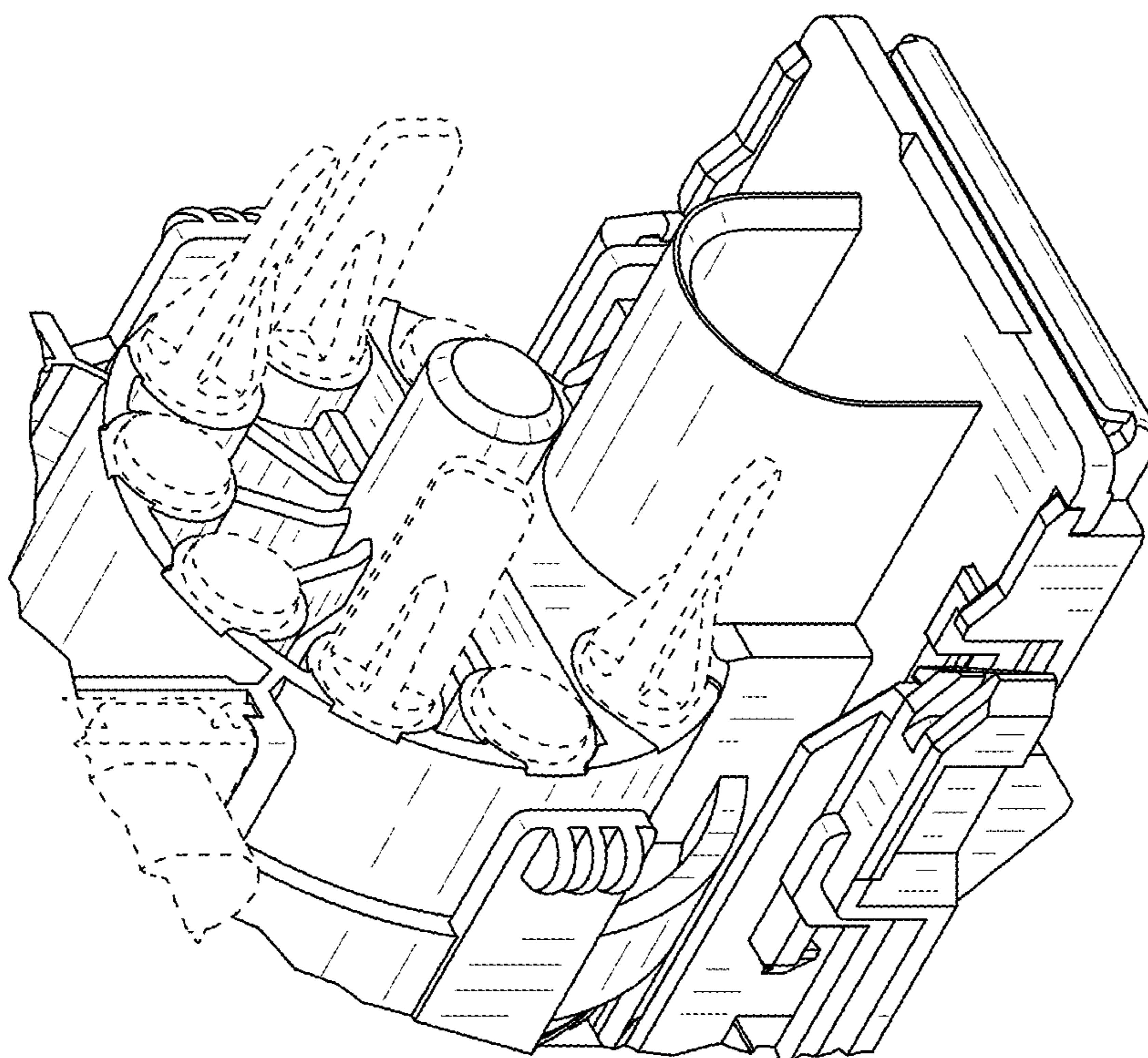


FIG. 9