



US00D798377S

(12) **United States Design Patent** (10) **Patent No.:** **US D798,377 S**
Horacek (45) **Date of Patent:** **** Sep. 26, 2017**

(54) **METRONOME**

(71) Applicant: **SOUNDBRENNER LIMITED**, North Point, Hong Kong (HK)

(72) Inventor: **Raymond Horacek**, Yokohama (JP)

(73) Assignee: **Soundbrenner Limited**, Hong Kong (HK)

(**) Term: **15 Years**

(21) Appl. No.: **29/559,643**

(22) Filed: **Mar. 30, 2016**

(51) **LOC (10) Cl.** **17-99**

(52) **U.S. Cl.**
USPC **D17/99**

(58) **Field of Classification Search**

USPC D1/106; D6/716; D9/418; D10/30, 31, D10/32, 33, 34, 37, 38, 39, 40, 43, 70, D10/120, 124, 126, 128; D11/3, 25, 94; D13/167; D17/1, 7, 9, 10, 20, 22, 99; D21/405, 406, 408, 409; D24/194
CPC .. G04G 21/08; G04F 5/00; G04F 5/02; G04F 5/025; G09B 19/00; G09B 19/0038; A63B 71/0686; A44C 5/0092; A44C 5/0053

See application file for complete search history.

(56) **References Cited**

U.S. PATENT DOCUMENTS

D26,922 S * 4/1897 Smith D10/128
744,564 A * 11/1903 Kisling A44C 5/0092
24/16 PB
2,280,490 A * 4/1942 Keltie A44C 5/0053
224/178
D387,692 S * 12/1997 Hanagata D11/3
D407,342 S * 3/1999 Ishizaka D11/3
D443,221 S * 6/2001 Jacob D11/3
D625,203 S * 10/2010 Giannini D10/32
D701,128 S * 3/2014 Lau G04G 21/08
D10/32
D732,529 S * 6/2015 Aumiller D14/344

(Continued)

OTHER PUBLICATIONS

Soundbrenner (More than 2000 Facebook likes!), posted at Facebook.com, posted on Mar. 24, 2015, [online], [site visited Nov. 7, 2016]. Available from Internet, <URL: <https://www.facebook.com/soundbrenner/photos/a.345500105654982.1073741829.336972189841107/351836591688000/?type=3&theater>>.*

(Continued)

Primary Examiner — Thomas Johannes

Assistant Examiner — Catherine Ho

(74) *Attorney, Agent, or Firm* — Ware, Fressola, Maguire & Barber LLP

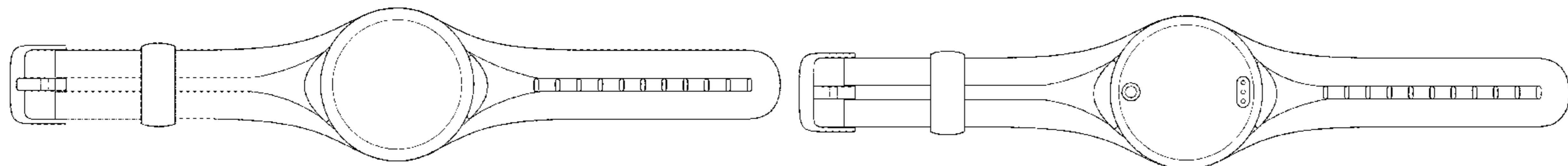
(57) **CLAIM**

I claim the ornamental design for a metronome, as shown and described.

DESCRIPTION

FIG. 1 shows a front view of a metronome;
FIG. 2 shows a back view of the metronome;
FIG. 3 shows a top view of the metronome;
FIG. 4 shows a bottom view of the metronome;
FIG. 5 shows a left view of the metronome;
FIG. 6 shows a right view of the metronome;
FIG. 7 shows the front view of the metronome (with band clasped);
FIG. 8 shows the back view of the metronome (with band clasped);
FIG. 9 shows a perspective view of the top of the metronome (with band clasped);
FIG. 10 shows a perspective view of the bottom of the metronome (with band clasped);
FIG. 11 shows a first perspective view of the top of the metronome (with band unclasped); and,
FIG. 12 shows a second perspective view of the top of the metronome (with band unclasped).

1 Claim, 12 Drawing Sheets



(56)

References Cited

U.S. PATENT DOCUMENTS

D732,984 S * 6/2015 Nussbaumer D10/38
D760,220 S * 6/2016 Aumiller D14/344

OTHER PUBLICATIONS

Soundbrenner (Update on Our New Band Design), posted at Facebook.com, posted on Aug. 4, 2015, [online], [site visited Nov. 7, 2016]. Available from Internet, <URL: <https://www.facebook.com/soundbrenner/photos/a.345500105654982.1073741829.336972189841107/429380430600282/?type=3&theater>>.*

Misfit Wearables Flash Fitness and Sleep Monitor, posted at Amazon.com, posted on Oct. 30, 2014, [online], [site visited Nov. 7, 2016]. Available from Internet, <URL: https://www.amazon.com/Misfit-Wearables-Flash-Fitness-Monitor/dp/B00NIU9YEC/ref=cm_cr_ar_p_d_product_top?ie=UTF8>.*

Germany's Soundbrenner Pulse Promises Metronome for 21st Century, posted at Cmuse.org, posted on May 30, 2015, [online], [site visited Nov. 7, 2016]. Available from Internet, <URL: <http://www.cmuse.org/germanys-soundbrenner-pulse-promises-metronome-for-21st-century/>>.*

* cited by examiner

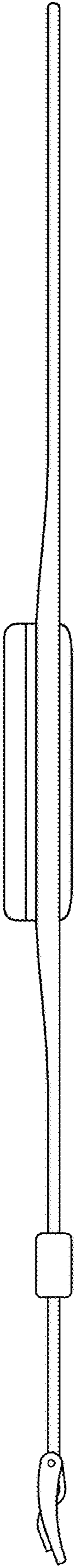


FIG. 1

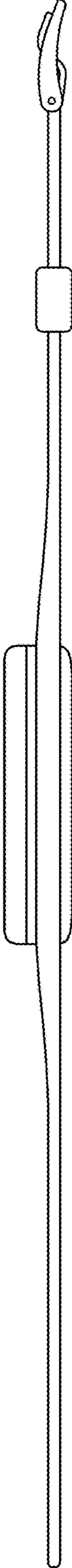


FIG. 2

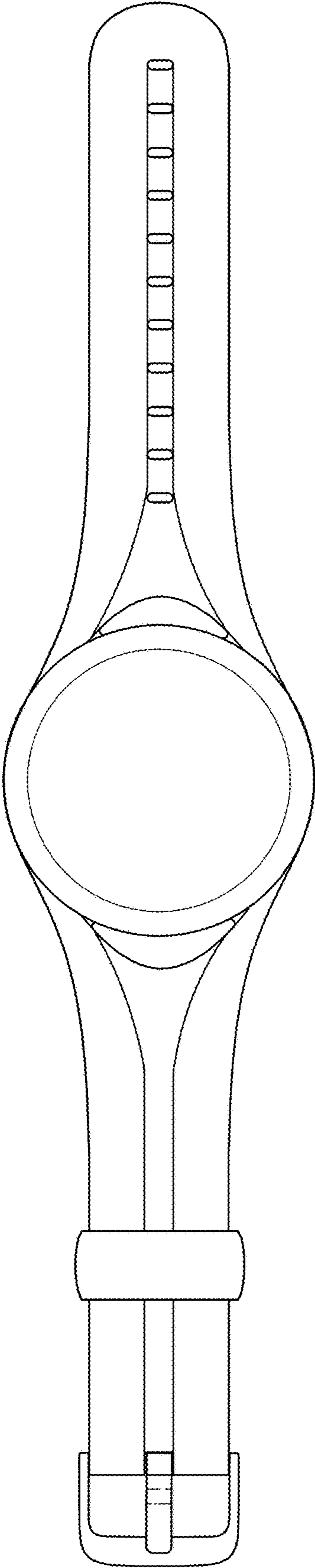


FIG. 3

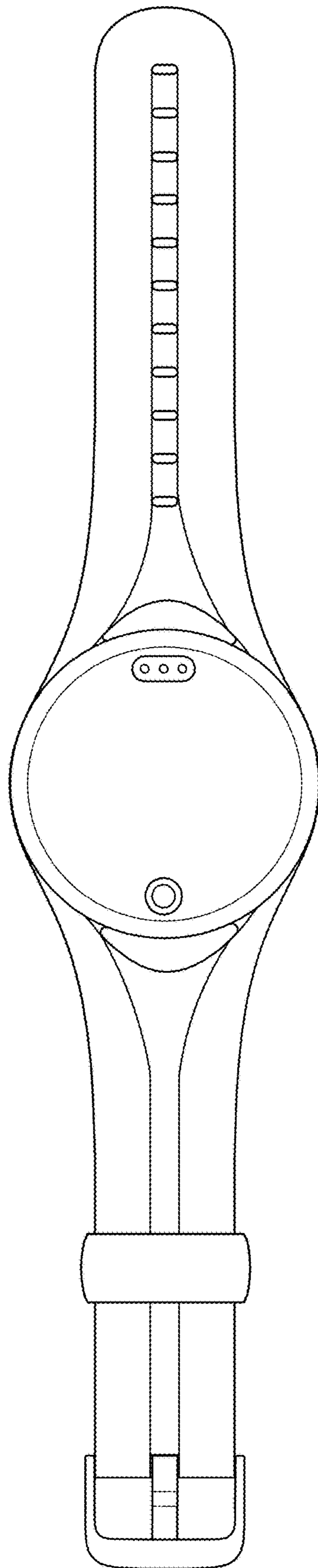


FIG. 4

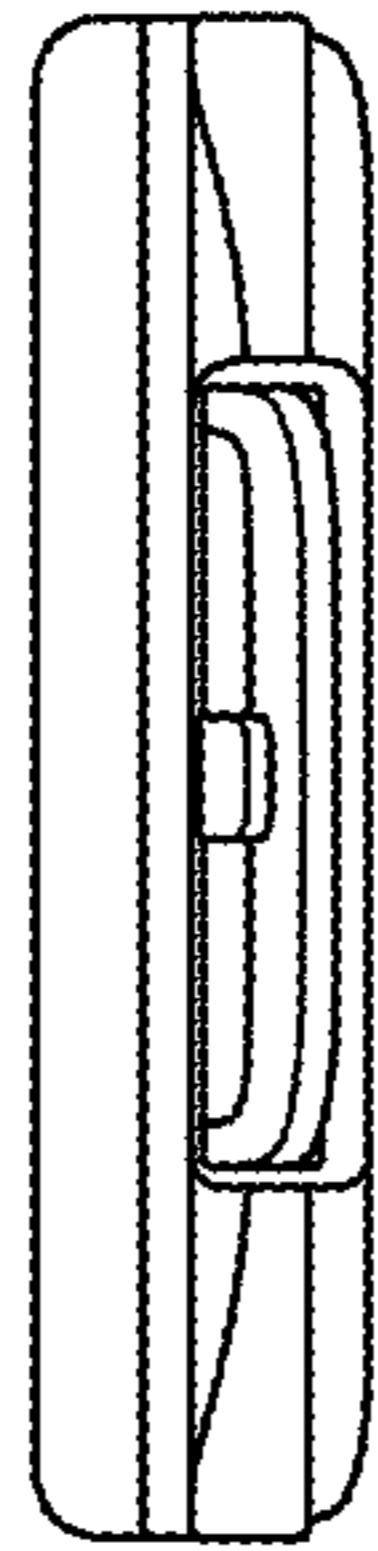


FIG. 5



FIG. 6

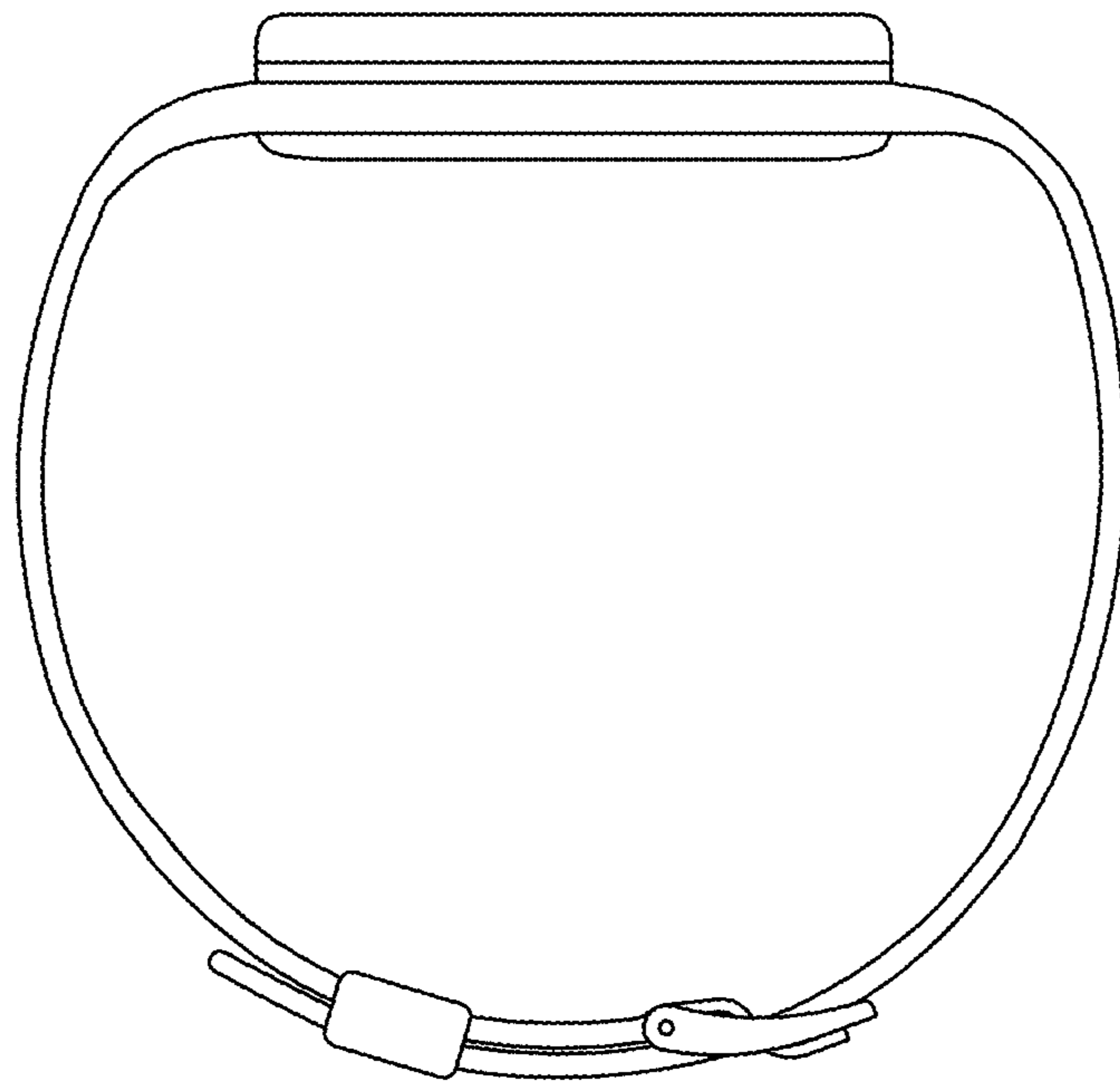


FIG. 7

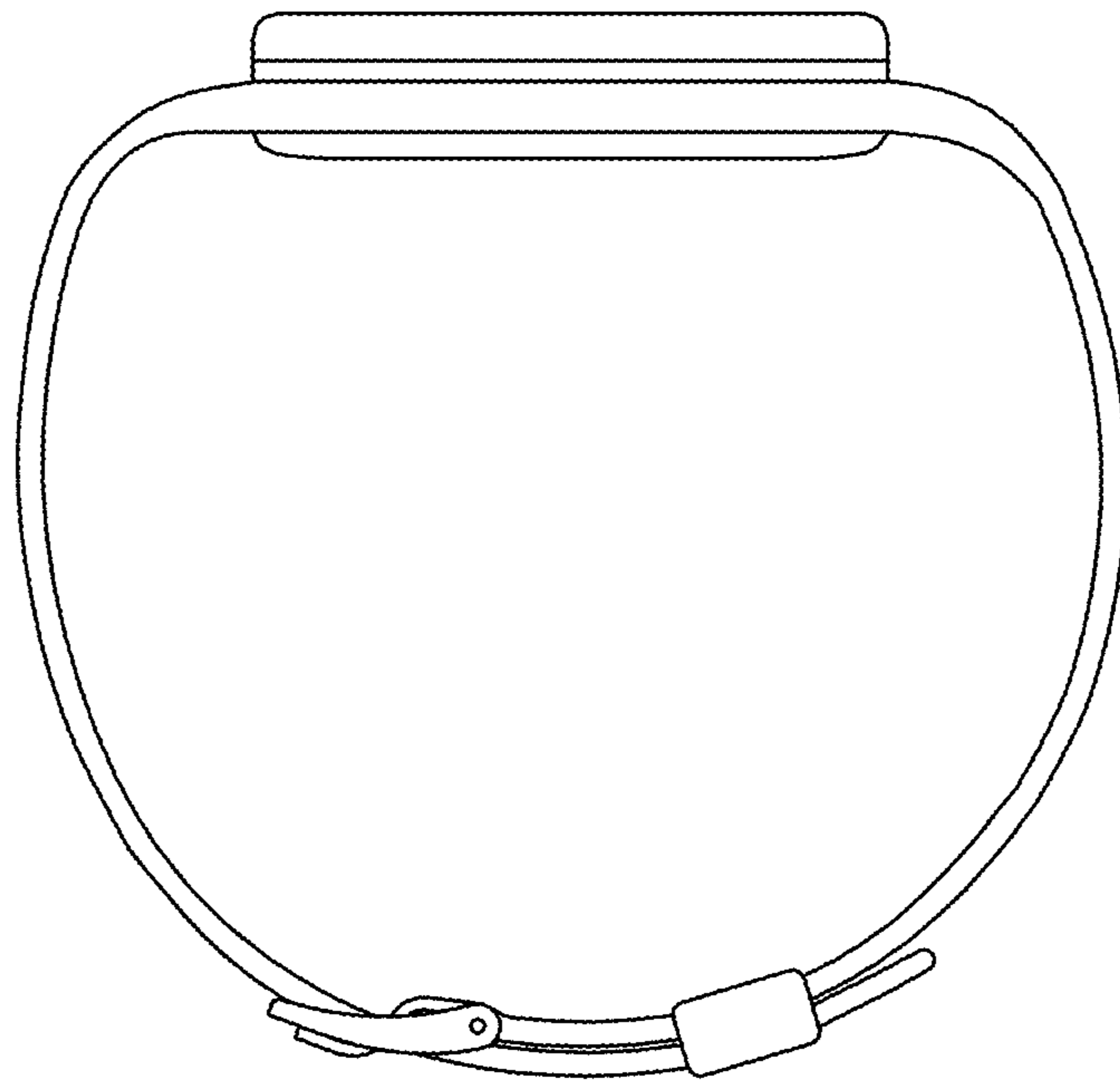


FIG. 8

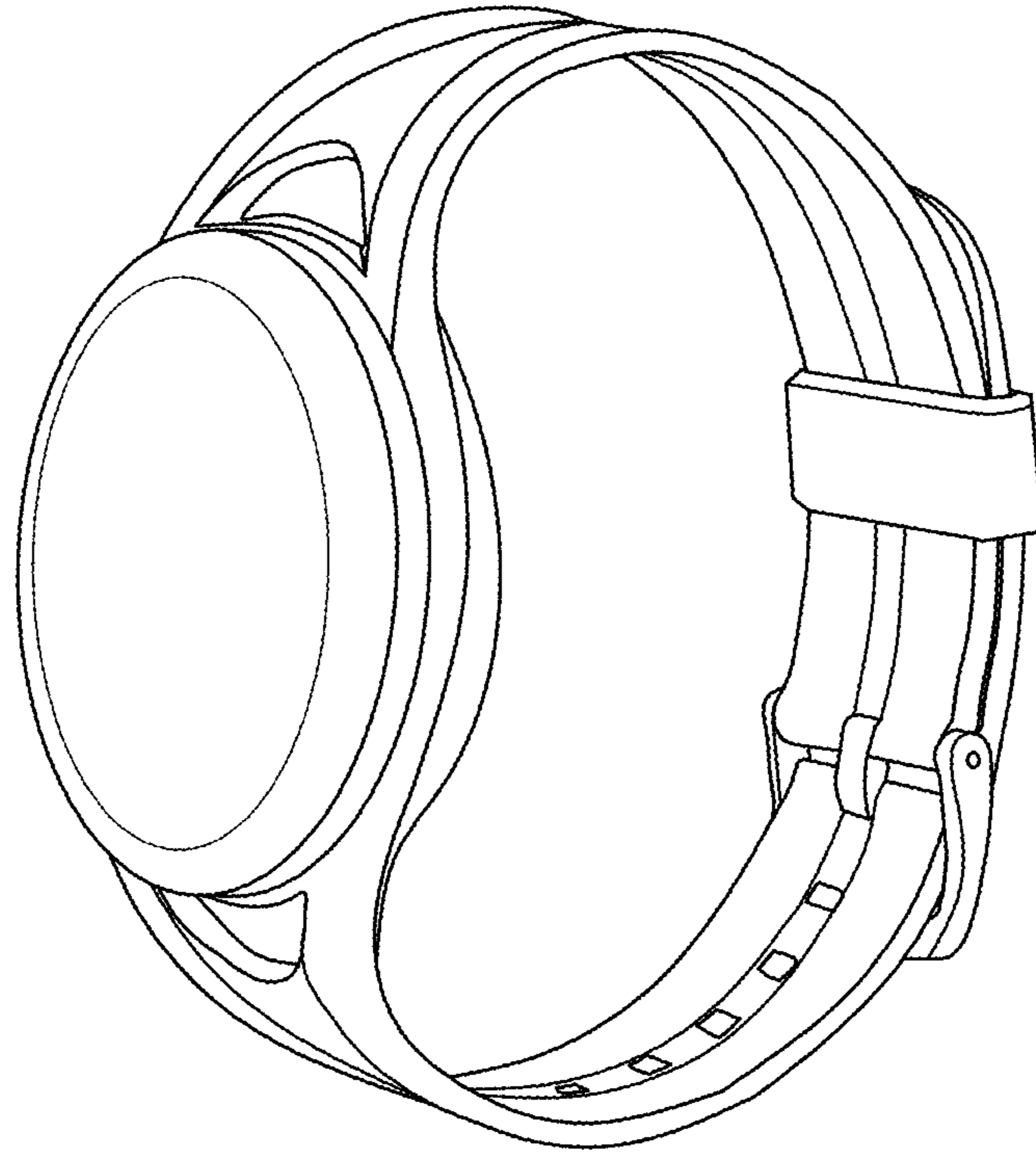


FIG. 9

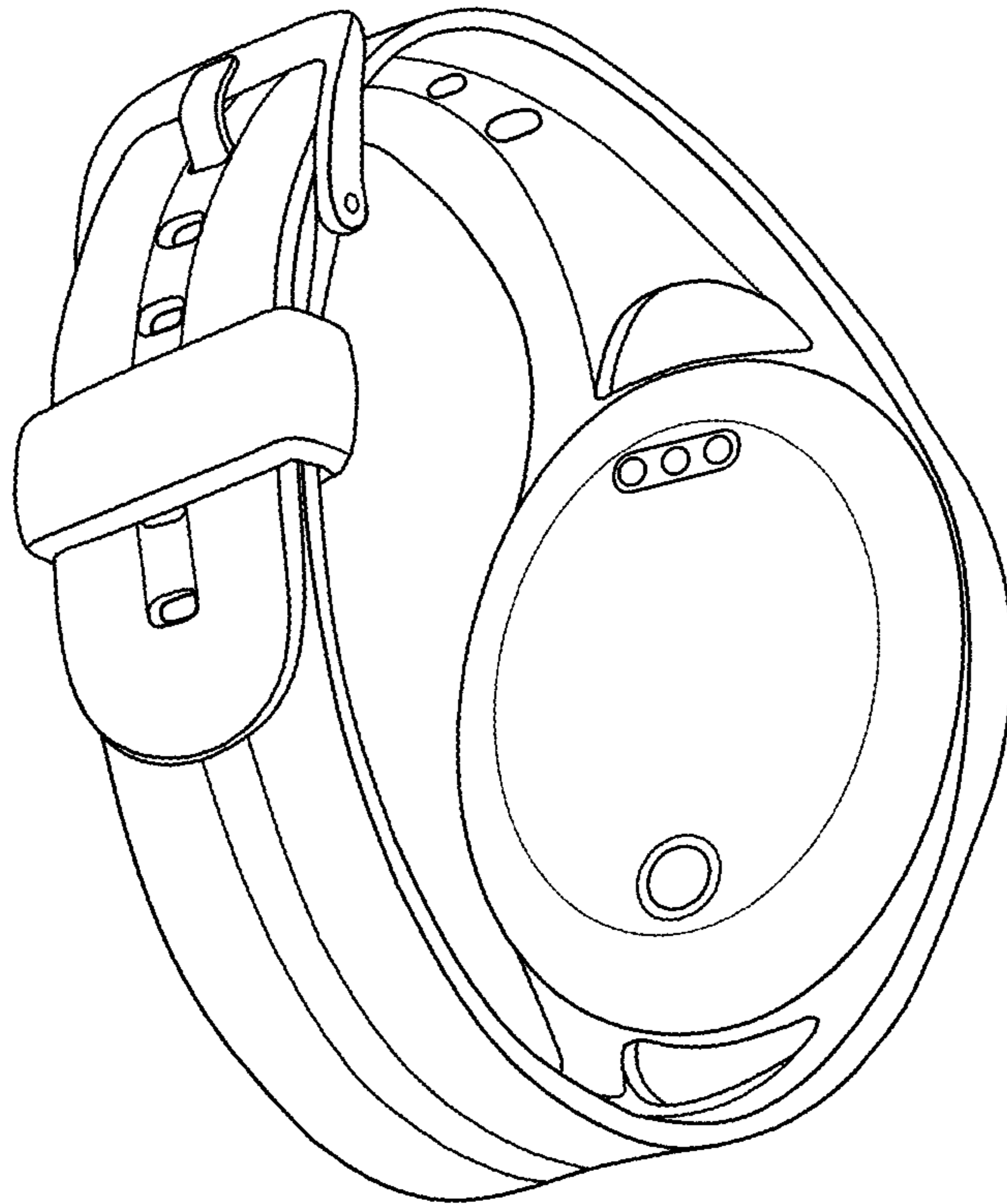


FIG. 10

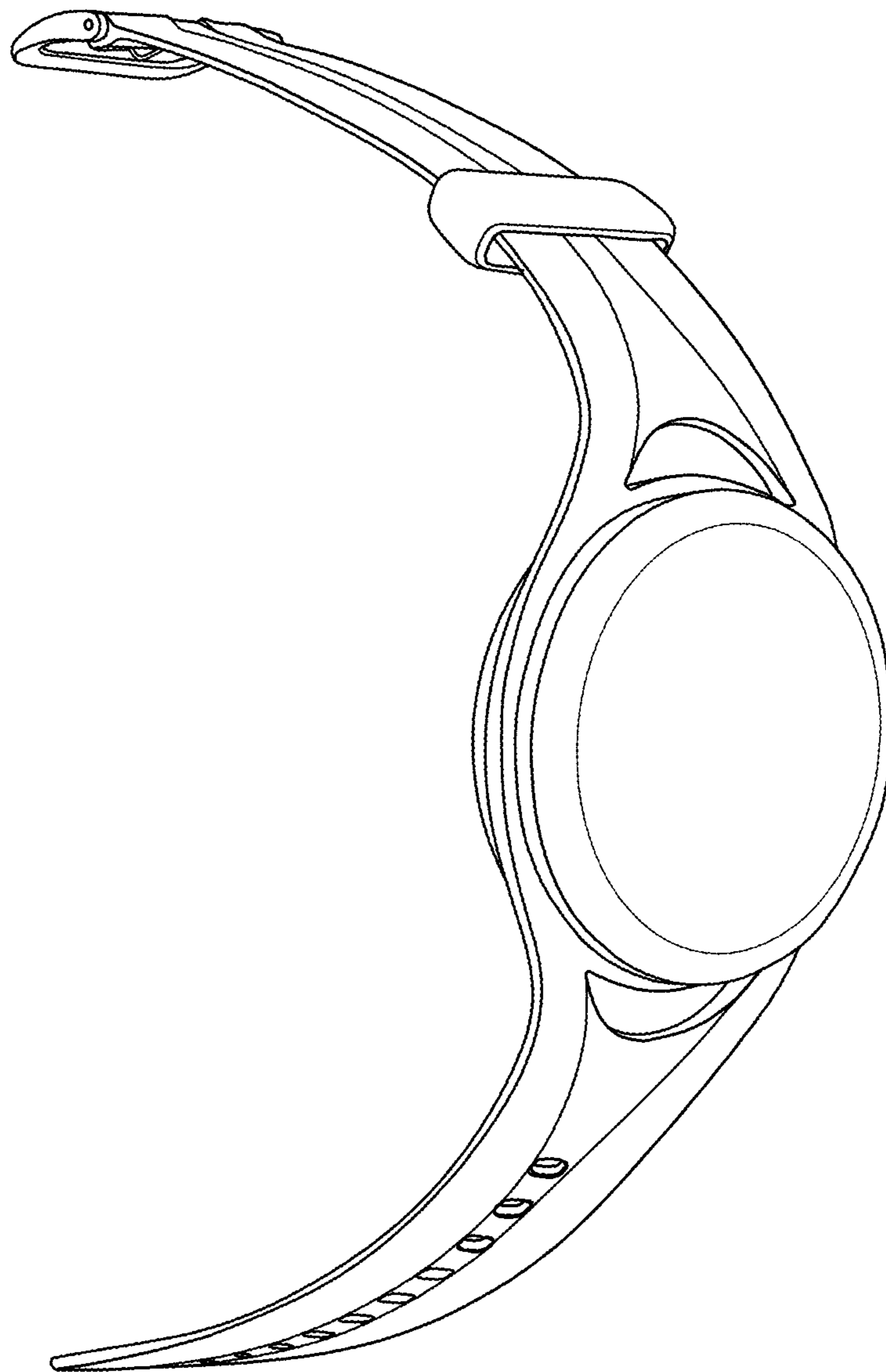


FIG. 11

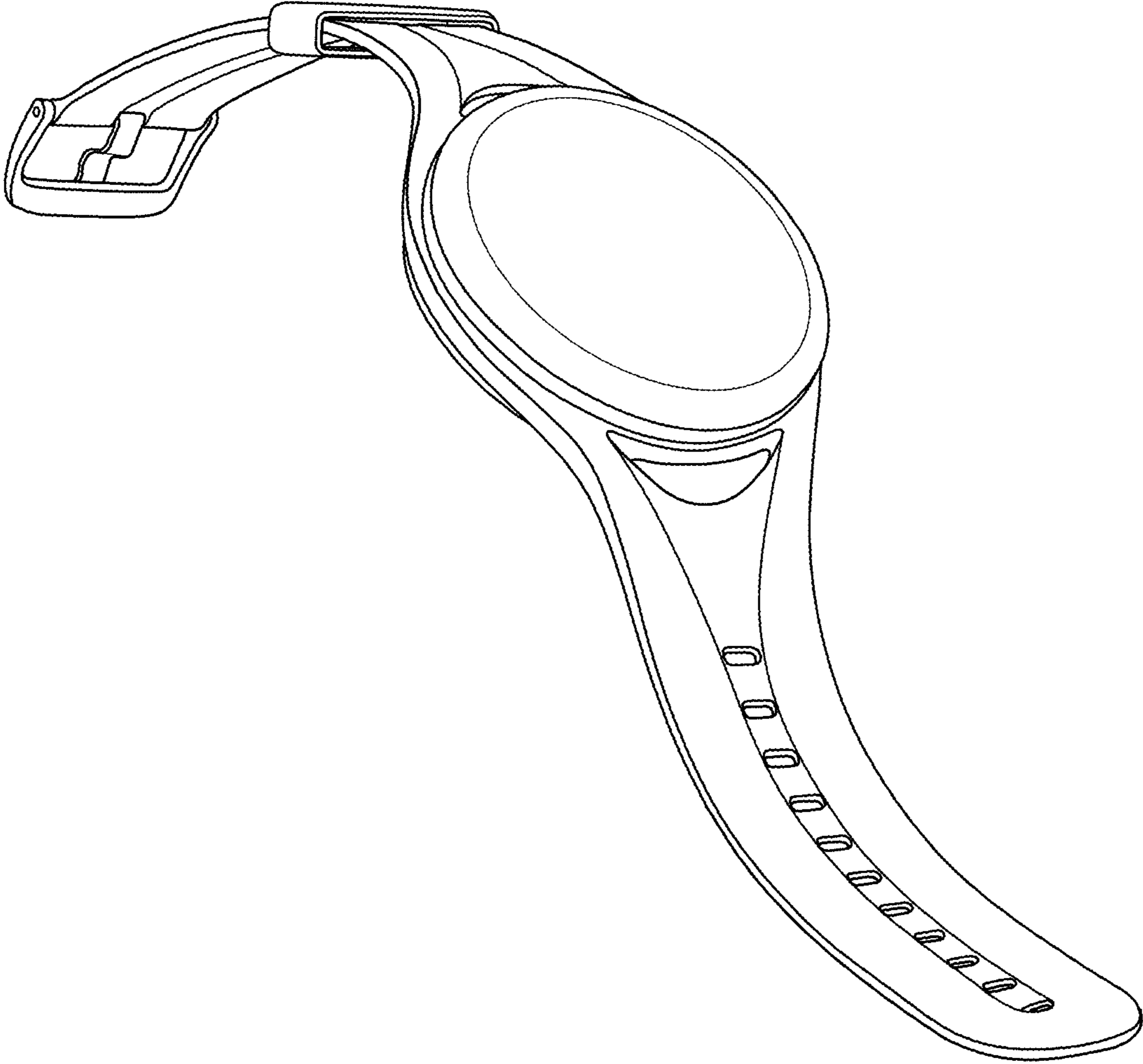


FIG. 12