



US00D798368S

(12) **United States Design Patent** (10) **Patent No.:** **US D798,368 S**  
**Nakajima et al.** (45) **Date of Patent:** **\*\* Sep. 26, 2017**

(54) **CAMERA FIXTURE MOUNT**

(71) Applicant: **Nikon Corporation**, Tokyo (JP)

(72) Inventors: **Mitsuo Nakajima**, Kamakura (JP);  
**Yasuo Kitsugi**, Saitama (JP)

(73) Assignee: **Nikon Corporation**, Tokyo (JP)

(\*\*) Term: **15 Years**

(21) Appl. No.: **29/569,211**

(22) Filed: **Jun. 24, 2016**

(30) **Foreign Application Priority Data**

Dec. 25, 2015 (JP) ..... 2015-028967

(51) **LOC (10) Cl.** ..... **16-05**

(52) **U.S. Cl.**  
USPC ..... **D16/242**

(58) **Field of Classification Search**  
USPC ..... D16/208, 213-219, 235, 237-250;  
D14/217, 229, 250-253; D8/363, 373,  
D8/394

CPC ..... G03B 17/02-17/04; G03B 17/14; G03B  
17/56; G03B 17/561-17/568; G03B  
21/20; G02B 7/00-7/002; F16M 11/02;  
F16M 11/04; F16M 11/20; F16M 11/40  
See application file for complete search history.

(56) **References Cited**

**U.S. PATENT DOCUMENTS**

- D327,868 S \* 7/1992 Oka ..... D13/110
- D589,998 S \* 4/2009 Ollila ..... D16/242
- D697,570 S 1/2014 Samuels
- D700,825 S \* 3/2014 Furling ..... D8/354
- D709,445 S \* 7/2014 Yeh ..... D13/107
- D710,927 S \* 8/2014 Eynav ..... D16/237
- D765,063 S \* 8/2016 Wengreen ..... D14/238.1
- D768,755 S \* 10/2016 Thomas ..... D16/242
- D770,377 S \* 11/2016 Kondo ..... D13/103

- D785,072 S \* 4/2017 Taylor ..... D16/242
- 2015/0053841 A1 \* 2/2015 Terajima ..... G02B 27/646  
248/638
- 2015/0177597 A1 \* 6/2015 Harrison ..... G03B 17/561  
396/419

(Continued)

**OTHER PUBLICATIONS**

Aluminum GoPro Shoe Strap Tripod Mount. [online] published date unknown. Retrieved on May 15, 2017 from <URL: <http://www.chutingstar.com/aluminum-gopro-strap-mount>>.\*

(Continued)

*Primary Examiner* — Vy Koenig

*Assistant Examiner* — Omeed Agilee

(74) *Attorney, Agent, or Firm* — Wolf, Greenfield & Sacks, P.C.

(57) **CLAIM**

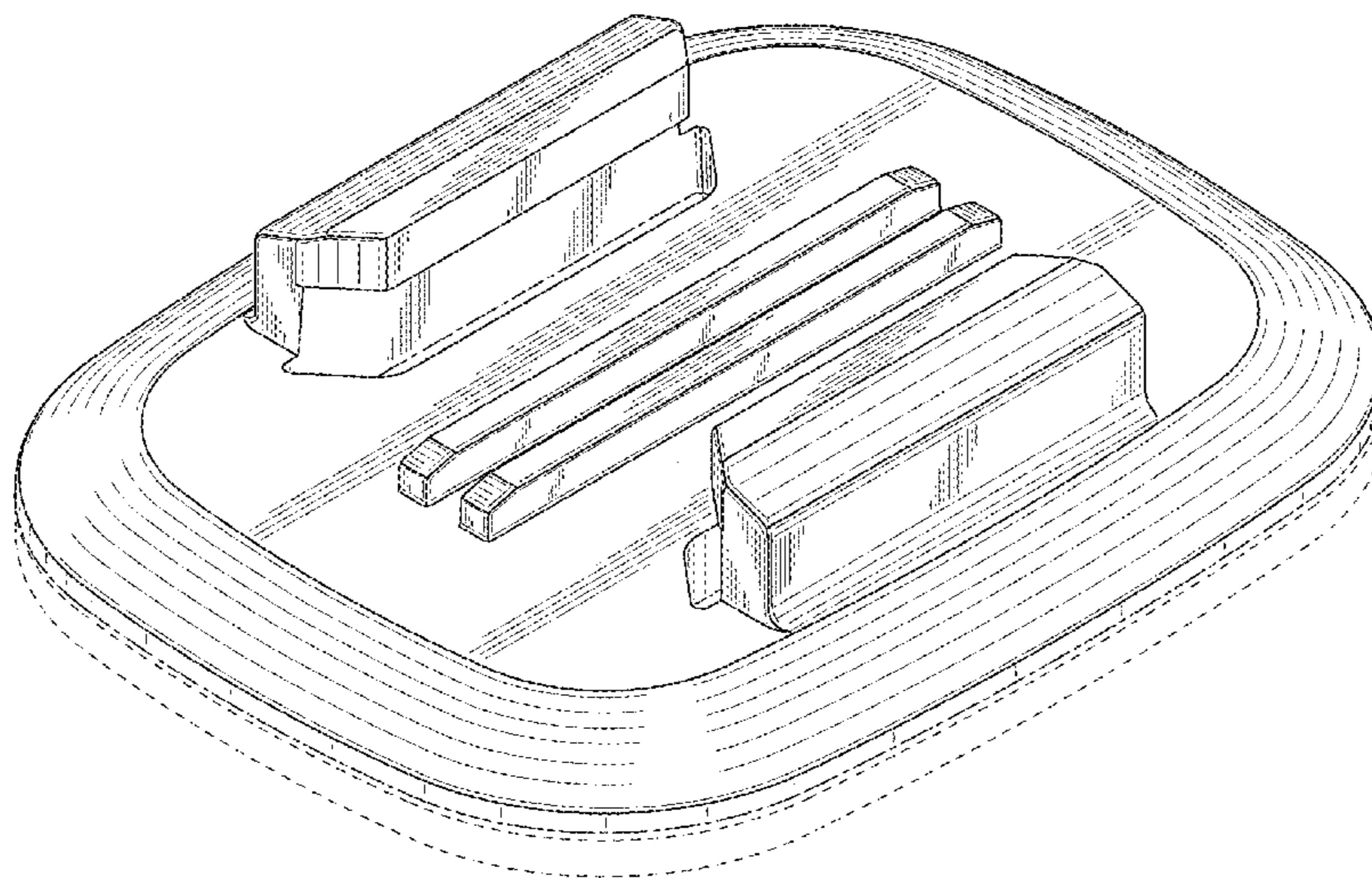
The ornamental design for a camera fixture mount, as shown and described.

**DESCRIPTION**

FIG. 1 is a front, top and right side perspective view of a camera fixture mount showing our new design; FIG. 2 is a rear, bottom and left side perspective view thereof; FIG. 3 is a front elevational view thereof, the rear elevational view being identical to FIG. 3; FIG. 4 is a top plan view thereof; FIG. 5 is a right side elevational view thereof, the left side elevational view being identical to FIG. 5; and, FIG. 6 is a cross-sectional view taken along line 6-6 in FIG. 4.

The broken lines illustrate portions of the camera fixture mount that form no part of the claimed design. The dash-dotted lines denote the boundary of the claim and form no part of the claimed design.

**1 Claim, 6 Drawing Sheets**



(56)

**References Cited**

U.S. PATENT DOCUMENTS

2015/0267858 A1\* 9/2015 Schorman ..... F16M 11/048  
248/309.1

OTHER PUBLICATIONS

AA-10 Backpack Mount Clip. [online] published date unknown.  
Retrieved on May 15, 2017 from <URL: [https://www.nikonusa.com/en/nikon-products/product/mounts/aa-10-backpack-mount-clip.html?icid=action\\_acc:learn:na:action\\_acc:a11:091916:everyday\\_acc](https://www.nikonusa.com/en/nikon-products/product/mounts/aa-10-backpack-mount-clip.html?icid=action_acc:learn:na:action_acc:a11:091916:everyday_acc)>.\*

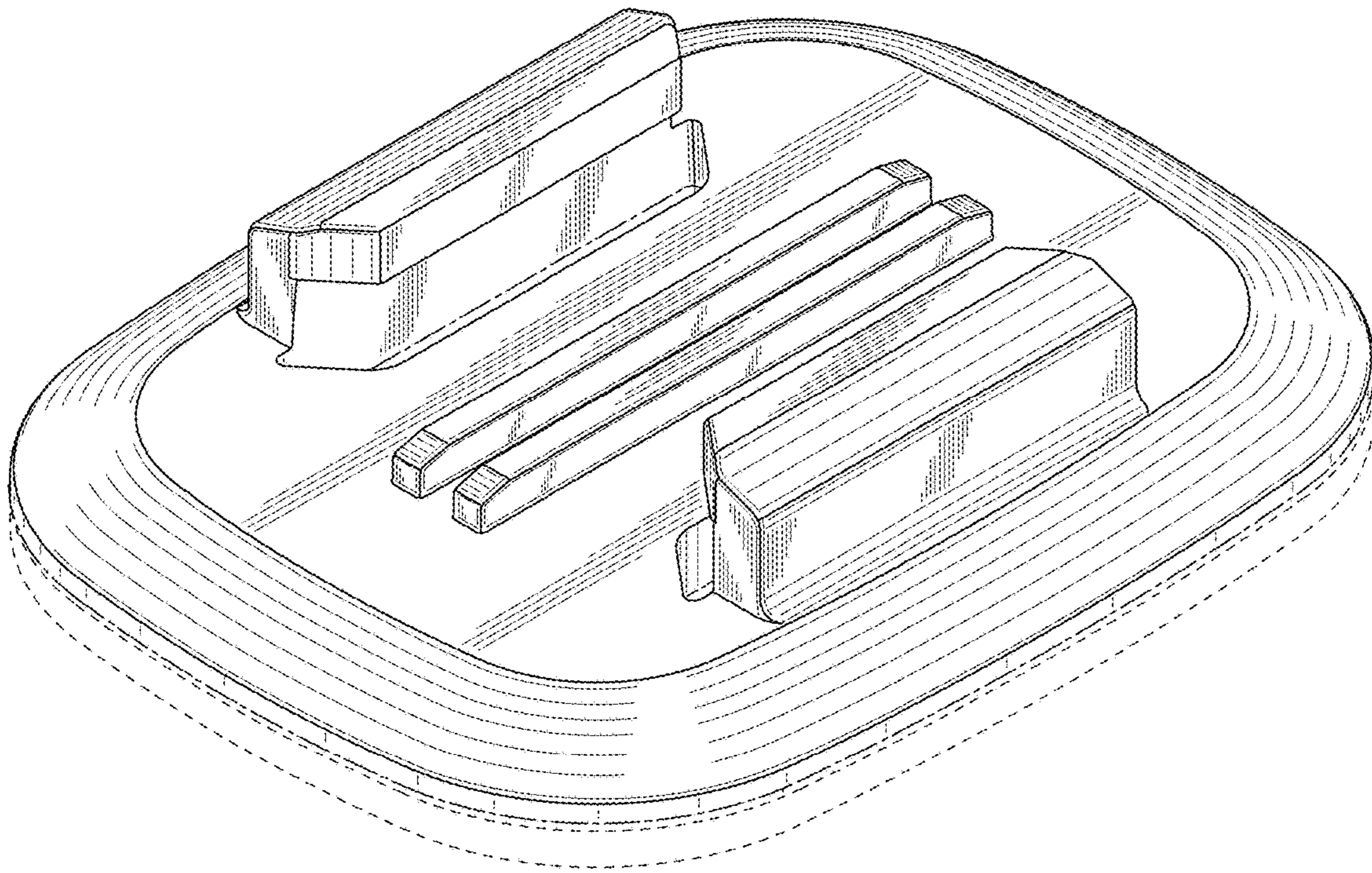
Flat Square Table Shoe Mount Camera Display Stand Kit for GoPro Hero 4 3+ 3 2 1 Camera. [online] published date unknown.  
Retrieved on May 15, 2017 from <URL: <http://www.hsuglobal.com/sale-7703862-flat-square-table-shoe-mount-camera-display-stand-kit-for-gopro-hero-4-3-3-2-1-camera.html>>.\*

Nikon Base Mount Set for Key Mission Base Adapters. [online] Published date unknown. Retrieved on May 25, 2017 from URL: [https://www.bhphotovideo.com/bnh/controller/home?A=details&O=&Q=&ap=y&c3api=1876%2C%7Bcreative%7D%2C%7Bkeyword%7D&gclid=CjwKEAjwu4\\_JBRDpgs2RwsCbt1MSJABOY8anAzsIRdjirKWRml3gjylhju2An yJrikK\\_mJzWMUjhtRoCcsvw\\_wcB&is=REG&m=Y&sku=1281490](https://www.bhphotovideo.com/bnh/controller/home?A=details&O=&Q=&ap=y&c3api=1876%2C%7Bcreative%7D%2C%7Bkeyword%7D&gclid=CjwKEAjwu4_JBRDpgs2RwsCbt1MSJABOY8anAzsIRdjirKWRml3gjylhju2An yJrikK_mJzWMUjhtRoCcsvw_wcB&is=REG&m=Y&sku=1281490).\*

[No Author Listed]. "GoPro HD Hero Camera Review." Posted Jan. 26, 2011. VerticalScope Inc. Accessed online: <http://dirtbike.off-road.com/trucks-4x4/review/53137.html>. Last accessed: Jun. 14, 2016, pp. 1-5.

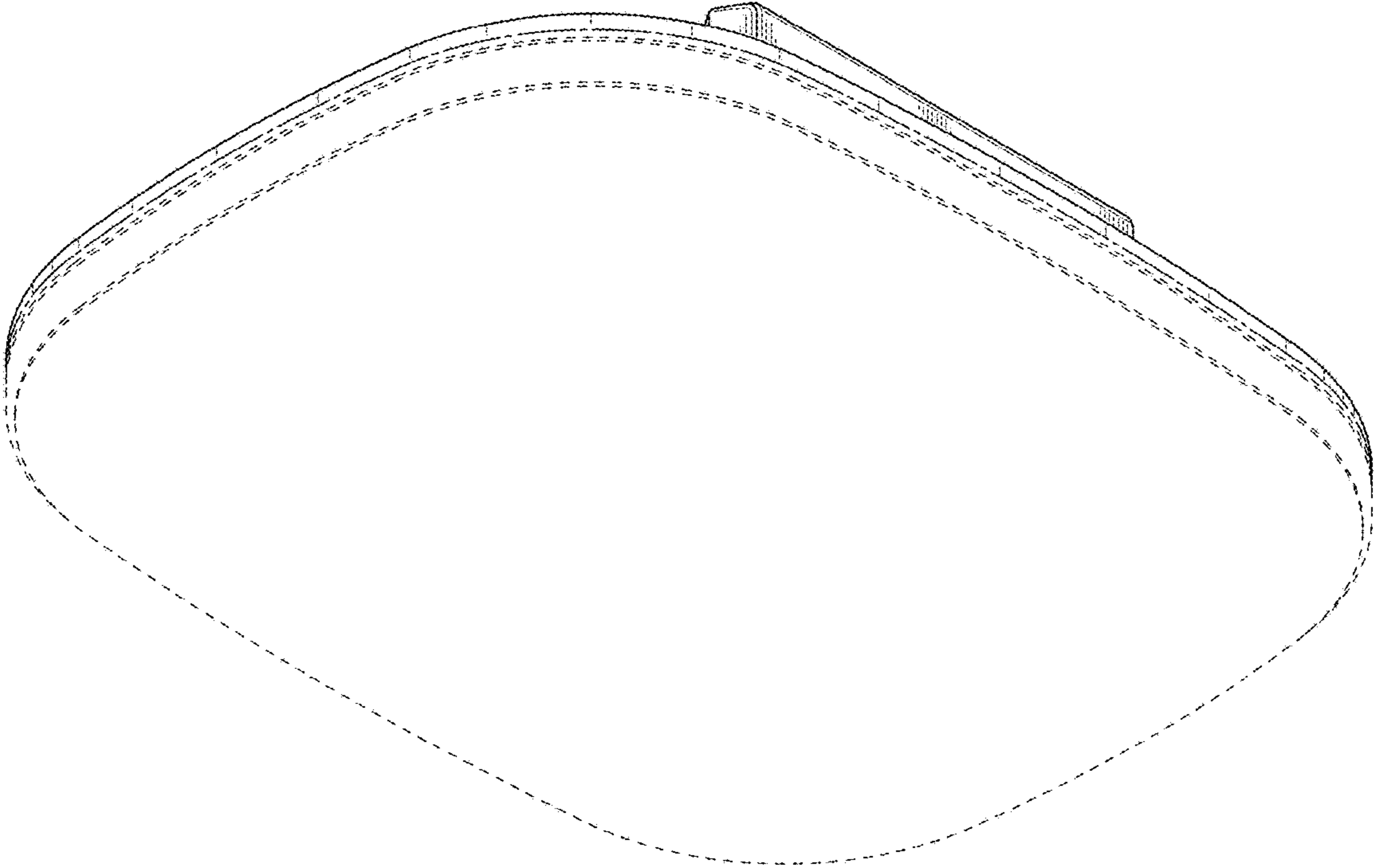
\* cited by examiner

*FIG. 1*

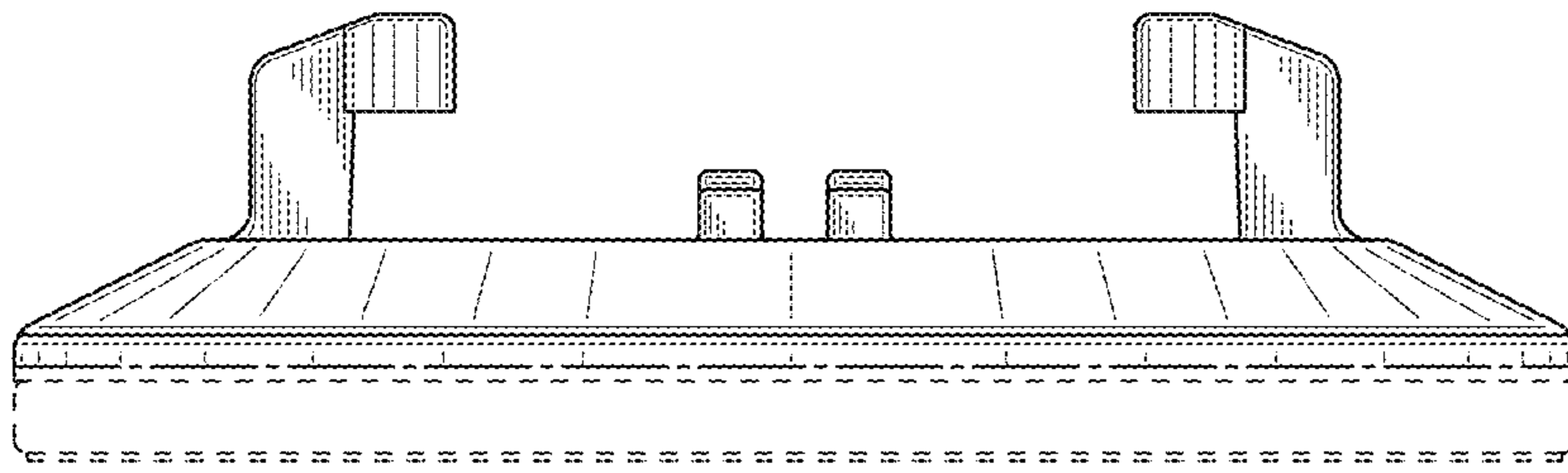




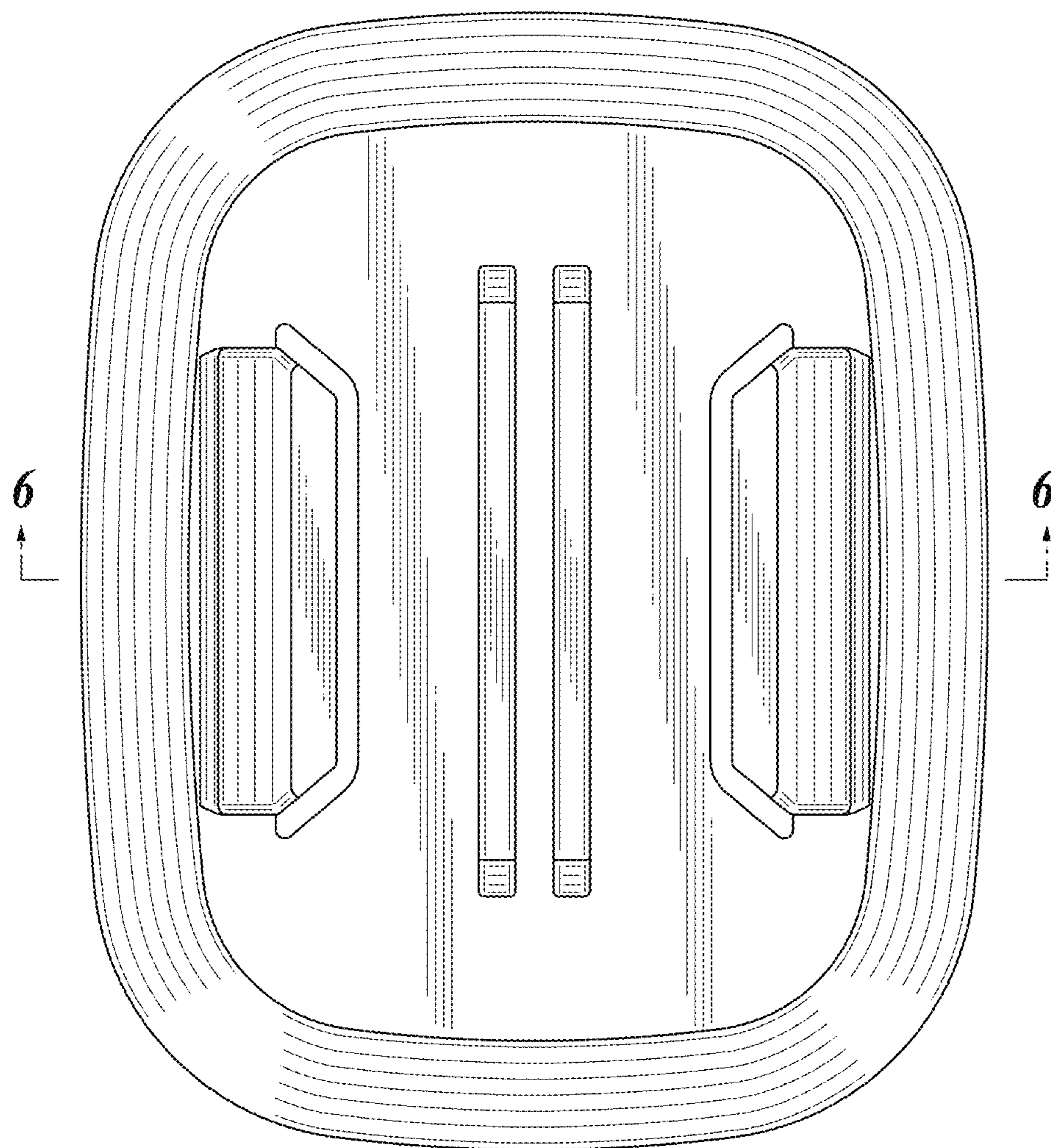
*FIG. 2*



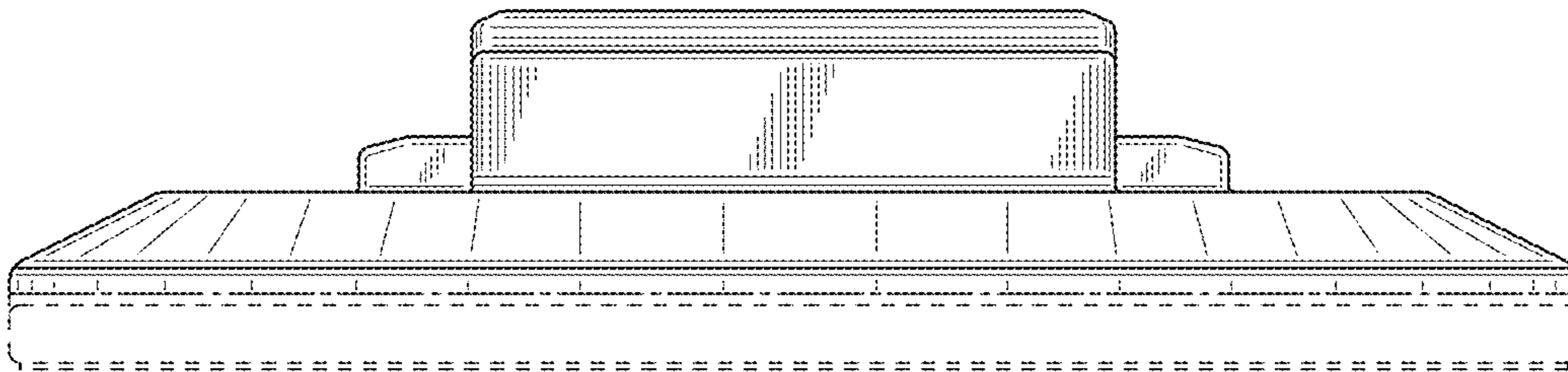
***FIG. 3***



**FIG. 4**



***FIG. 5***



***FIG. 6***

