



US00D798367S

(12) **United States Design Patent**
Nakajima et al.

(10) **Patent No.:** **US D798,367 S**

(45) **Date of Patent:** **** Sep. 26, 2017**

(54) **CAMERA FIXTURE MOUNT**

(71) Applicant: **Nikon Corporation**, Tokyo (JP)

(72) Inventors: **Mitsuo Nakajima**, Kamakura (JP);
Yasuo Kitsugi, Saitama (JP)

(73) Assignee: **Nikon Corporation**, Tokyo (JP)

(**) Term: **15 Years**

(21) Appl. No.: **29/569,137**

(22) Filed: **Jun. 23, 2016**

(30) **Foreign Application Priority Data**

Dec. 25, 2015 (JP) 2015-028962

(51) **LOC (10) Cl.** **16-05**

(52) **U.S. Cl.**
USPC **D16/242**

(58) **Field of Classification Search**
USPC D16/208, 213–219, 235, 237–250;
D14/217, 229, 250–253; D8/363, 373,
D8/394
CPC G03B 17/02–17/04; G03B 17/14; G03B
17/56; G03B 17/561–17/568; G03B
21/20; G02B 7/00–7/002; F16M 11/02;
F16M 11/04; F16M 11/20; F16M 11/40
See application file for complete search history.

(56) **References Cited**

U.S. PATENT DOCUMENTS

D327,868 S * 7/1992 Oka D13/110
D589,998 S * 4/2009 Ollila D16/242
D697,570 S 1/2014 Samuels
D700,825 S * 3/2014 Furling D8/354
D709,445 S * 7/2014 Yeh D13/107
D710,927 S * 8/2014 Eynav D16/237
D765,063 S * 8/2016 Wengreen D14/238.1
D768,755 S * 10/2016 Thomas D16/242
D770,377 S * 11/2016 Kondo D13/103

D785,072 S * 4/2017 Taylor D16/242
2015/0053841 A1 * 2/2015 Terajima G02B 27/646
248/638
2015/0177597 A1 * 6/2015 Harrison G03B 17/561
396/419
2015/0267858 A1 * 9/2015 Schorman F16M 11/048
248/309.1

OTHER PUBLICATIONS

Aluminum GoPro Shoe Strap Tripod Mount. [online] published date unknown. Retrieved on May 15, 2017 from <URL: <http://www.chutingstar.com/aluminum-gopro-strap-mount>>.*

(Continued)

Primary Examiner — Vy Koenig

Assistant Examiner — Omeed Agilee

(74) *Attorney, Agent, or Firm* — Wolf, Greenfield & Sacks, P.C.

(57) **CLAIM**

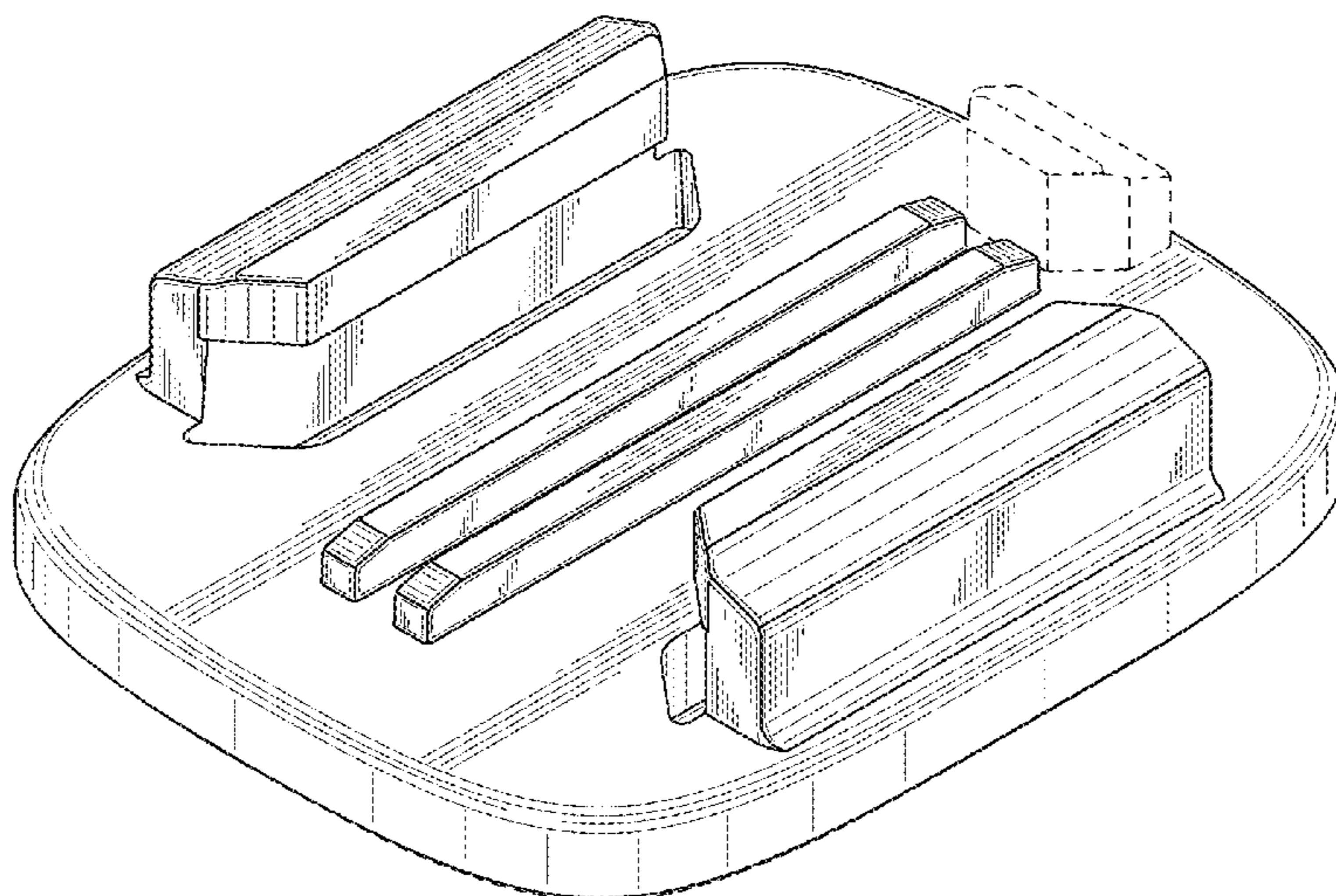
The ornamental design for a camera fixture mount, as shown and described.

DESCRIPTION

FIG. 1 is a front, top and right side perspective view of a camera fixture mount showing our new design;
FIG. 2 is a rear, bottom and left side perspective view thereof;
FIG. 3 is a front elevational view thereof;
FIG. 4 is a rear elevational view thereof;
FIG. 5 is a top plan view thereof;
FIG. 6 is a bottom plan view thereof;
FIG. 7 is a right side elevational view thereof, the left side elevational view being a mirror image of FIG. 7; and,
FIG. 8 is a cross-sectional view taken along line 8-8 in FIG. 5.

The broken lines illustrate portions of the camera fixture mount that form no part of the claimed design.

1 Claim, 8 Drawing Sheets



(56)

References Cited

OTHER PUBLICATIONS

AA-10 Backpack Mount Clip. [online] published date unknown. Retrieved on May 15, 2017 from <URL: https://www.nikonusa.com/en/nikon-products/product/mounts/aa-10-backpack-mount-clip.html?icid=action_acc:learn:na:action_acc:all:091916:everyday_acc>.*

Flat Square Table Shoe Mount Camera Display Stand Kit for GoPro Hero 4 3+ 3 2 1 Camera. [online] published date unknown. Retrieved on May 15, 2017 from <URL: <http://www.hsuglobal.com/sale-7703862-flat-square-table-shoe-mount-camera-display-stand-kit-for-gopro-hero-4-3-3-2-1-camera.html>>.*

Nikon Base Mount Set for Key Mission Base Adapters. [online] Published date unknown. Retrieved on May 25, 2017 from URL: https://www.bhphotovideo.com/bnh/controller/home?A=details&O=&Q=&ap=y&c3api=1876%2C%7Bcreative%7D%2C%7Bkeyword%7D&gclid=CjwKEAjwu4_JBRDpgs2RwsCbt1MSJABOY8anAzsIRdjirKWRml3gjylhju2AnvJrikK_mJzWMUjhtRoCcsvw_wcB&is=REG&m=Y&sku=1281490.*

[No Author Listed]. "GoPro HD Hero Camera Review." Posted Jan. 26, 2011. VerticalScope Inc. Accessed online: <http://dirtbike.off-road.com/trucks-4x4/review/53137.html>. Last accessed: Jun. 14, 2016, pp. 1-5.

* cited by examiner

FIG. 1

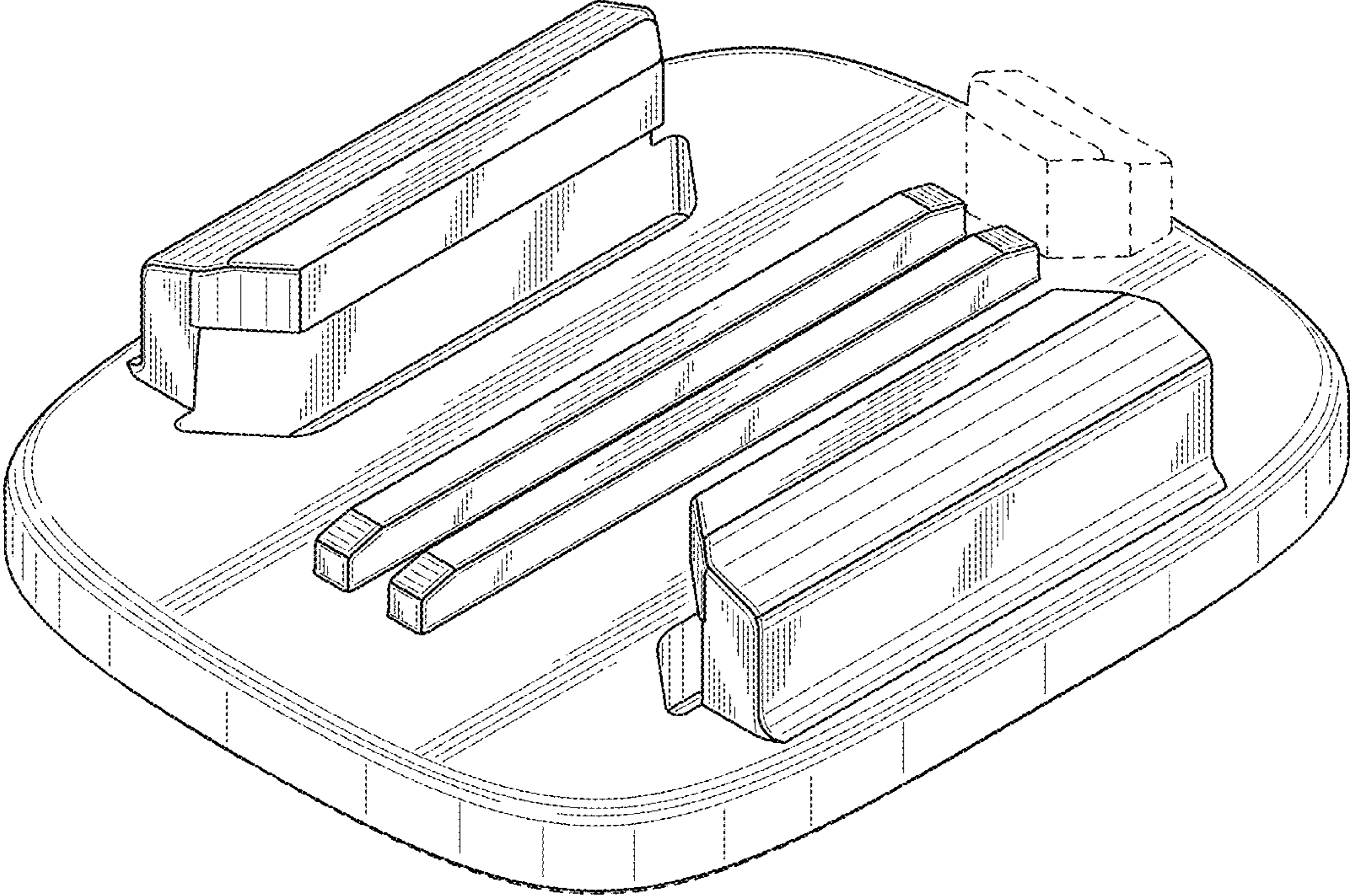


FIG. 2

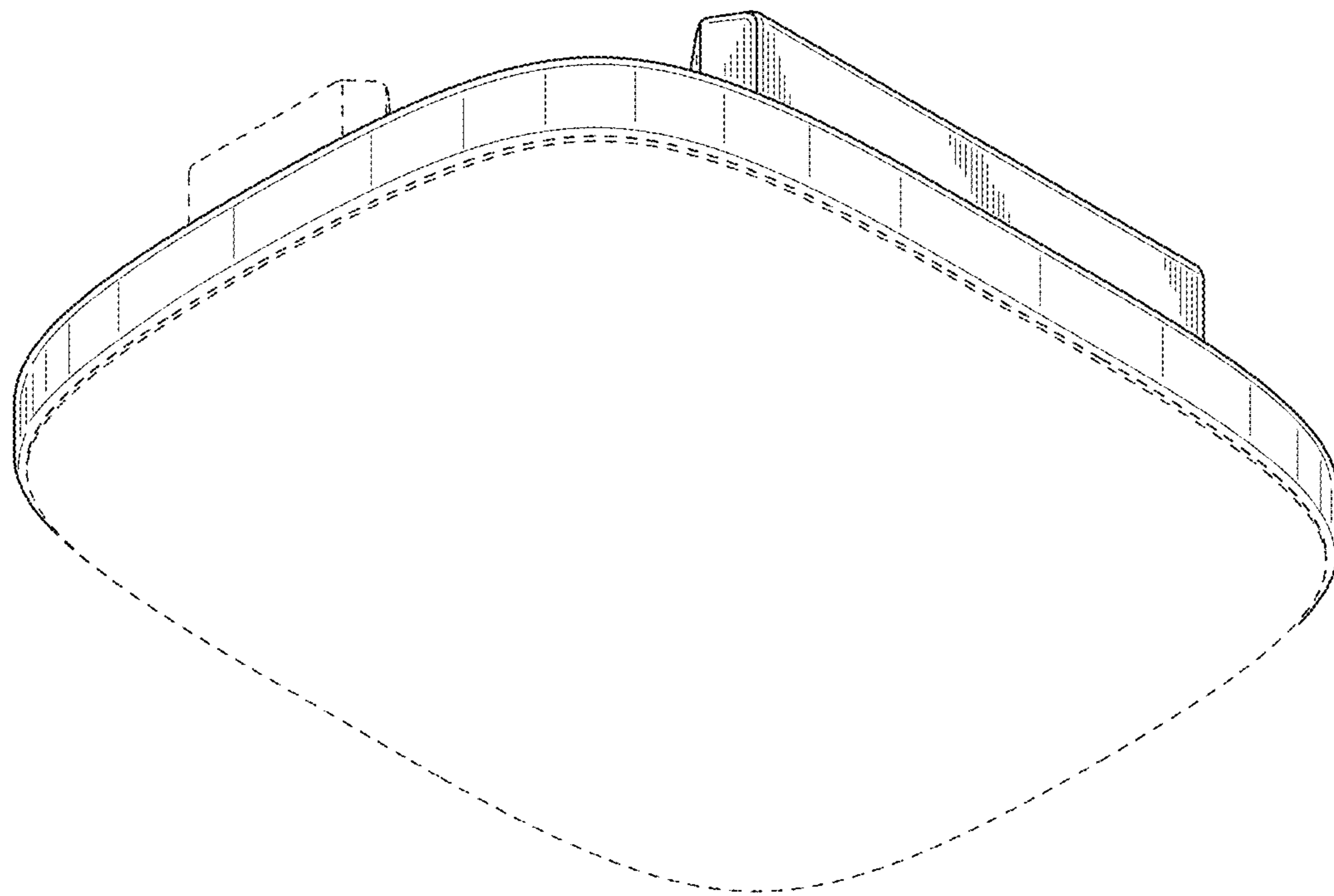


FIG. 3

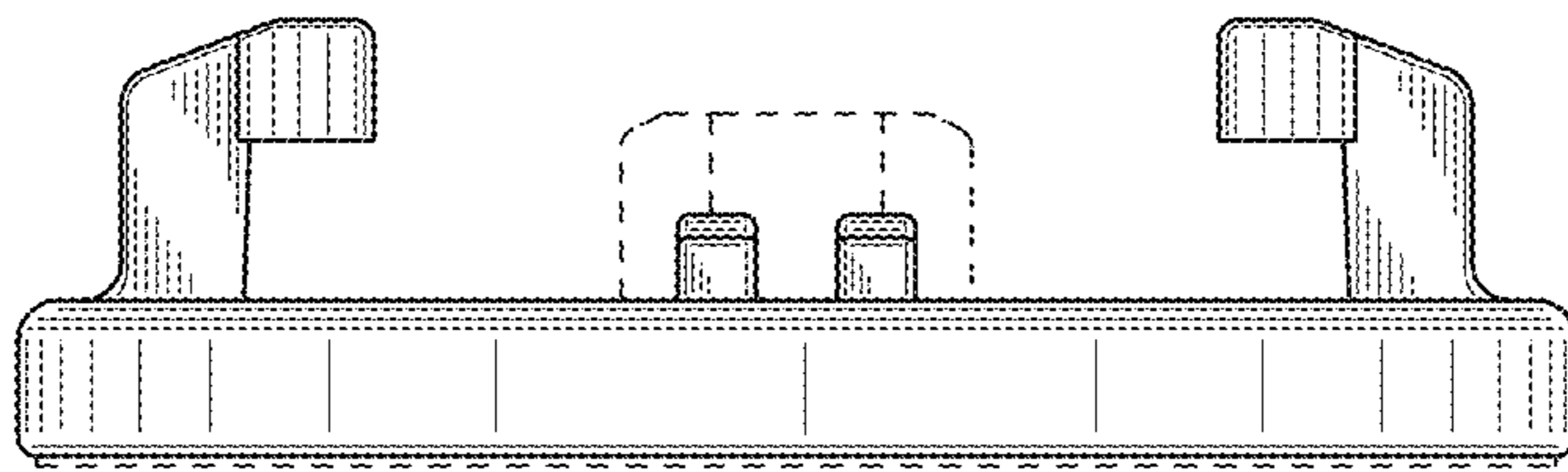


FIG. 4

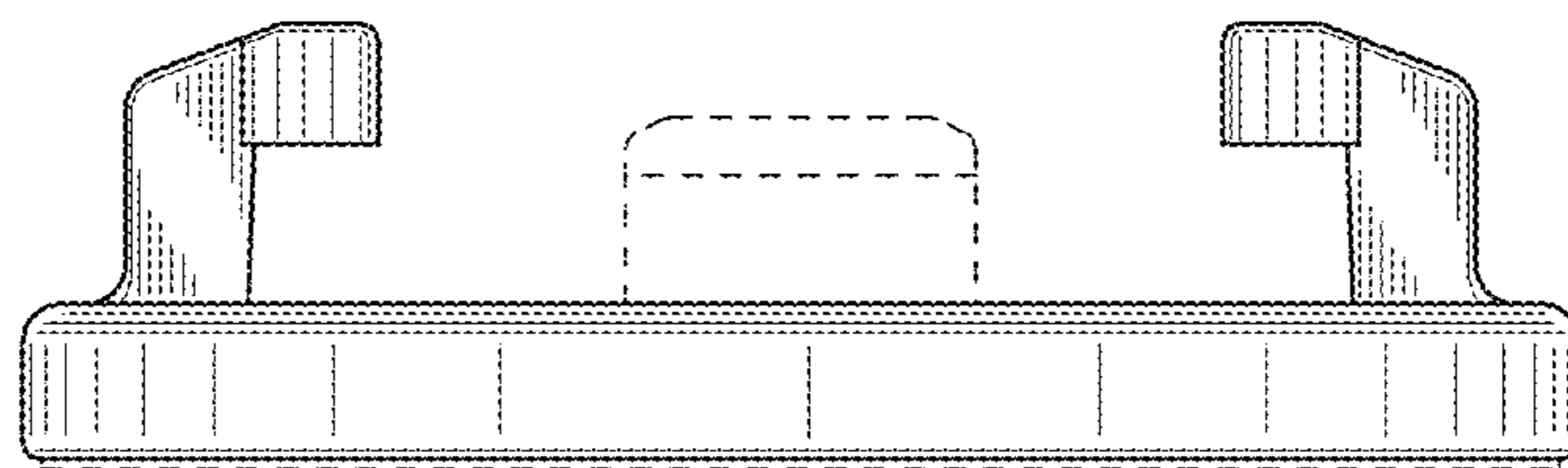


FIG. 5

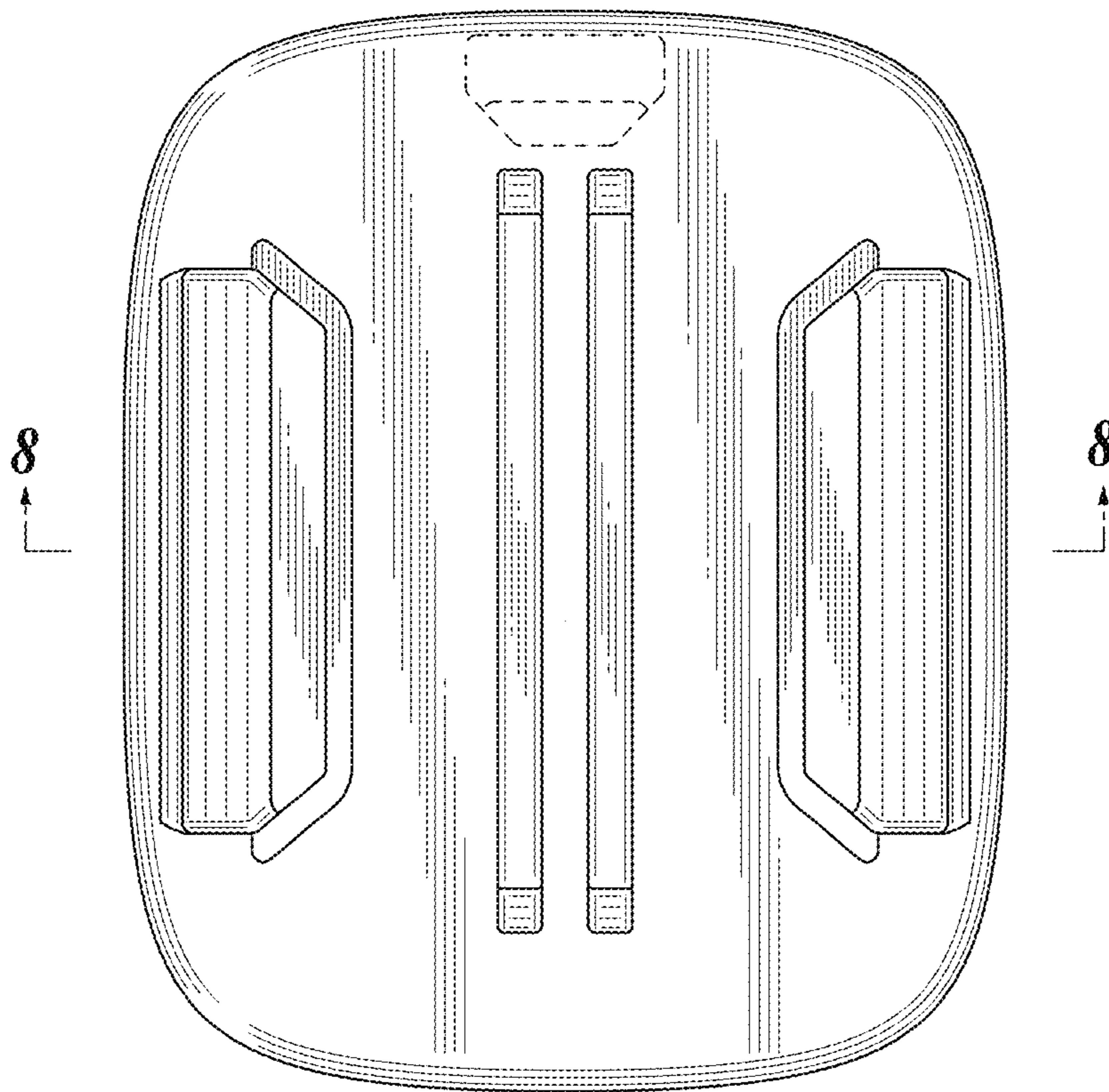


FIG. 6

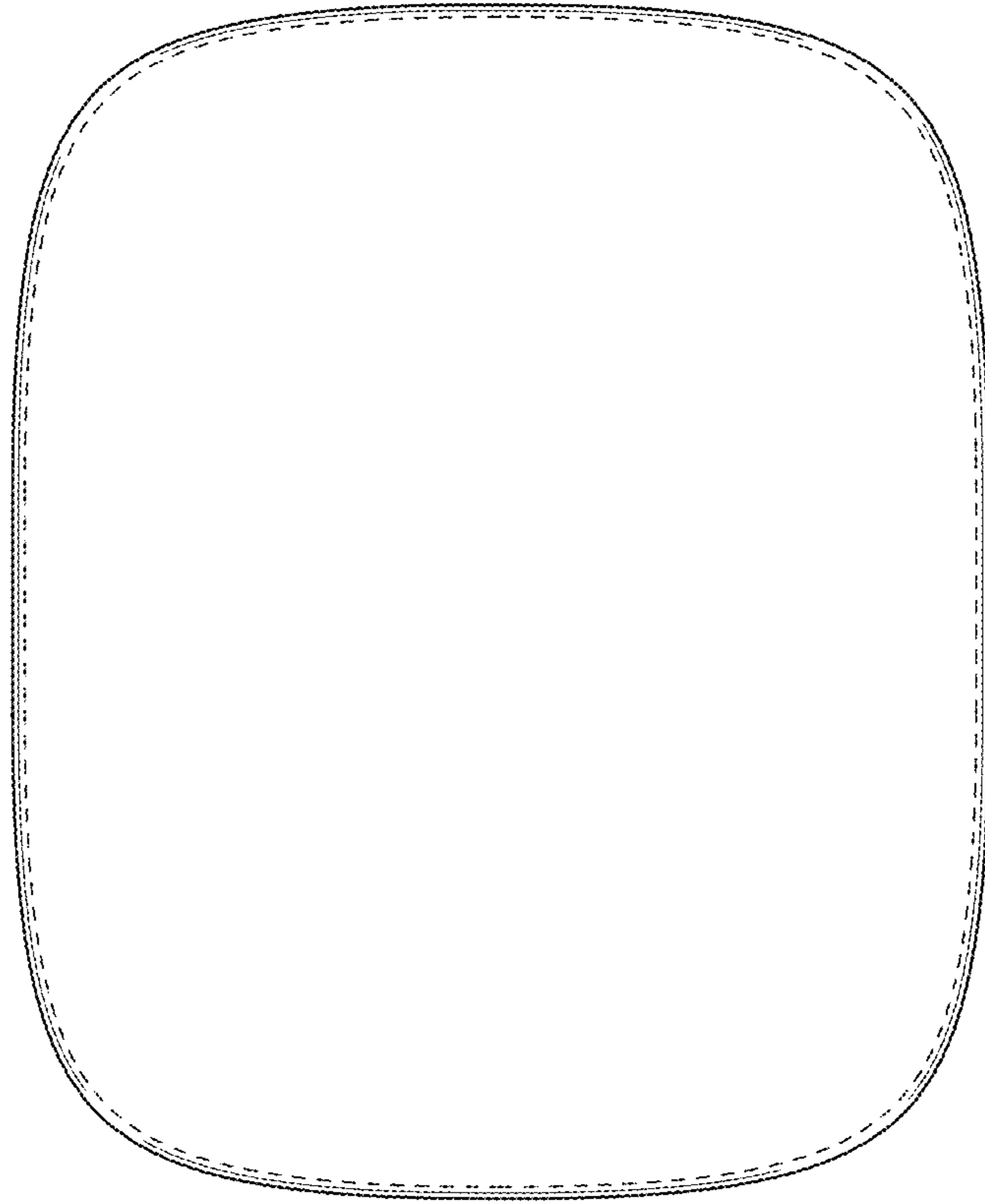


FIG. 7

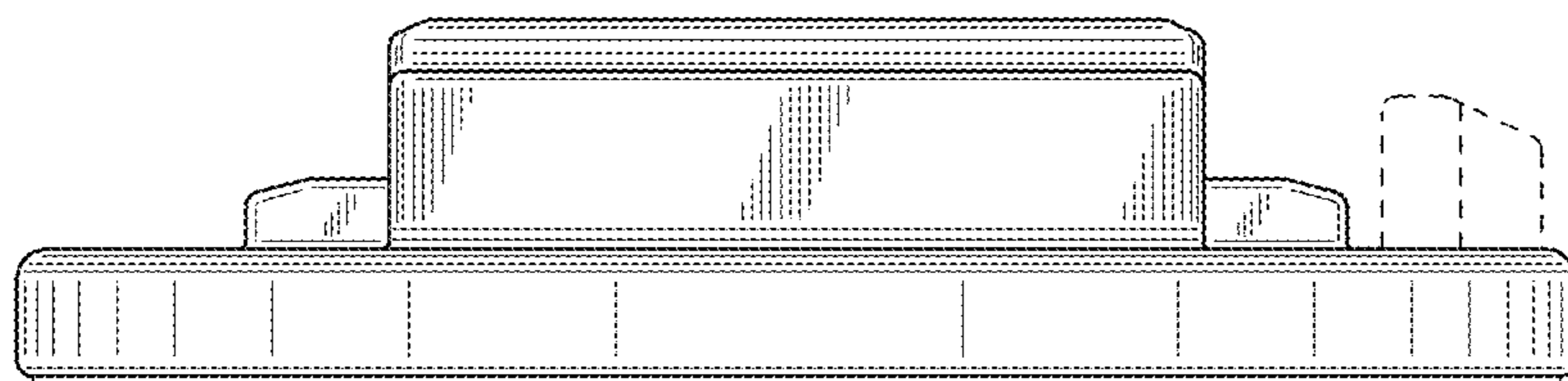


FIG. 8

