



US00D798365S

(12) **United States Design Patent** (10) **Patent No.:** **US D798,365 S**  
**Glazer et al.** (45) **Date of Patent:** **\*\* Sep. 26, 2017**

(54) **PORTABLE MOUNT FOR A MONITORING CAMERA**

(71) Applicant: **UDISENSE INC.**, New York, NY (US)

(72) Inventors: **Assaf Glazer**, Hoboken, NJ (US); **Tor Ivry**, Rishon Lezion (IL); **Amir Katz**, Bat Hefer (IL); **Amnon Karni**, New York, NY (US); **Mark Prommel**, Brooklyn, NY (US); **Pil Ho Chung**, Palisades Park, NJ (US); **Marco Perry**, Brooklyn, NY (US); **Oscar Frias**, Brooklyn, NY (US)

(73) Assignee: **UDISENSE INC.**, New York, NY (US)

(\*\*) Term: **15 Years**

(21) Appl. No.: **29/563,947**

(22) Filed: **May 10, 2016**

(51) **LOC (10) Cl.** ..... **16-05**

(52) **U.S. Cl.**  
USPC ..... **D16/242**

(58) **Field of Classification Search**  
USPC ..... D16/134, 136, 210–219, 235, 237–245, D16/250  
CPC ..... G03B 17/02; G03B 17/04; G03B 17/14; G03B 17/56; G03B 17/561–17/568; G03B 7/00–7/002; G03B 7/02–7/04; G03B 7/14; G03B 21/20–21/2066; F16M 11/02; F16M 11/04; F16M 11/20; F16M 11/40

See application file for complete search history.

(56) **References Cited**

**U.S. PATENT DOCUMENTS**

D557,320 S \* 12/2007 Fisher ..... D16/219  
D606,106 S \* 12/2009 Kim ..... D16/218  
D624,108 S \* 9/2010 Wang ..... D16/219  
D624,109 S \* 9/2010 Wang ..... D16/242  
D627,815 S \* 11/2010 Oba ..... D16/202

D727,388 S \* 4/2015 Huang ..... D16/214  
D746,350 S \* 12/2015 Li ..... D16/203  
D754,234 S \* 4/2016 Lee ..... D16/218  
D755,876 S \* 5/2016 Moss ..... D16/214  
D765,756 S \* 9/2016 Liu ..... D16/203

(Continued)

**FOREIGN PATENT DOCUMENTS**

EM 002909416-0005 \* 12/2015

**OTHER PUBLICATIONS**

Nest Cam Indoor security camera. [online] Published date unknown. Retrieved on Mar. 1, 2017 from <URL: <https://www.amazon.com/dp/B00WBJGUA2?psc=1>>.\*

(Continued)

*Primary Examiner* — Vy Koenig

*Assistant Examiner* — Omeed Agilee

(74) *Attorney, Agent, or Firm* — D.Kligler IP Services Ltd.

(57) **CLAIM**

The ornamental design for a portable mount for a monitoring camera, as shown and described.

**DESCRIPTION**

FIG. 1 is a top, front, right-side perspective view of a portable mount for a monitoring camera showing our new design;

FIG. 2 is a bottom, front, right-side perspective view thereof;

FIG. 3 is a front elevation view thereof;

FIG. 4 is a rear elevation view thereof;

FIG. 5 is a right side elevation view thereof;

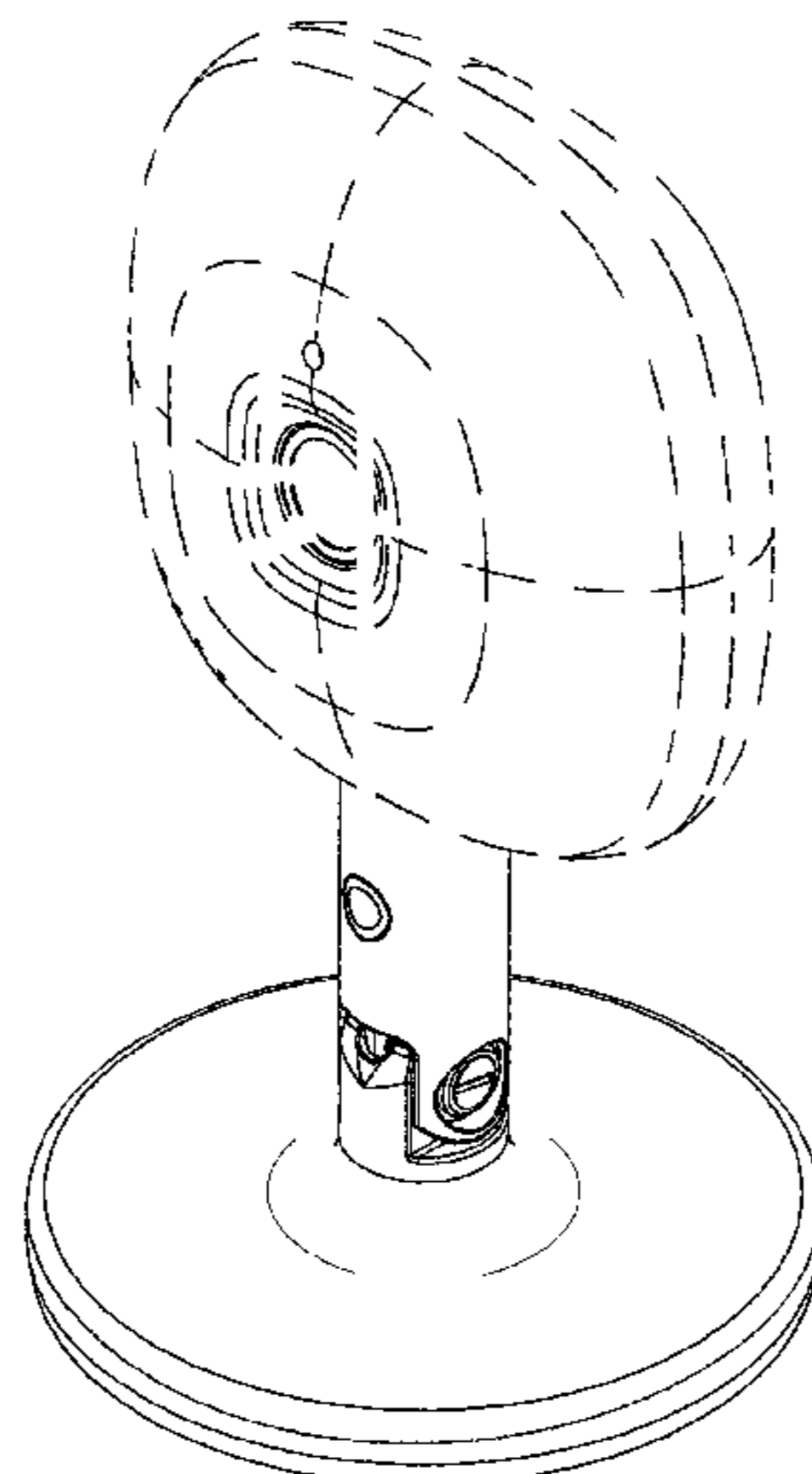
FIG. 6 is a left side elevation view thereof;

FIG. 7 is a top plan view thereof; and,

FIG. 8 is a bottom plan view thereof.

The broken lines in the drawing views are included to illustrate environment only and form no part of the claimed design.

**1 Claim, 7 Drawing Sheets**



(56)

**References Cited**

U.S. PATENT DOCUMENTS

2006/0109375 A1\* 5/2006 Ho ..... H04N 5/2251  
348/376  
2015/0288877 A1 10/2015 Glazer

OTHER PUBLICATIONS

Flir FX Portable Interchangeable Wi-Fi Camera. [online] Published date Mar. 6, 2014. Retrieved on Mar. 1, 2017 from <URL: <http://geeknewscentral.com/2014/03/06/flir-fx-portable-interchangeable-wi-fi-camera/>>.\*

Nanit Multi-Stand. [online] Published date Dec. 5, 2016. Retrieved on Mar. 2, 2017 from <URL: <https://www.amazon.com/Nanit-N102-Multi-Stand-White/dp/B01MDKHTL7>>.\*

\* cited by examiner

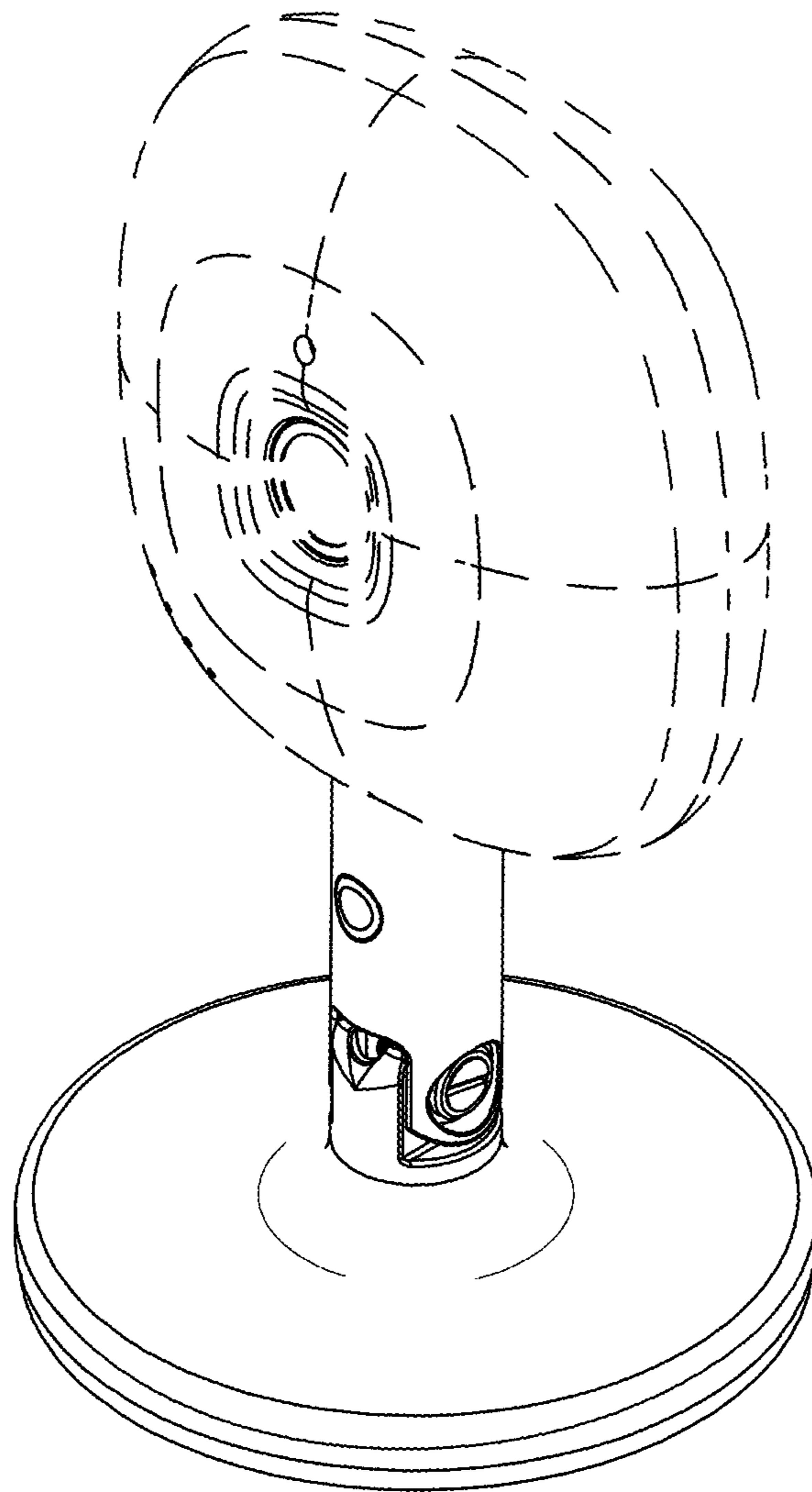


FIG. 1

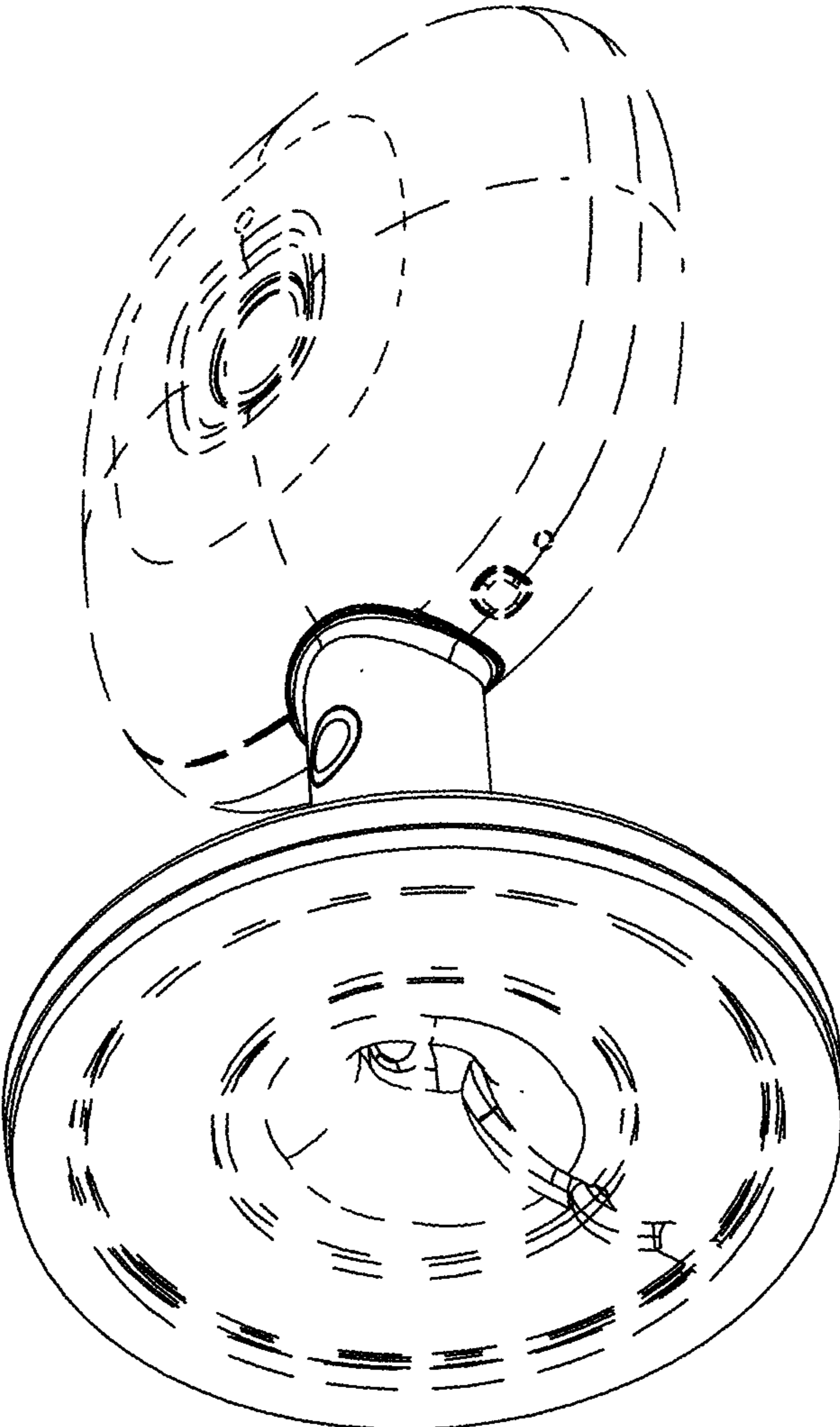


FIG. 2

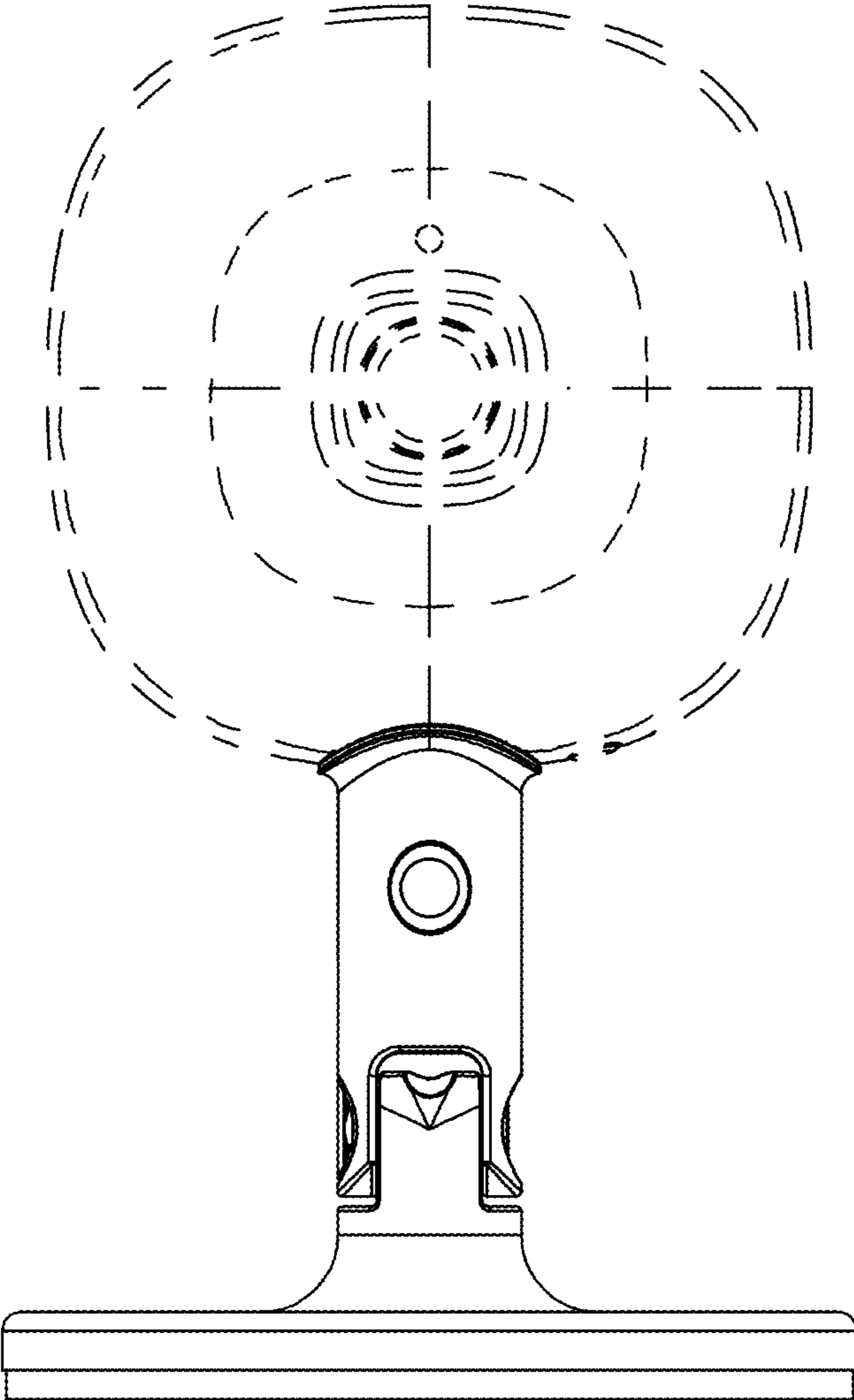


FIG. 3

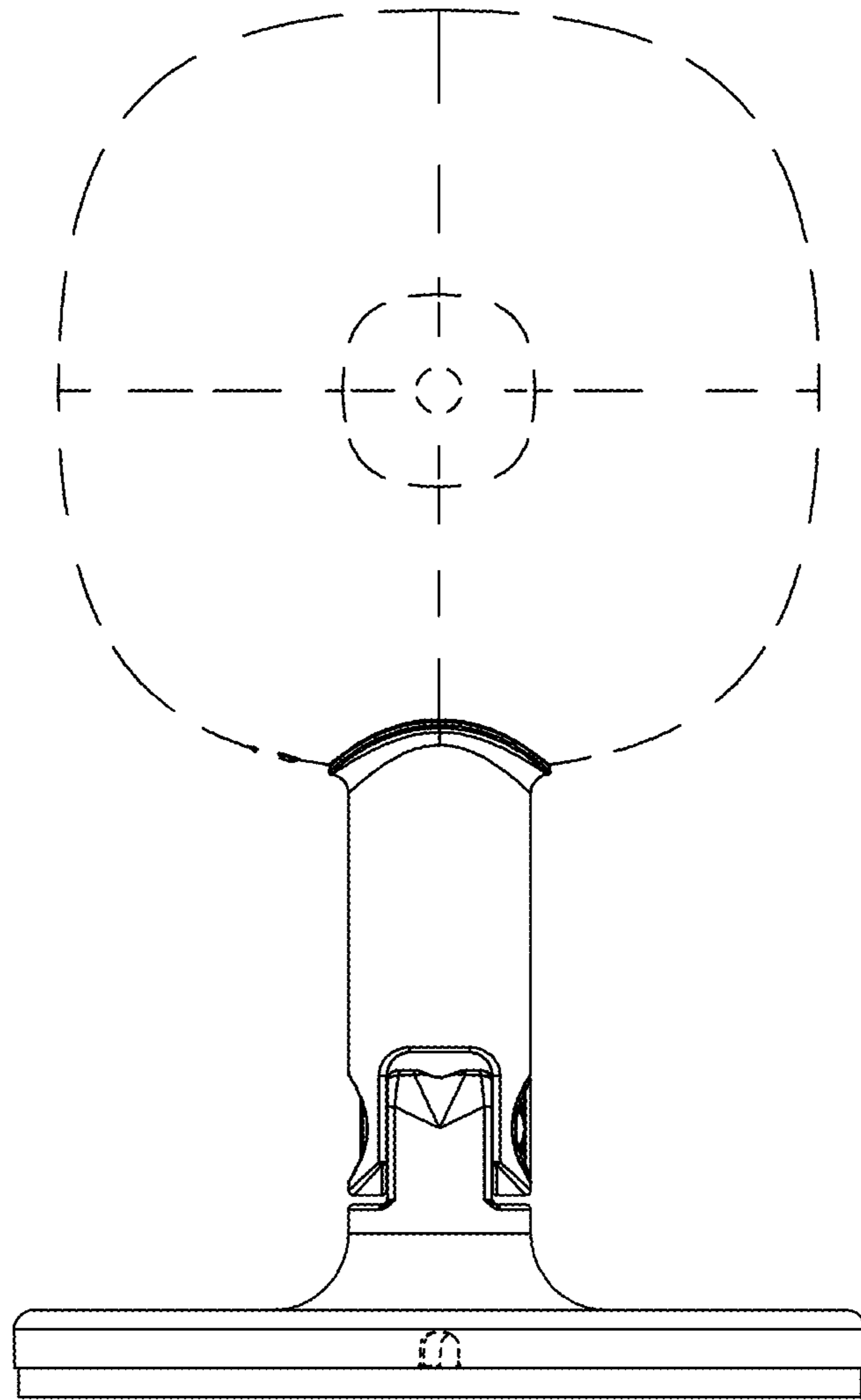


FIG. 4

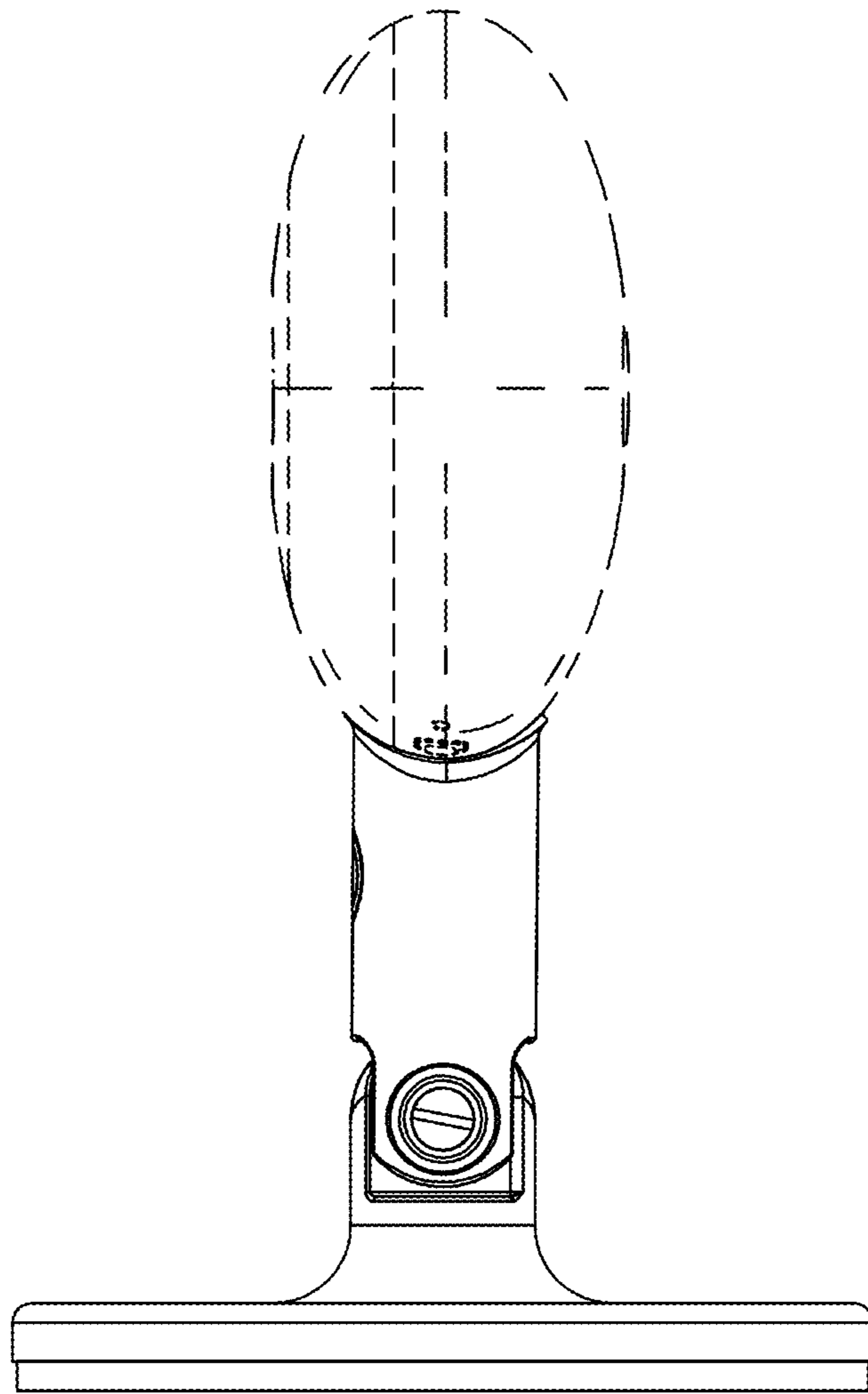


FIG. 5

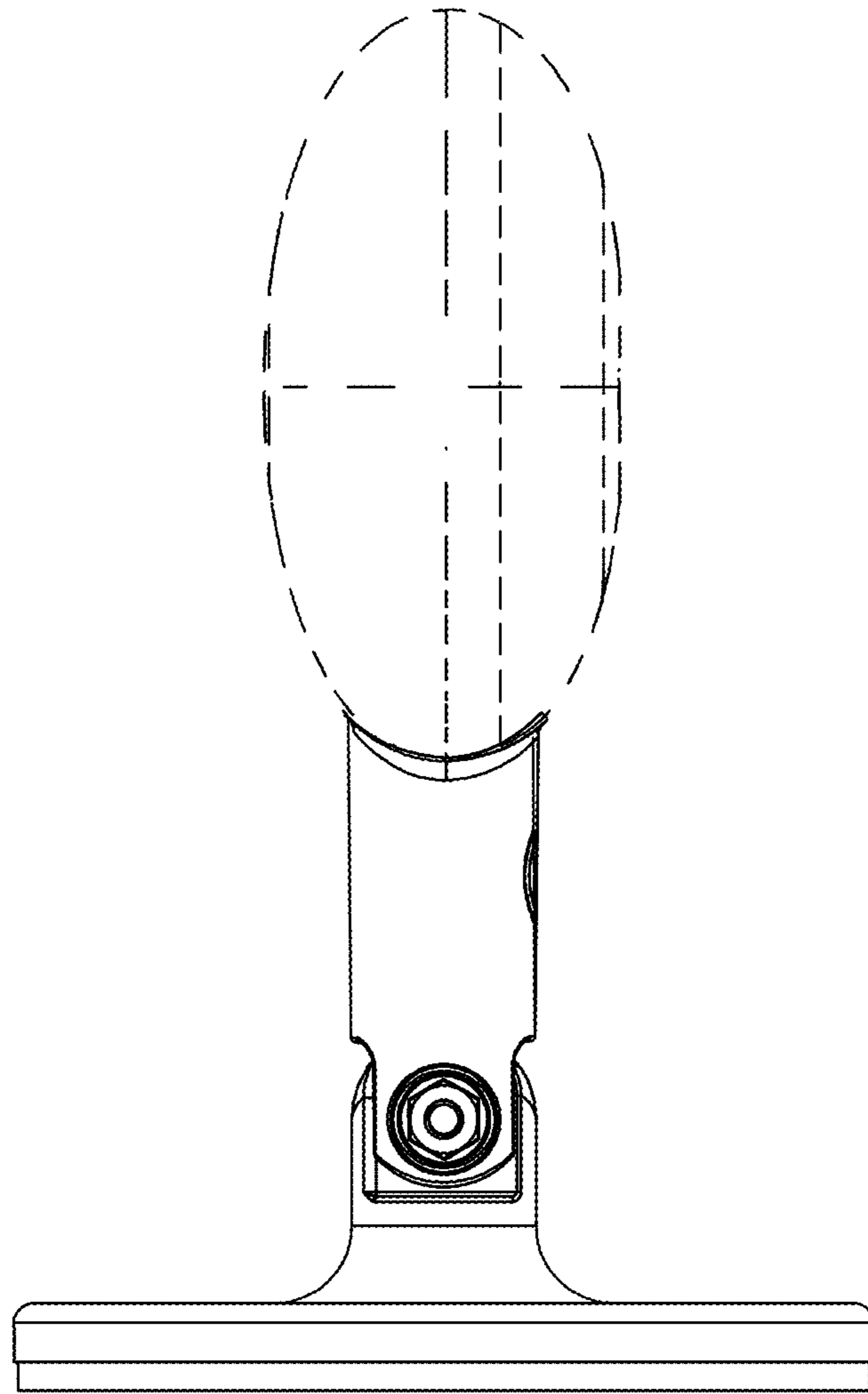


FIG. 6



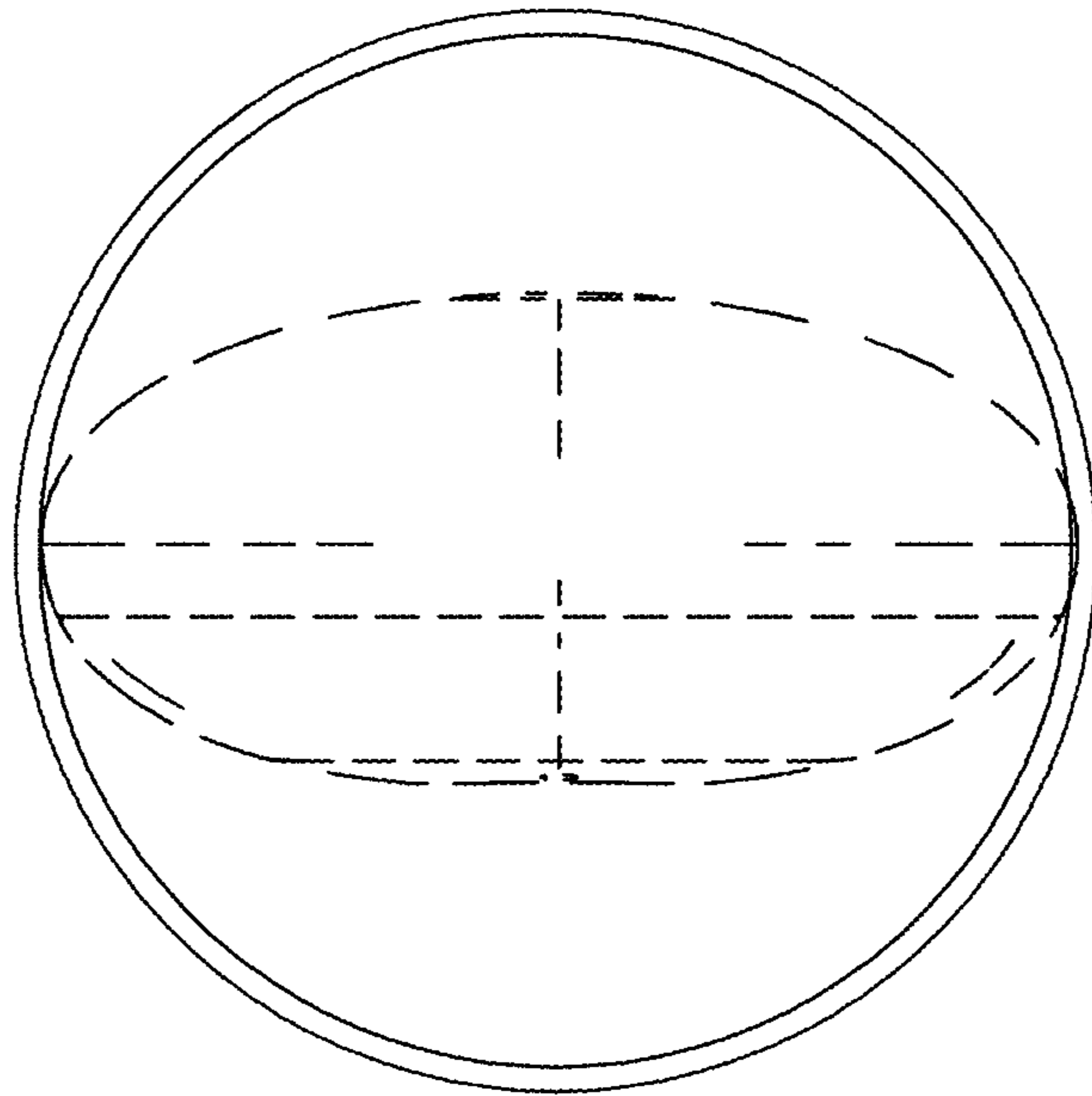


FIG. 7

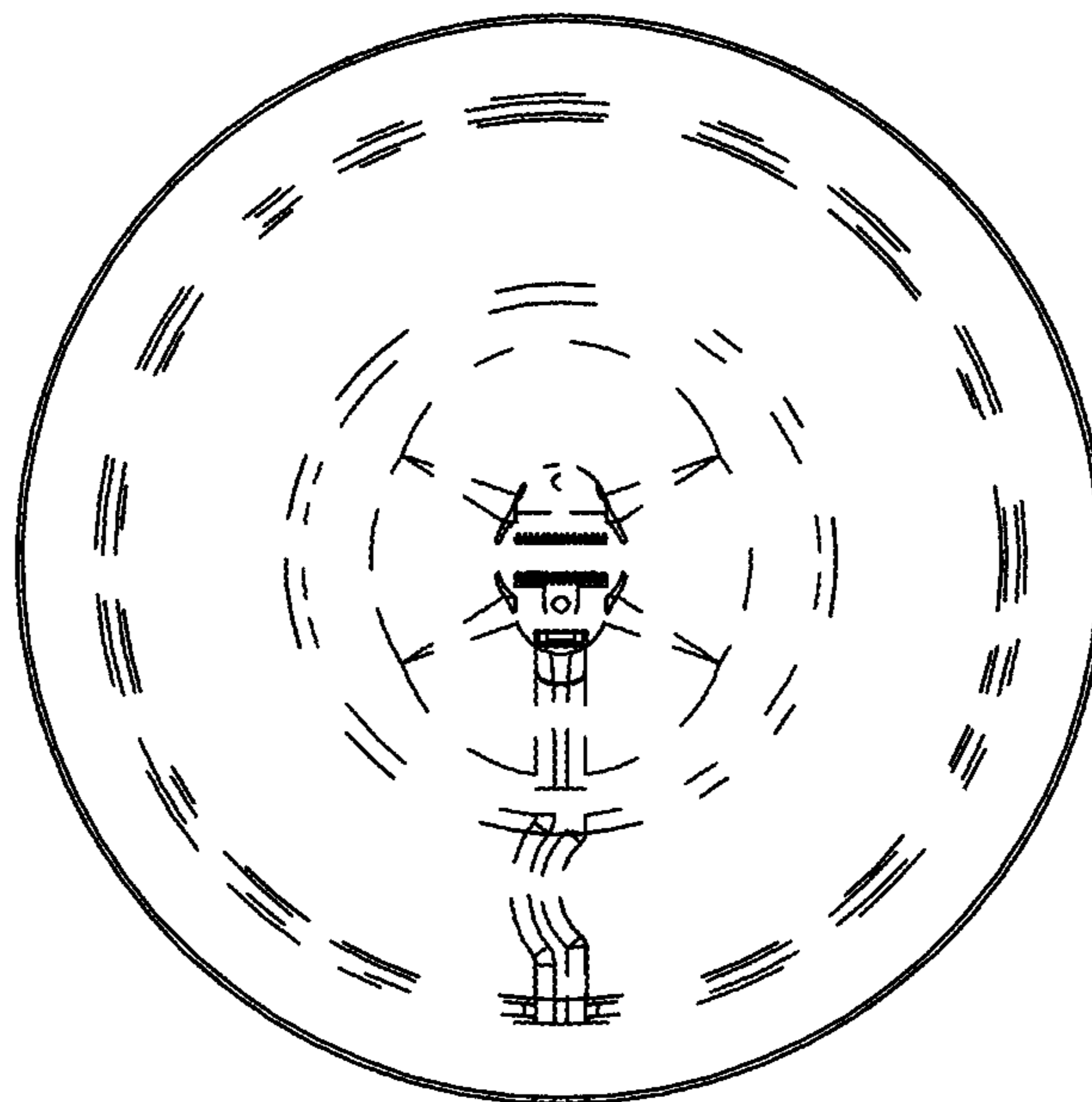


FIG. 8