



US00D798361S

(12) **United States Design Patent**  
**Kim et al.**

(10) **Patent No.:** **US D798,361 S**  
(45) **Date of Patent:** **\*\* Sep. 26, 2017**

(54) **SURVEILLANCE CAMERA**

(71) Applicant: **LG ELECTRONICS INC.**, Seoul (KR)  
(72) Inventors: **Kyungmin Kim**, Seoul (KR); **Hwayun Choi**, Seoul (KR); **Gangho Woo**, Seoul (KR)

(73) Assignee: **LG ELECTRONICS INC.**, Seoul (KR)

(\*\*) Term: **15 Years**

(21) Appl. No.: **29/565,943**

(22) Filed: **May 25, 2016**

(30) **Foreign Application Priority Data**

Nov. 26, 2015 (KR) ..... 30-2015-0059664

(51) **LOC (10) Cl.** ..... **16-01**

(52) **U.S. Cl.**  
USPC ..... **D16/203**

(58) **Field of Classification Search**

USPC ..... D14/130, 144, 132; D16/200–220, 242, D16/238; D26/24, 36, 72, 79, 123; D10/104.1, 104.2, 106.1, 106.2, 106.5; D9/548, 560, 572, 574, 430, 431; D29/109–110

CPC ..... H04N 7/181; H04N 7/183; H04N 7/18; H04N 3/08; H04N 5/23248; H04N 5/23287; H04N 5/23258; H04N 5/2251; H04N 5/2252; H04N 2007/145; G01C 11/025; G03B 15/00; G03B 15/03; G03B 17/56; G03B 17/02; G03B 17/30; G03B 17/04; G03B 17/00; G03B 19/04; G03B 3/00; B60R 1/00; B60R 2300/105; G08B 13/19619; G08B 13/1963; G08B 13/19632; F16M 11/04; F16M 13/00; Y02E 60/12

See application file for complete search history.

(56) **References Cited**

U.S. PATENT DOCUMENTS

D92,882 S \* 7/1934 Worster ..... D16/218  
D134,188 S \* 10/1942 Green ..... D9/431  
2,926,676 A \* 3/1960 Kleinau ..... E04H 15/24  
135/100  
D216,036 S \* 11/1969 Levin ..... D10/43  
(Continued)

FOREIGN PATENT DOCUMENTS

EM 003119940-0002 \* 5/2016

OTHER PUBLICATIONS

Bandai Pair Match, announced 1984, [site visited Mar. 30, 2017], Available from Internet, URL: <<https://www.worthpoint.com/worthopedia/bandai-pair-match-electronic-game-1722533341>>.\*

(Continued)

*Primary Examiner* — Barbara Fox

*Assistant Examiner* — Mary C Ramirez

(74) *Attorney, Agent, or Firm* — Birch, Stewart, Kolasch & Birch, LLP

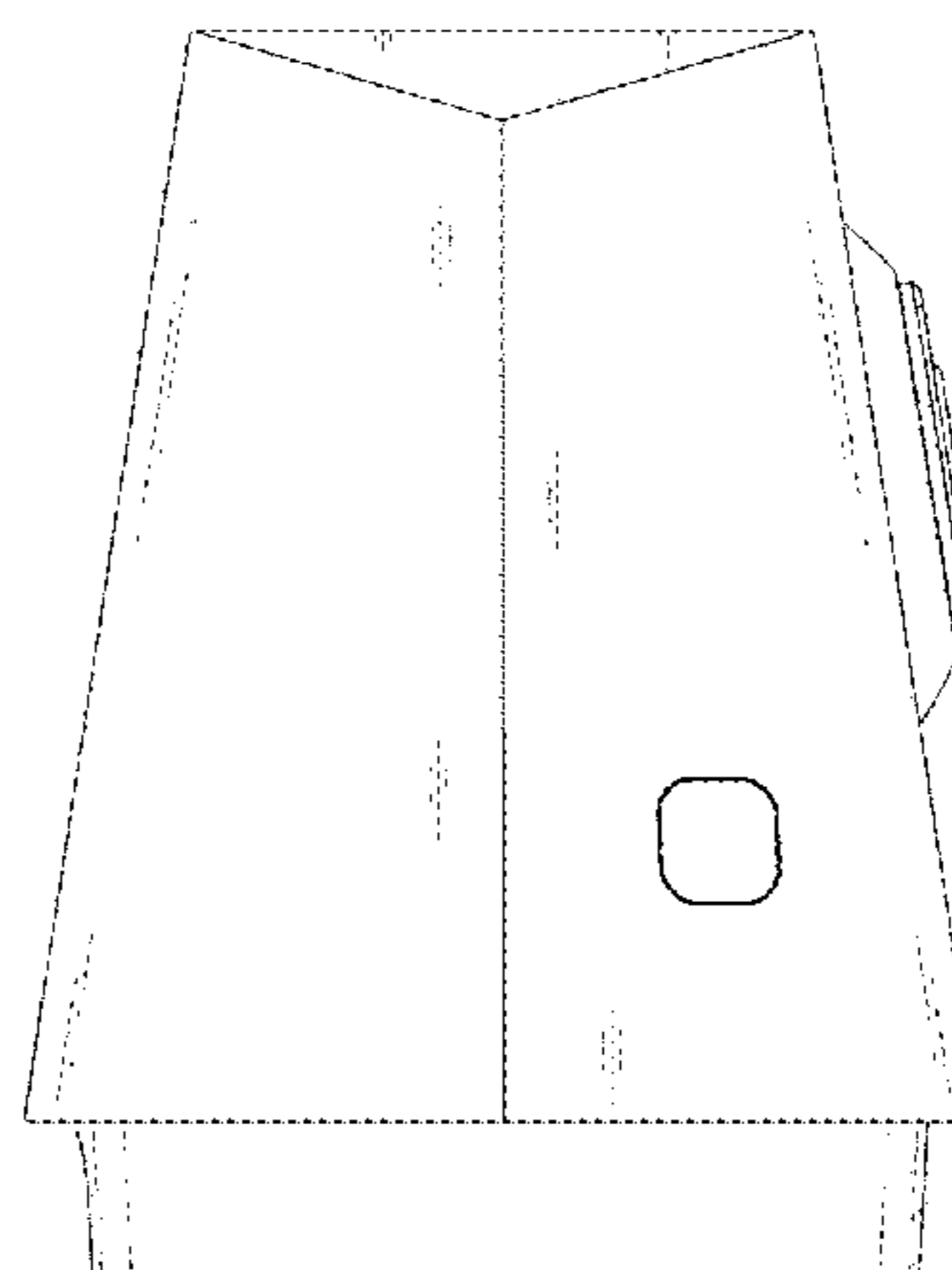
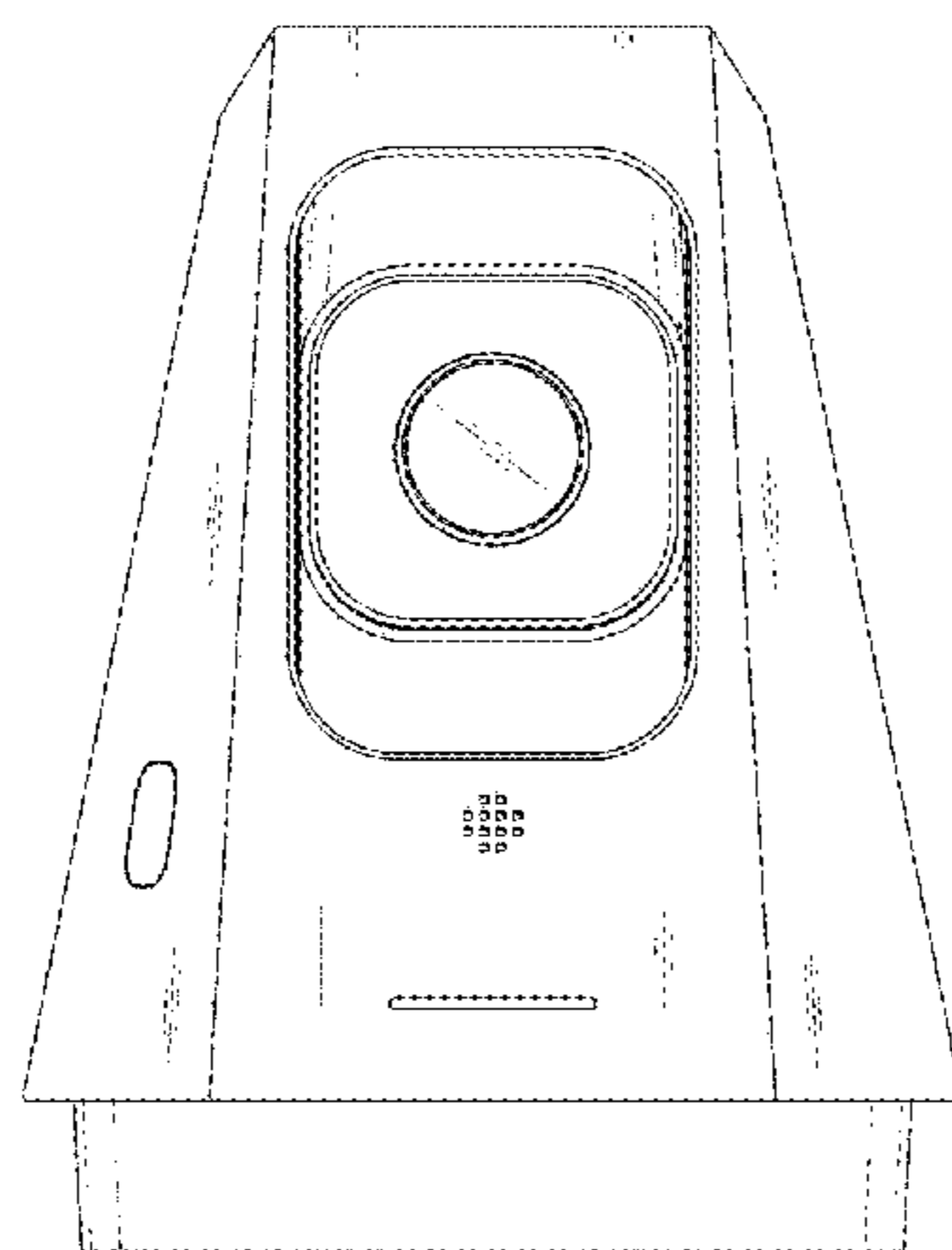
(57) **CLAIM**

The ornamental design for a surveillance camera, as shown and described.

**DESCRIPTION**

FIG. 1 is a front, right side, perspective view of a surveillance camera showing our new design;  
FIG. 2 is a front view thereof;  
FIG. 3 is a rear view thereof;  
FIG. 4 is a left side view thereof;  
FIG. 5 is a right side view thereof;  
FIG. 6 is a top view thereof; and,  
FIG. 7 is a bottom view thereof.

(Continued)



The broken lines shown in the drawings depict portions of the surveillance camera that form no part of the claimed design.

**1 Claim, 6 Drawing Sheets**

(56)

**References Cited**

U.S. PATENT DOCUMENTS

3,724,203 A \* 4/1973 Wittner ..... G04B 37/00  
84/484  
D294,804 S \* 3/1988 Lunderman ..... D9/529  
5,369,455 A \* 11/1994 Mayer ..... G03B 11/00  
396/28  
D380,739 S \* 7/1997 Senturia ..... D14/130  
D443,218 S \* 6/2001 Dohrmann ..... D10/106.1  
D447,973 S \* 9/2001 Dohrmann ..... D10/106.6

D471,832 S \* 3/2003 Dohrmann ..... D10/106.1  
D529,377 S \* 10/2006 Heiss ..... D9/431  
D535,566 S \* 1/2007 Lin ..... D9/453  
D545,229 S \* 6/2007 Roby ..... D10/106.2  
D551,967 S \* 10/2007 Hengami ..... D9/431  
D567,664 S \* 4/2008 Rica ..... D9/544  
D693,717 S \* 11/2013 Aurongzeb ..... D10/104.1  
D741,389 S \* 10/2015 Park ..... D16/203  
D751,424 S \* 3/2016 Vochezer ..... D10/43  
D777,817 S \* 1/2017 Holbrook ..... D16/203  
2014/0049638 A1 \* 2/2014 Huang ..... H04N 5/2252  
348/143

OTHER PUBLICATIONS

Guardzilla, announced Mar. 20, 2015 [site visited Mar. 20, 2017],  
Available from Internet, URL: <<http://www.pcmag.com/article/0,2817,2478394,00.asp>>.\*

\* cited by examiner

FIG. 1

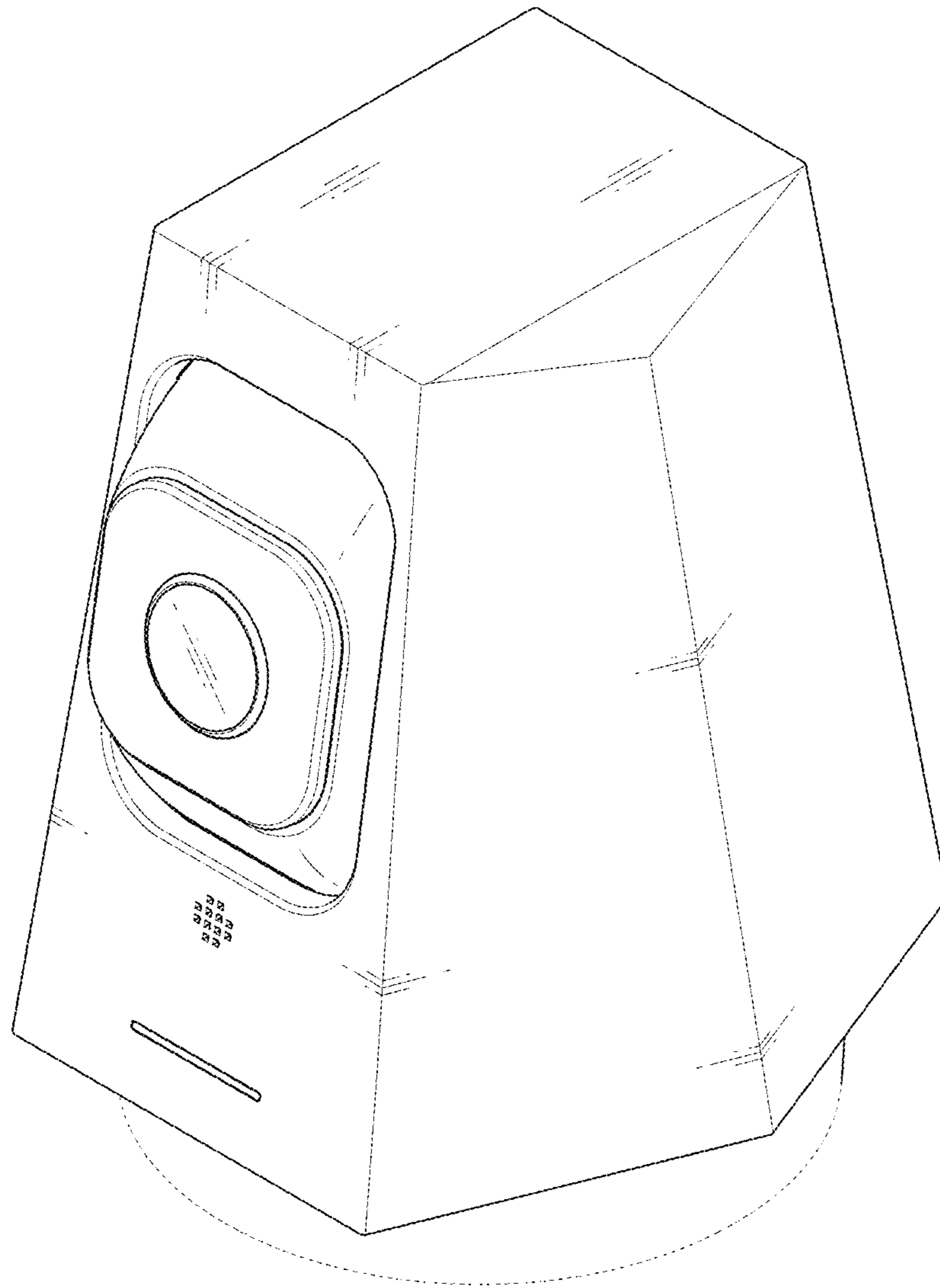


FIG. 2

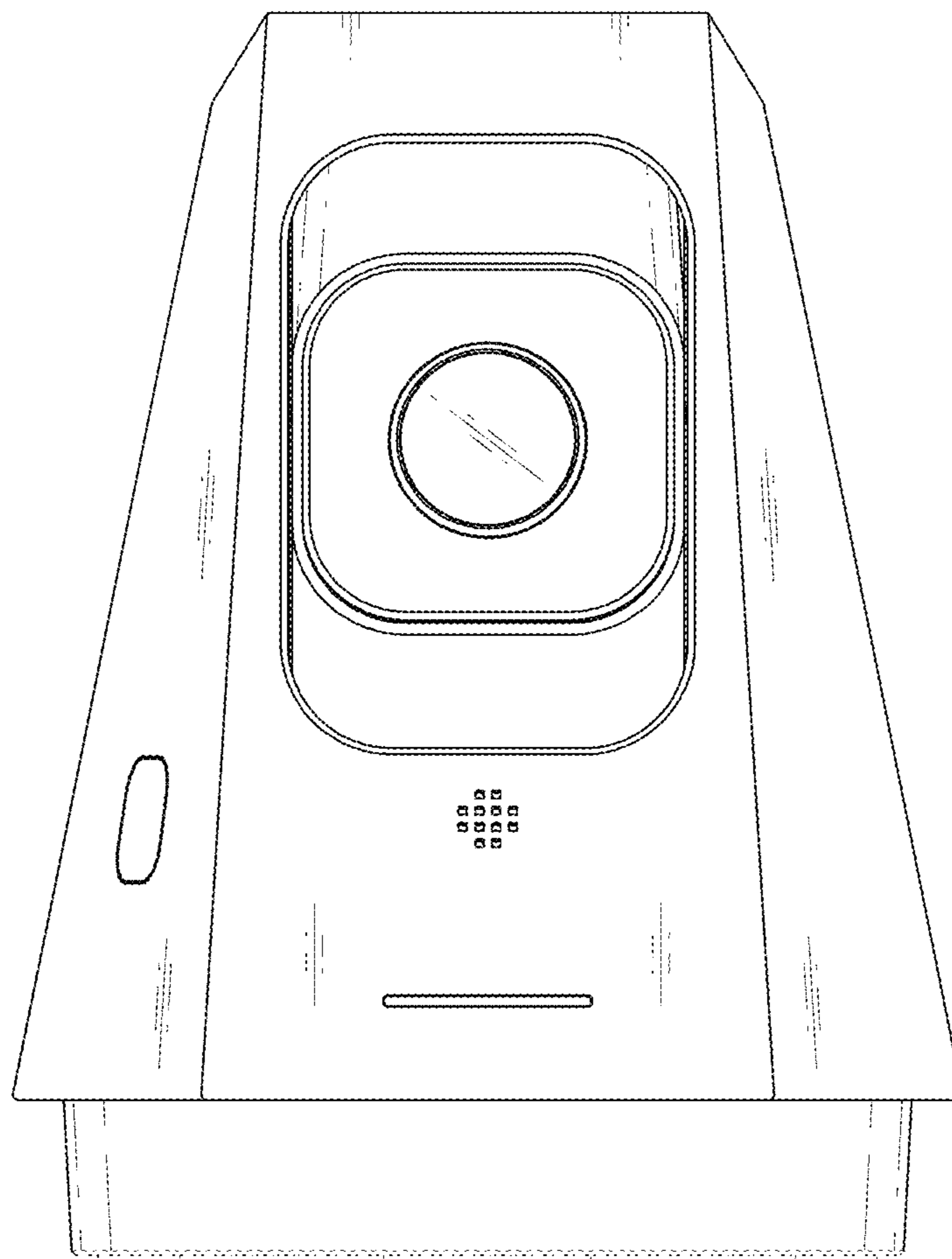


FIG. 3

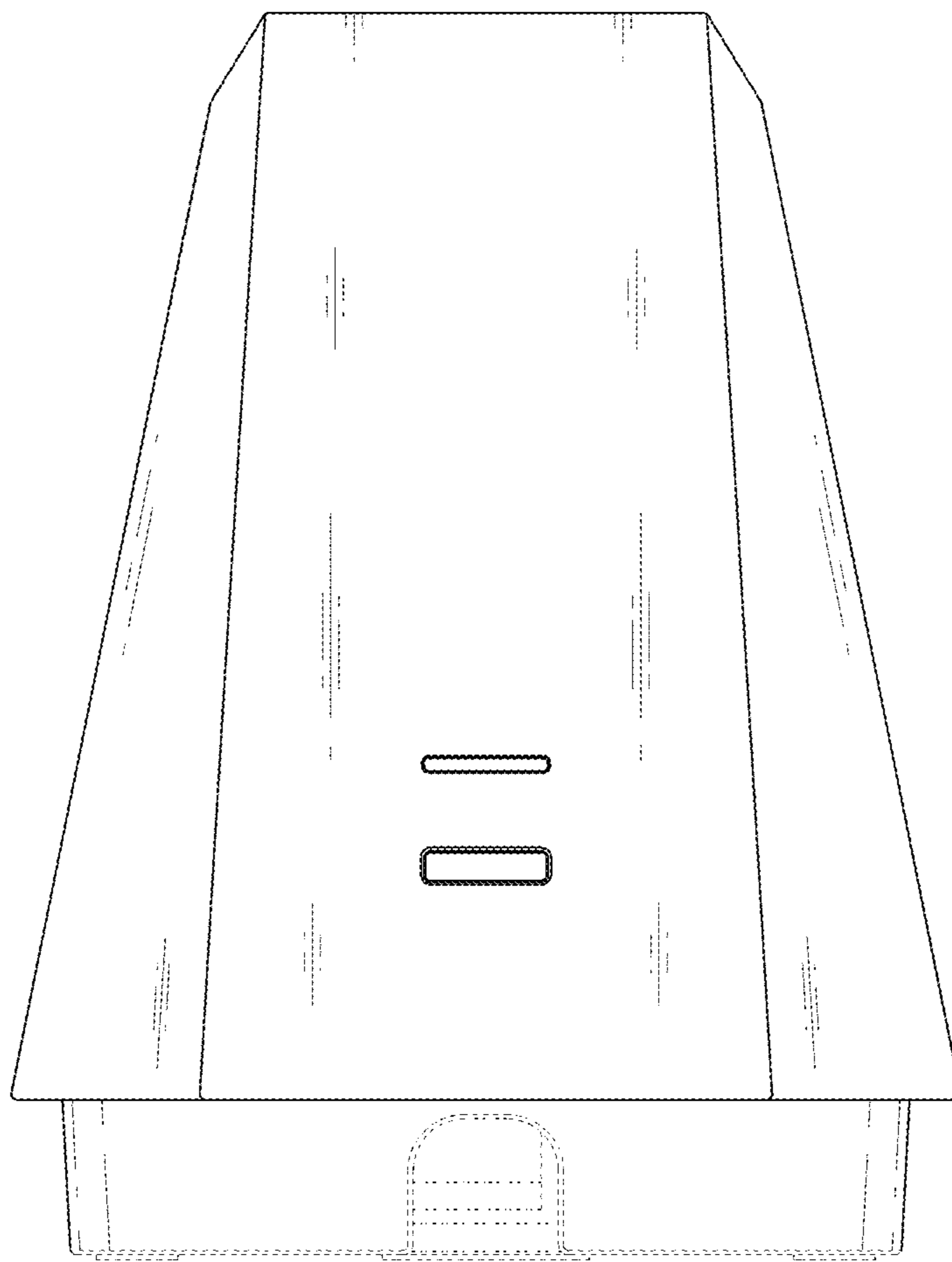


FIG. 4

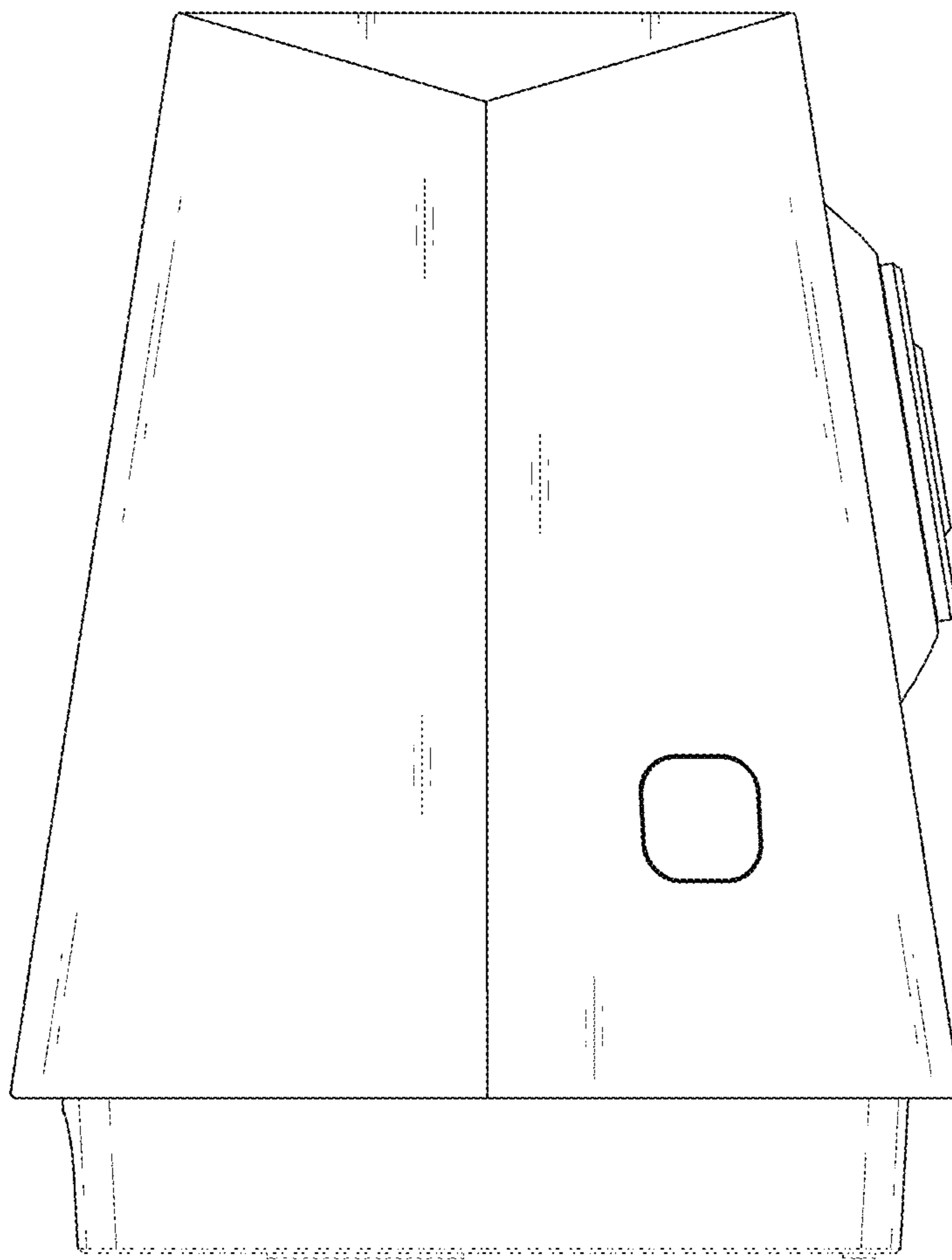


FIG. 5

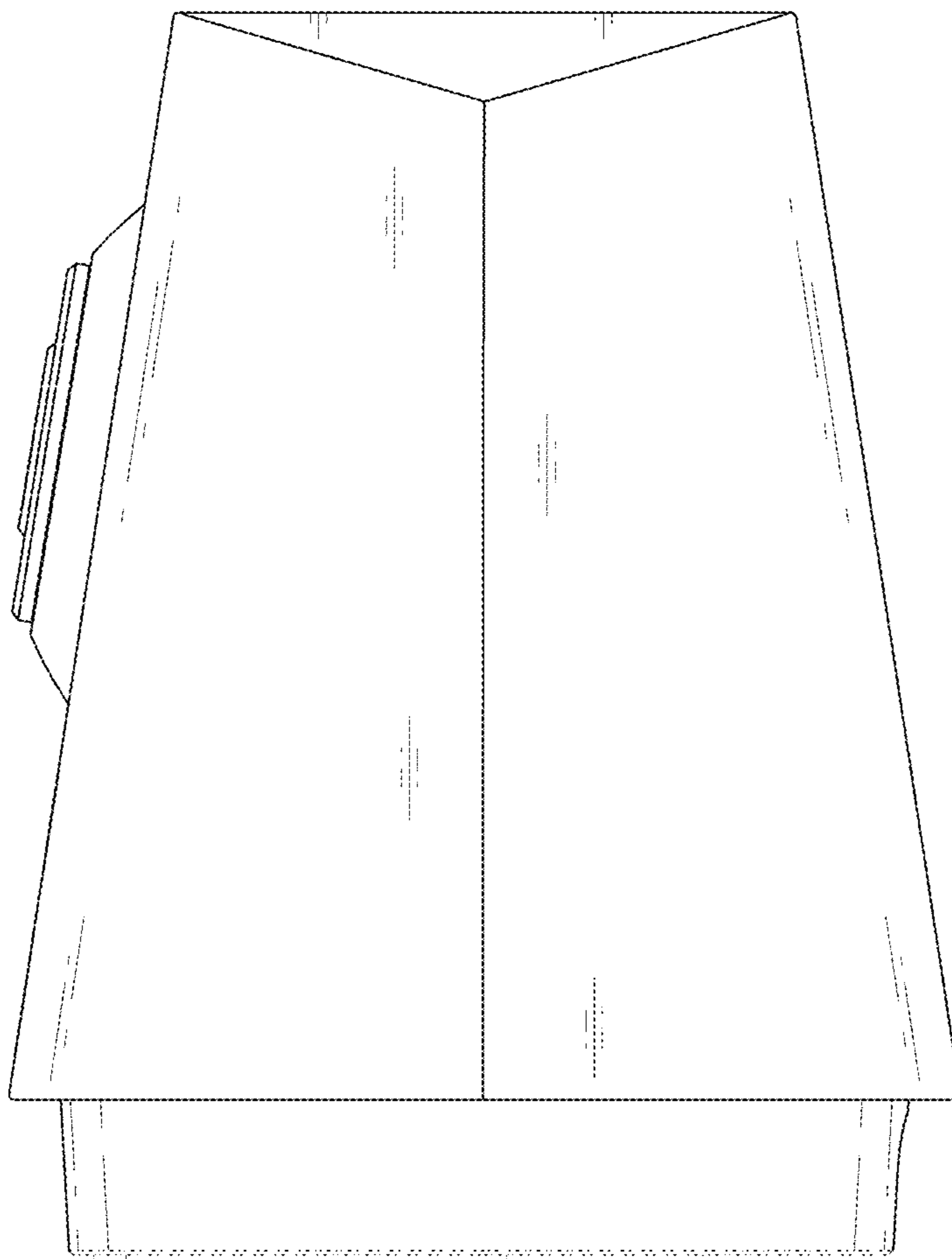


FIG. 6

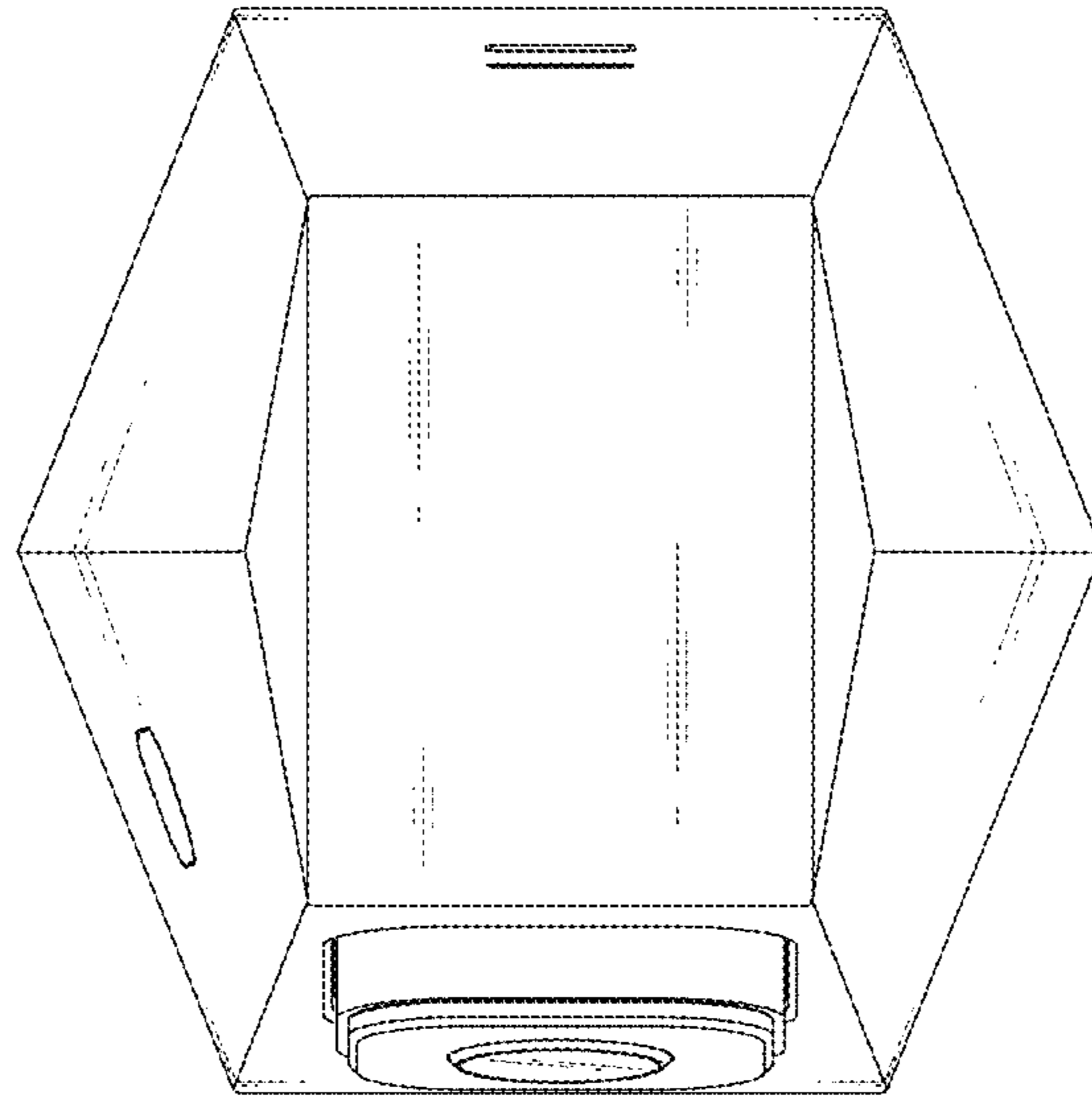


FIG. 7

