



US00D798360S

(12) **United States Design Patent**
Jeong

(10) **Patent No.:** **US D798,360 S**
(45) **Date of Patent:** **** Sep. 26, 2017**

- (54) **CAMERA FOR NETWORK**
- (71) Applicant: **LG INNOTEK CO., LTD.**, Seoul (KR)
- (72) Inventor: **Ki Hyun Jeong**, Seoul (KR)
- (73) Assignee: **LG INNOTEK CO., LTD.**, Seoul (KR)
- (**) Term: **15 Years**

D748,179	S	*	1/2016	Scalisi	D10/118.2
D748,709	S	*	2/2016	Jeong	D16/202
D754,233	S	*	4/2016	Du	D16/211
9,388,934	B1	*	7/2016	Kilgore	H04N 5/2251
D776,180	S	*	1/2017	Fiedler	D16/202
2016/0041456	A1	*	2/2016	Kamiya	G03B 17/04 396/56

(Continued)

- (21) Appl. No.: **29/564,318**
- (22) Filed: **May 12, 2016**
- (30) **Foreign Application Priority Data**

Nov. 26, 2015 (KR) 30-2015-0059706

- (51) **LOC (10) Cl.** **16-01**
- (52) **U.S. Cl.**
USPC **D16/203**
- (58) **Field of Classification Search**

USPC D16/200-220, 242, 243, 244, 134;
D26/24, 36, 72, 79, 123, 138, 88, 120;
D11/146; D10/104.1, 104.2, 106.1,
D10/106.2, 106.5; D9/544, 558, 777,
D9/691, 689, 516, 505, 764; D7/610;
D23/223, 229, 255

CPC .. H04N 3/08; H04N 5/23248; H04N 5/23287;
H04N 5/23258; H04N 5/2251; H04N
5/2252; H04N 7/181; H04N 7/183; H04N
7/18; H04N 2007/145; G01C 11/025;
G03B 15/00; G03B 15/03; G03B 17/56;
G03B 17/02; G03B 17/30; G03B 17/04;
G03B 17/00; G03B 19/04; G03B 3/00;
G08B 13/19619; G08B 13/1963; G08B
13/19632; B60R 1/00; B60R 2300/105;
F16M 11/04; F16M 13/00; Y02E 60/12

See application file for complete search history.

(56) **References Cited**

U.S. PATENT DOCUMENTS

D410,480	S	*	6/1999	Takagi	D16/202
D746,349	S	*	12/2015	Yung	D16/203

OTHER PUBLICATIONS

Oco Camera, announced Jun. 15, 2015 [online], [site visited Mar. 15, 2017], Available from Internet, URL: <<https://www.amazon.com/Oco-Wireless-Surveillance-Monitoring-Security/dp/B0108N1Y0I?th=1>>.*

(Continued)

Primary Examiner — Barbara Fox
Assistant Examiner — Mary C Ramirez
(74) *Attorney, Agent, or Firm* — Ked & Associates LLP

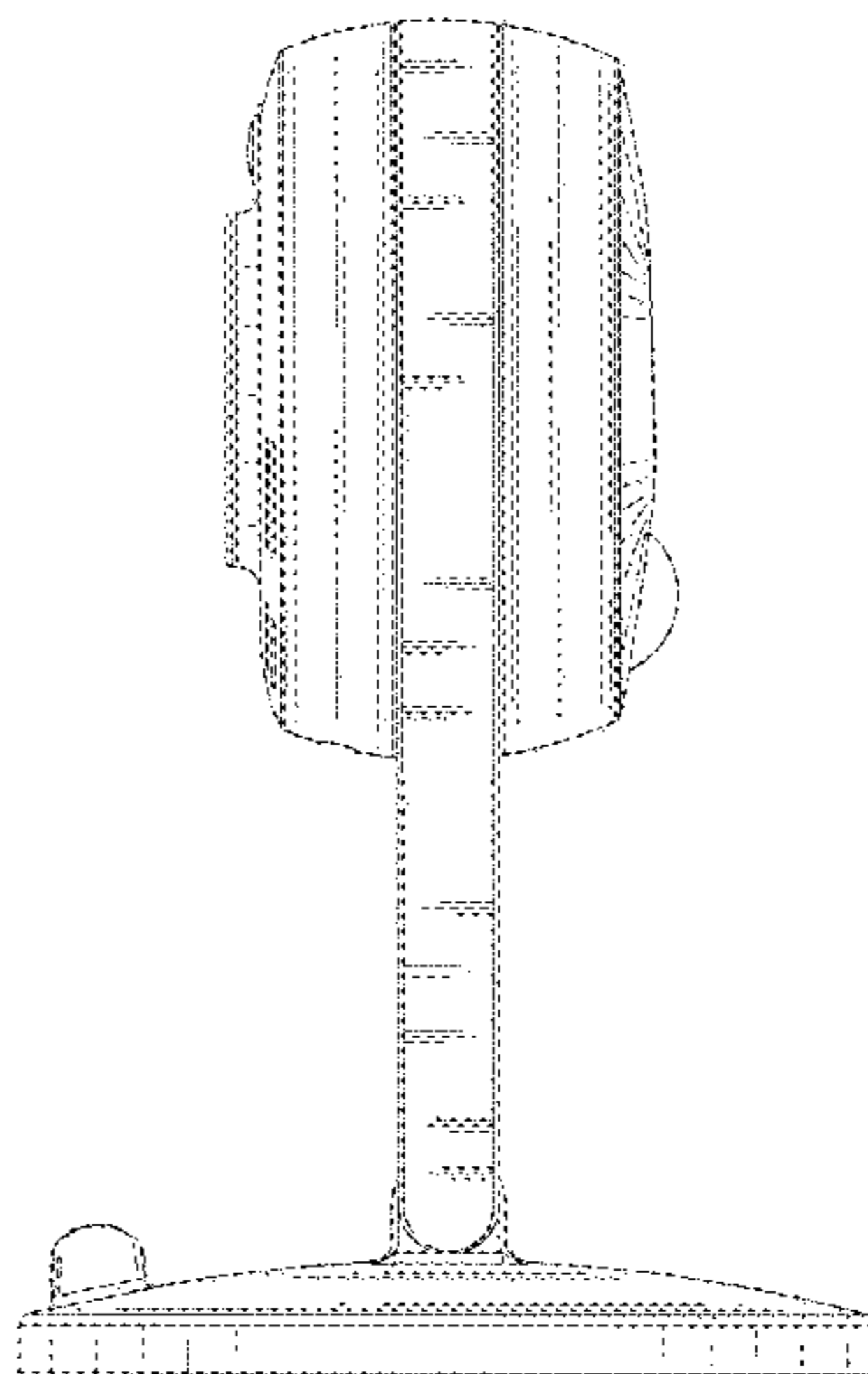
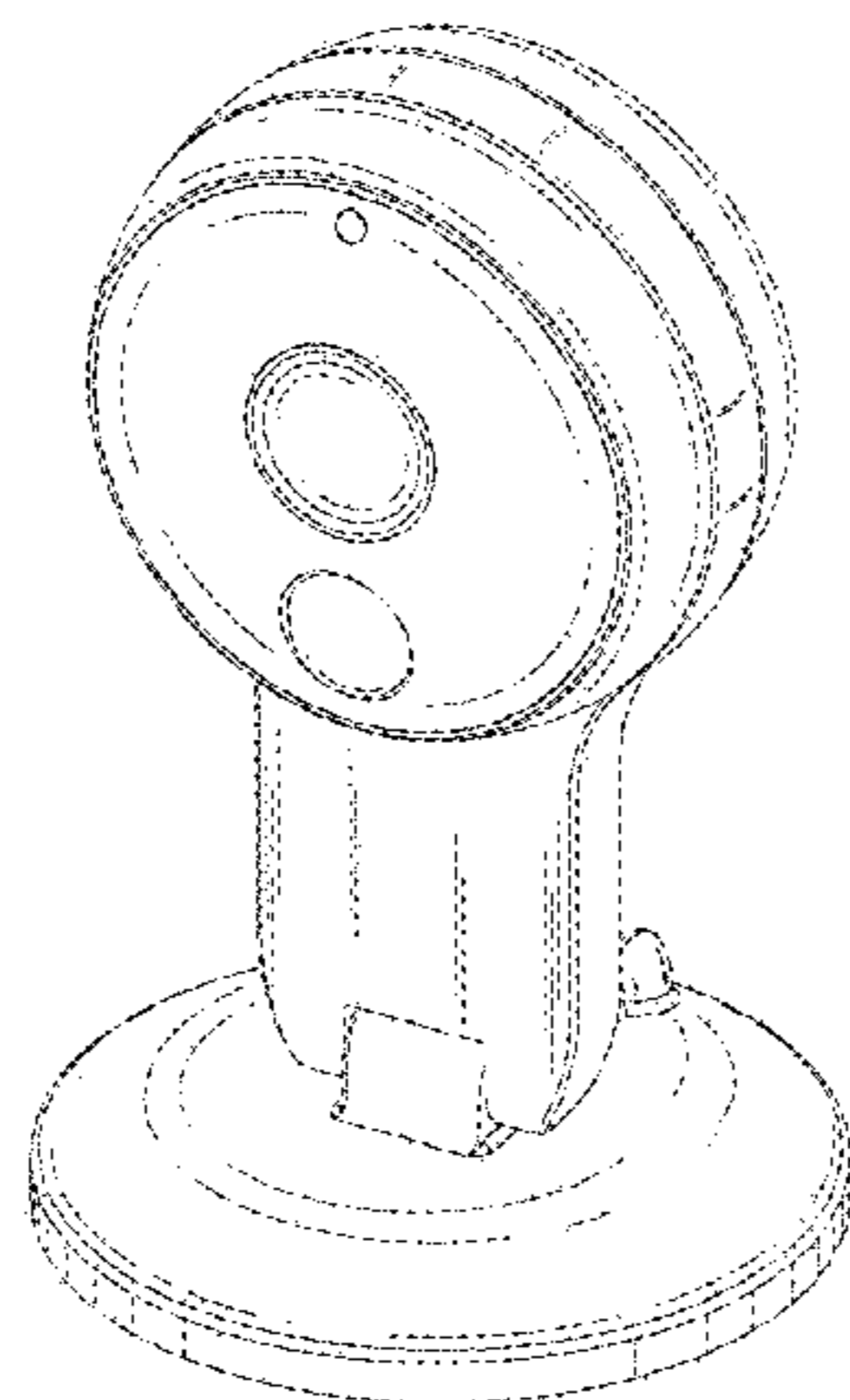
(57) **CLAIM**

The ornamental design for a camera for a network, as shown and described.

DESCRIPTION

FIG. 1 is a front perspective view of a camera for network showing my new design;
FIG. 2 is a front view thereof;
FIG. 3 is a rear view thereof;
FIG. 4 is a left side view thereof;
FIG. 5 is a right side view thereof;
FIG. 6 is a top plan view thereof; and,
FIG. 7 is a bottom view thereof.
The broken lines shown in the drawings depict portions of the camera for network that form no part of the claimed design.

1 Claim, 7 Drawing Sheets



(56)

References Cited

U.S. PATENT DOCUMENTS

2016/0044287 A1* 2/2016 Scalisi G08B 13/19684
348/159
2016/0363837 A1* 12/2016 Kilgore F16M 11/2064

OTHER PUBLICATIONS

Nest Camera, announced Nov. 16, 2015 [online], [site visited Mar. 15, 2017], Available from Internet, URL: <<https://www.amazon.com/Nest-Indoor-Security-Camera-Pack/dp/B0177FO9X4>>.*

* cited by examiner

FIG. 1

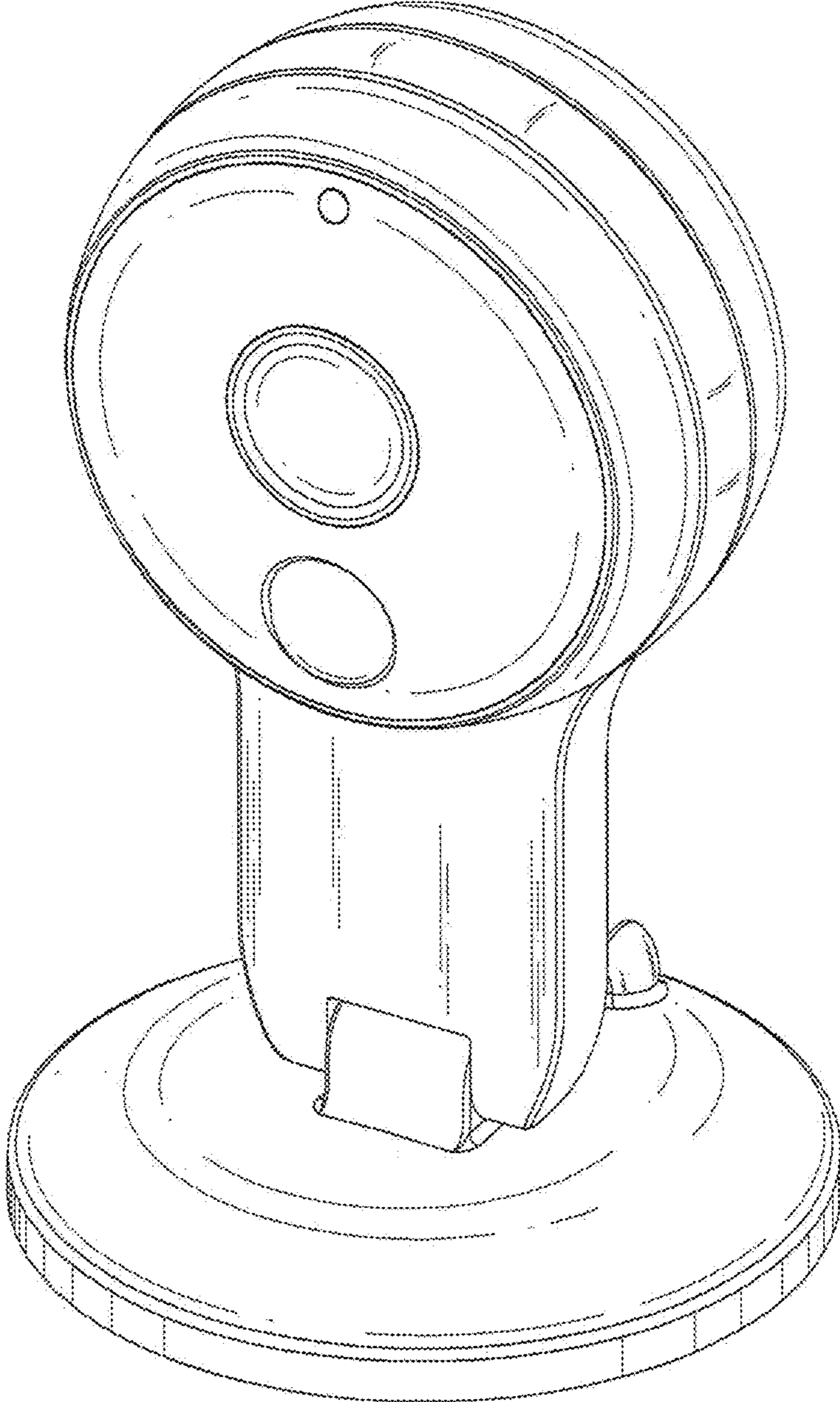


FIG. 2

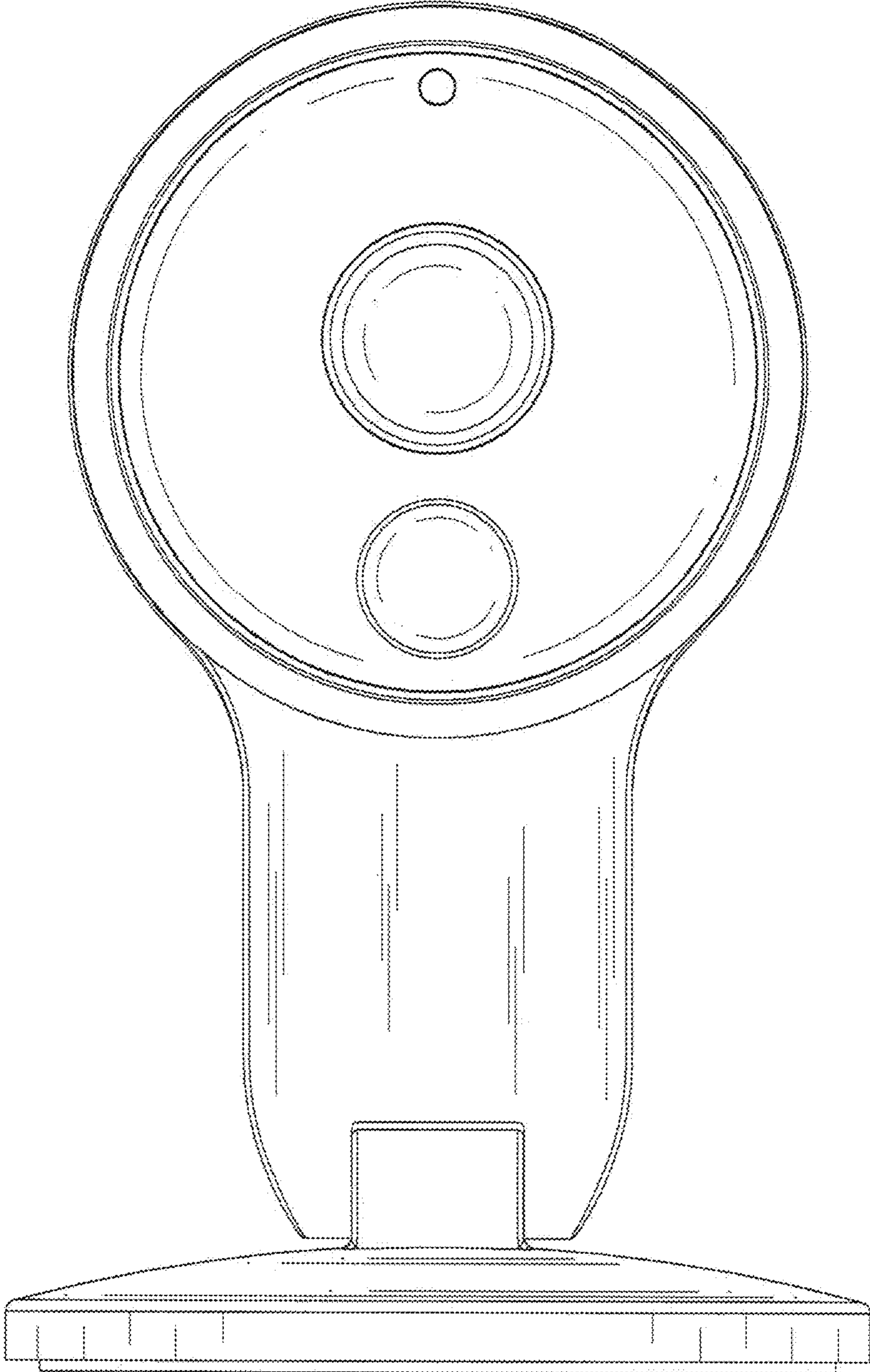


FIG. 3

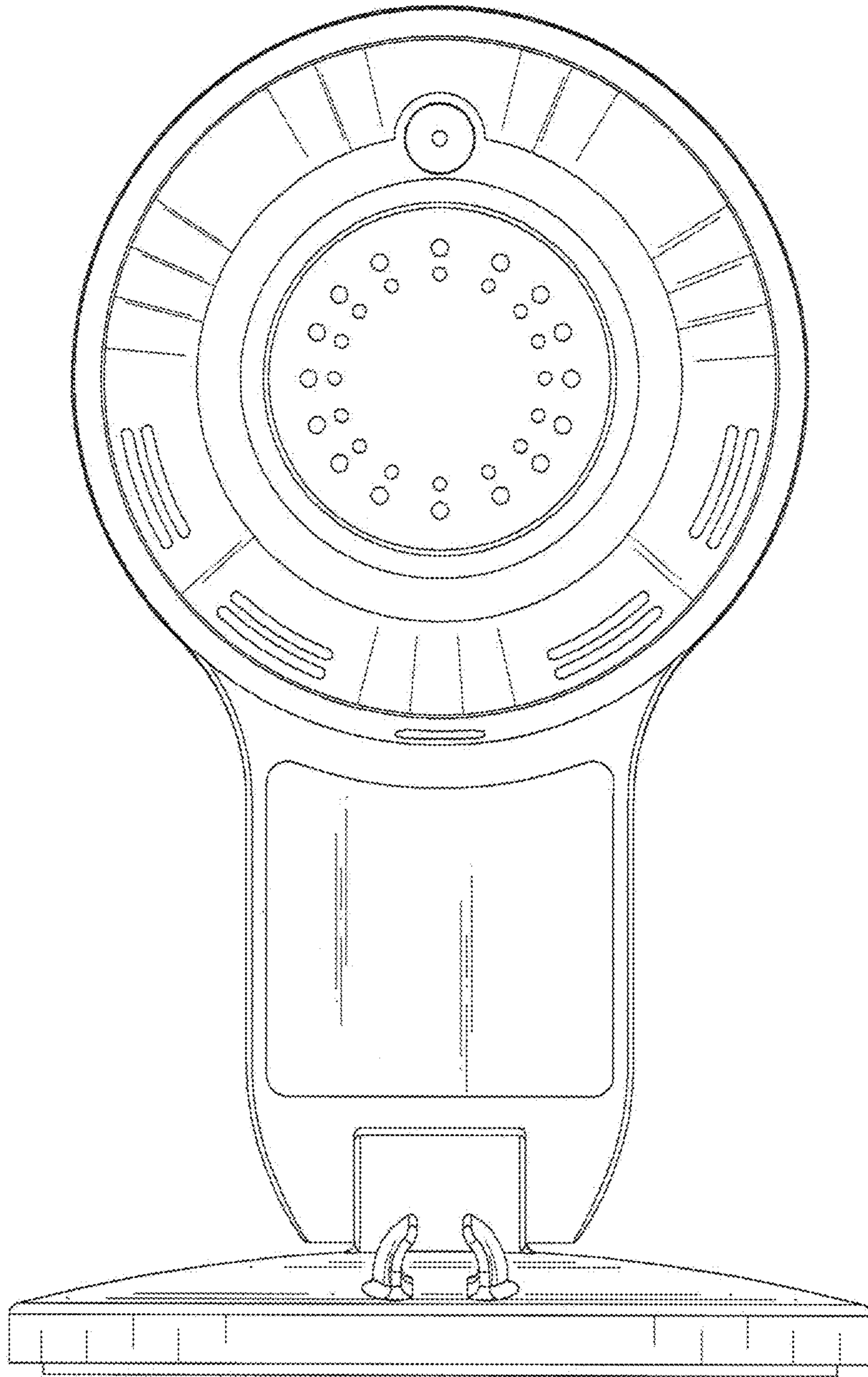


FIG. 4

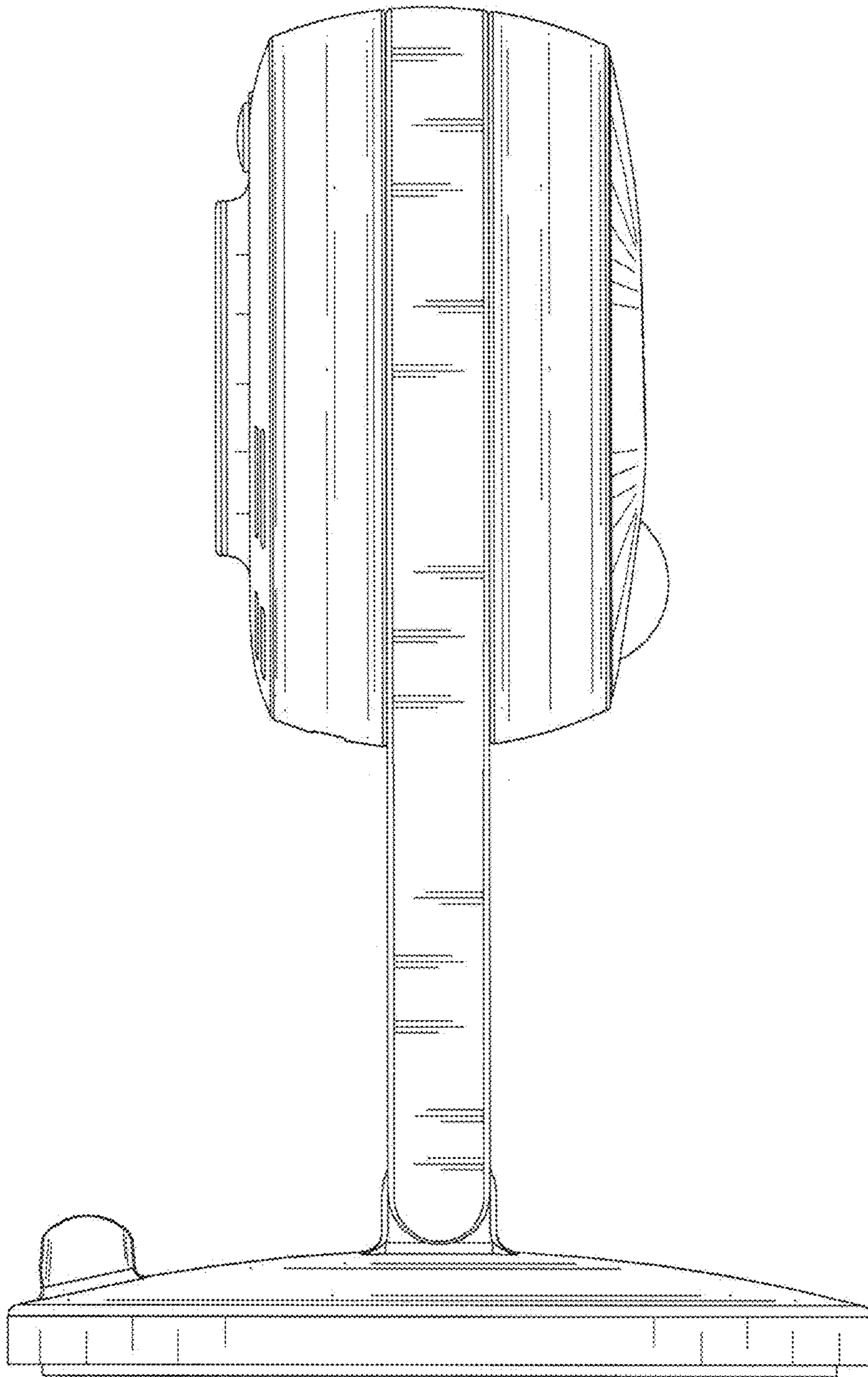


FIG. 5

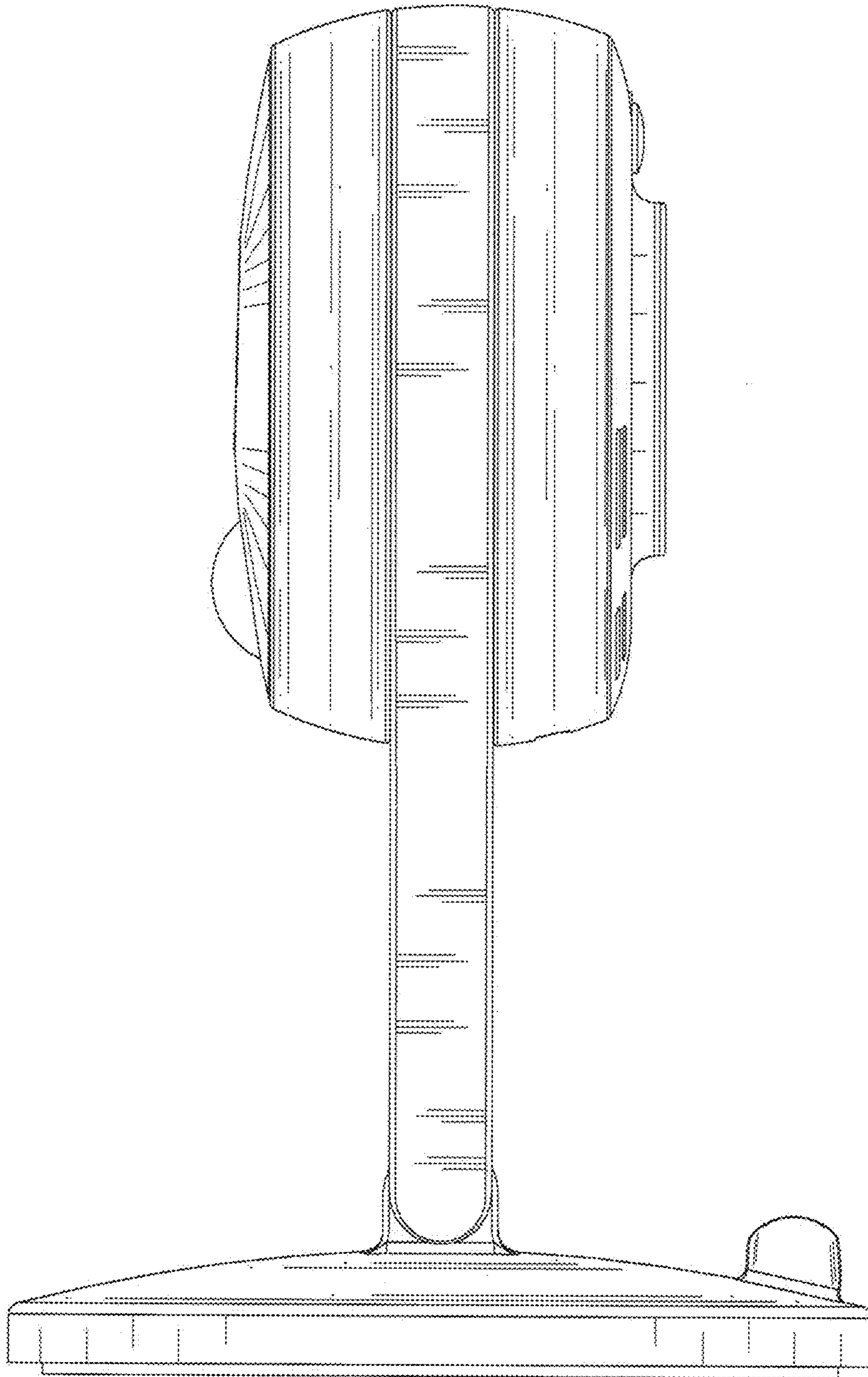


FIG. 6



FIG. 7

