



US00D798358S

(12) **United States Design Patent**  
**Holbrook et al.**

(10) **Patent No.:** **US D798,358 S**

(45) **Date of Patent:** **\*\* Sep. 26, 2017**

- (54) **WALL-MOUNTED PENDANT ENCLOSURE FOR A SPHERICAL CAMERA**
- (71) Applicant: **Avigilon Corporation**, Vancouver (CA)
- (72) Inventors: **Thomas Holbrook**, Vancouver (CA); **Sudeep Mohan**, Vancouver (CA); **Nigel Geoffrey Taylor**, Vancouver (CA); **Robin W. Chu**, San Francisco, CA (US); **Gregg Davis**, Powell, OH (US); **Mark A. Edwards**, Livermore, CA (US); **Adam M. Ruggles**, Columbus, OH (US)

(73) Assignee: **Avigilon Corporation**, Vancouver (CA)

(\*\*) Term: **15 Years**

(21) Appl. No.: **29/540,150**

(22) Filed: **Sep. 21, 2015**

(51) **LOC (10) Cl.** ..... **16-01**

(52) **U.S. Cl.**  
USPC ..... **D16/203**

(58) **Field of Classification Search**  
USPC ..... D16/200, 202–206, 218, 219, 242;  
348/143, 148, 151, 373–376; 396/419,  
396/427, 535, 539–541  
CPC ..... G03B 17/02; G03B 19/04; G03B 17/56;  
G03B 17/04; G03B 15/03; H04N 5/2251;  
H04N 5/2252; H04N 5/2253; H04N  
5/2254; H04N 7/181; H04N 7/183; H04N  
7/18; G08B 13/1963; G08B 13/19619;  
G08B 13/19632; F16M 11/04; F16M  
13/00

See application file for complete search history.

(56) **References Cited**

**U.S. PATENT DOCUMENTS**

3,023,920 A 1/1960 Cook et al.  
D307,915 S 5/1990 Kuester

D340,940 S 11/1993 Ellenberger et al.  
D392,300 S 3/1998 Chow et al.  
D416,032 S 11/1999 Bakshi  
D428,618 S 7/2000 McBride  
D438,227 S 2/2001 Grotto  
D446,801 S 8/2001 Adachi et al.  
D449,630 S 10/2001 Rak et al.  
D452,696 S 1/2002 Fenton  
D457,904 S \* 5/2002 Toste ..... D16/203  
D461,485 S \* 8/2002 Jones ..... 396/427  
D468,697 S 1/2003 Straub, Jr.

(Continued)

**OTHER PUBLICATIONS**

Axis Communications, "AXIS M11 Network Camera Series", data sheet; 4 pages, copyright 2012.

(Continued)

*Primary Examiner* — Philip S Hyder

*Assistant Examiner* — Ramzi Almatrahi

(74) *Attorney, Agent, or Firm* — Klarquist Sparkman, LLP

(57) **CLAIM**

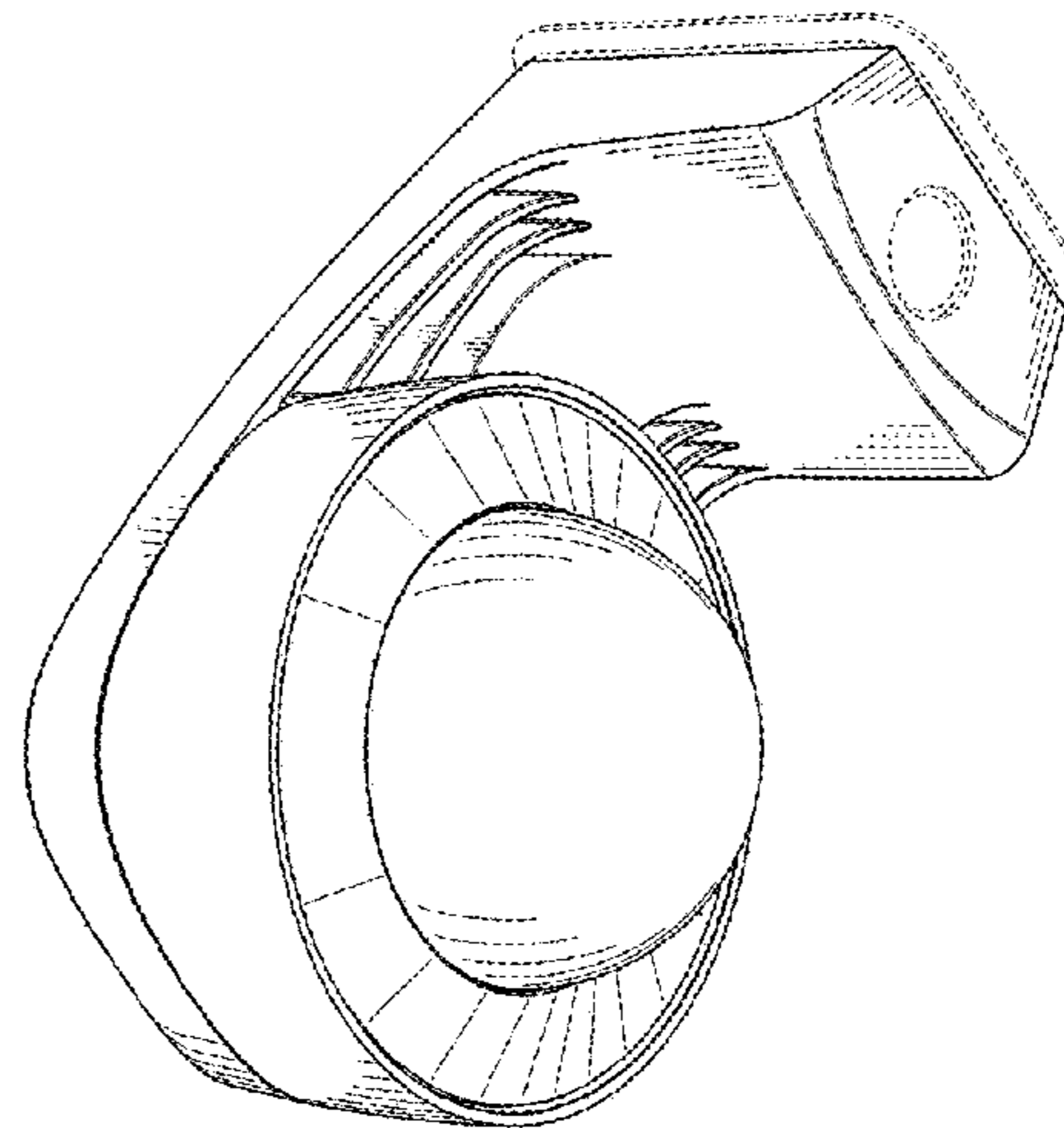
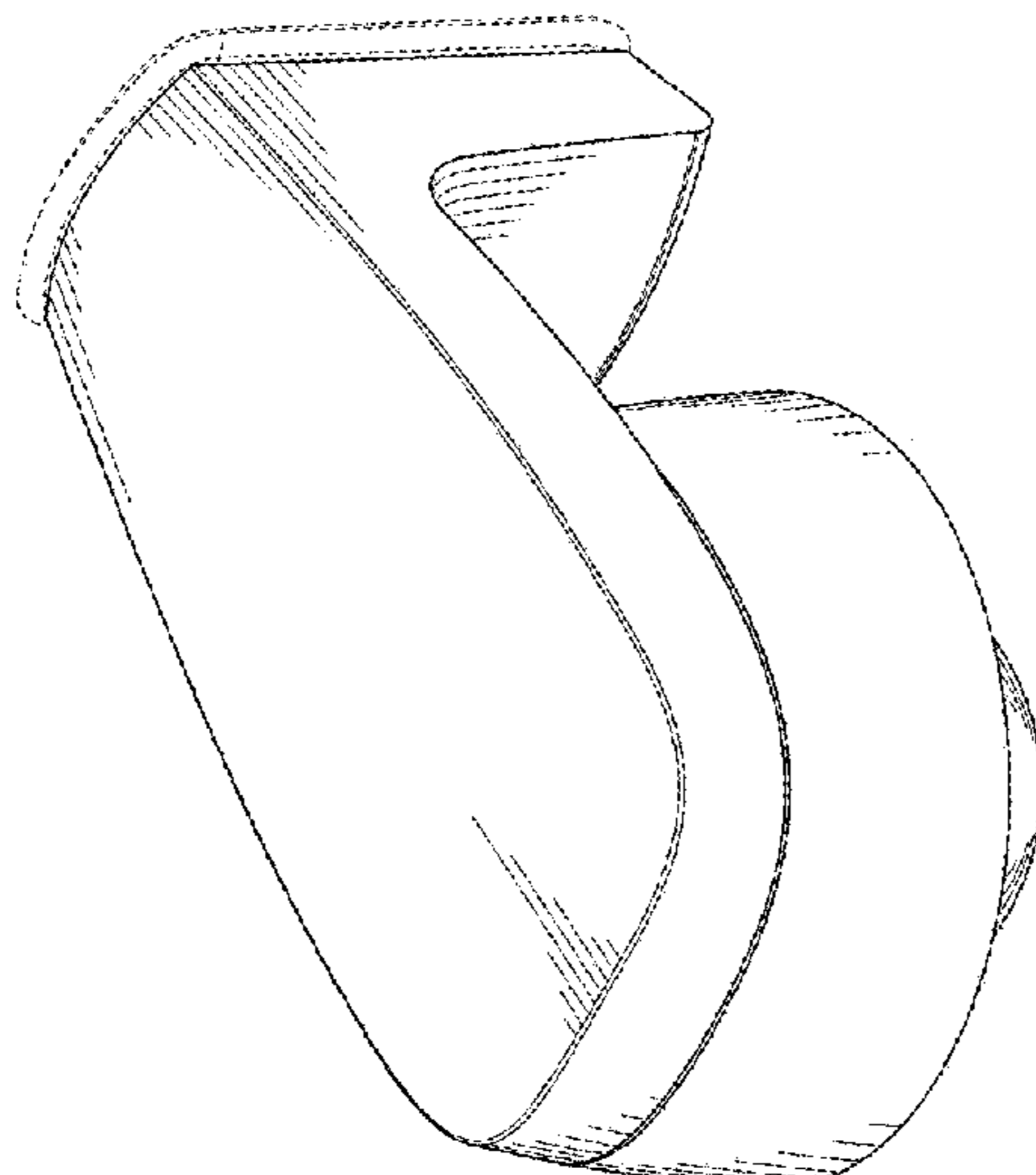
We claim the ornamental design for a wall-mounted pendant enclosure for a spherical camera, as shown and described.

**DESCRIPTION**

FIG. 1 is a top perspective view of a wall-mounted pendant enclosure for a spherical camera;  
FIG. 2 is a bottom perspective view thereof;  
FIG. 3 is a front elevation view thereof;  
FIG. 4 is a back elevation view thereof;  
FIG. 5 is a right side elevation view thereof;  
FIG. 6 is a left side elevation view thereof;  
FIG. 7 is a top plan view thereof; and,  
FIG. 8 is a bottom plan view thereof.

The broken lines depict portions of a wall-mounted pendant enclosure for a spherical camera in which the design is embodied that form no part of the claimed design.

**1 Claim, 8 Drawing Sheets**



(56)

References Cited

U.S. PATENT DOCUMENTS

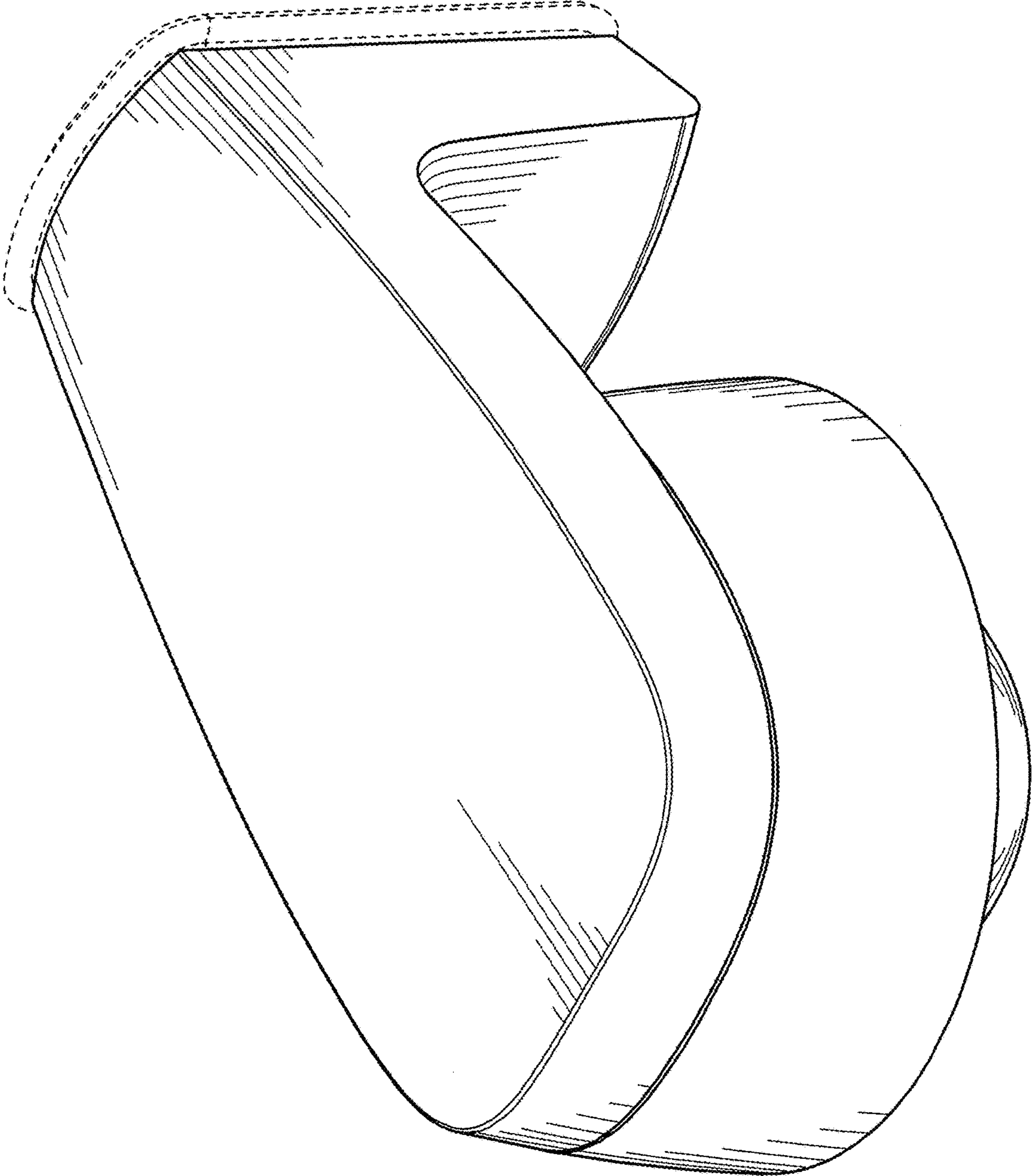
D472,259 S 3/2003 Rupe  
 D473,888 S 4/2003 Jones et al.  
 D474,488 S 5/2003 Arbuckle et al.  
 D481,406 S 10/2003 Alessio  
 D481,407 S 10/2003 Alessio  
 D489,744 S 5/2004 Muto  
 D507,804 S 7/2005 Nagai  
 D508,710 S 8/2005 Nagai  
 D508,934 S 8/2005 Nagai  
 D510,374 S 10/2005 Greenwood et al.  
 D512,087 S 11/2005 Kato et al.  
 D514,150 S 1/2006 Muto et al.  
 D515,607 S 2/2006 Cheng  
 D522,035 S 5/2006 Muto  
 D527,405 S \* 8/2006 Kim ..... D16/202  
 D528,144 S 9/2006 Takemasa  
 D529,063 S 9/2006 Cheng  
 D539,751 S 4/2007 Kiely  
 D540,360 S 4/2007 Yamakawa  
 D541,326 S 4/2007 Ford et al.  
 D543,568 S 5/2007 Naruki  
 D551,275 S 9/2007 Kim  
 D552,501 S 10/2007 Lin et al.  
 D554,170 S 10/2007 Grotto  
 D575,810 S 8/2008 Alm  
 D578,561 S 10/2008 Dumanogullari  
 D582,460 S 12/2008 Yoo et al.  
 D592,231 S 5/2009 Schnell  
 D594,048 S 6/2009 Yamakawa  
 D595,659 S 7/2009 Maurer et al.  
 D601,096 S 9/2009 Vigorito et al.  
 D606,105 S \* 12/2009 Hinkel ..... D16/203  
 D607,033 S 12/2009 Arbuckle et al.  
 D609,727 S 2/2010 Adolfsson et al.  
 D610,178 S 2/2010 Adolfsson et al.  
 D610,183 S 2/2010 Nohavec et al.  
 D612,712 S 3/2010 Rix  
 D614,222 S 4/2010 Yamakawa  
 D615,114 S 5/2010 Arnold et al.  
 D620,513 S \* 7/2010 Richards ..... D16/203  
 D628,225 S 11/2010 Deurwaarder

D635,173 S 3/2011 Yamakawa  
 D638,871 S 5/2011 Bergstrom et al.  
 D639,843 S \* 6/2011 Zeinoun ..... D16/203  
 D642,607 S 8/2011 Bergstrom et al.  
 D643,452 S 8/2011 Alm et al.  
 D645,071 S 9/2011 Hinkel  
 D661,719 S 6/2012 Katori et al.  
 D662,120 S 6/2012 Deurwaarder  
 D664,178 S 7/2012 Hinkel  
 D666,660 S 9/2012 Amit et al.  
 D668,701 S 10/2012 Ohno et al.  
 D676,814 S 2/2013 Paul  
 D676,887 S 2/2013 Nakashima et al.  
 D677,634 S 3/2013 Korcz et al.  
 D679,252 S 4/2013 Wagner et al.  
 D684,618 S 6/2013 Park et al.  
 D684,619 S 6/2013 Chapple et al.  
 D684,935 S 6/2013 DeCosta  
 D690,344 S 9/2013 Hollinger  
 D694,798 S 12/2013 Deurwaarder  
 D696,329 S 12/2013 Horiki et al.  
 D697,123 S 1/2014 Takahashi et al.  
 D702,198 S 4/2014 Gretz  
 D702,275 S 4/2014 Ying  
 D722,296 S 2/2015 Taylor  
 D725,692 S 3/2015 Celler  
 D731,574 S 6/2015 Hallstrom et al.  
 D732,596 S 6/2015 Wang et al.  
 D732,597 S 6/2015 Celler  
 D740,872 S \* 10/2015 Wada ..... D16/203  
 D741,933 S \* 10/2015 Bergstrom ..... D16/203  
 D744,570 S \* 12/2015 Criscuolo ..... D16/203  
 D744,571 S \* 12/2015 Stark ..... D16/203  
 D746,349 S \* 12/2015 Yung ..... D16/203  
 D750,682 S \* 3/2016 Andersson ..... D16/203  
 2002/0140850 A1 \* 10/2002 Toste ..... G08B 13/19632  
 348/375

OTHER PUBLICATIONS

Axis Communications, "AXIS M11-L Network Camera Series", data sheet; 4 pages, copyright 2012.

\* cited by examiner



**FIG. 1**

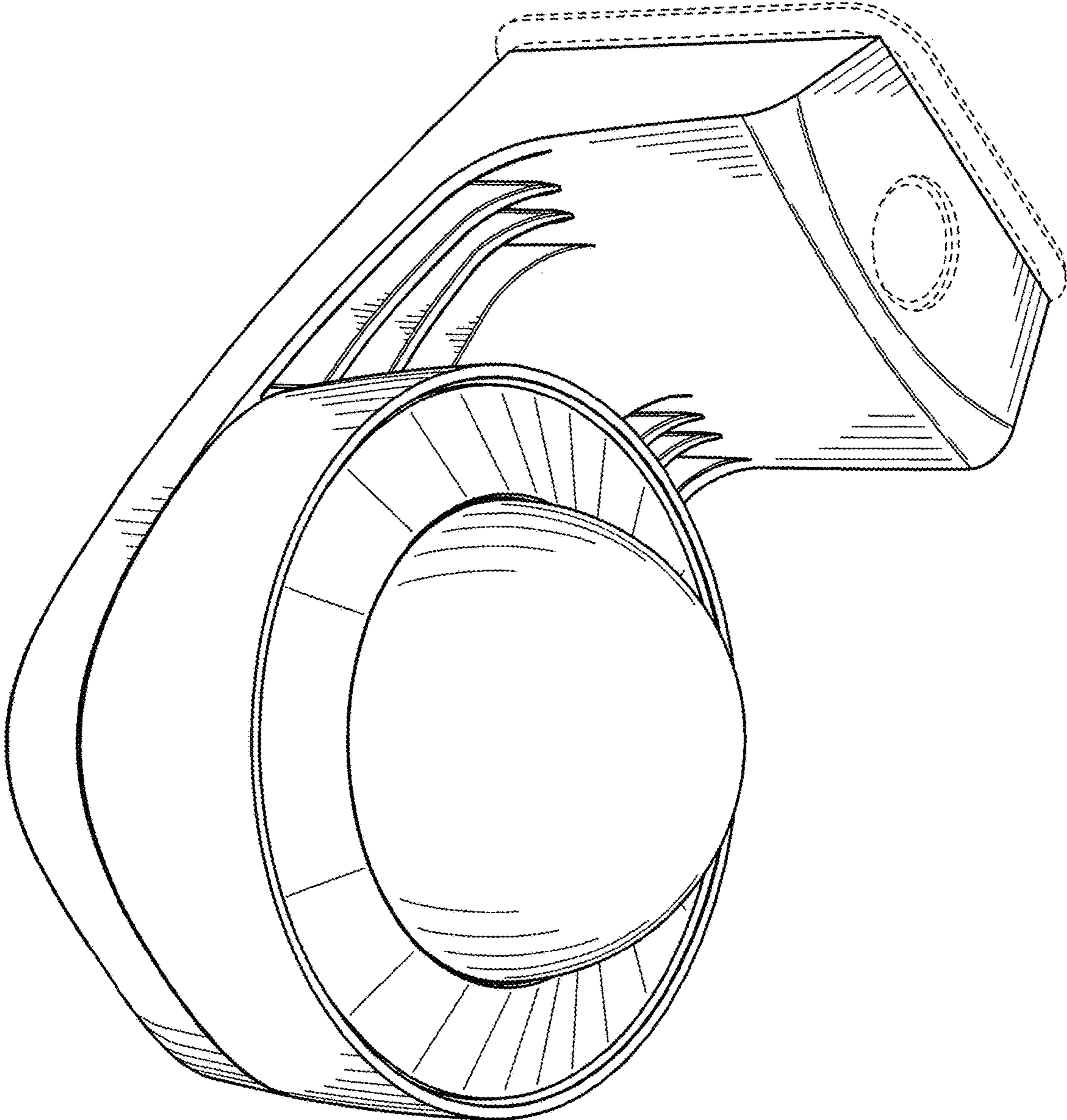
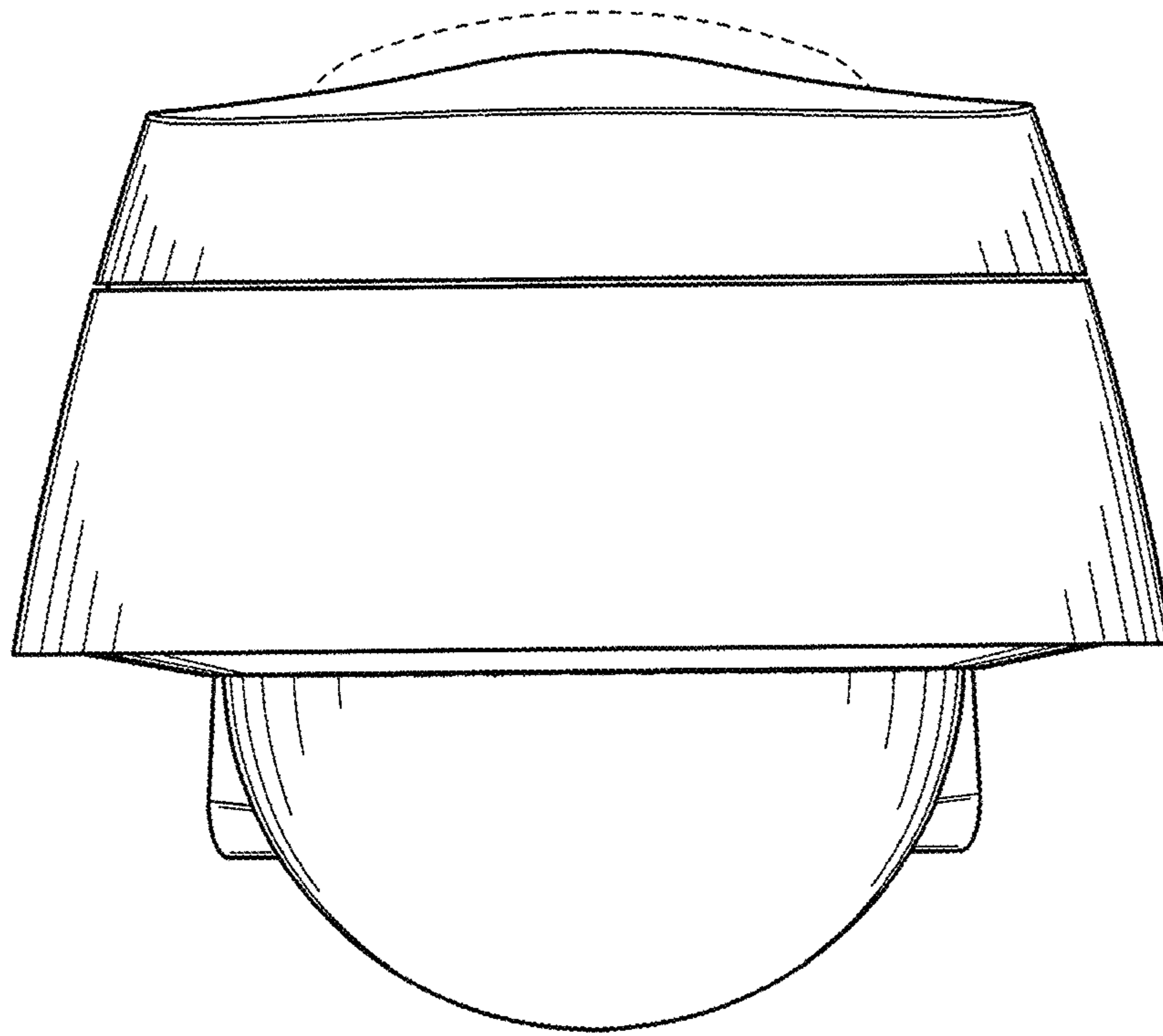


FIG. 2



**FIG. 3**

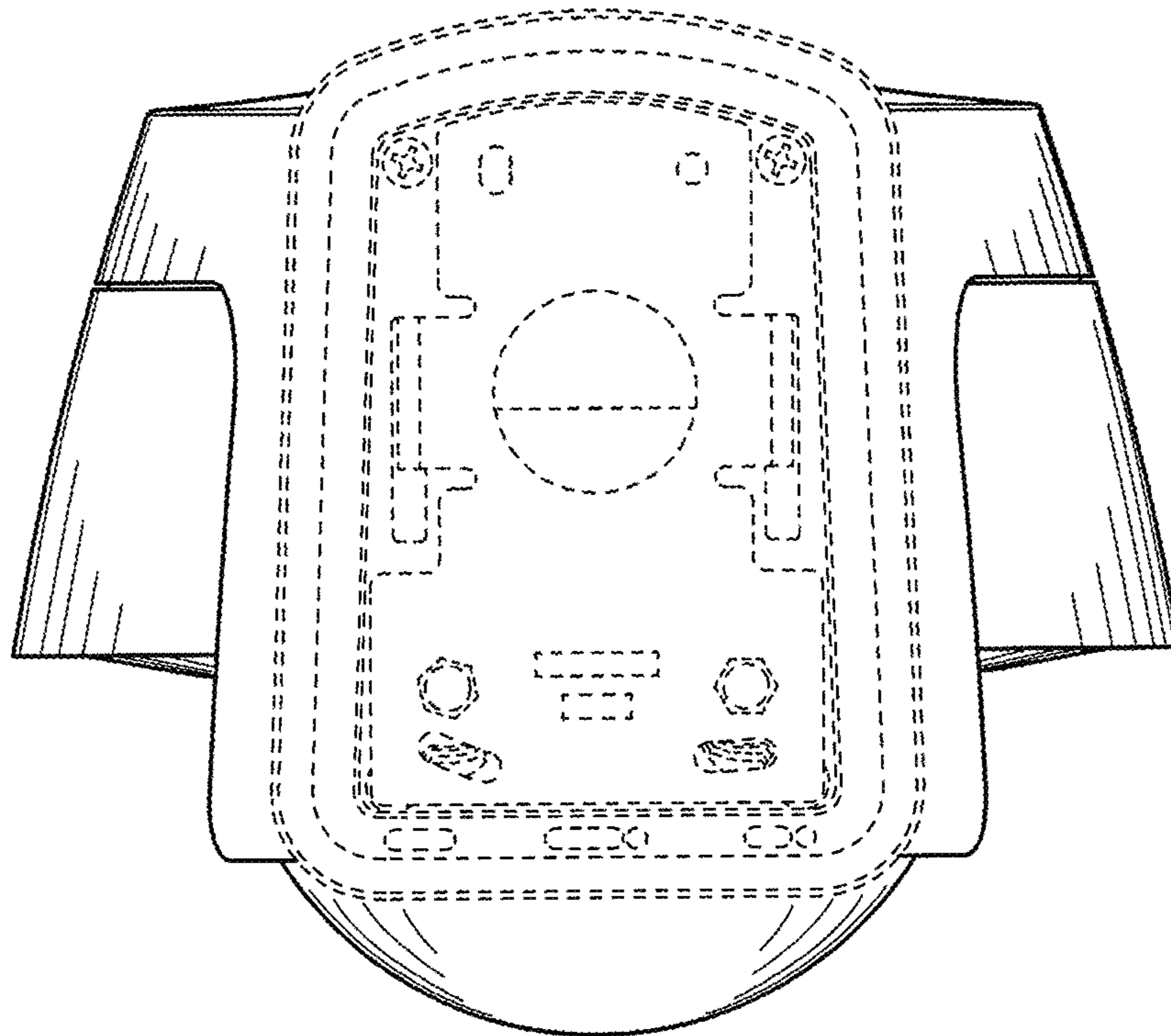
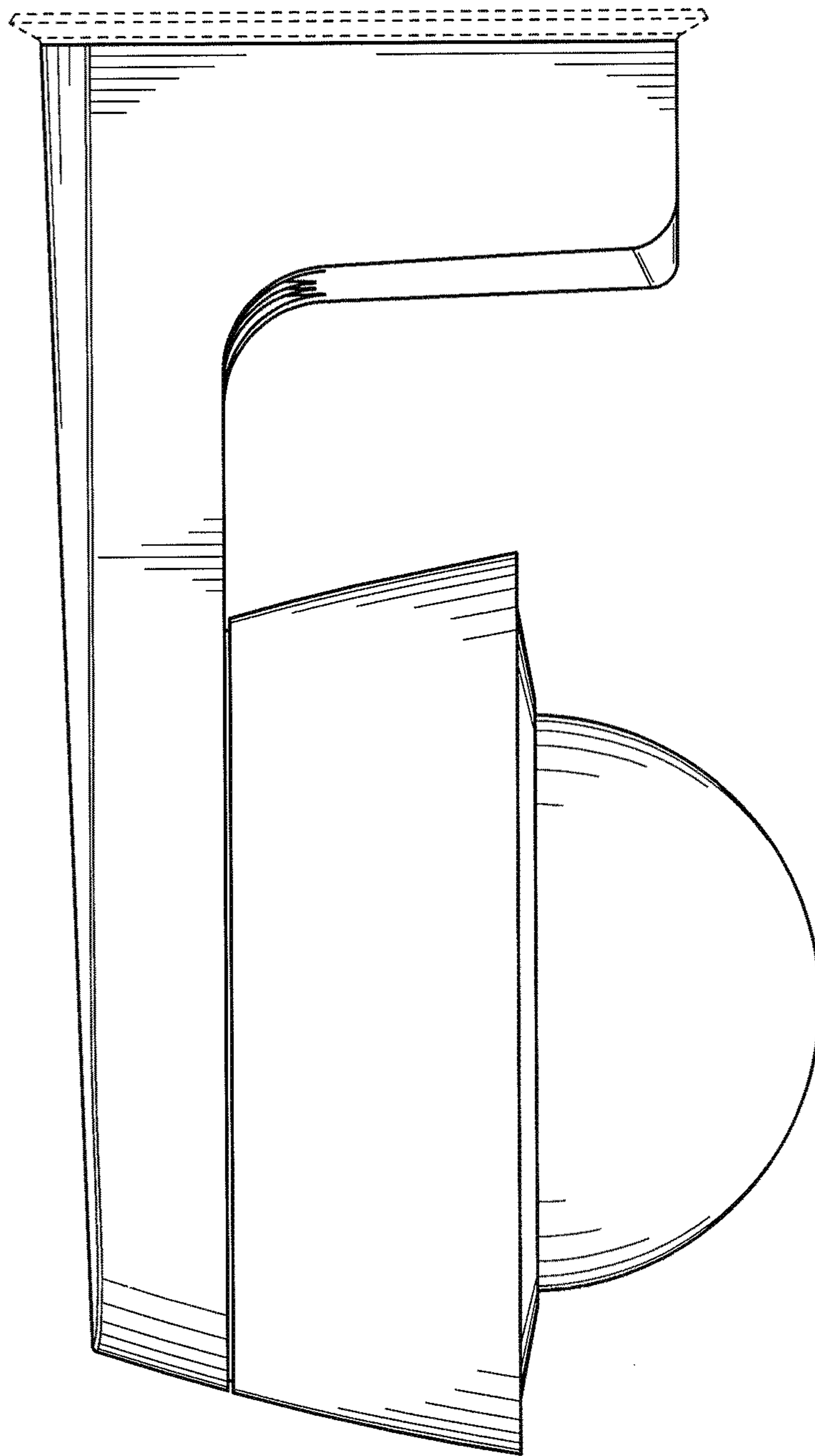


FIG. 4



**FIG. 5**

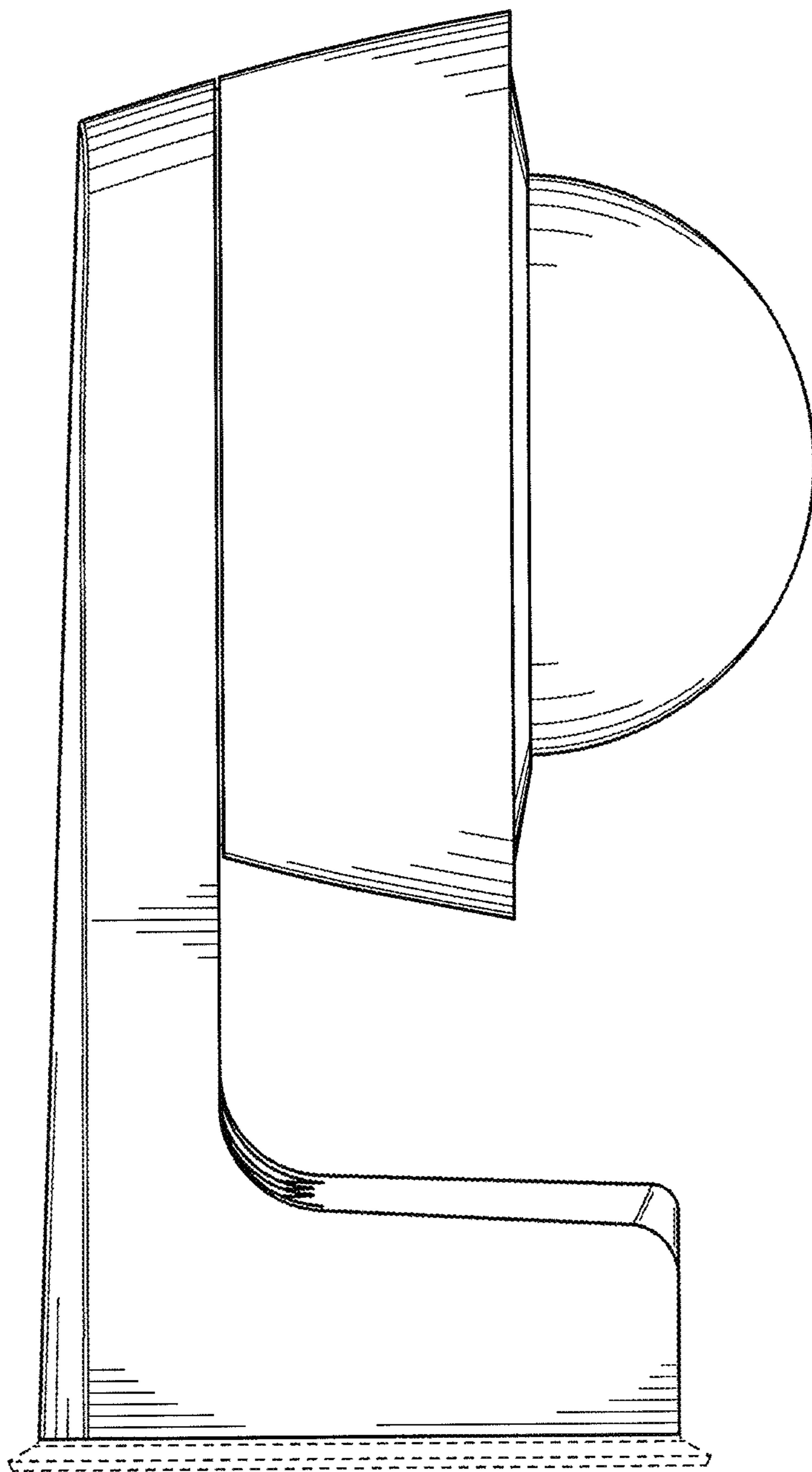
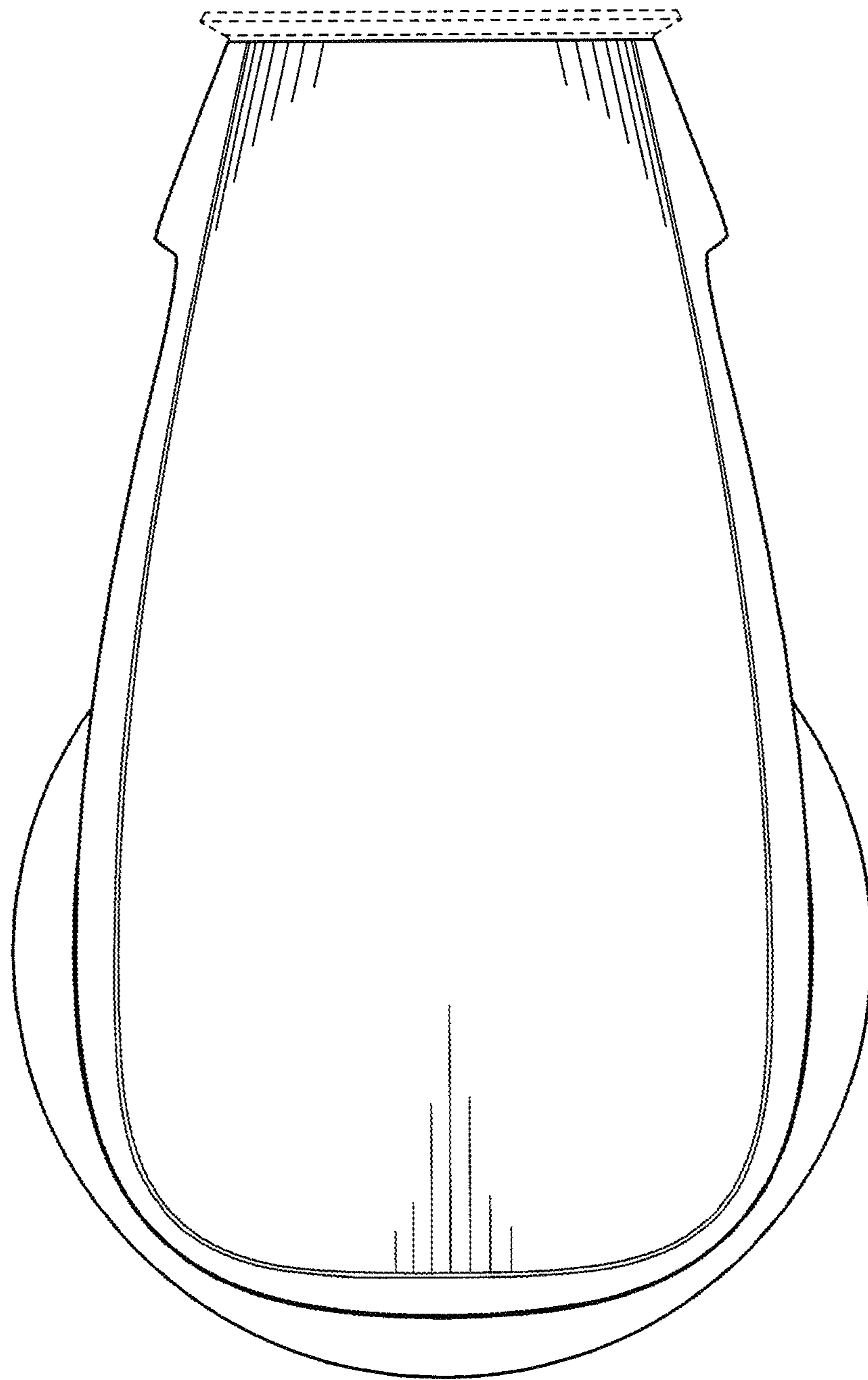


FIG. 6





**FIG. 7**

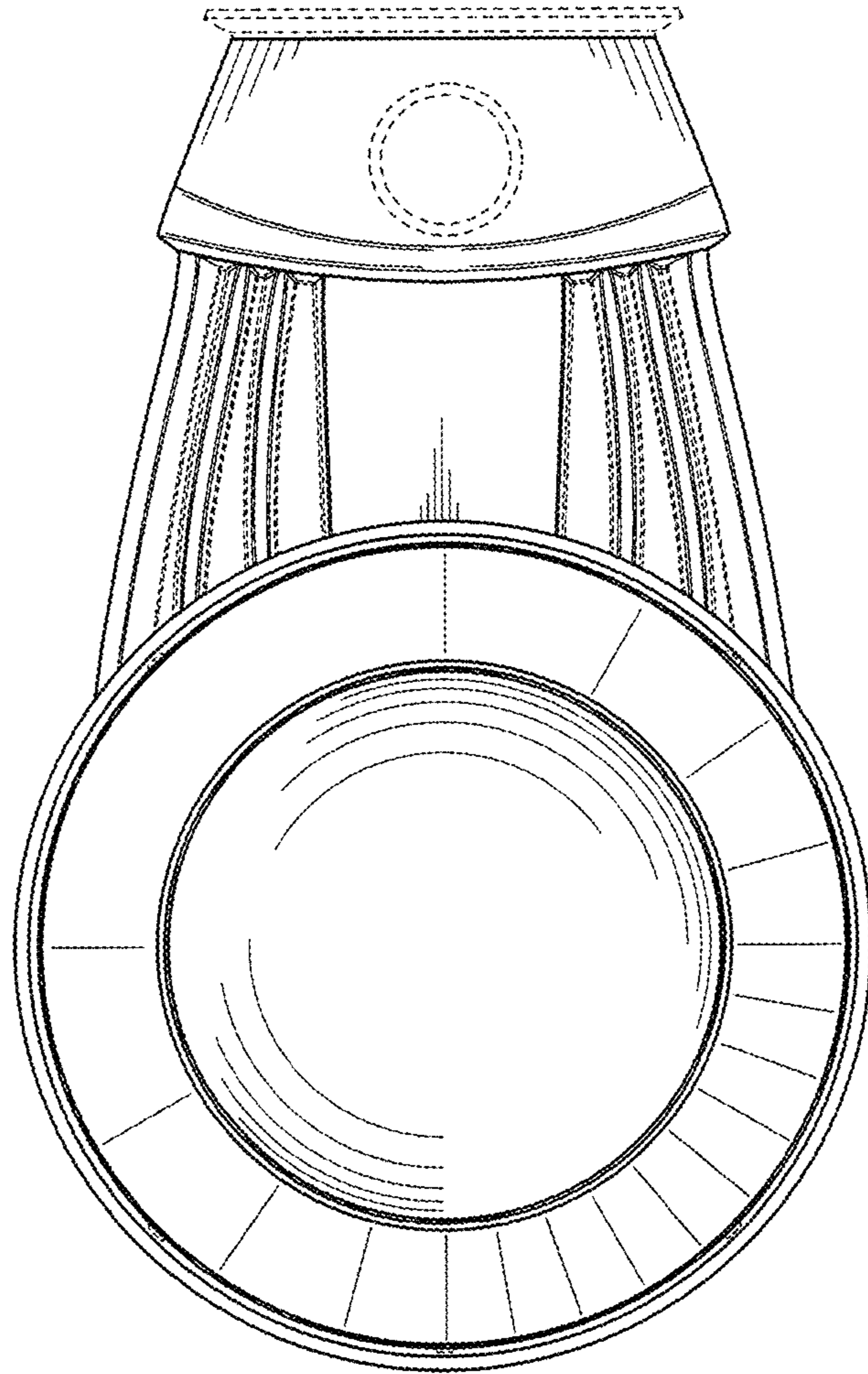


FIG. 8