

US00D798356S

(12) **United States Design Patent** (10) **Patent No.:** **US D798,356 S**  
**Grasheim** (45) **Date of Patent:** **\*\* Sep. 26, 2017**

(54) **COMBINED SWITCH PANEL AND HOUSING FOR A NIGHT VISION DEVICE**

(71) Applicant: **Nightline, Inc.**, Mountain City, TN (US)

(72) Inventor: **Walter Lee Grasheim**, Mountain City, TN (US)

(73) Assignee: **Nightline, Inc.**, Mountain City, TN (US)

(\*\*) Term: **15 Years**

(21) Appl. No.: **29/549,071**

(22) Filed: **Dec. 18, 2015**

(51) **LOC (10) Cl.** ..... **16-01**

(52) **U.S. Cl.**  
USPC ..... **D16/132**

(58) **Field of Classification Search**  
USPC ..... D16/130, 131, 132, 134, 136, 137, 219, D16/235, 237; D26/120; D13/174  
CPC ..... G02B 23/16; G02B 23/12; G02B 23/18; G02B 27/0176  
See application file for complete search history.

(56) **References Cited**

**U.S. PATENT DOCUMENTS**

D325,041 S *	3/1992	Wissing	.....	D16/132
D349,509 S *	8/1994	Williams, Jr.	.....	D16/130
D362,257 S *	9/1995	Palmer	.....	D16/133
D371,786 S *	7/1996	Maeyama	.....	D14/168
D413,130 S *	8/1999	Bryant	.....	D16/132
6,111,692 A *	8/2000	Sauter	.....	G02B 23/12 359/399
D472,256 S *	3/2003	Schick	.....	D16/132
D472,569 S *	4/2003	Schick	.....	D16/132

(Continued)

**FOREIGN PATENT DOCUMENTS**

EP 2369408 A1 \* 9/2011 ..... G01C 3/04

*Primary Examiner* — Sheryl Lane

*Assistant Examiner* — Calvin E Vansant

(74) *Attorney, Agent, or Firm* — Mintz Levin Cohn Ferris Glovsky and Popeo, P.C.

(57) **CLAIM**

The ornamental design for a combined switch panel and housing for a night vision device.

**DESCRIPTION**

FIG. 1 is a top, front, right perspective view of a first embodiment of a combined switch panel and housing for a night vision device showing my new design;

FIG. 2 is a right view thereof;

FIG. 3 is a left view thereof;

FIG. 4 is a front view thereof;

FIG. 5 is a back view thereof;

FIG. 6 is a top view thereof;

FIG. 7 is a bottom view thereof;

FIG. 8 is a top, front, right perspective view of a second embodiment of a combined switch panel and housing for a night vision device showing my new design;

FIG. 9 is a right view thereof;

FIG. 10 is a left view thereof;

FIG. 11 is a front view thereof;

FIG. 12 is a back view thereof;

FIG. 13 is a top view thereof;

FIG. 14 is a bottom view thereof;

FIG. 15 is a top, front, right perspective view of a third embodiment of a combined switch panel and housing for a night vision device showing my new design;

FIG. 16 is a right view thereof;

FIG. 17 is a left view thereof;

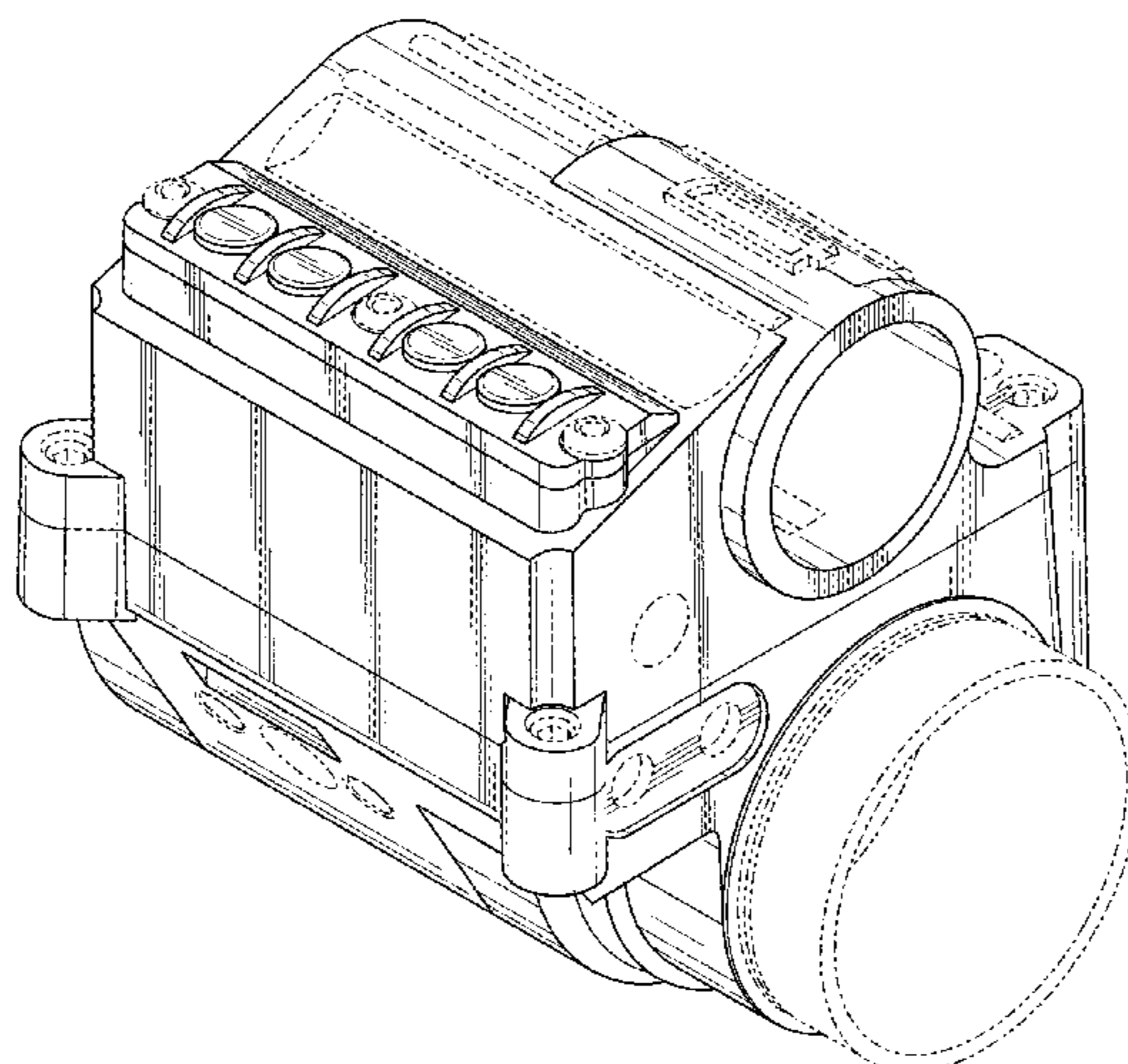
FIG. 18 is a front view thereof;

FIG. 19 is a back view thereof; and,

FIG. 20 is a top view thereof.

The broken lines depict portions of the combined switch panel and housing for a night vision device and form no part of the claim.

**1 Claim, 20 Drawing Sheets**



(56)

**References Cited**

U.S. PATENT DOCUMENTS

D482,710	S *	11/2003	Ho .....	D16/132
D489,386	S *	5/2004	Lewellen .....	D16/203
D492,334	S *	6/2004	Hines .....	D16/132
D522,031	S *	5/2006	Siu .....	D16/132
D539,317	S *	3/2007	Tonhofer .....	D16/132
D547,780	S *	7/2007	Meinzer .....	D16/132
D555,458	S *	11/2007	Kaufman .....	D8/353
D560,175	S *	1/2008	Commare .....	D13/174
D564,555	S *	3/2008	Palmer .....	D16/132
D622,782	S *	8/2010	Chudek .....	D21/385
D696,729	S *	12/2013	Hill .....	D21/385
D716,858	S *	11/2014	Kobayashi .....	D16/132
D723,080	S *	2/2015	Kobayashi .....	D16/132
D752,670	S *	3/2016	Chen .....	D16/132
D768,583	S *	10/2016	Dorn .....	D13/174
2002/0122302	A1 *	9/2002	Palmer .....	B29C 66/12449 361/752
2005/0099683	A1 *	5/2005	Mogamiya .....	G02B 7/04 359/399
2005/0105187	A1 *	5/2005	Flora .....	G02B 23/16 359/611
2008/0007826	A1 *	1/2008	Smith .....	G02B 23/12 359/407
2014/0176934	A1 *	6/2014	Perger .....	G01C 3/04 356/4.01

\* cited by examiner

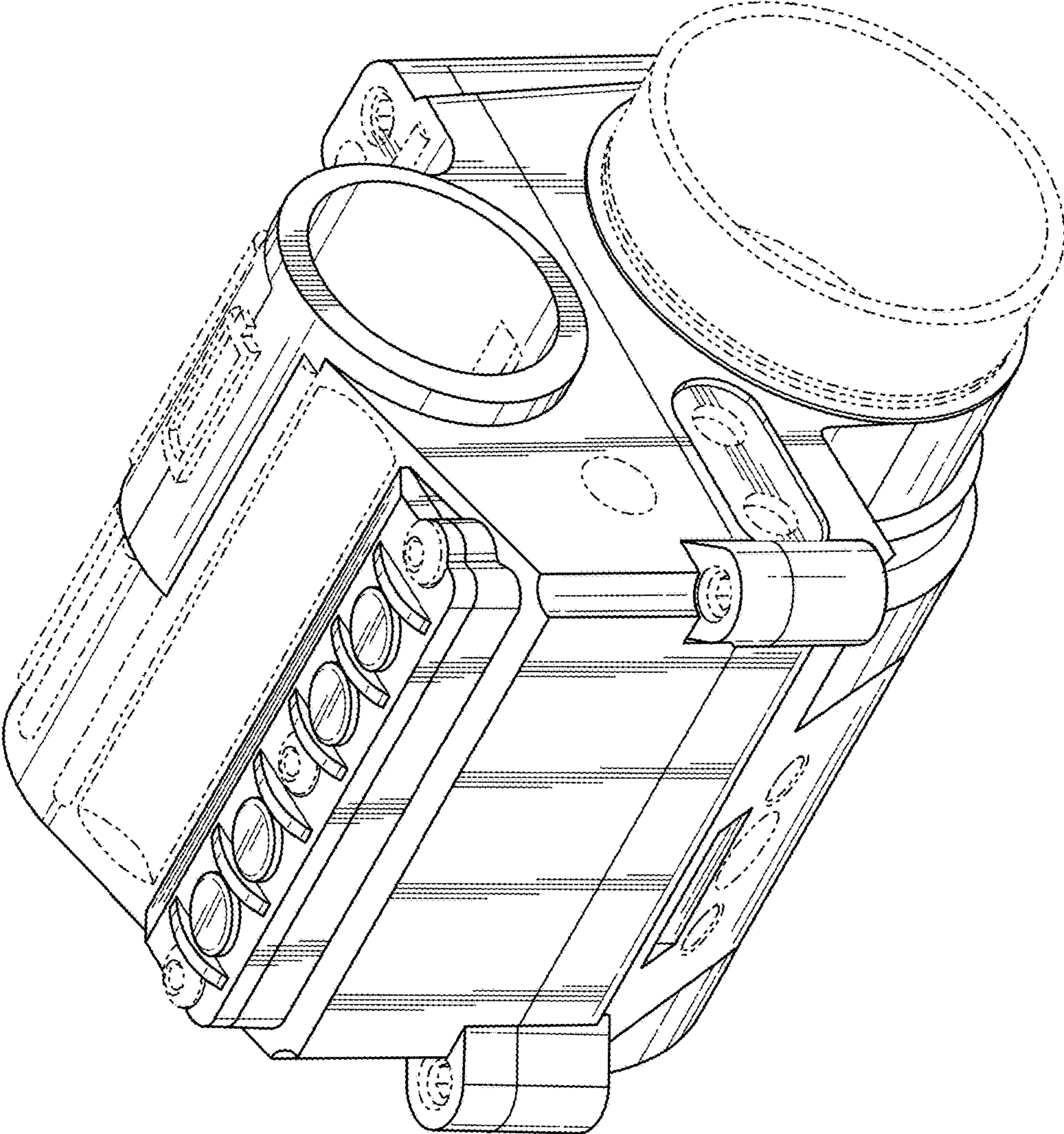


FIG. 1

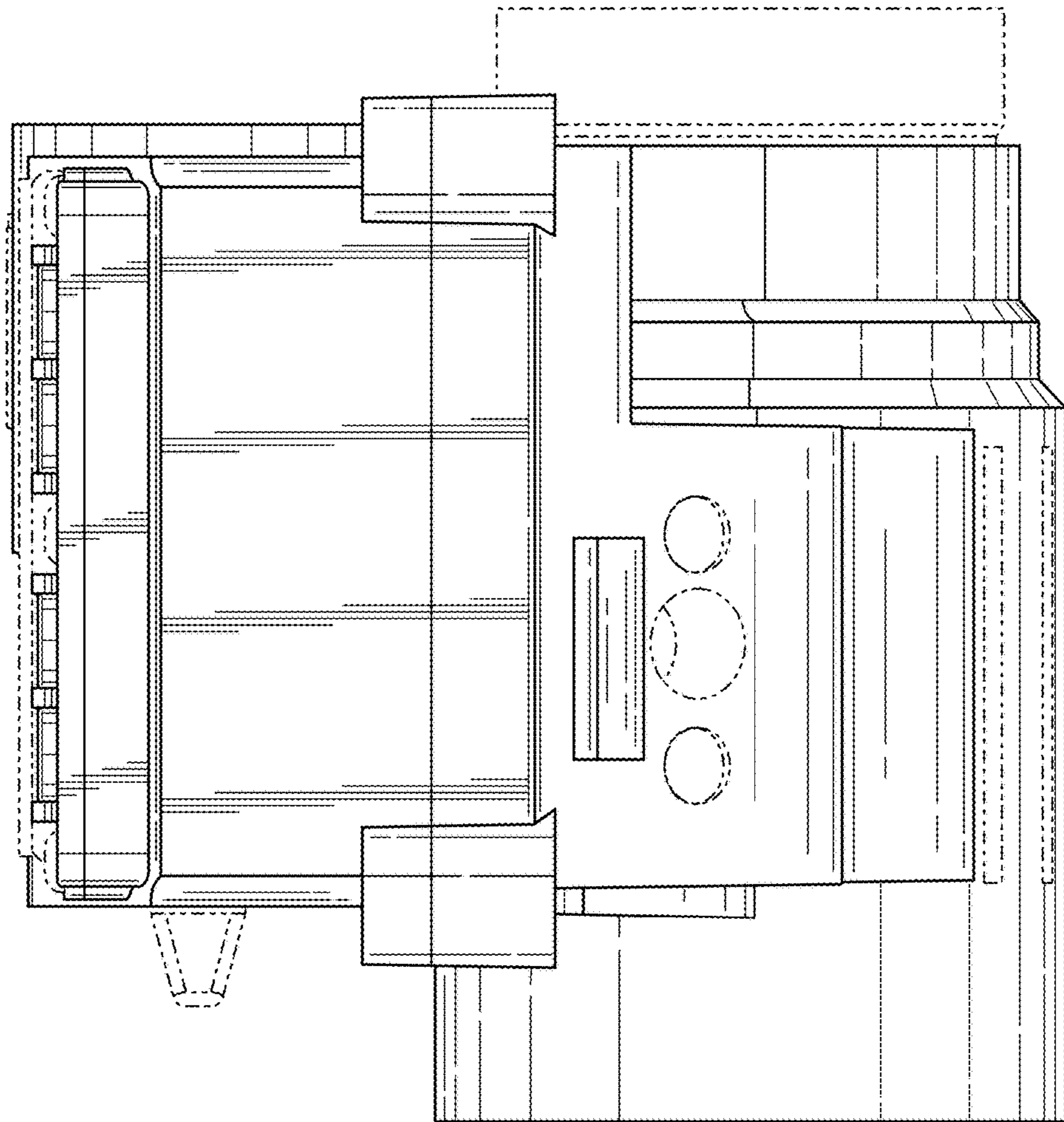


FIG. 2

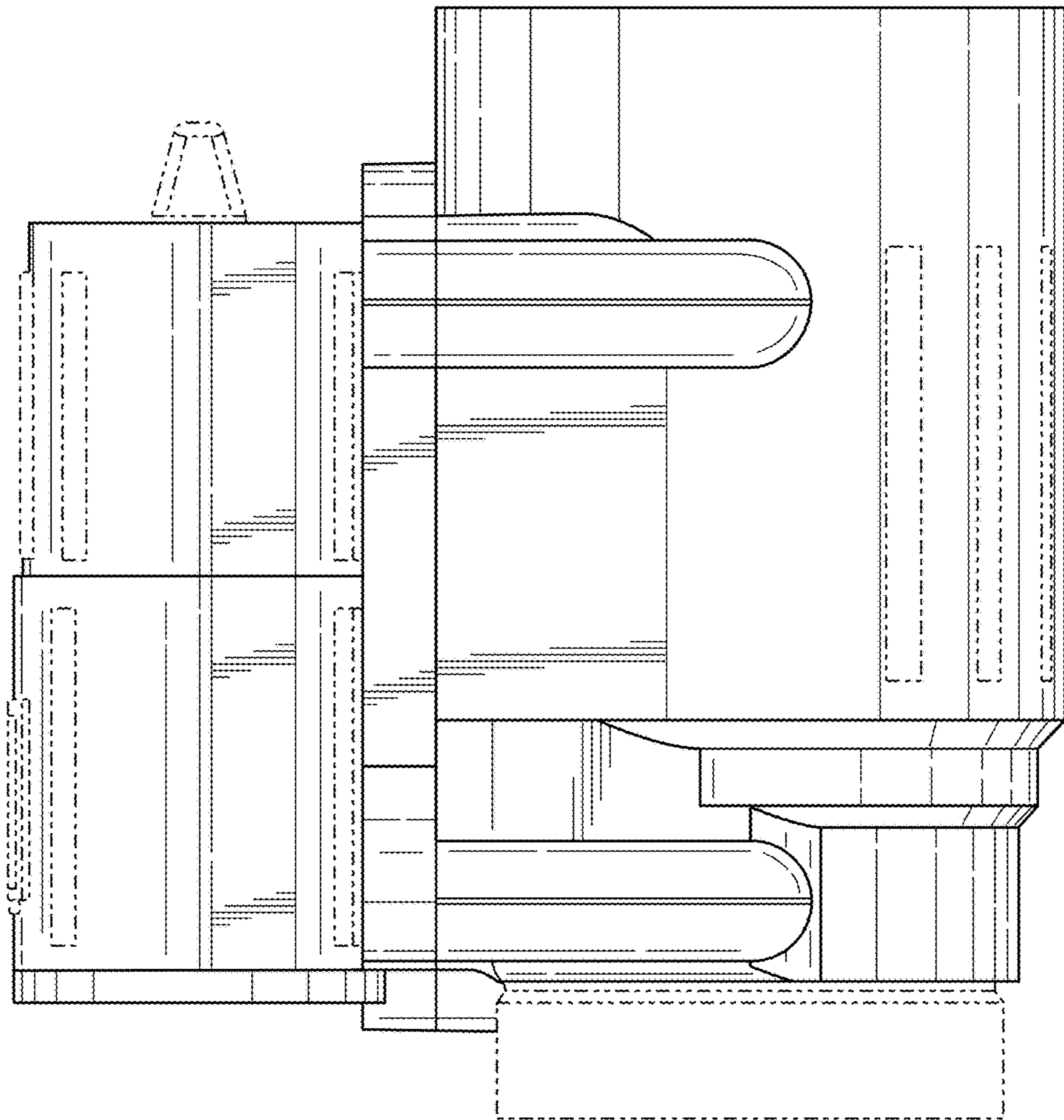


FIG. 3

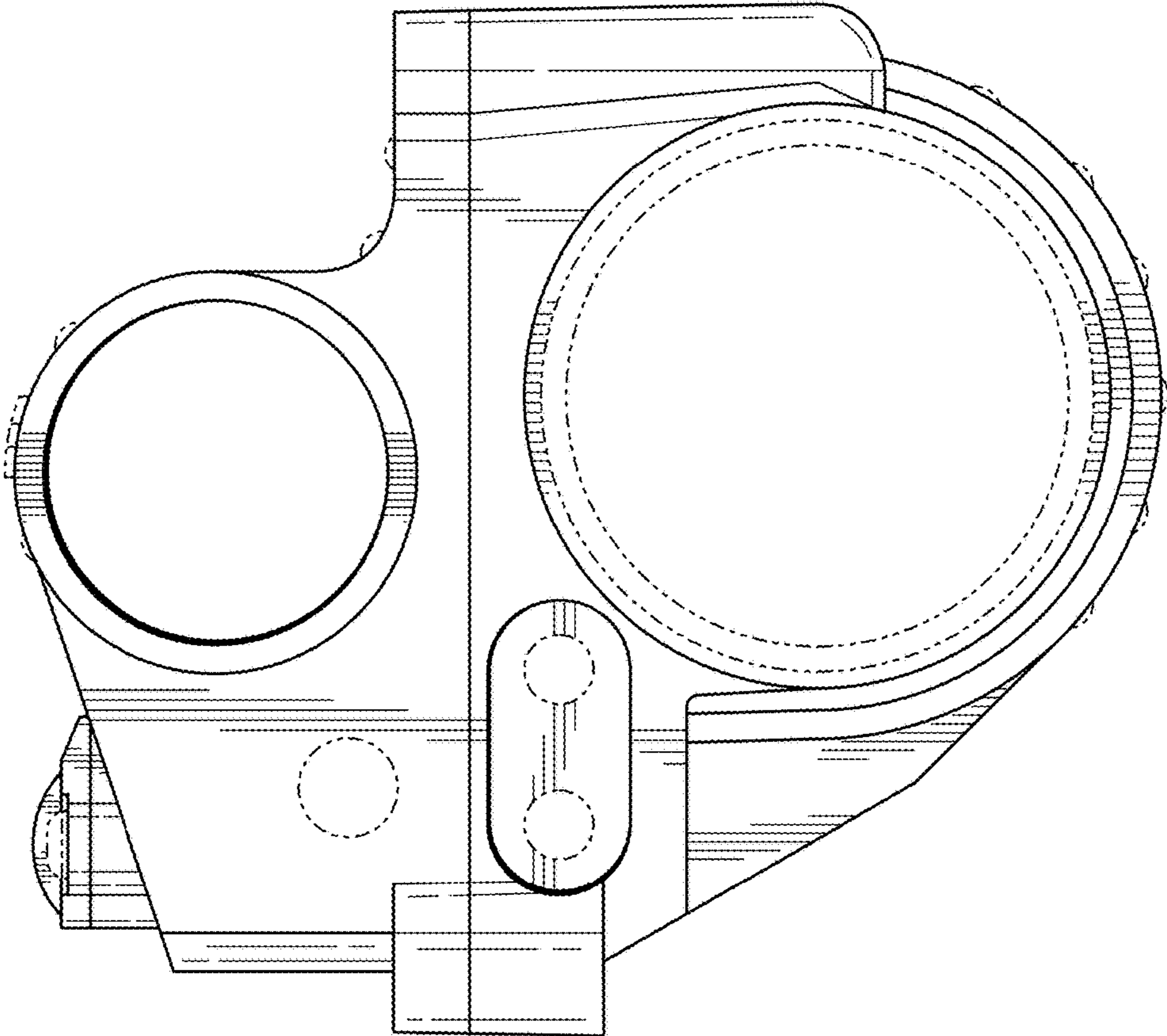


FIG. 4

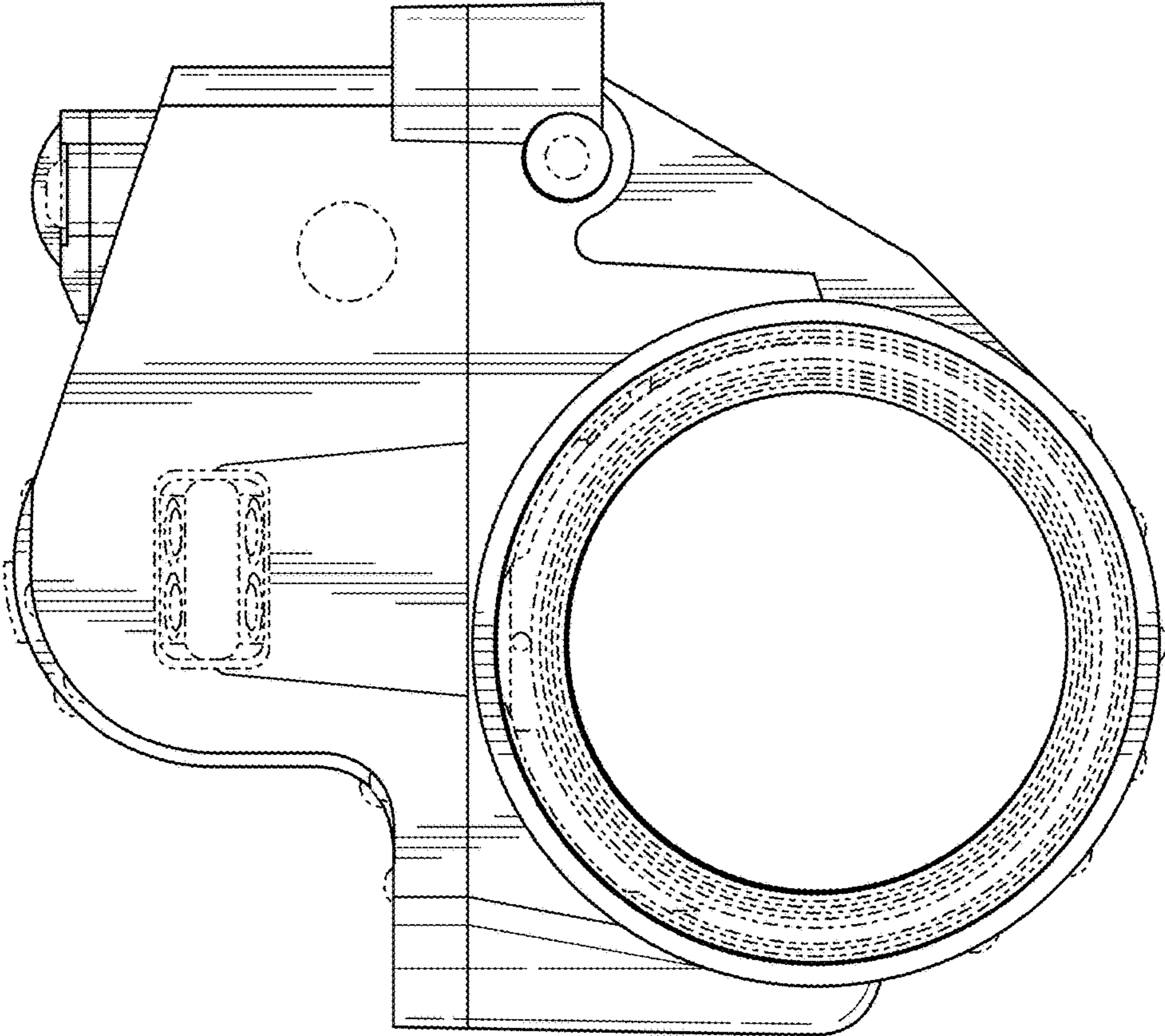


FIG. 5

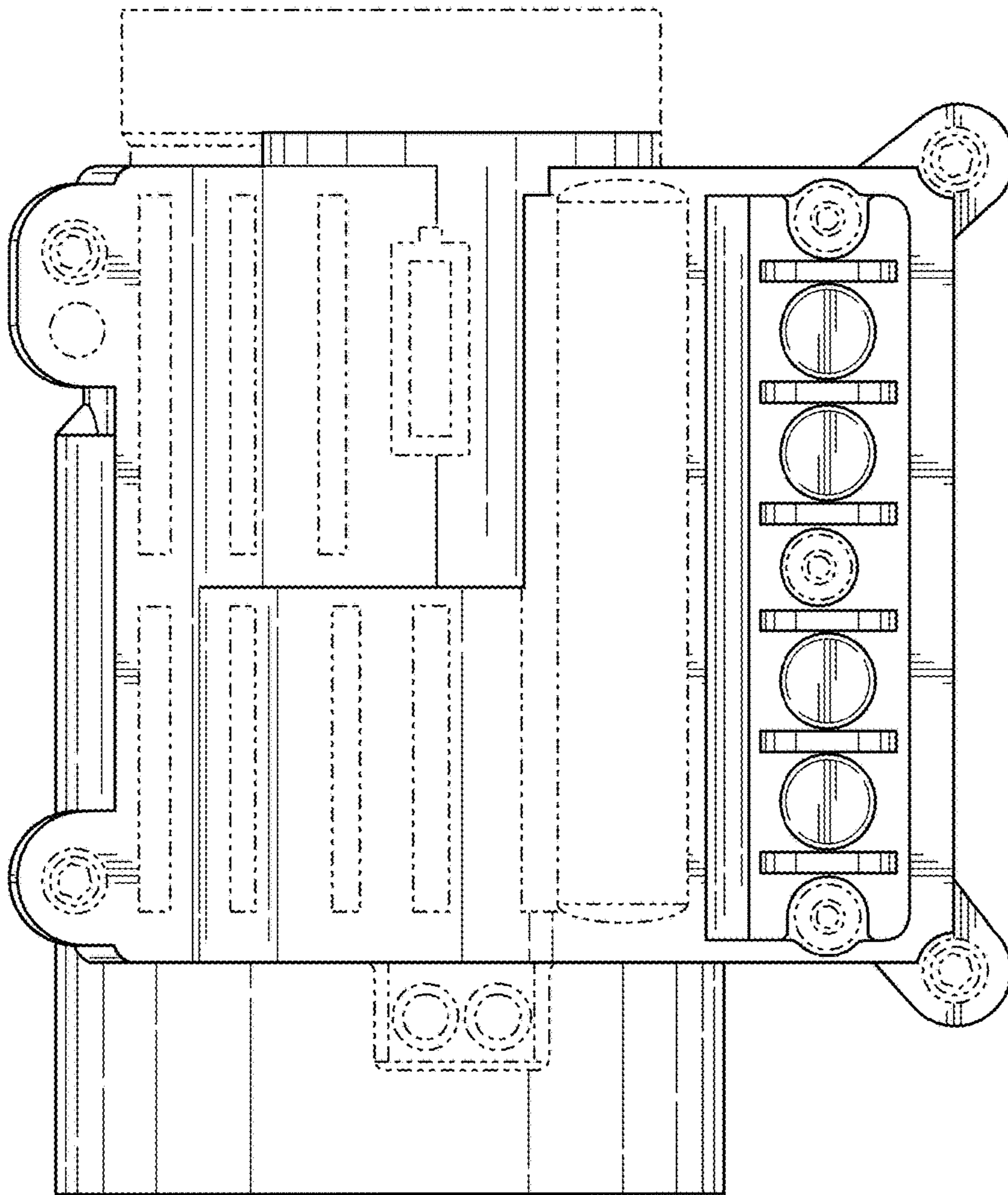


FIG. 6



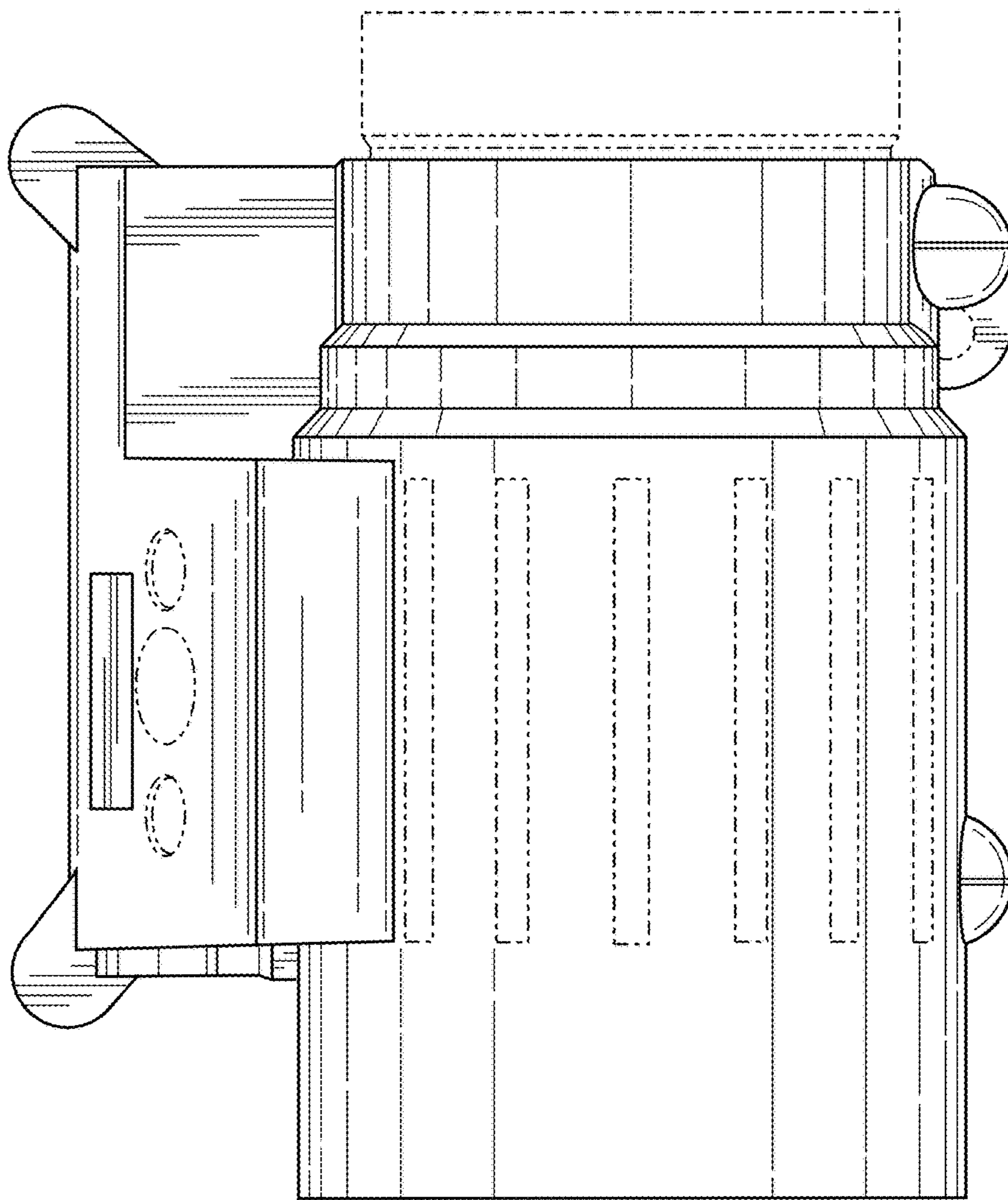


FIG. 7

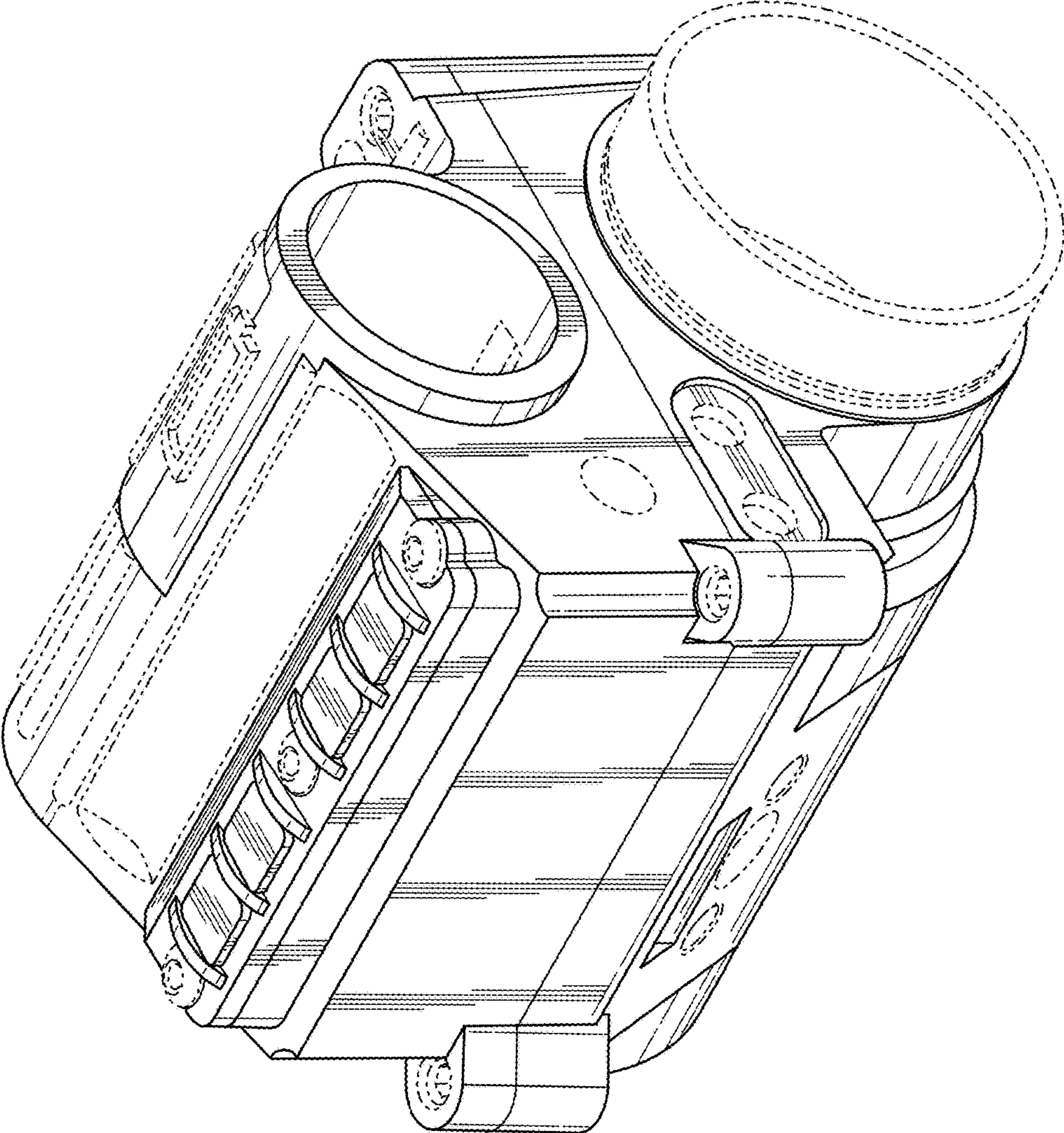


FIG. 8

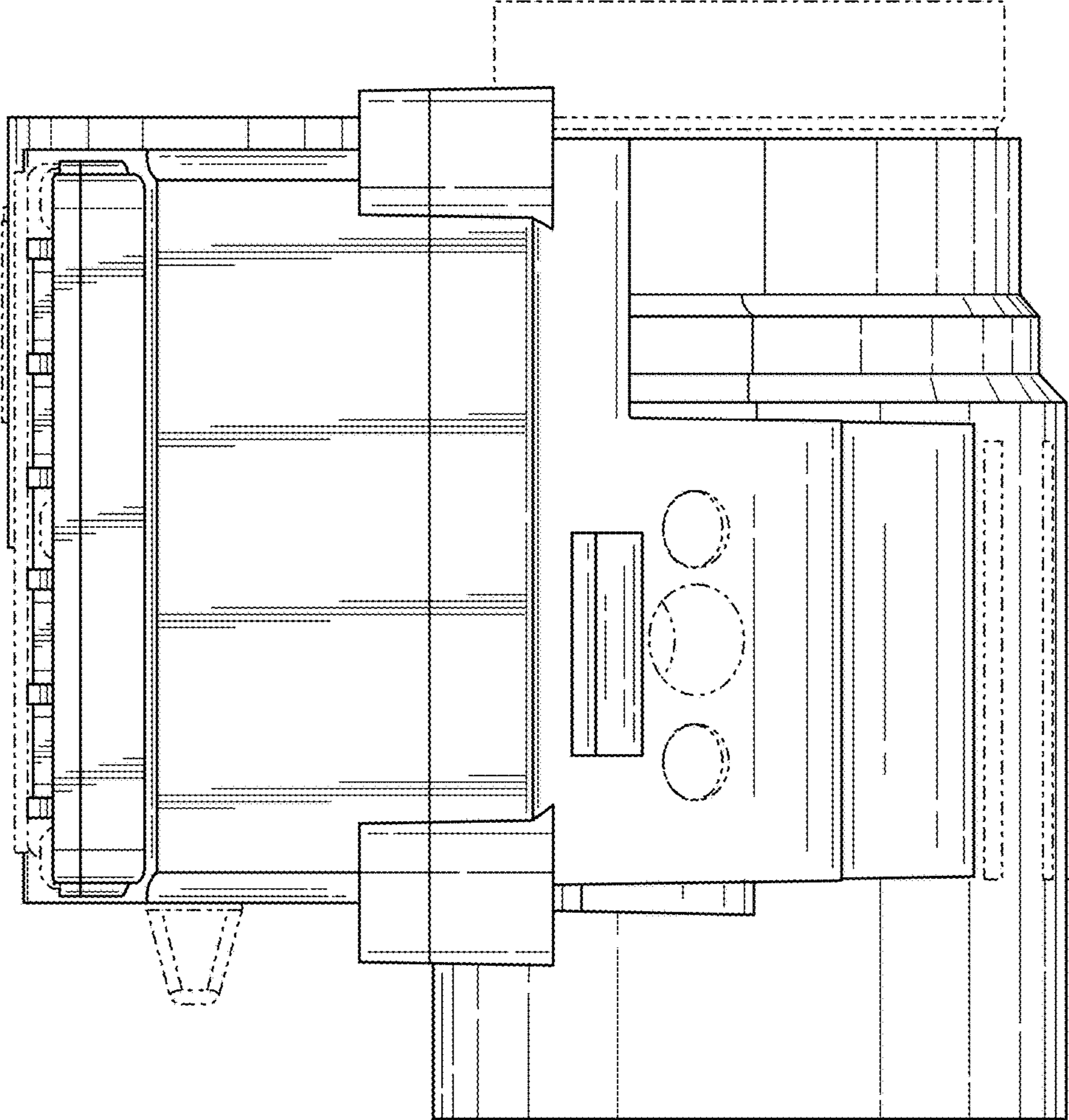


FIG. 9

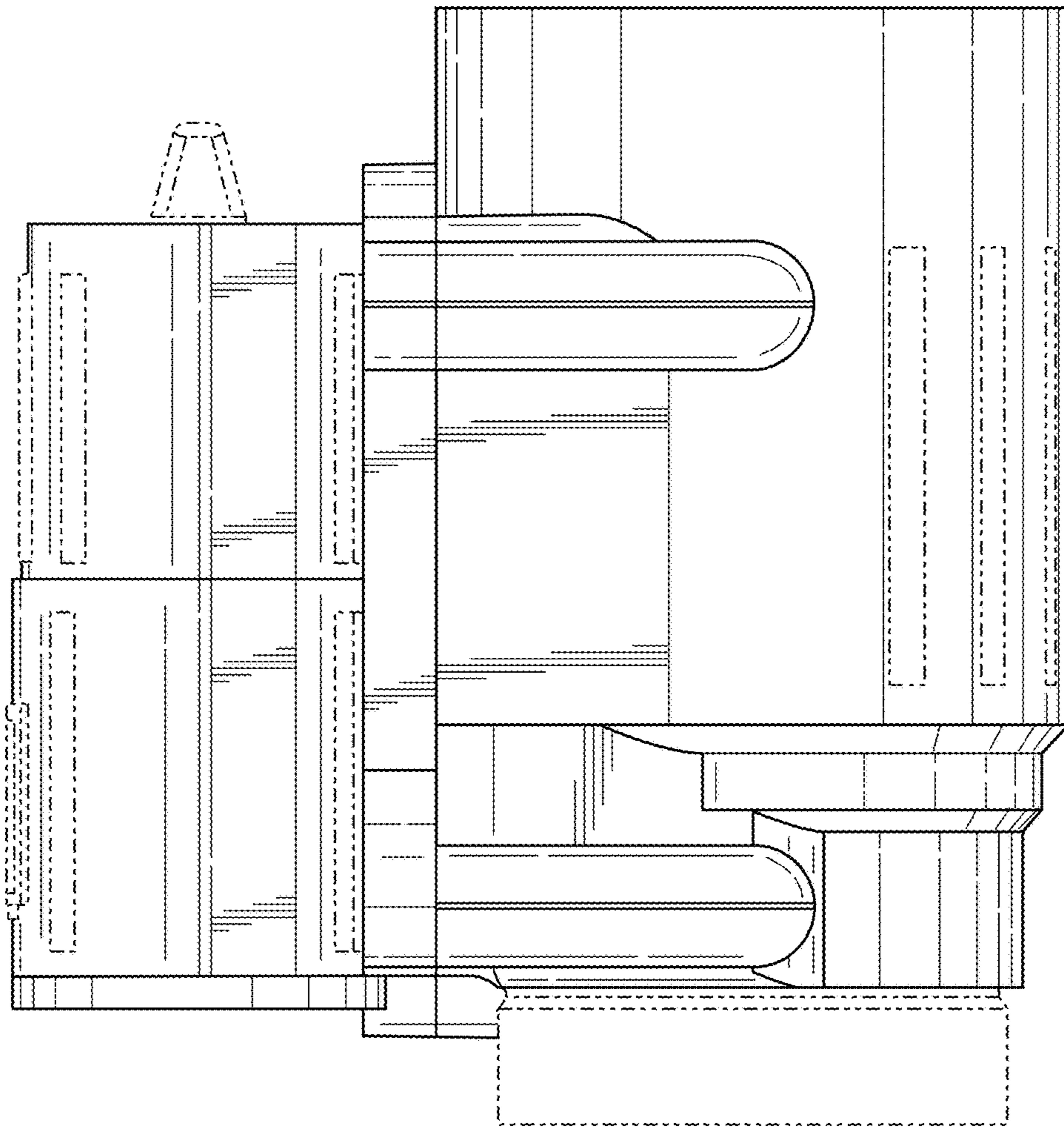


FIG. 10

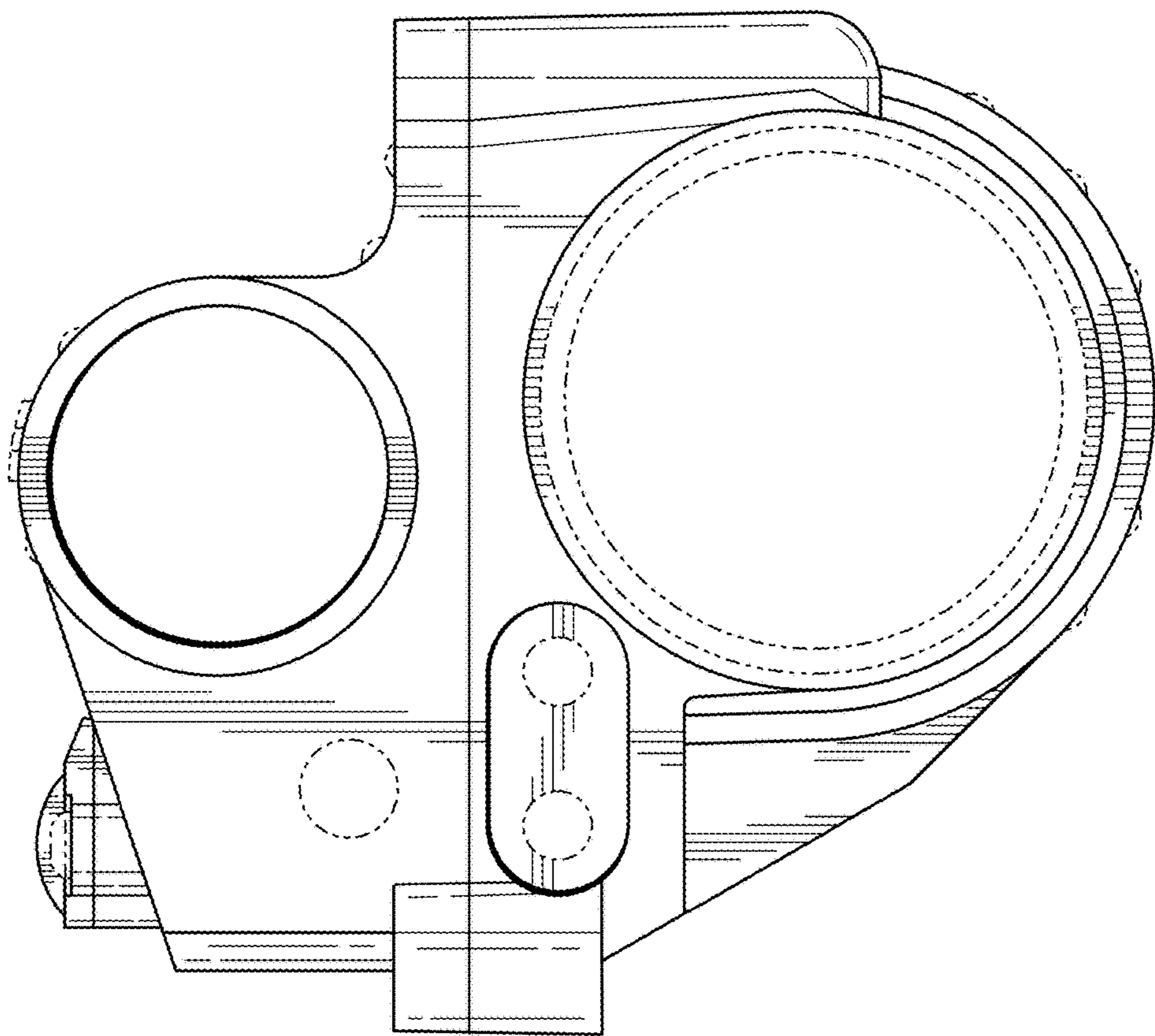


FIG. 11

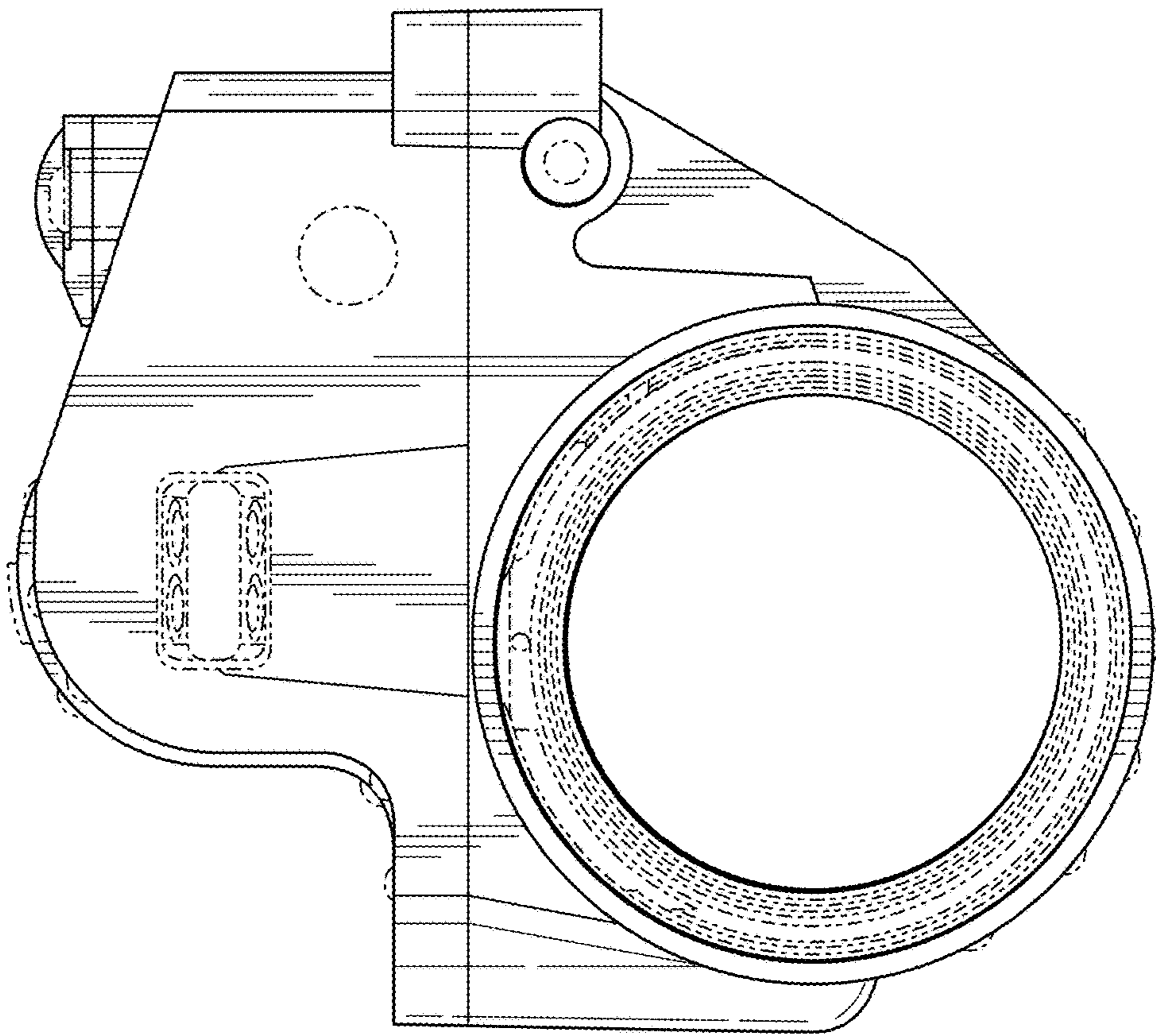


FIG. 12

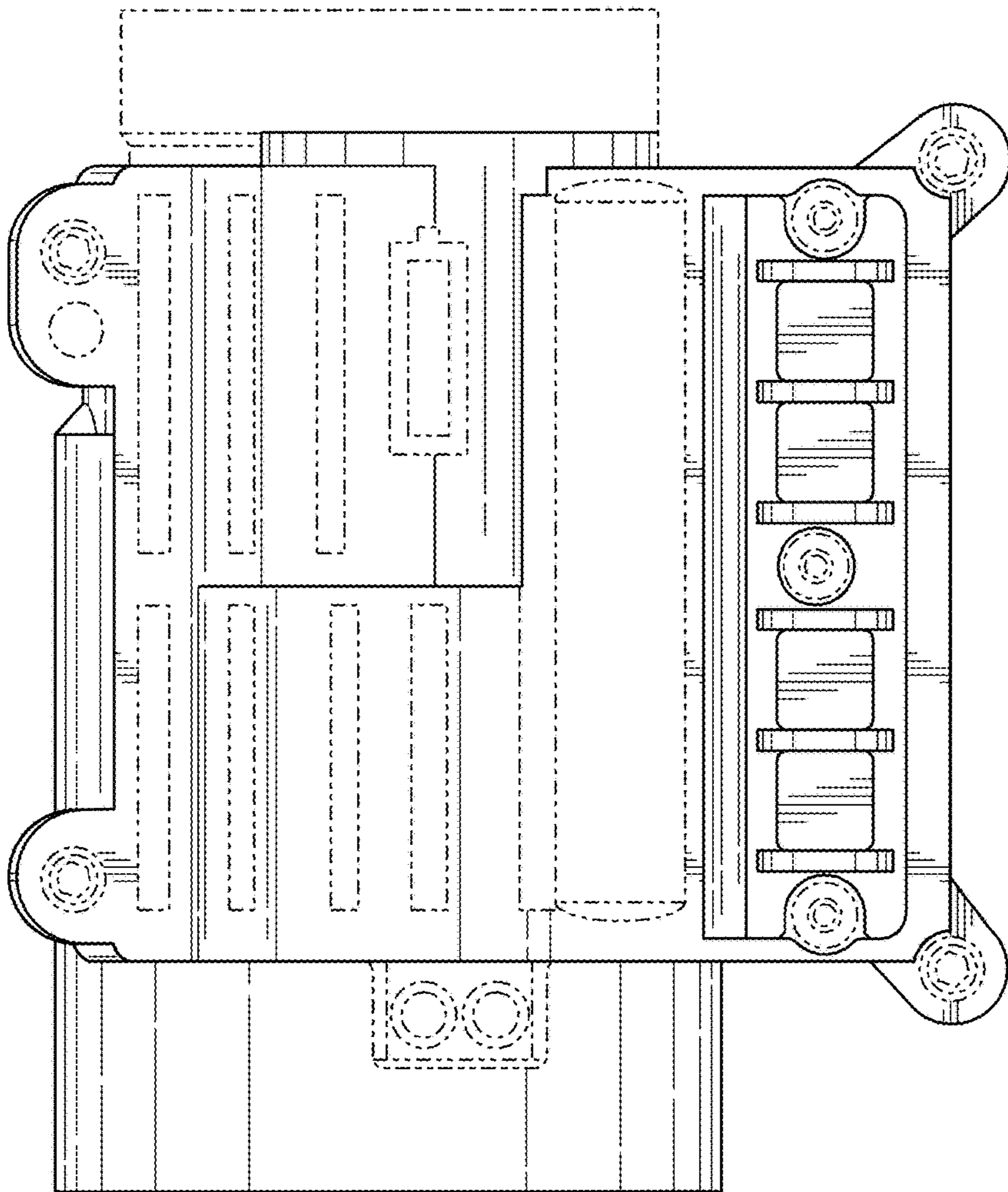


FIG. 13

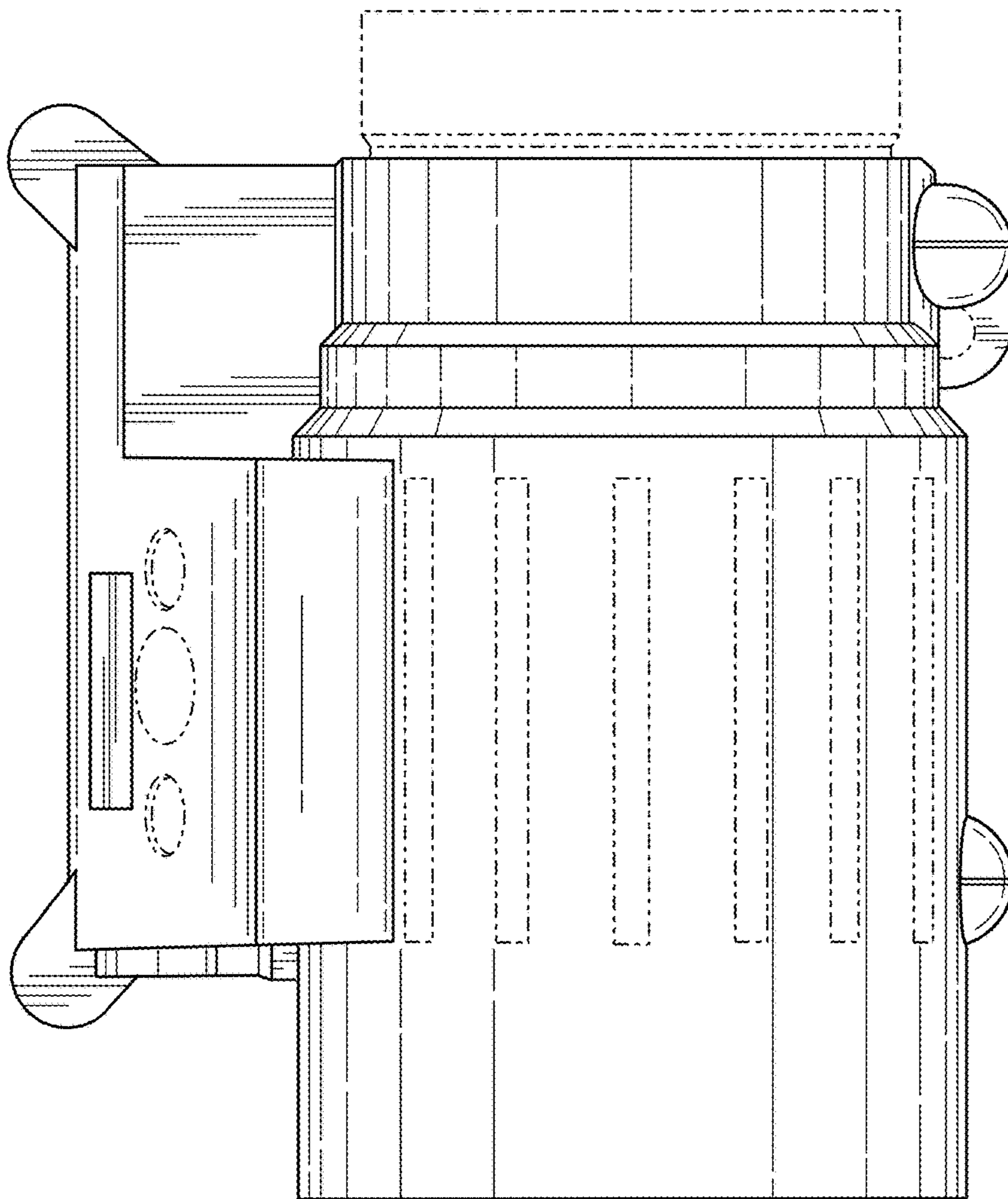


FIG. 14



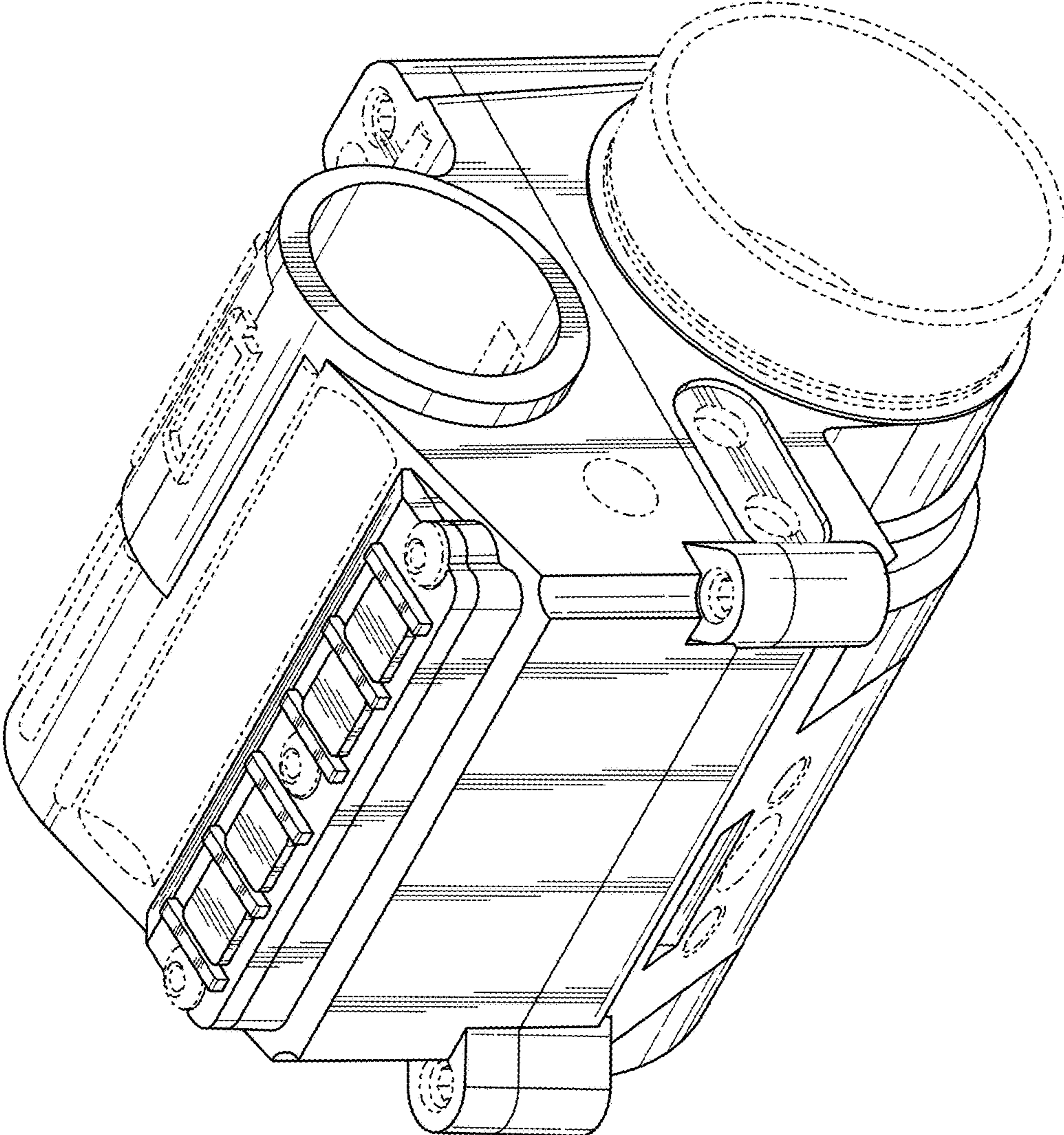


FIG. 15

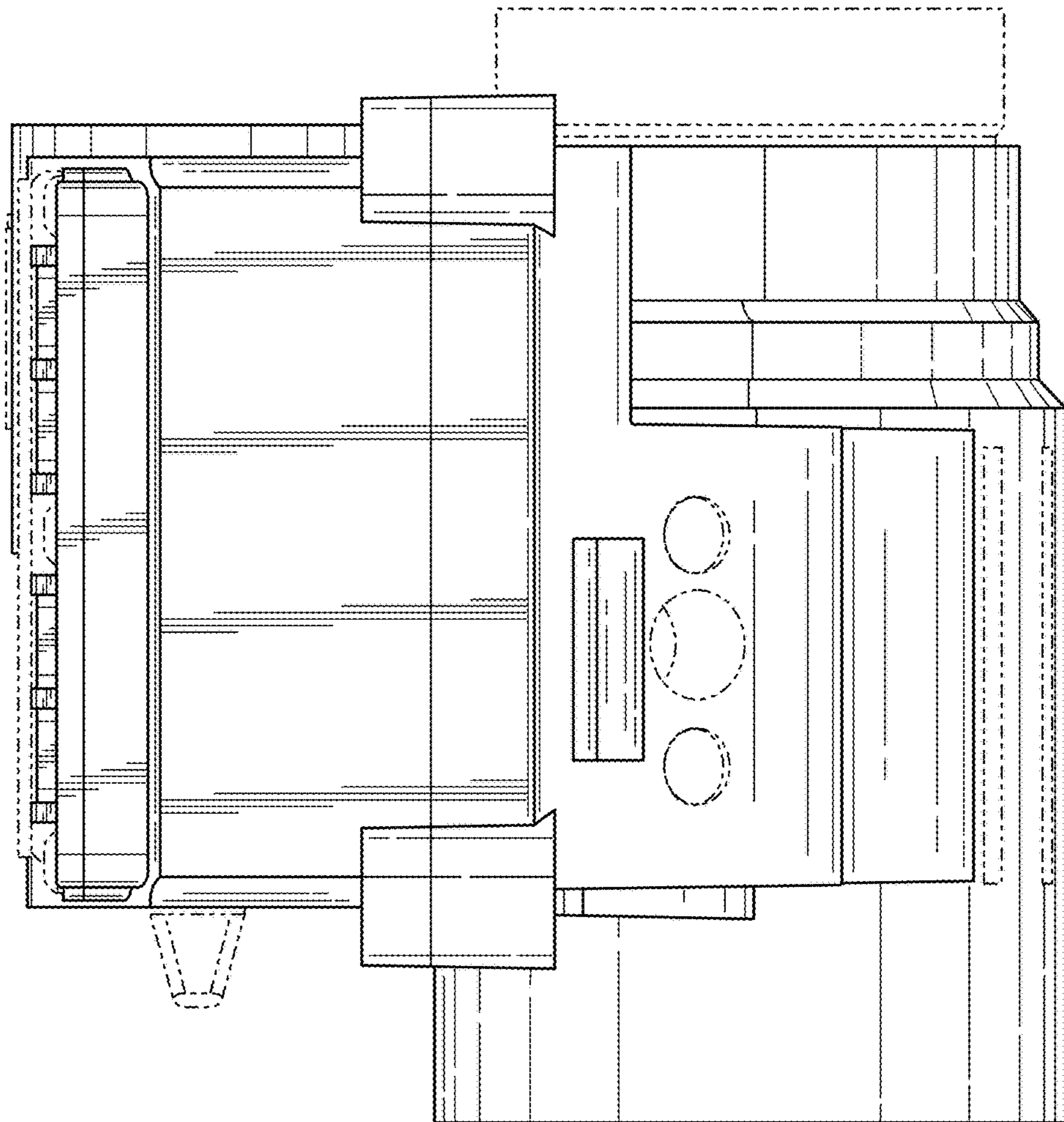


FIG. 16

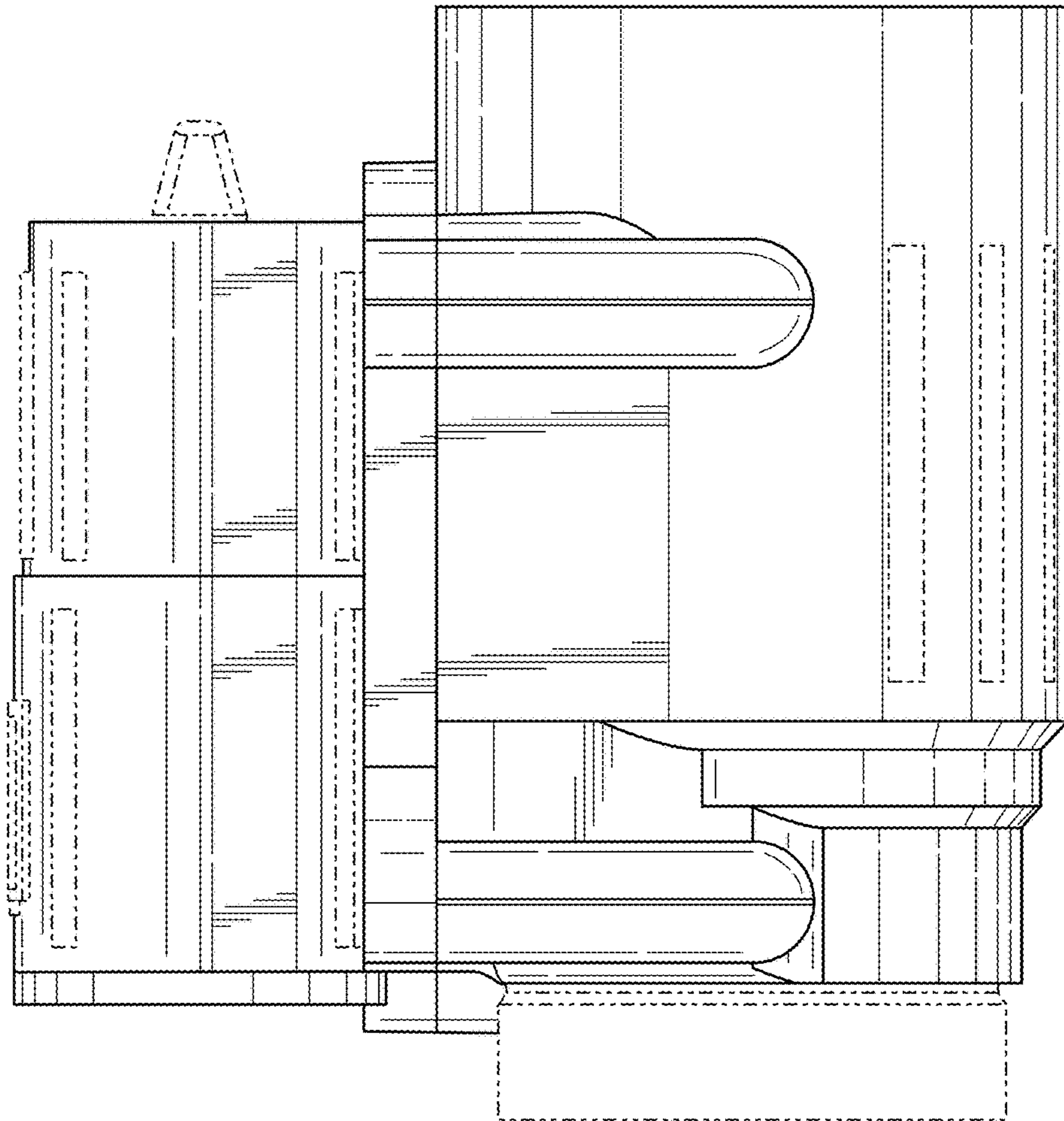


FIG. 17

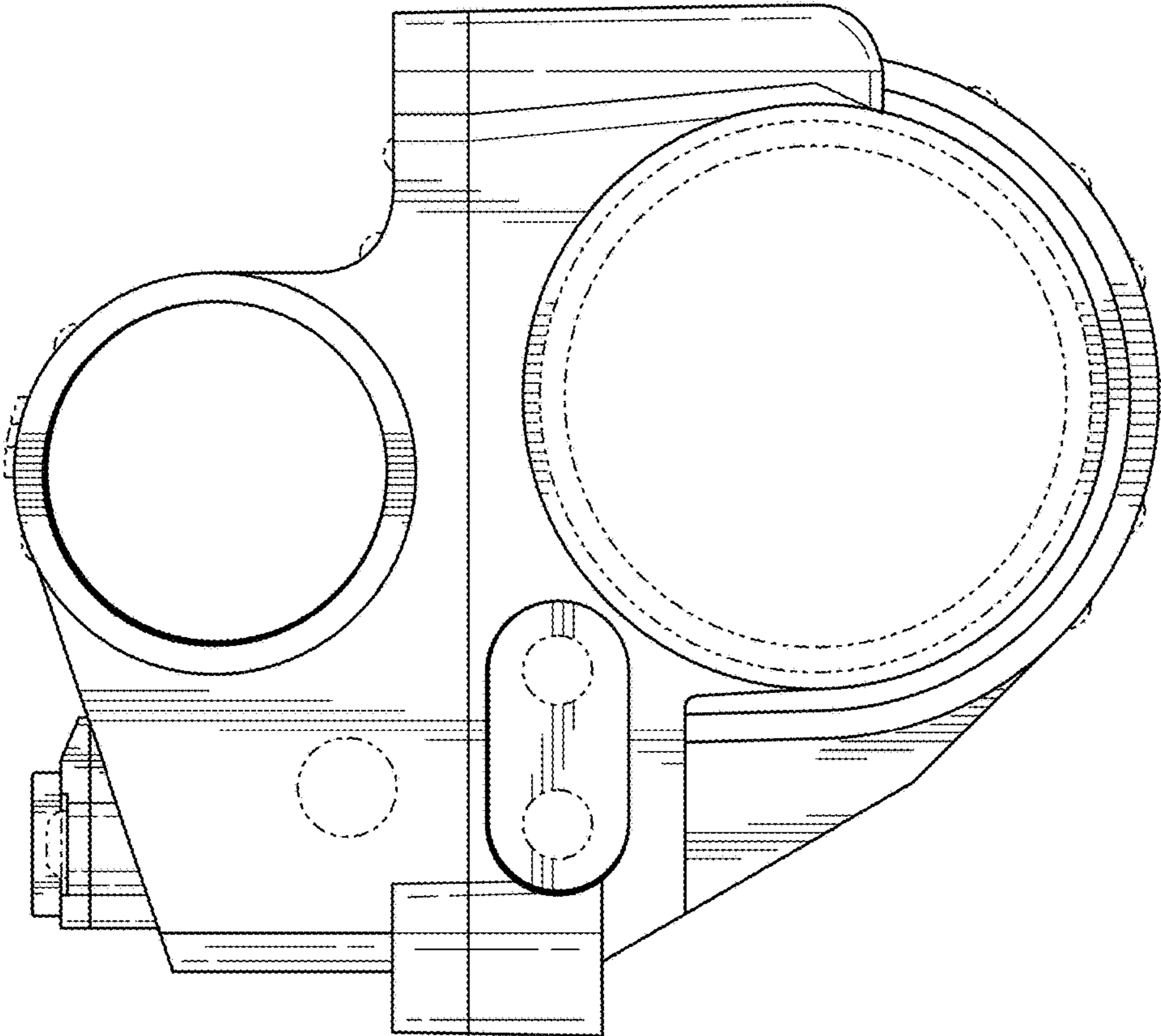


FIG. 18

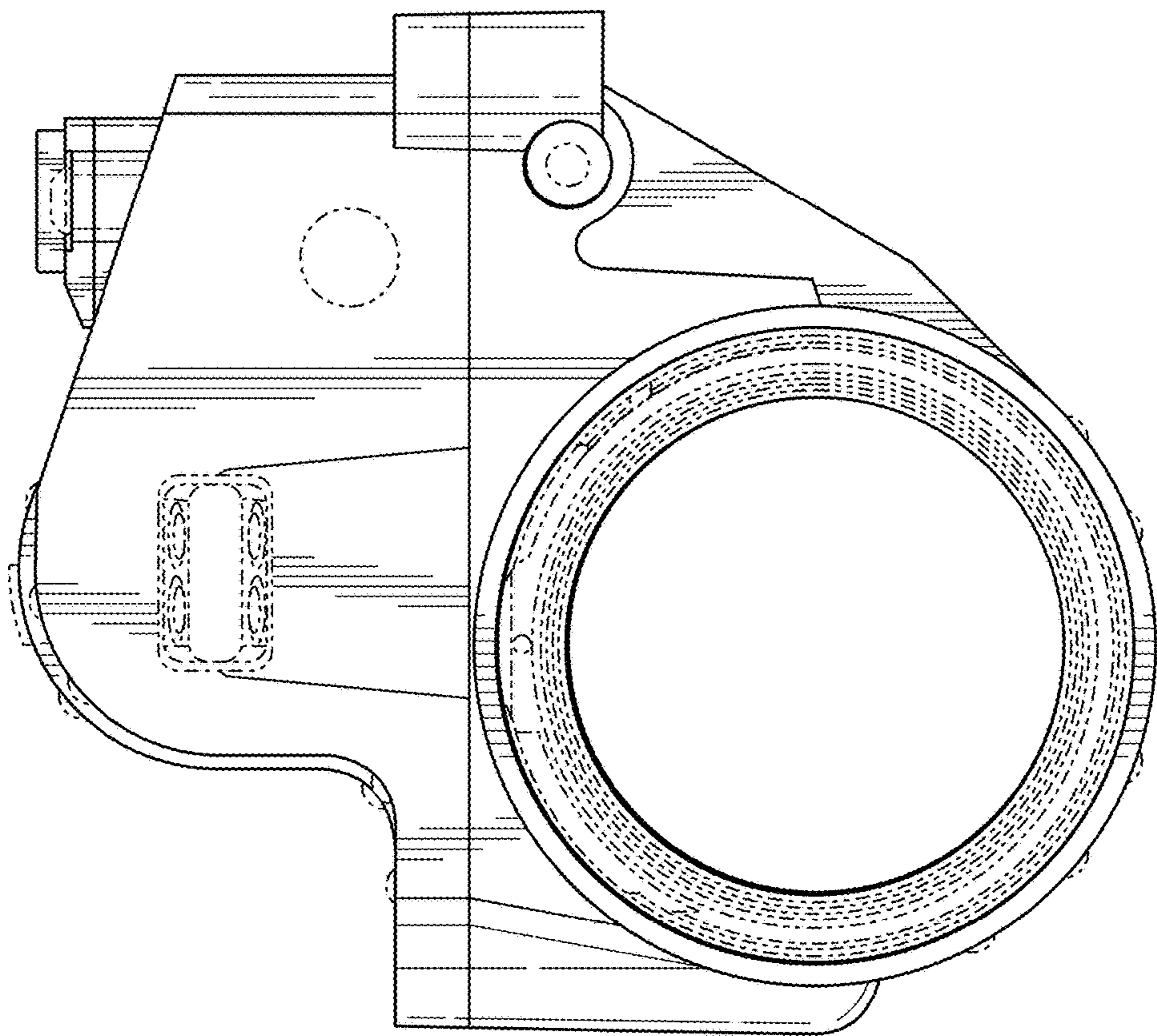


FIG. 19

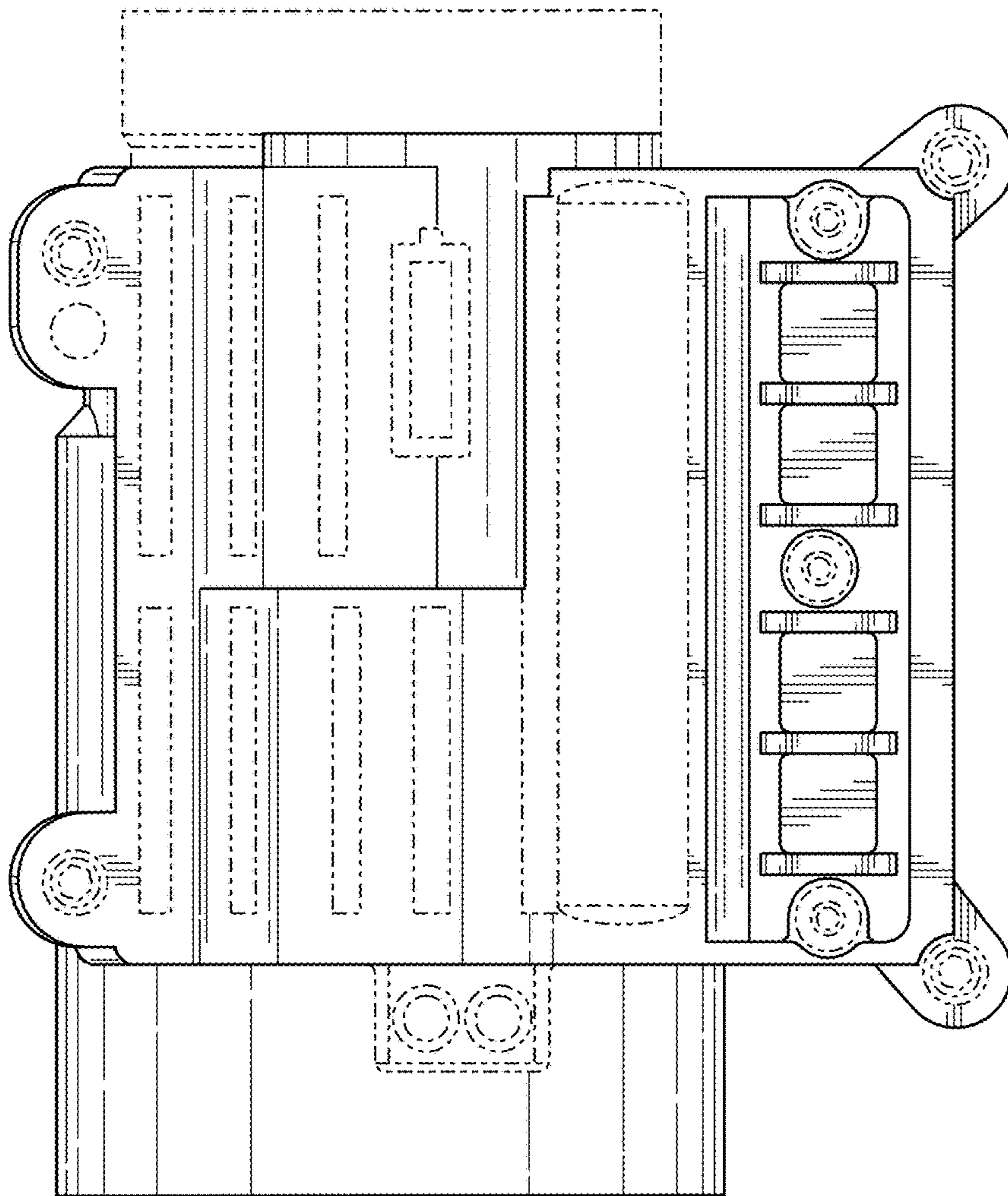


FIG. 20

UNITED STATES PATENT AND TRADEMARK OFFICE  
**CERTIFICATE OF CORRECTION**

PATENT NO. : D798,356 S  
APPLICATION NO. : 29/549071  
DATED : September 26, 2017  
INVENTOR(S) : Walter Lee Grasheim

Page 1 of 23

It is certified that error appears in the above-identified patent and that said Letters Patent is hereby corrected as shown below:

On the Title Page

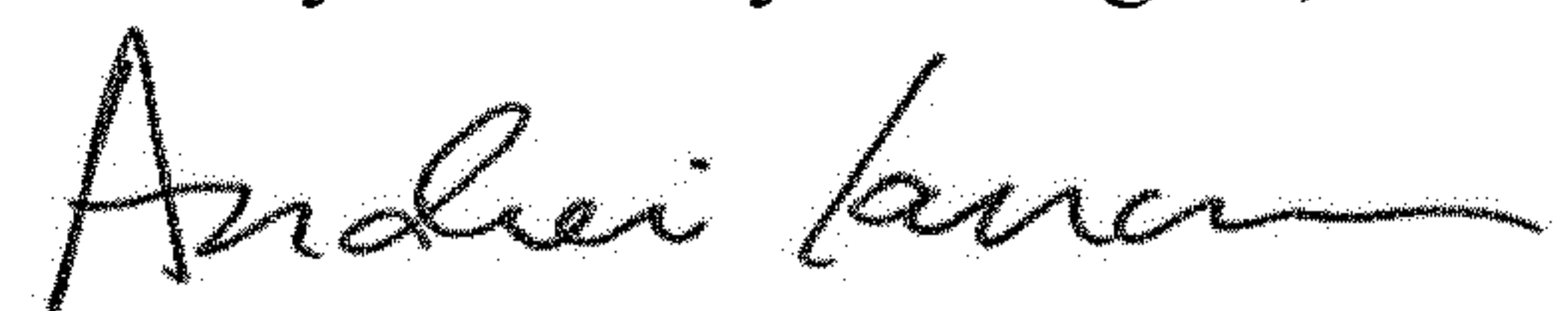
Delete the title page and replace with new title page with the corrected number of Figures (attached).

After the description of FIG. 20, please insert:  
--FIG. 21 is a bottom view thereof.--

In the Drawings

Please replace existing FIGS. 1-20 and add a new FIG. 21 as on attached pages.

Signed and Sealed this  
Twenty-first Day of August, 2018



Andrei Iancu  
*Director of the United States Patent and Trademark Office*

(12) **United States Design Patent** (10) **Patent No.:** **US D798,356 S**  
**Grasheim** (45) **Date of Patent:** **\*\* Sep. 26, 2017**

(54) **COMBINED SWITCH PANEL AND HOUSING FOR A NIGHT VISION DEVICE**

*Primary Examiner* — Sheryl Lane  
*Assistant Examiner* — Calvin E Vansant  
 (74) *Attorney, Agent, or Firm* — Mintz Levin Cohn Ferris Glovsky and Popeo, P.C.

(71) Applicant: **Nightline, Inc.**, Mountain City, TN (US)

(72) Inventor: **Walter Lee Grasheim**, Mountain City, TN (US)

(73) Assignee: **Nightline, Inc.**, Mountain City, TN (US)

(\*\*) Term: **15 Years**

(21) Appl. No.: **29/549,071**

(22) Filed: **Dec. 18, 2015**

(51) **LOC (10) Cl.** ..... **16-01**

(52) **U.S. Cl.**  
 USPC ..... **D16/132**

(58) **Field of Classification Search**  
 USPC ..... D16/130, 131, 132, 134, 136, 137, 219,  
 D16/235, 237; D26/120; D13/174  
 CPC ..... G02B 23/16; G02B 23/12; G02B 23/18;  
 G02B 27/0176  
 See application file for complete search history.

(56) **References Cited**

**U.S. PATENT DOCUMENTS**

D325,041 S *	3/1992	Wissing	.....	D16/132
D349,509 S *	8/1994	Williams, Jr.	.....	D16/130
D362,257 S *	9/1995	Palmer	.....	D16/133
D371,786 S *	7/1996	Maeyama	.....	D14/168
D413,130 S *	8/1999	Bryant	.....	D16/132
6,111,692 A *	8/2000	Sauter	.....	G02B 23/12 359/399
D472,256 S *	3/2003	Schick	.....	D16/132
D472,569 S *	4/2003	Schick	.....	D16/132

(Continued)

**FOREIGN PATENT DOCUMENTS**

EP 2369408 A1 \* 9/2011 ..... G01C 3/04

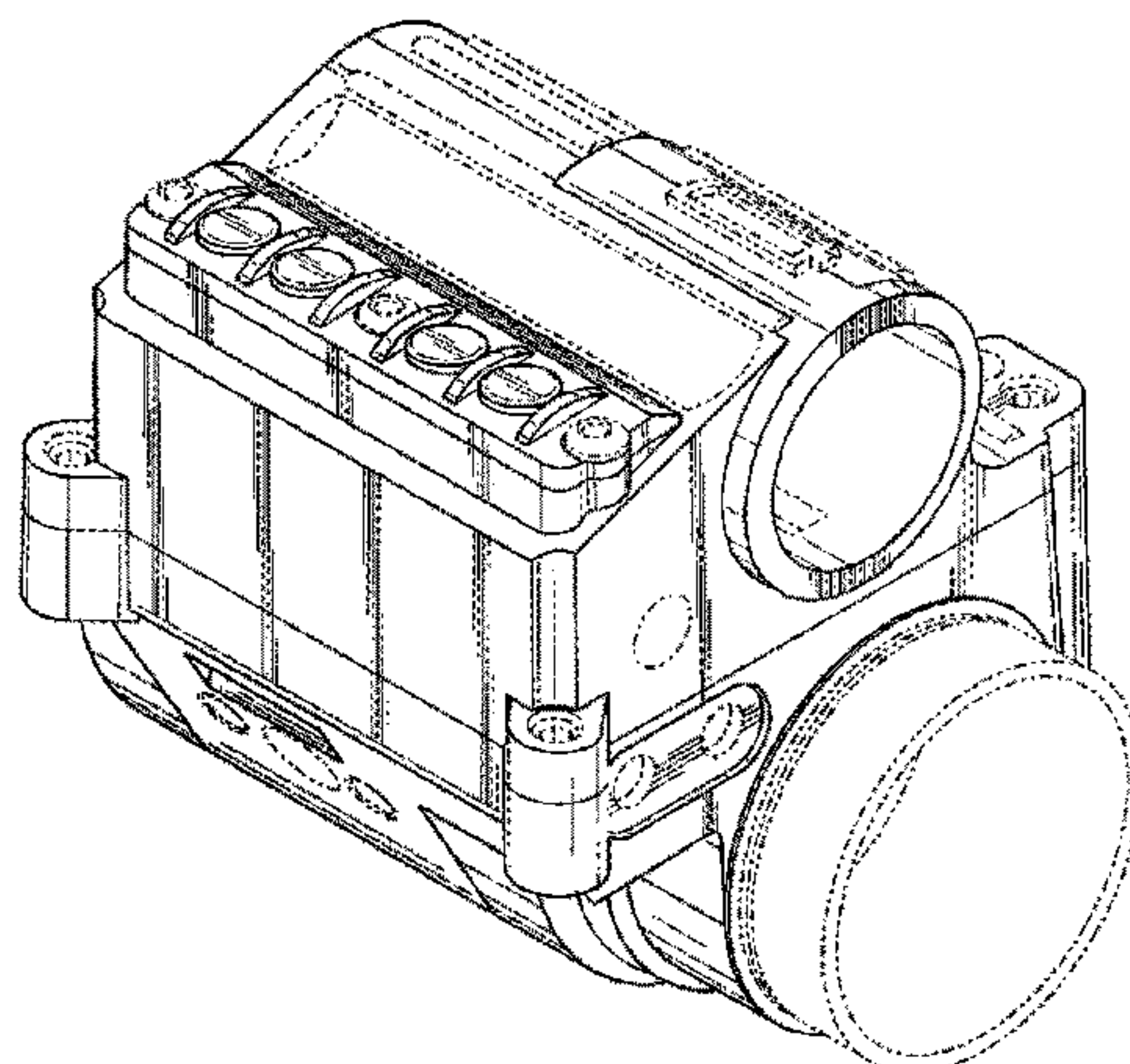
(57) **CLAIM**

The ornamental design for a combined switch panel and housing for a night vision device.

**DESCRIPTION**

FIG. 1 is a top, front, right perspective view of a first embodiment of a combined switch panel and housing for a night vision device showing my new design;  
 FIG. 2 is a right view thereof;  
 FIG. 3 is a left view thereof;  
 FIG. 4 is a front view thereof;  
 FIG. 5 is a back view thereof;  
 FIG. 6 is a top view thereof;  
 FIG. 7 is a bottom view thereof;  
 FIG. 8 is a top, front, right perspective view of a second embodiment of a combined switch panel and housing for a night vision device showing my new design;  
 FIG. 9 is a right view thereof;  
 FIG. 10 is a left view thereof;  
 FIG. 11 is a front view thereof;  
 FIG. 12 is a back view thereof;  
 FIG. 13 is a top view thereof;  
 FIG. 14 is a bottom view thereof;  
 FIG. 15 is a top, front, right perspective view of a third embodiment of a combined switch panel and housing for a night vision device showing my new design;  
 FIG. 16 is a right view thereof;  
 FIG. 17 is a left view thereof;  
 FIG. 18 is a front view thereof;  
 FIG. 19 is a back view thereof; and  
 FIG. 20 is a top view thereof.  
 The broken lines depict portions of the combined switch panel and housing for a night vision device and form no part of the claim.

**1 Claim, 21 Drawing Sheets**





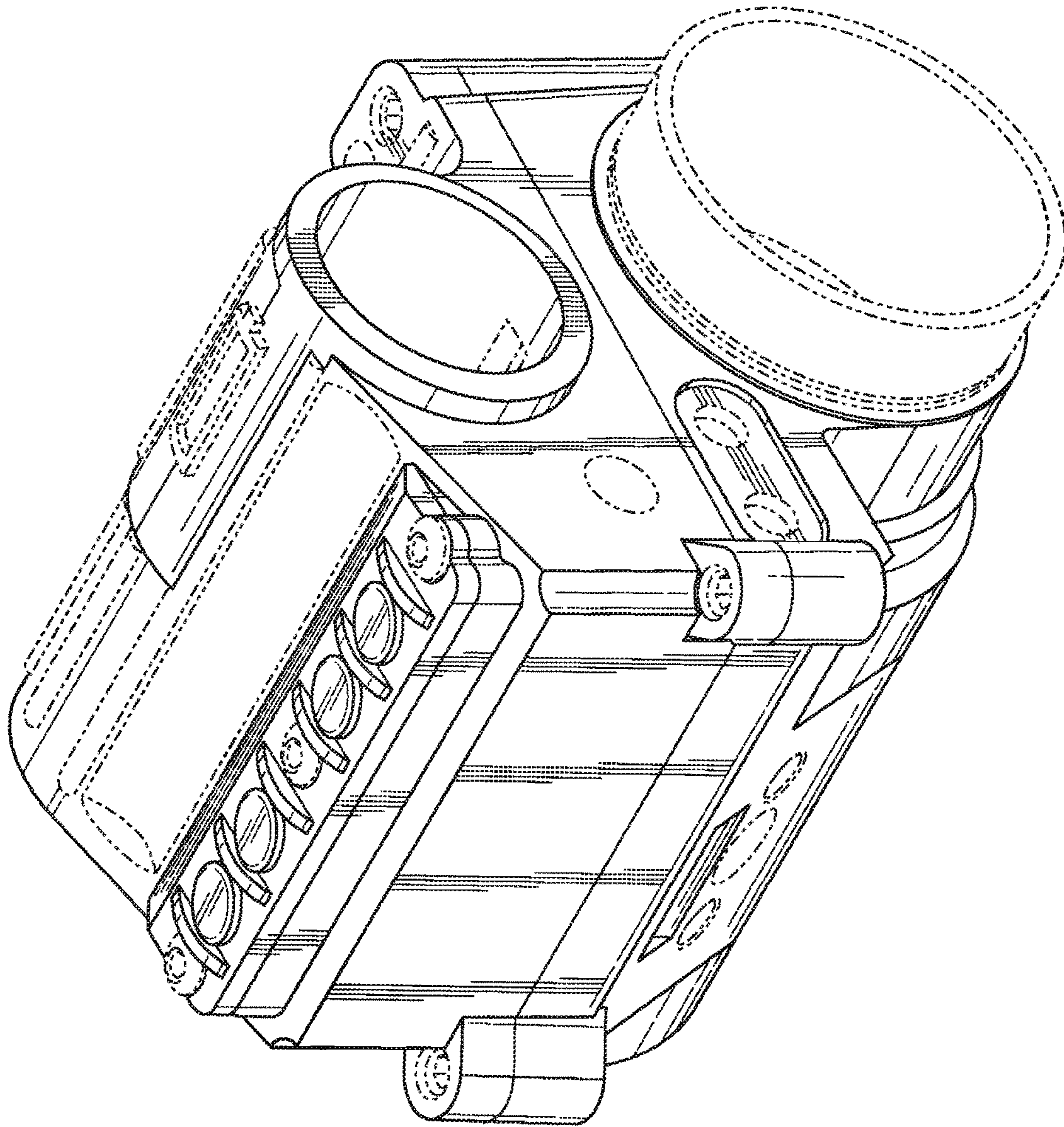


FIG. 1

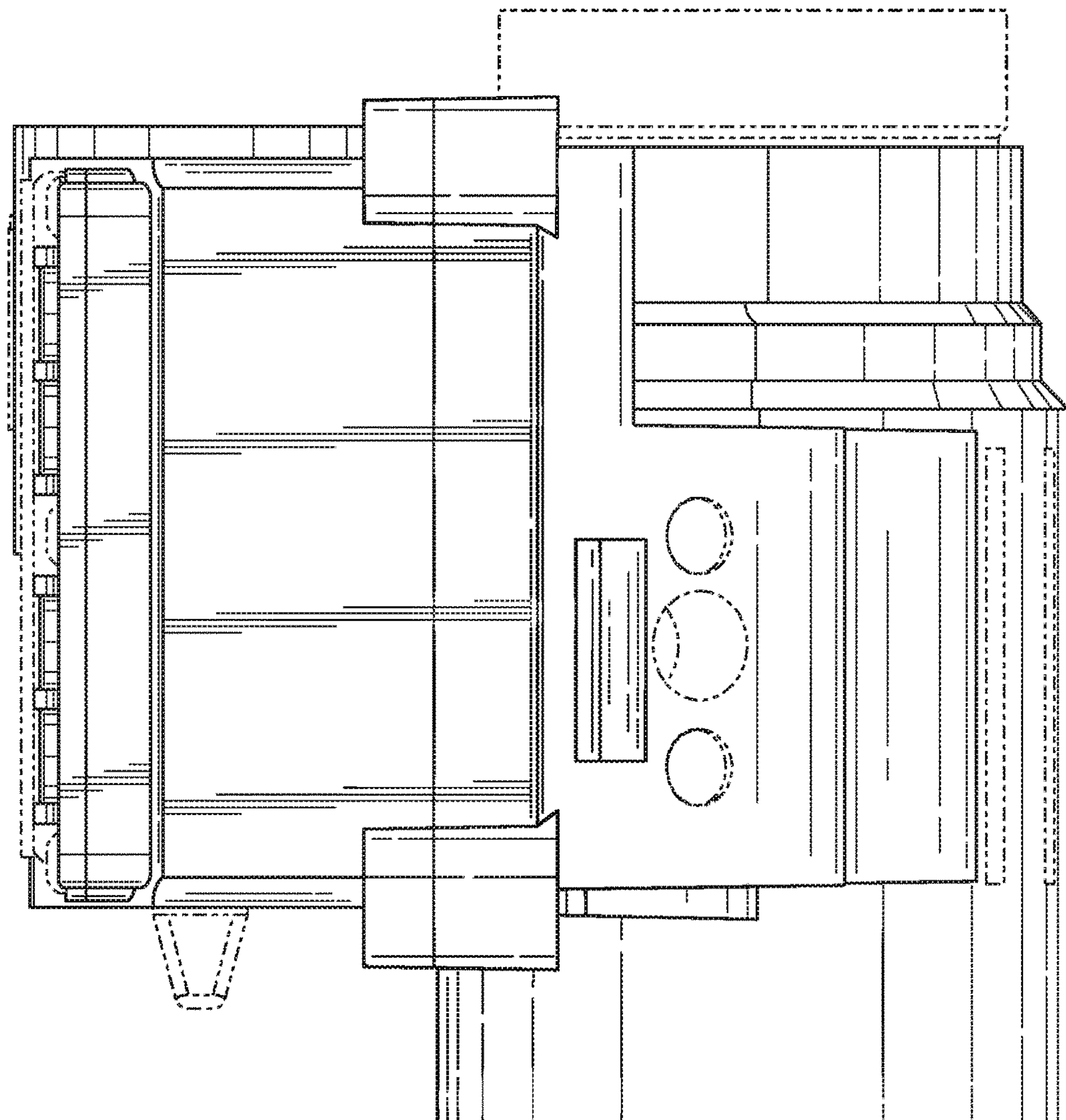


FIG. 2

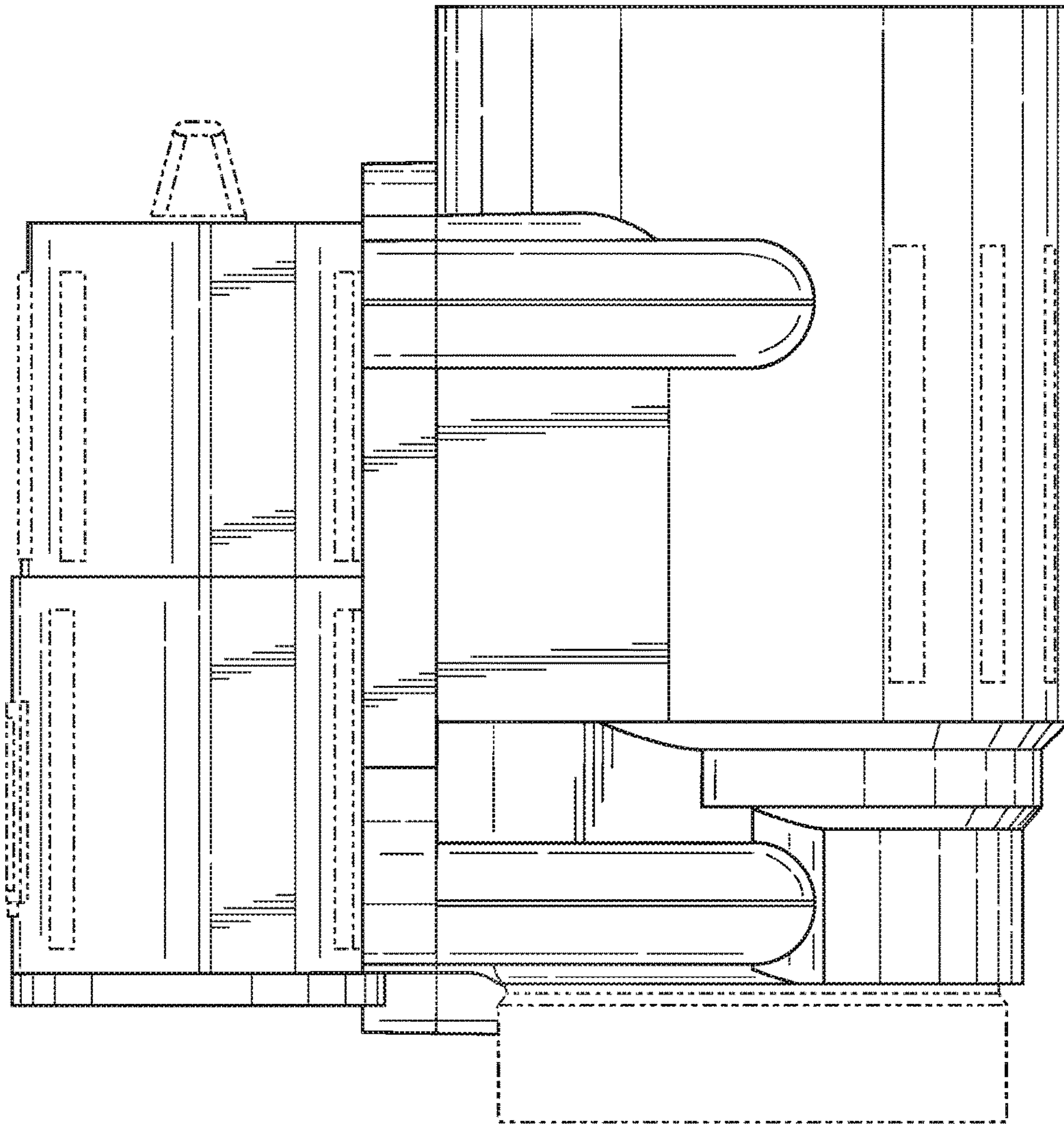


FIG. 3

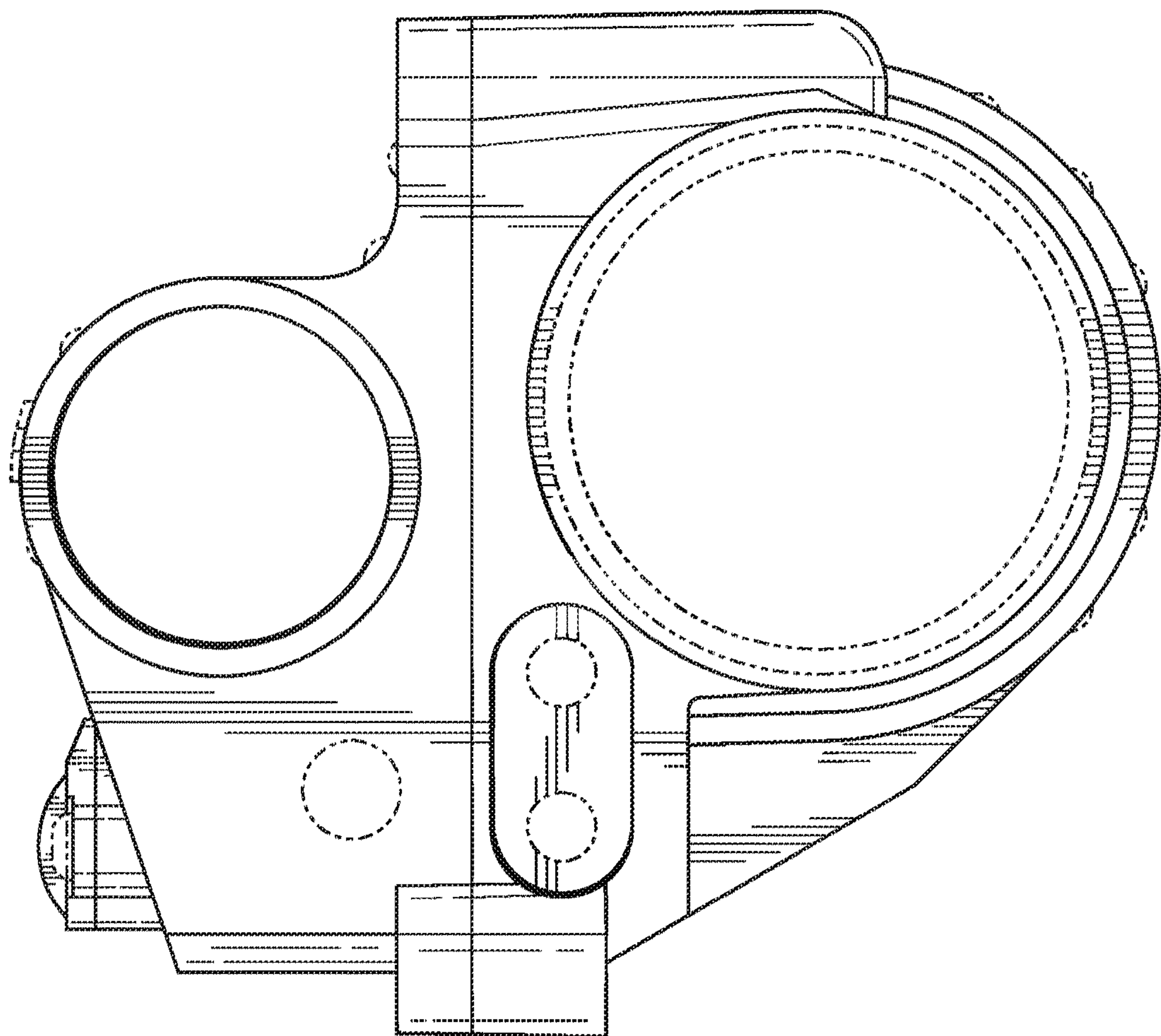


FIG. 4

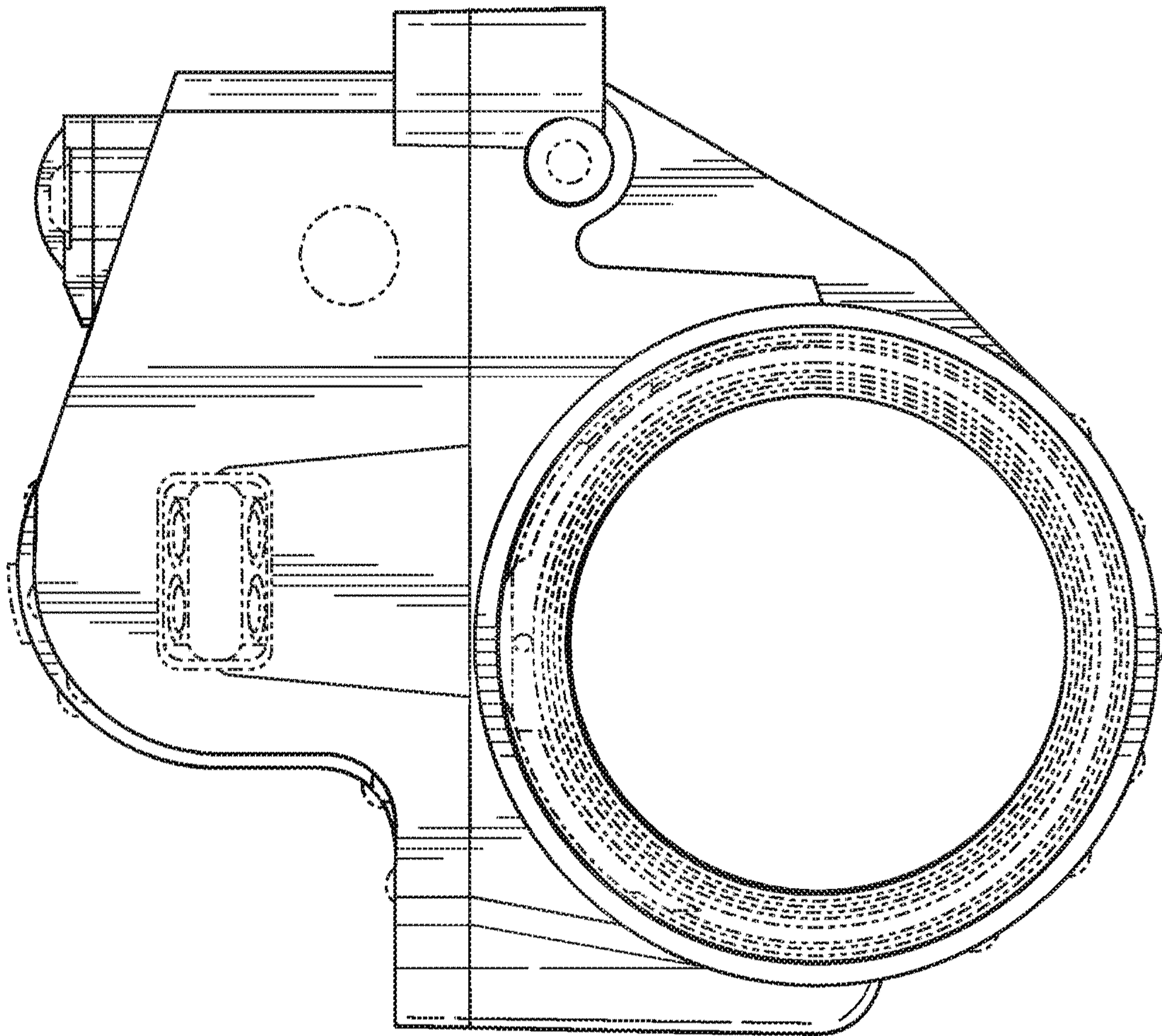


FIG. 5

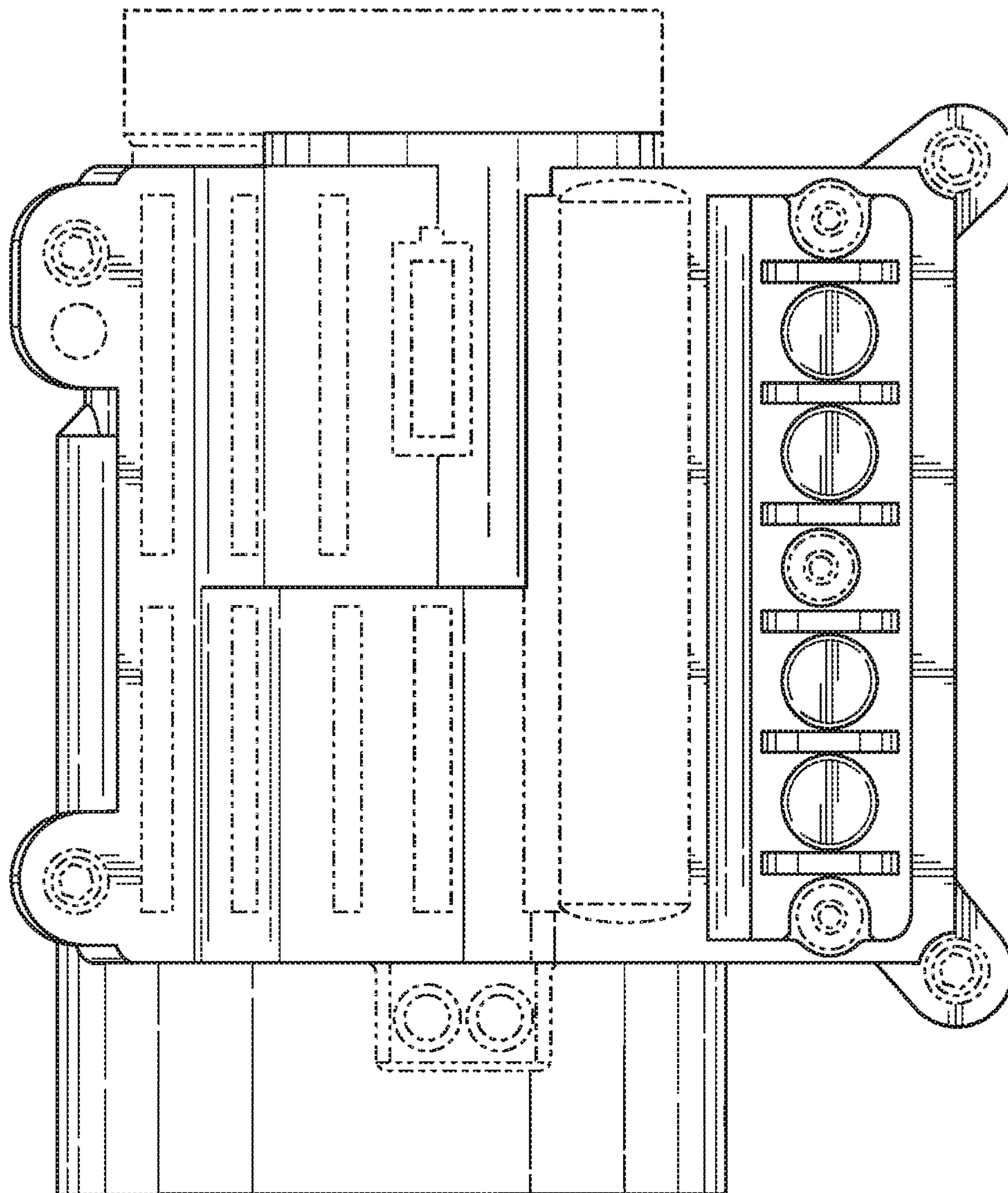


FIG. 6

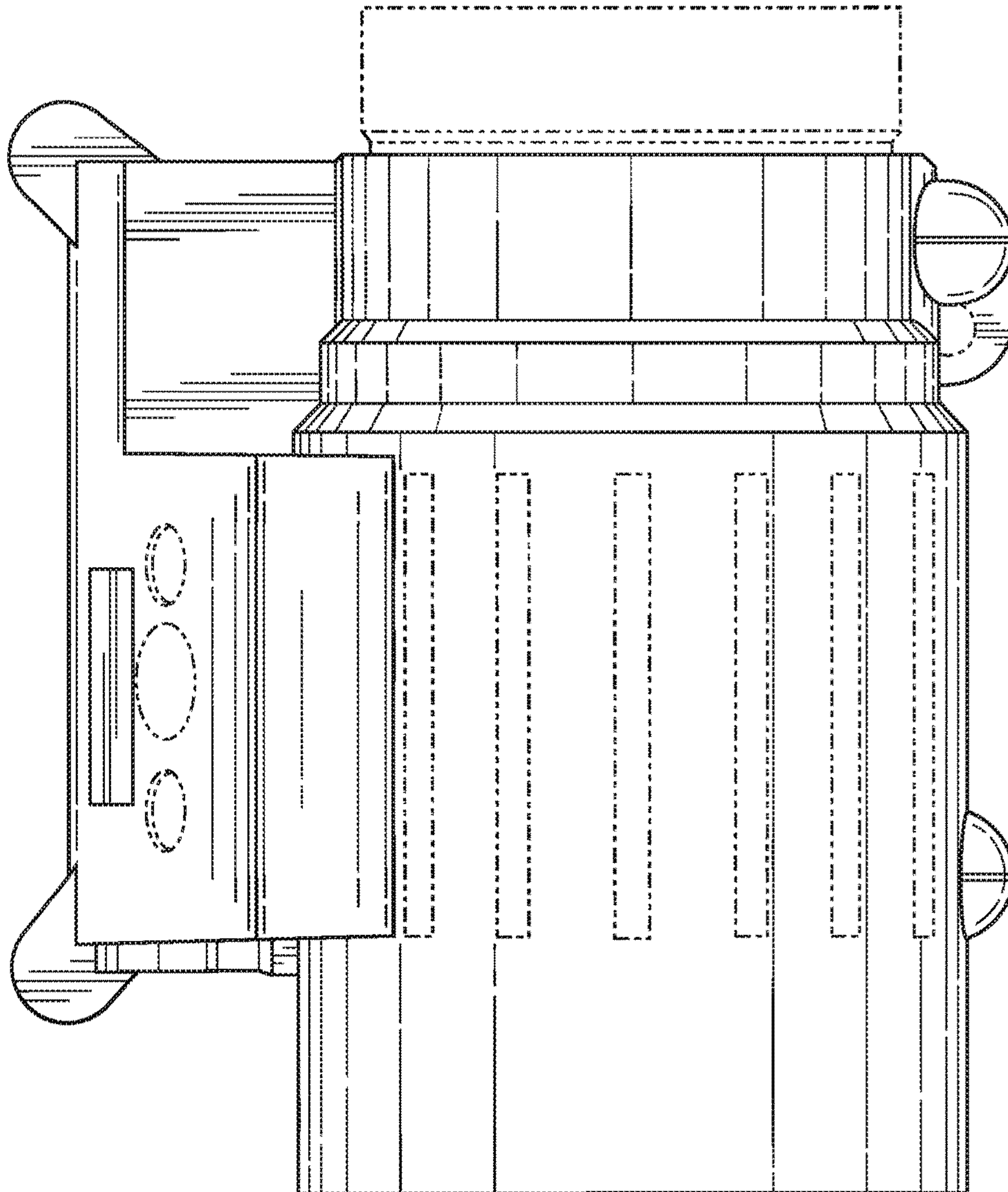


FIG. 7

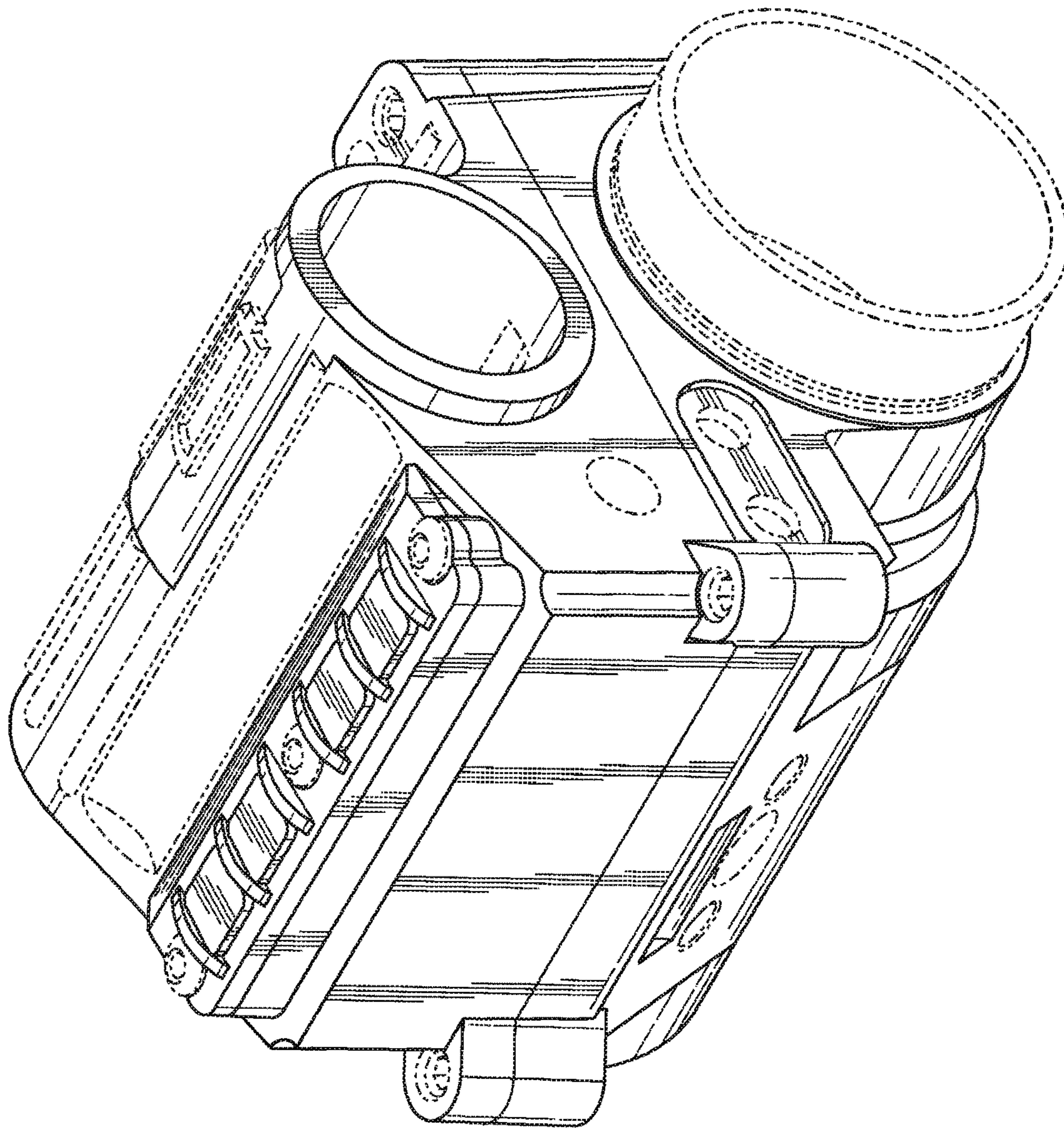


FIG. 8



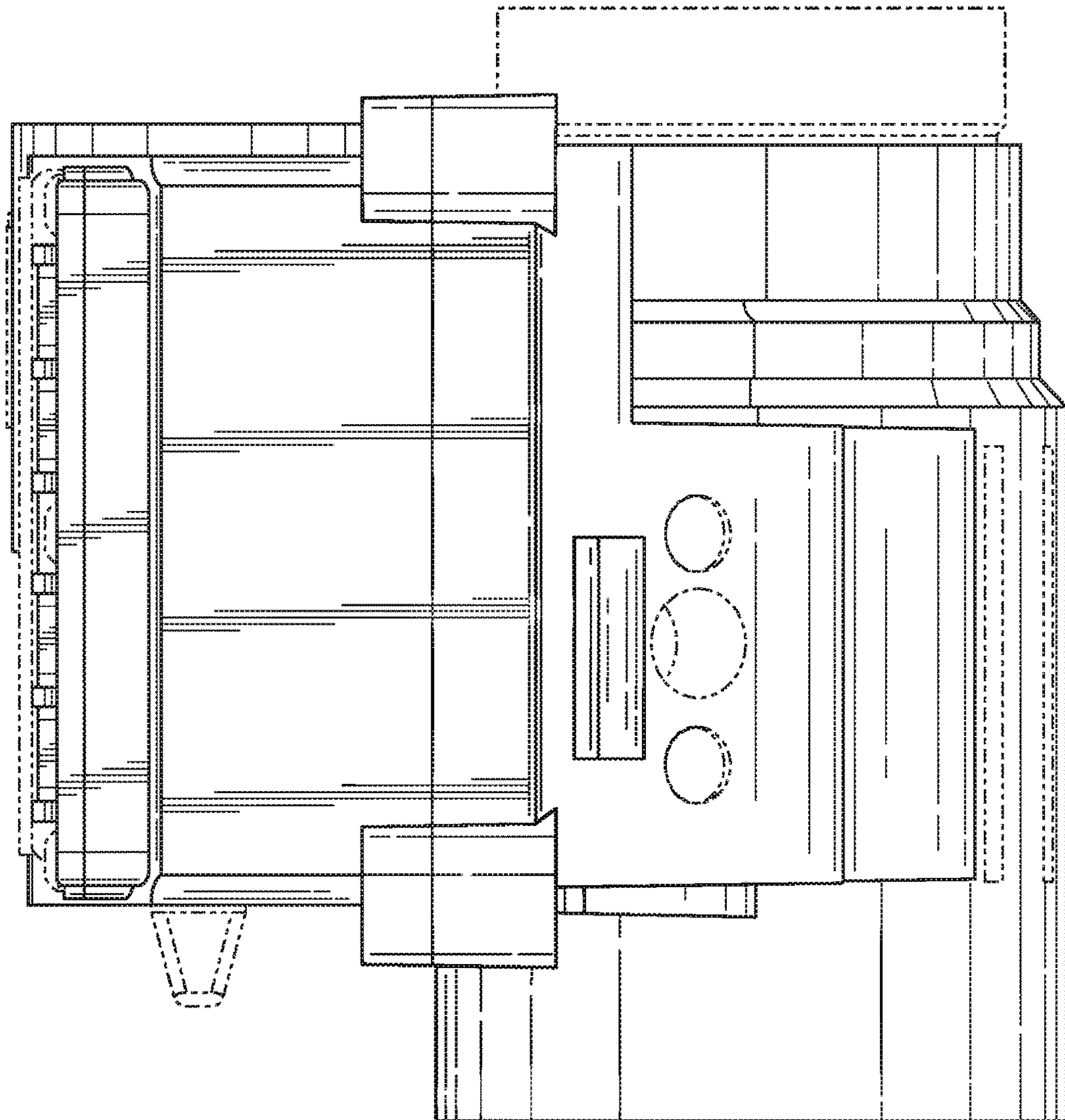


FIG. 9

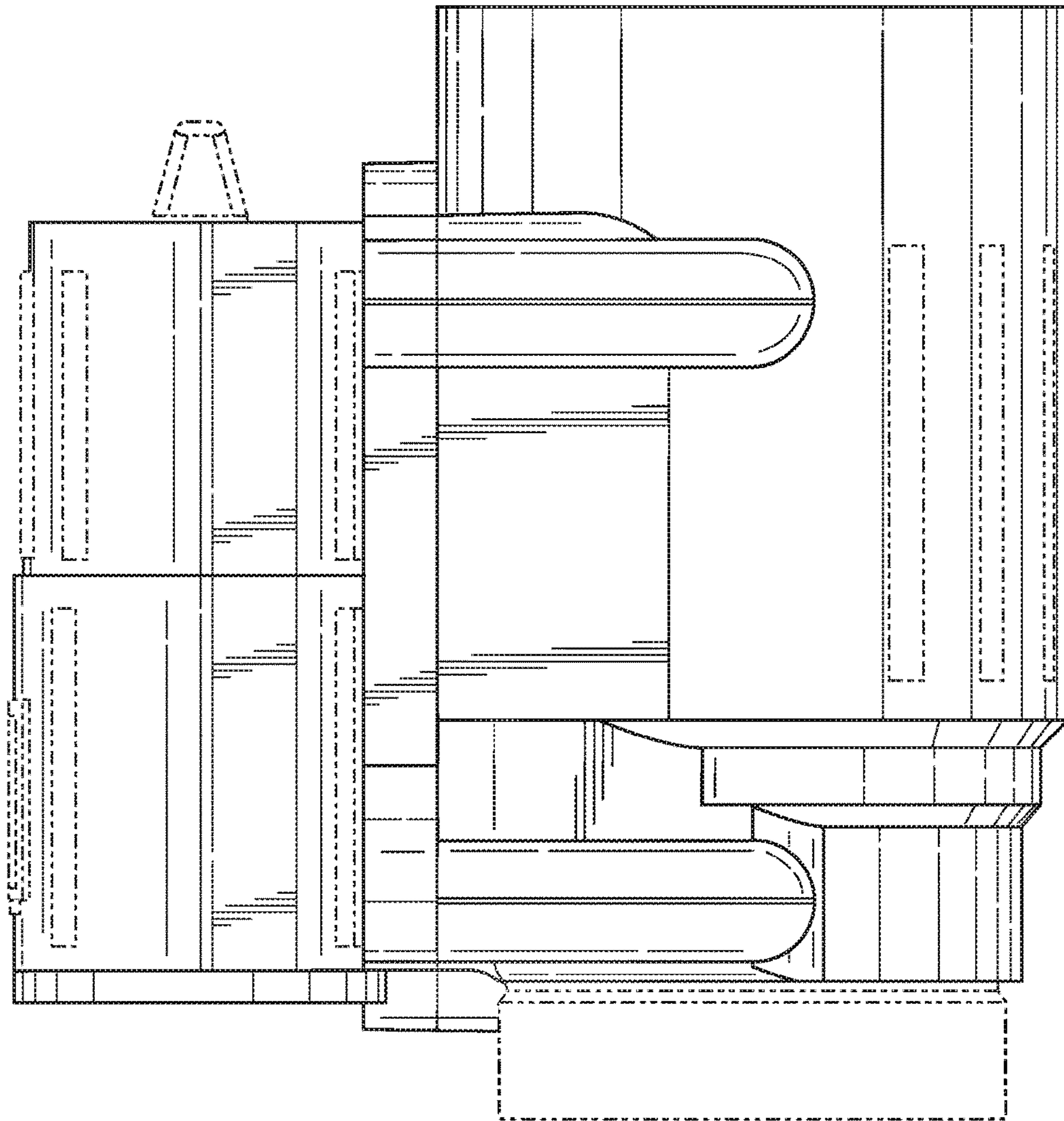


FIG. 10

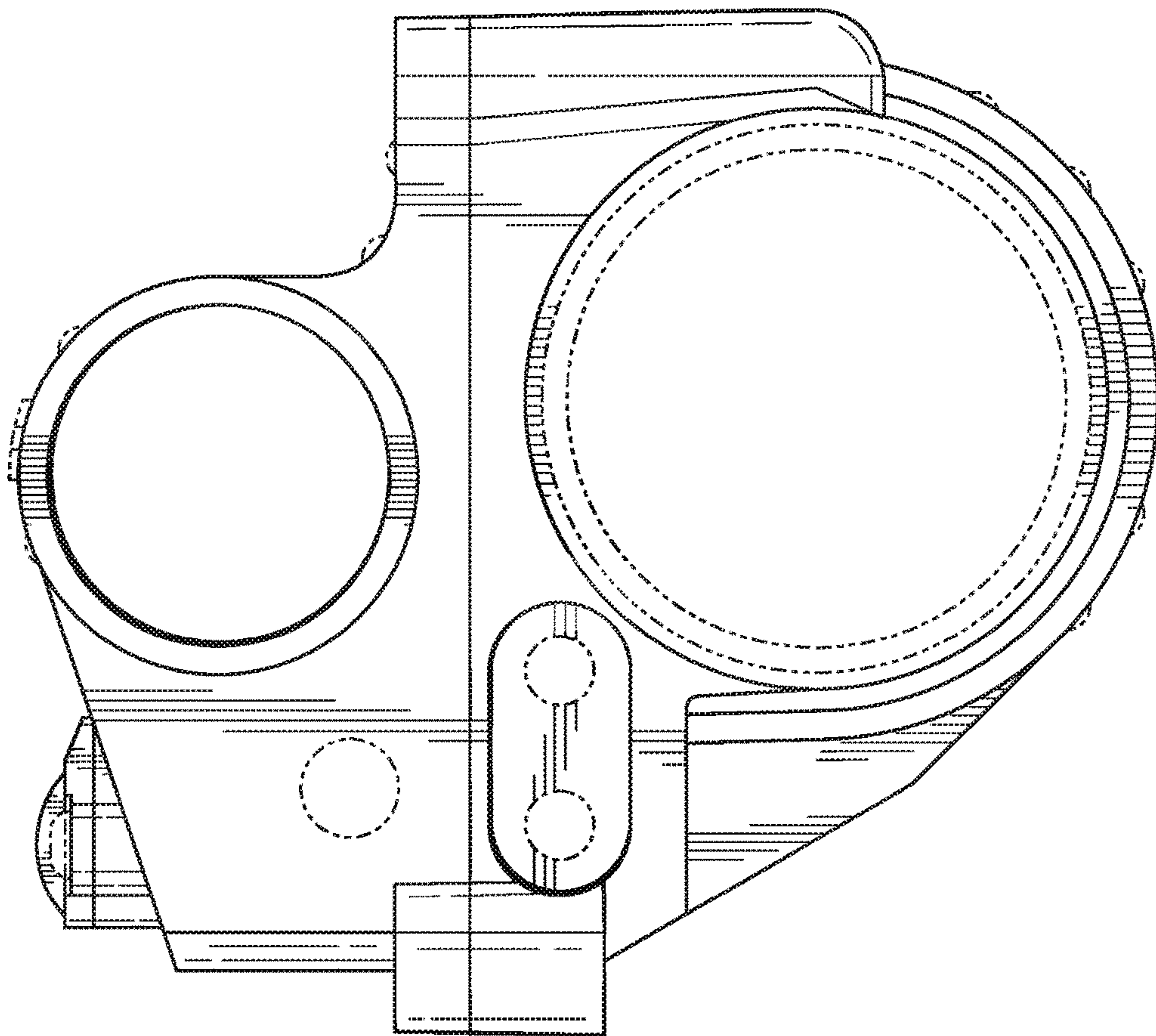


FIG. 11

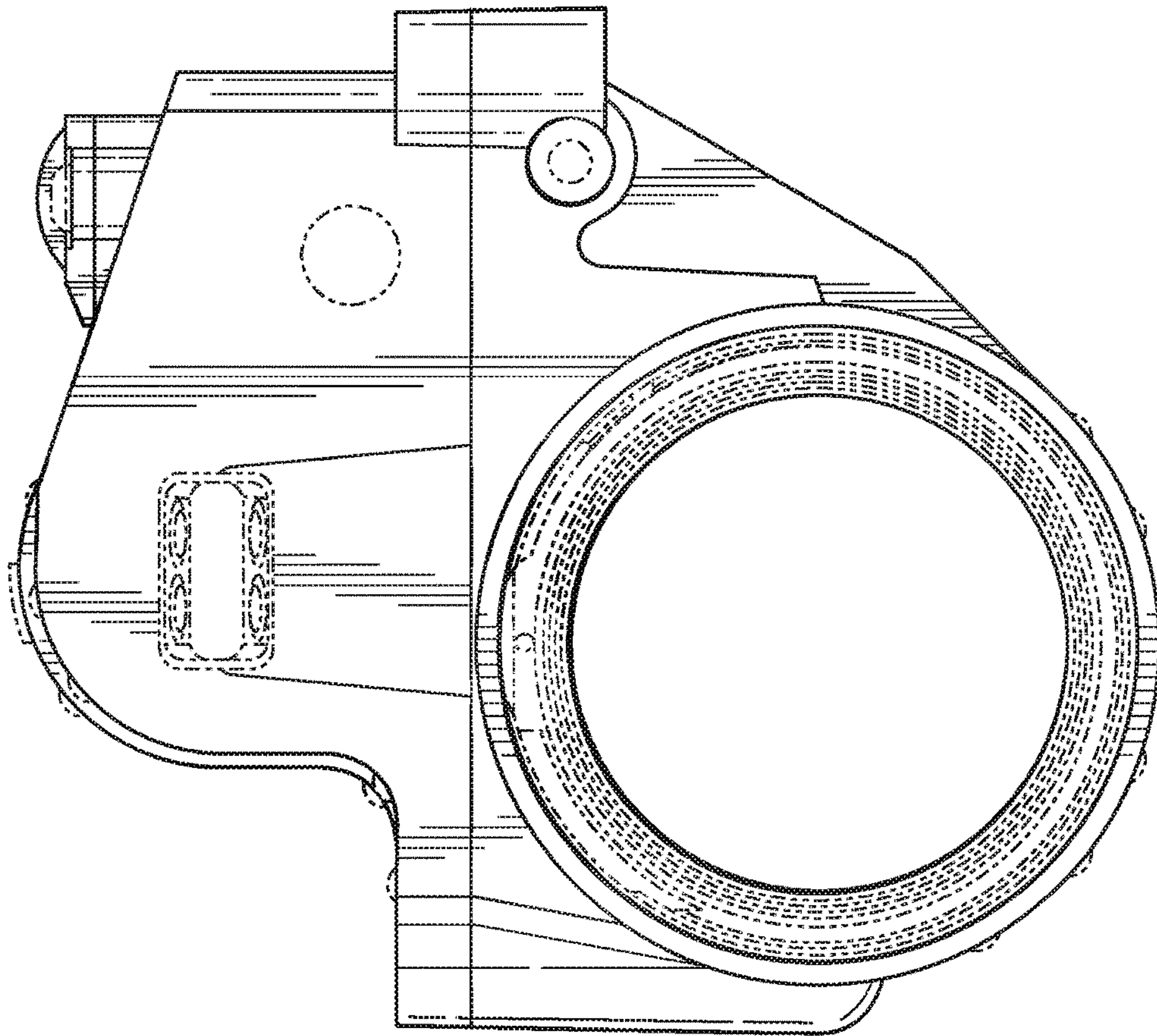


FIG. 12

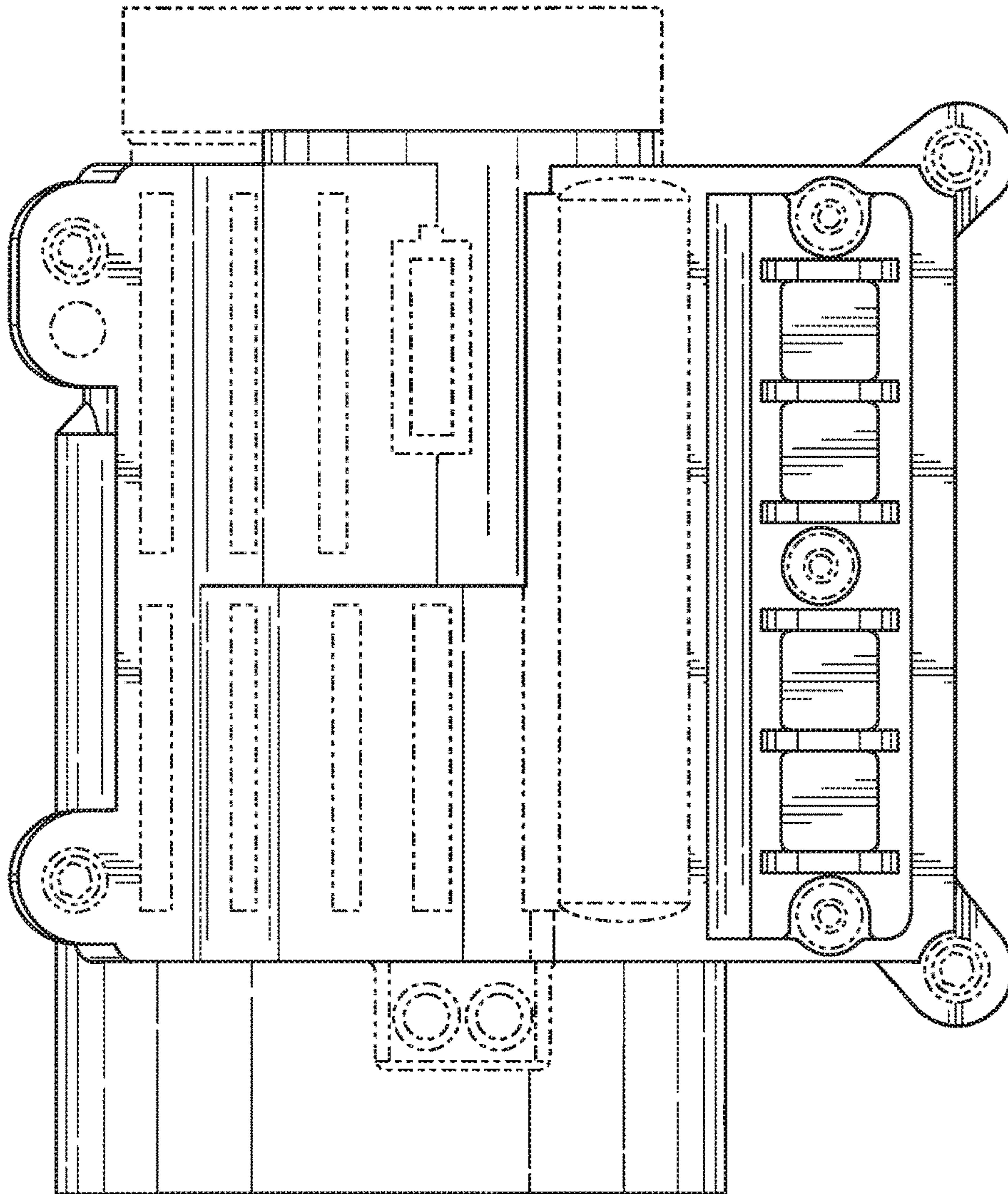


FIG. 13

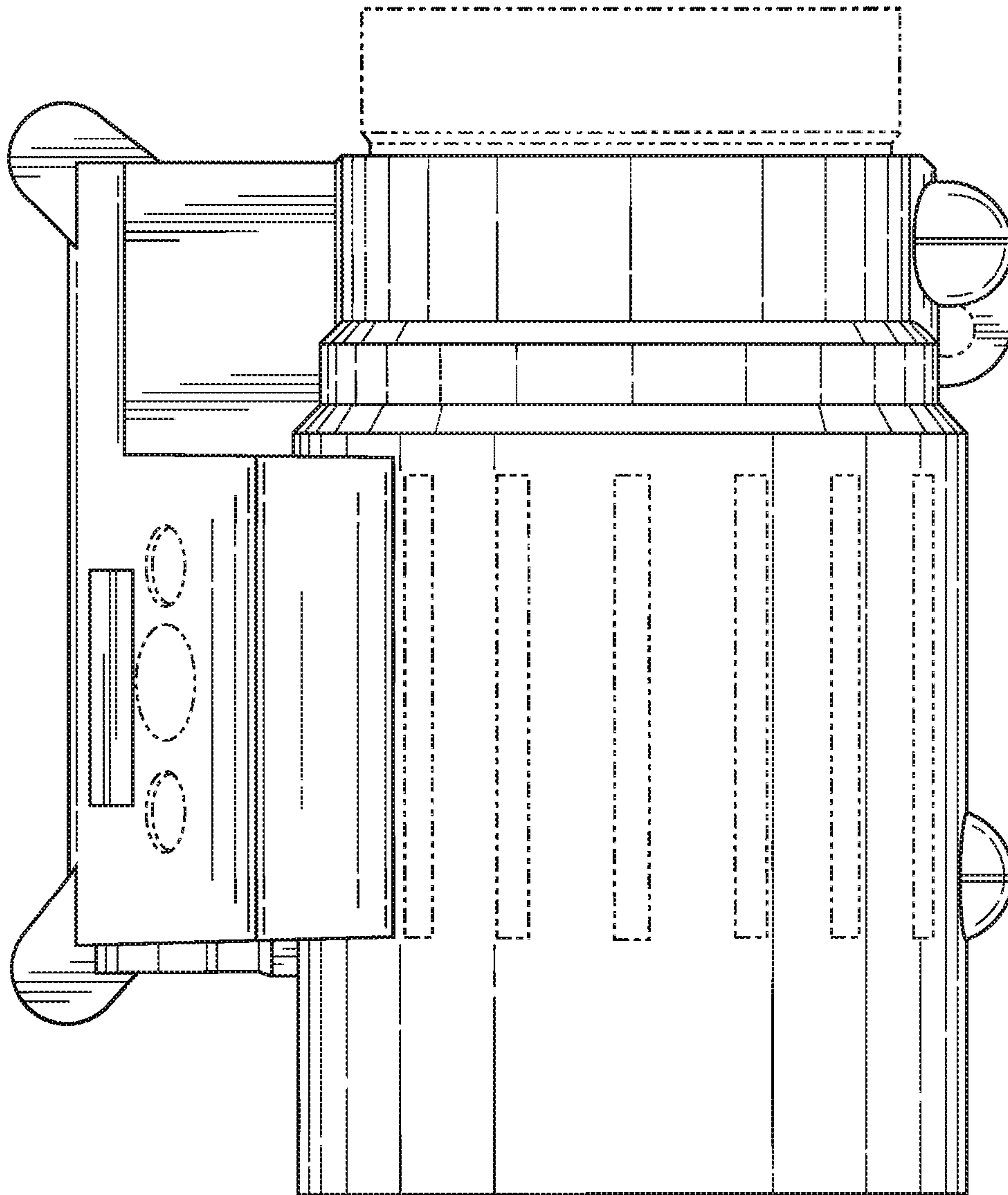


FIG. 14

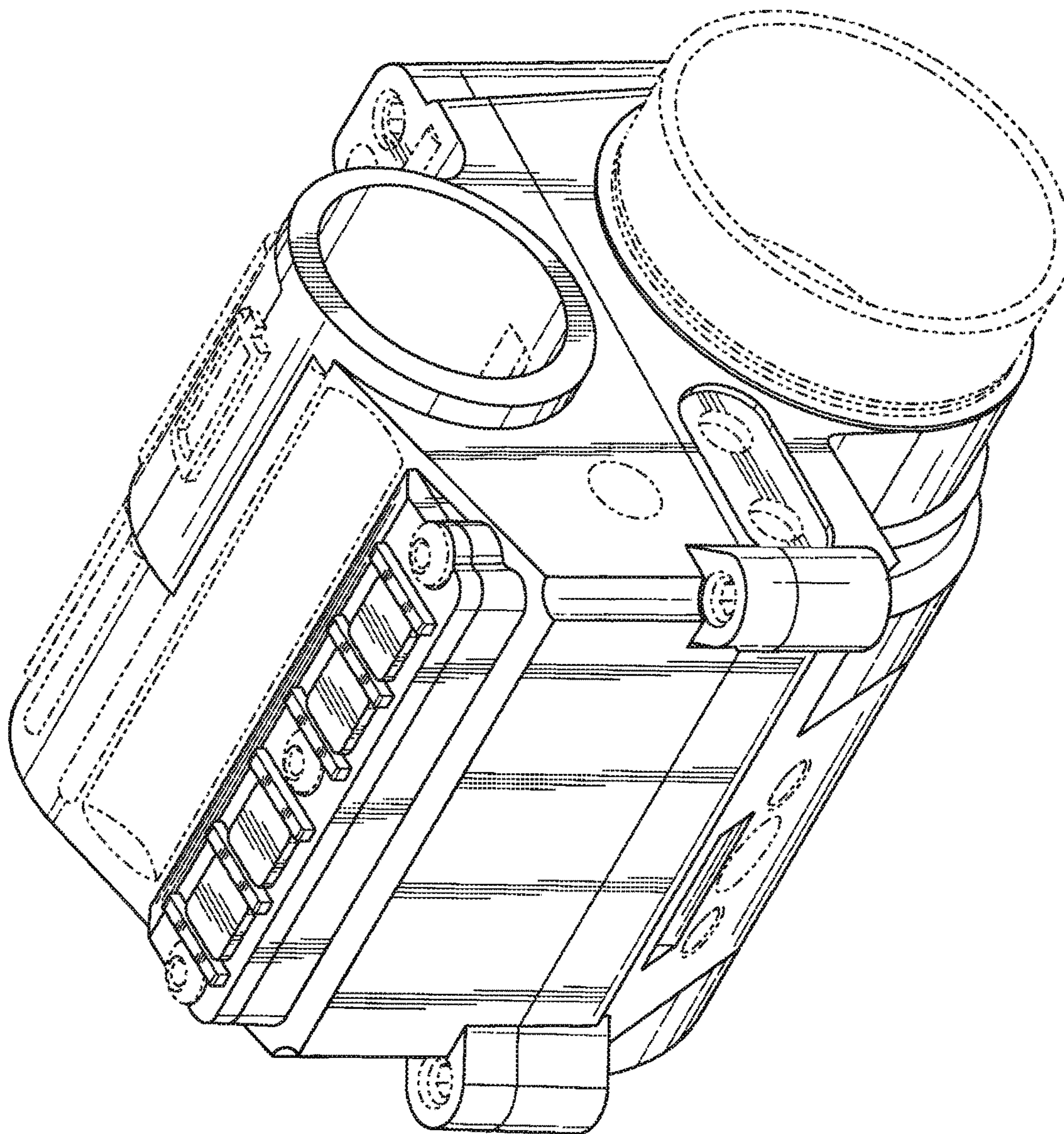


FIG. 15

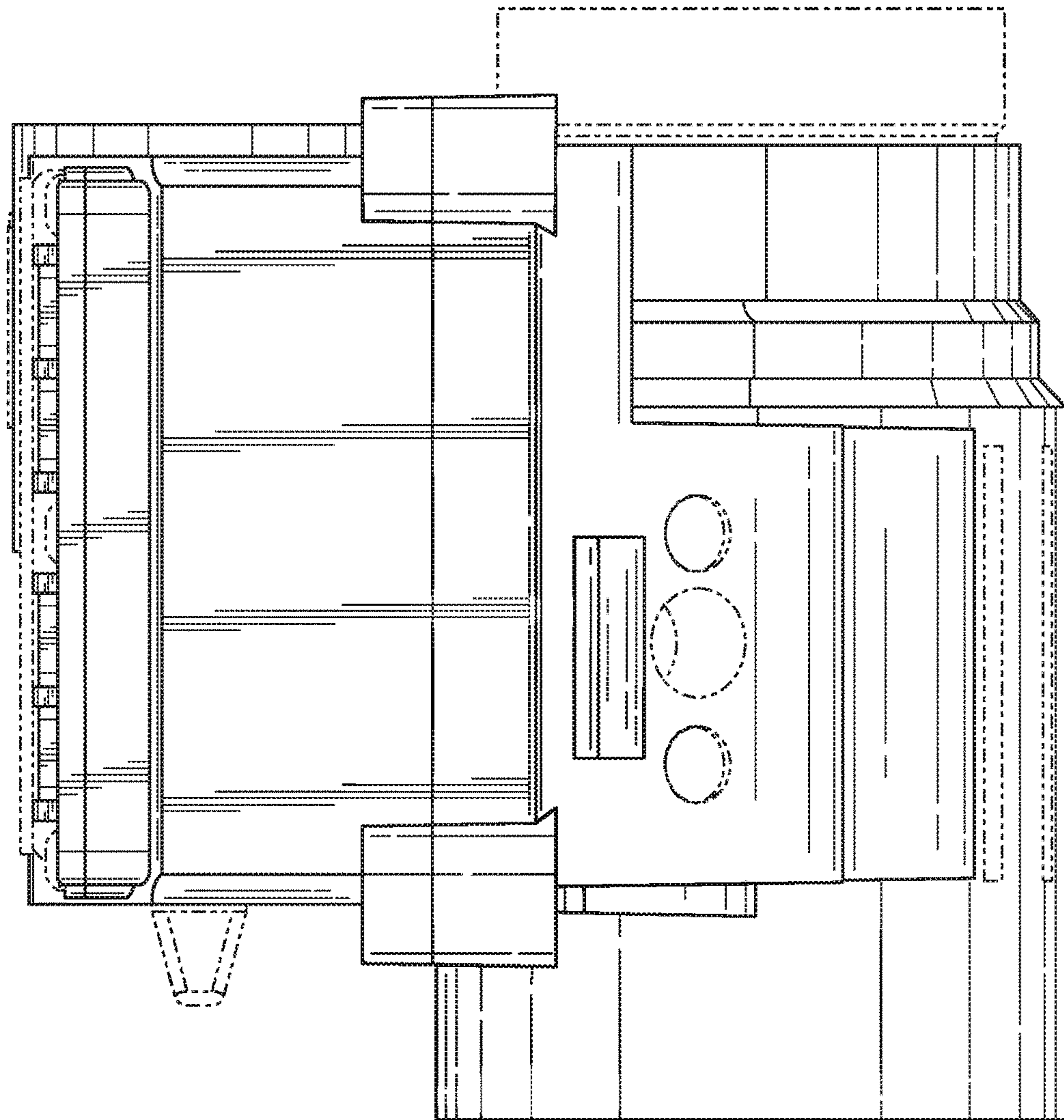


FIG. 16



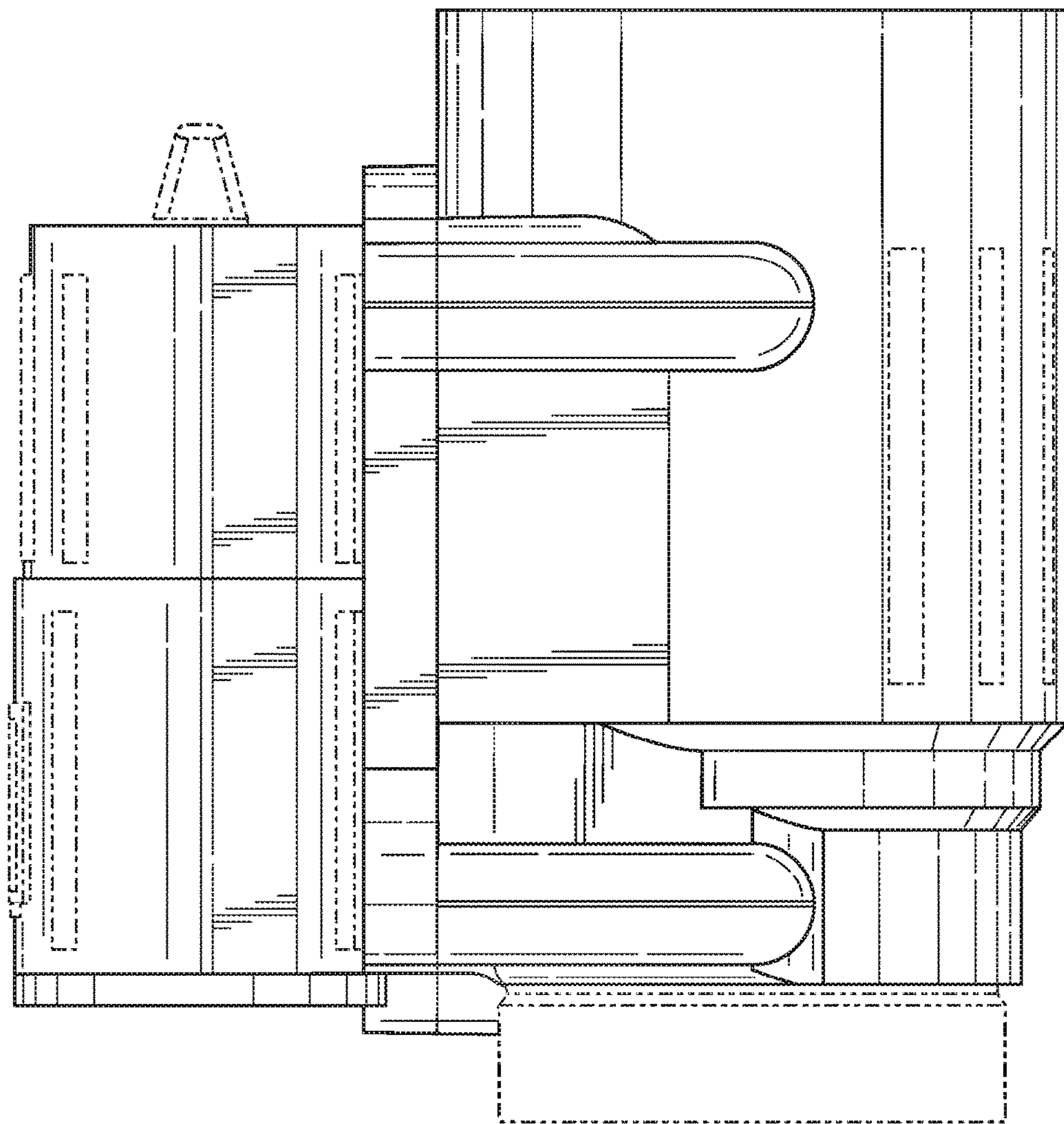


FIG. 17

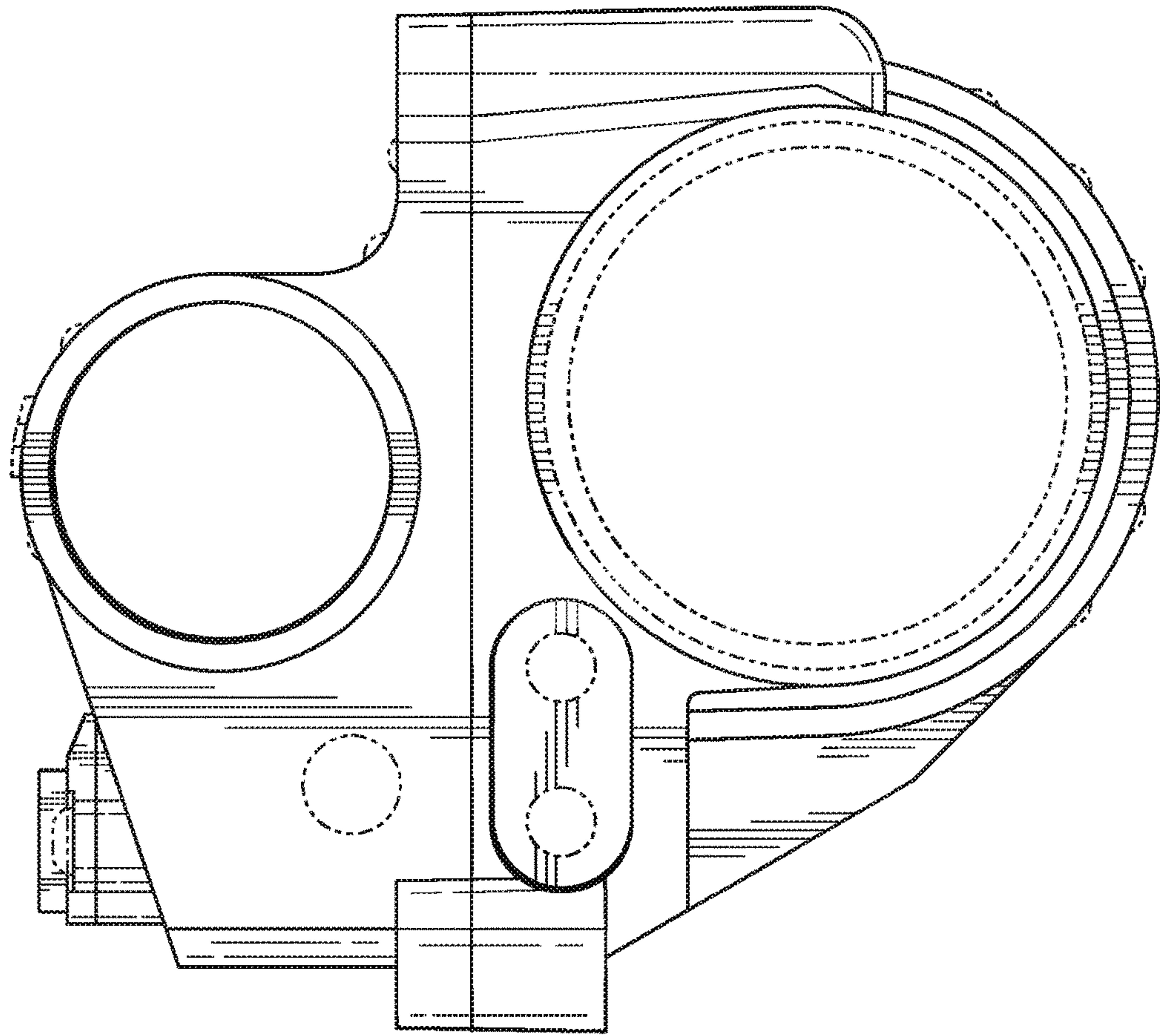


FIG. 18

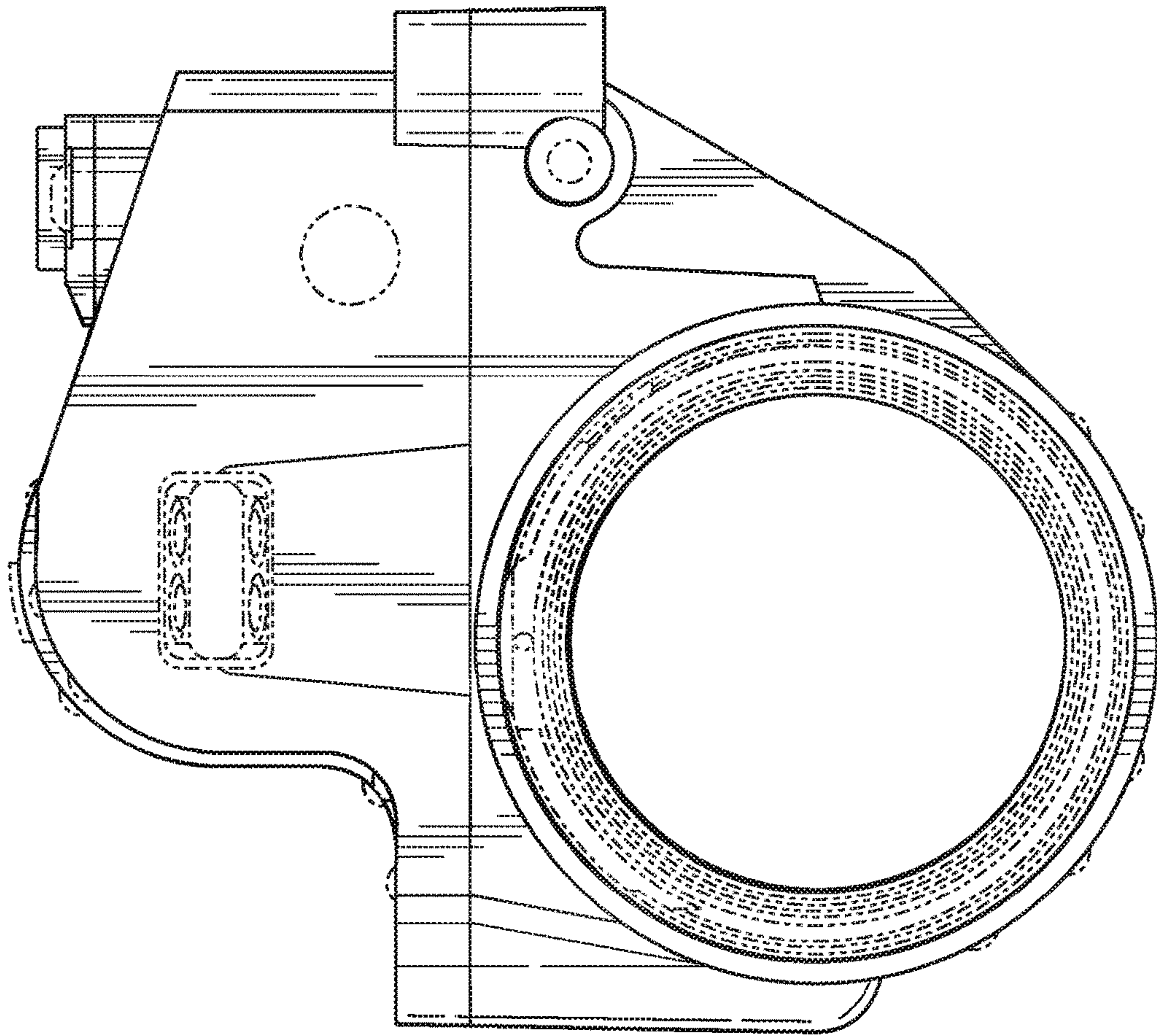


FIG. 19

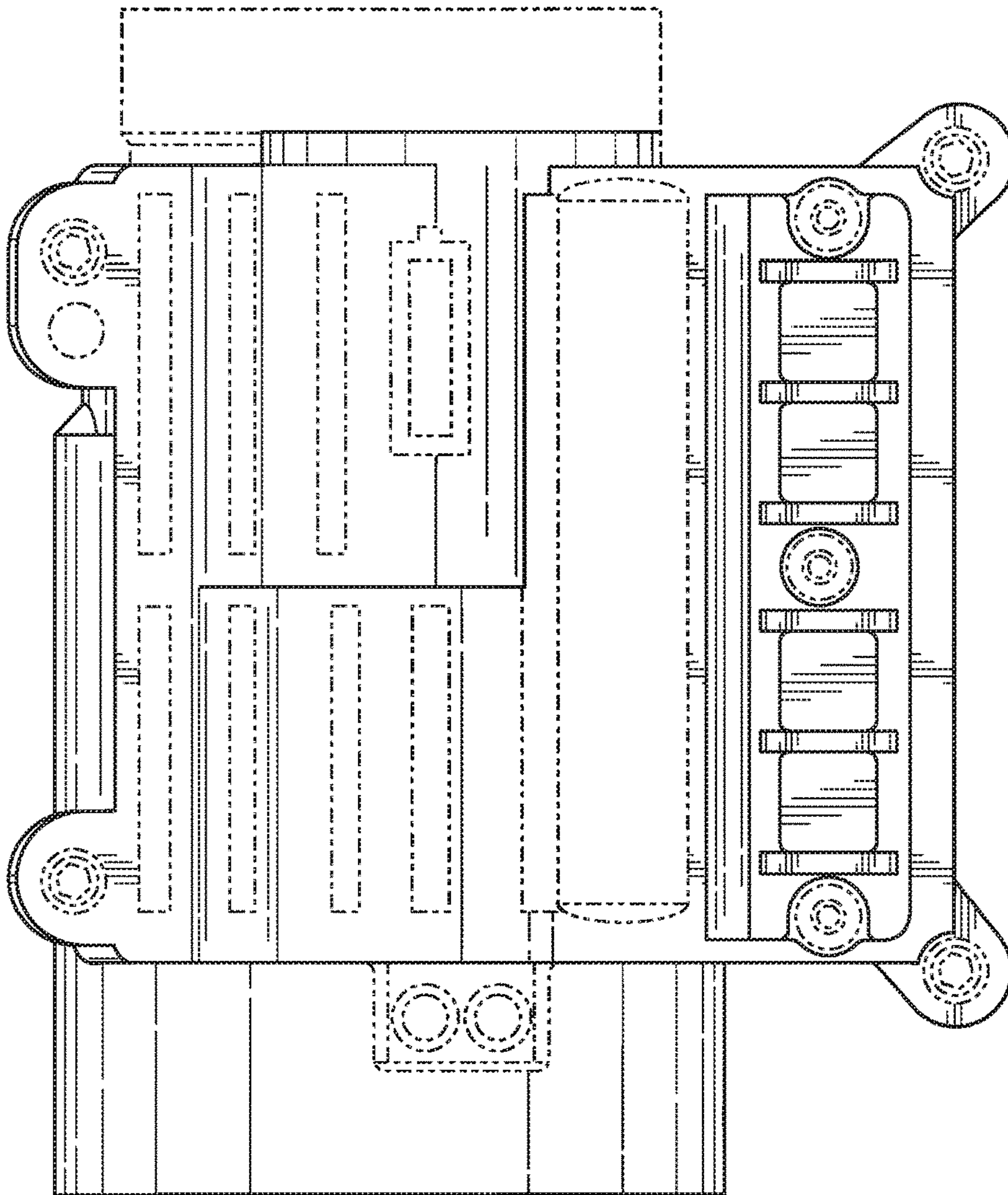


FIG. 20

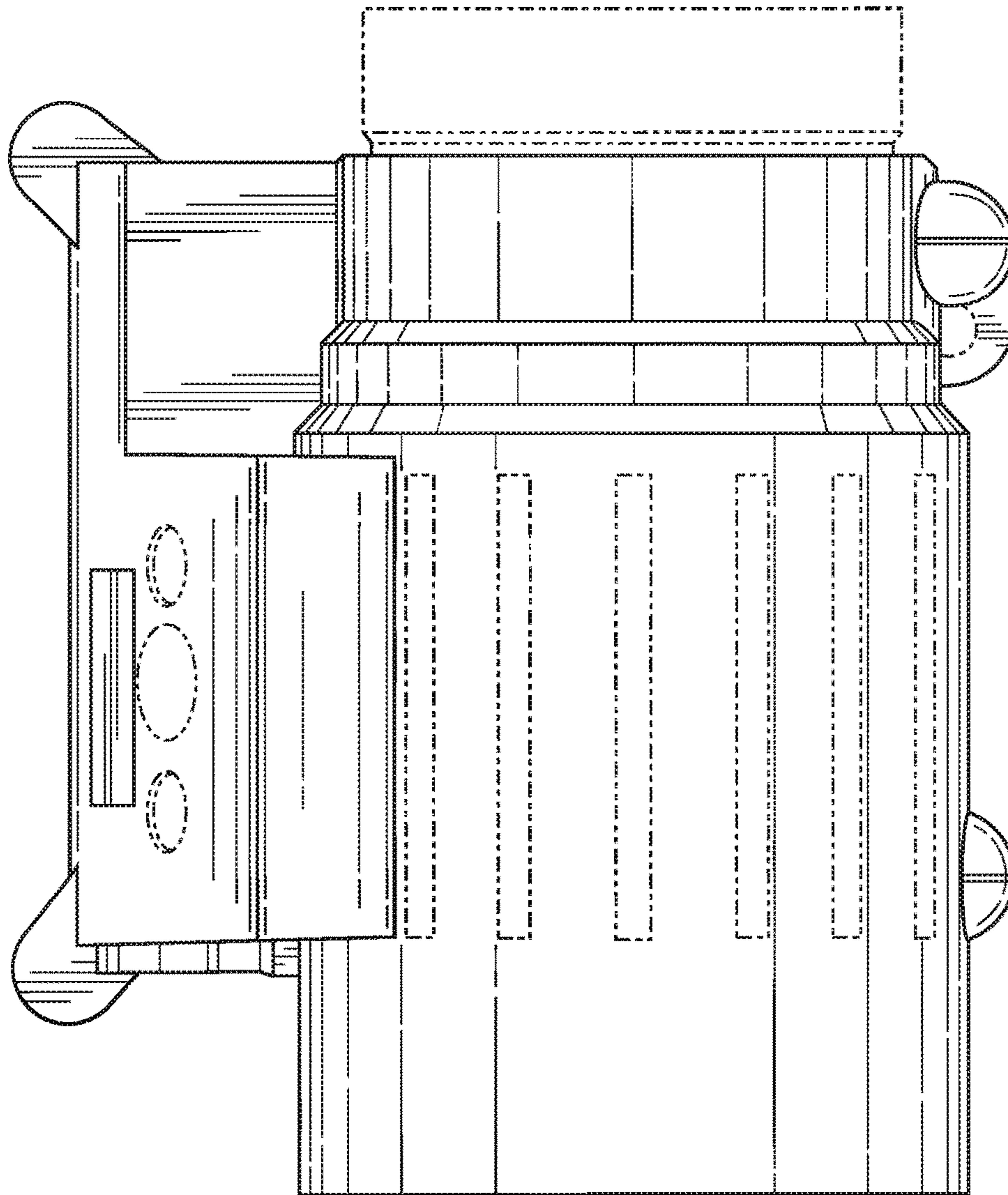


FIG. 21