



US00D798355S

(12) **United States Design Patent** (10) **Patent No.:** **US D798,355 S**  
**Bordegnoni et al.** (45) **Date of Patent:** **\*\* Sep. 26, 2017**

(54) **CONTROL OR PROGRAMMING UNIT, IN PARTICULAR FOR INDUSTRIAL ROBOT**

(71) Applicant: **Comau S.p.A.**, Grugliasco (Turin) (IT)

(72) Inventors: **Stefano Bordegnoni**, Grugliasco (IT); **Francesco Ciniello**, Grugliasco (IT)

(73) Assignee: **Comau S.p.A.**, Grugliasco (Turin) (IT)

(\*\*) Term: **15 Years**

(21) Appl. No.: **29/548,076**

(22) Filed: **Dec. 10, 2015**

(30) **Foreign Application Priority Data**

Jun. 12, 2015 (EM) ..... 002718270-0001

(51) **LOC (10) Cl.** ..... **15-99**

(52) **U.S. Cl.**  
USPC ..... **D15/199**

(58) **Field of Classification Search**

USPC ..... D13/164, 168; D15/122, 199; D21/578  
CPC ..... G06F 1/181; H05K 7/1424  
See application file for complete search history.

(56) **References Cited**

U.S. PATENT DOCUMENTS

- 3,669,068 A \* 6/1972 Geitz ..... B41D 5/00  
118/223  
4,135,669 A \* 1/1979 Bridges ..... B05B 9/007  
239/146  
4,690,286 A 9/1987 Horne et al.  
6,068,702 A \* 5/2000 Bertellotti ..... B05B 15/1229  
118/308  
6,155,166 A \* 12/2000 Bertagna ..... B41F 9/003  
101/150  
D560,271 S \* 1/2008 Kesti ..... D23/225  
D567,264 S \* 4/2008 Muller ..... D15/122  
D580,518 S \* 11/2008 Johnson ..... D23/225  
D597,173 S \* 7/2009 Mulgrew ..... D23/225

(Continued)

FOREIGN PATENT DOCUMENTS

- EP 0994644 A1 4/2000  
EP 2782355 A1 9/2014  
WO 03105549 A1 12/2003

OTHER PUBLICATIONS

Search Report cited in corresponding Italian application dated Apr. 29, 2016.

(Continued)

*Primary Examiner* — Patricia Palasik

(74) *Attorney, Agent, or Firm* — Young Basile Hanlon & MacFarlane, P.C.

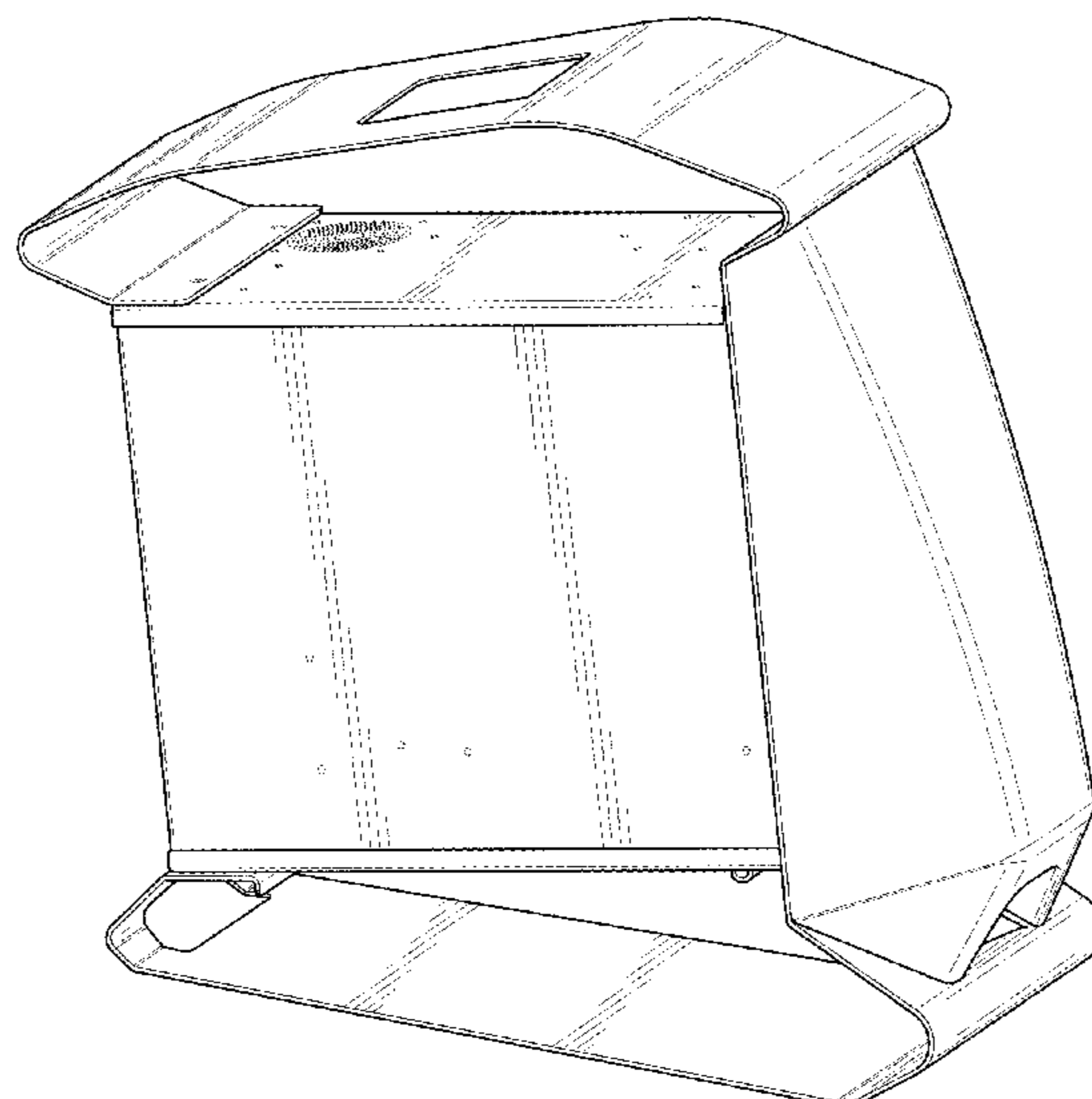
(57) **CLAIM**

The ornamental design for a control or programming unit, in particular for industrial robot, as shown and described.

**DESCRIPTION**

FIG. 1 is a front perspective view of a control or programming unit, in particular for industrial robot;  
 FIG. 2 is a front view of the control or programming unit, in particular for industrial robot of FIG. 1;  
 FIG. 3 is a rear view of the control or programming unit, in particular for industrial robot of FIG. 1;  
 FIG. 4 is a right side view of the control or programming unit, in particular for industrial robot of FIG. 1;  
 FIG. 5 is a left side view of the control or programming unit, in particular for industrial robot of FIG. 1;  
 FIG. 6 is a top view of the control or programming unit, in particular for industrial robot of FIG. 1; and,  
 FIG. 7 is a bottom view of the control or programming unit, in particular for industrial robot of FIG. 1.  
 The shade lines show contour and not surface ornamentation. Broken lines are environmental and form no part of the claimed design.

**1 Claim, 5 Drawing Sheets**



(56)

**References Cited**

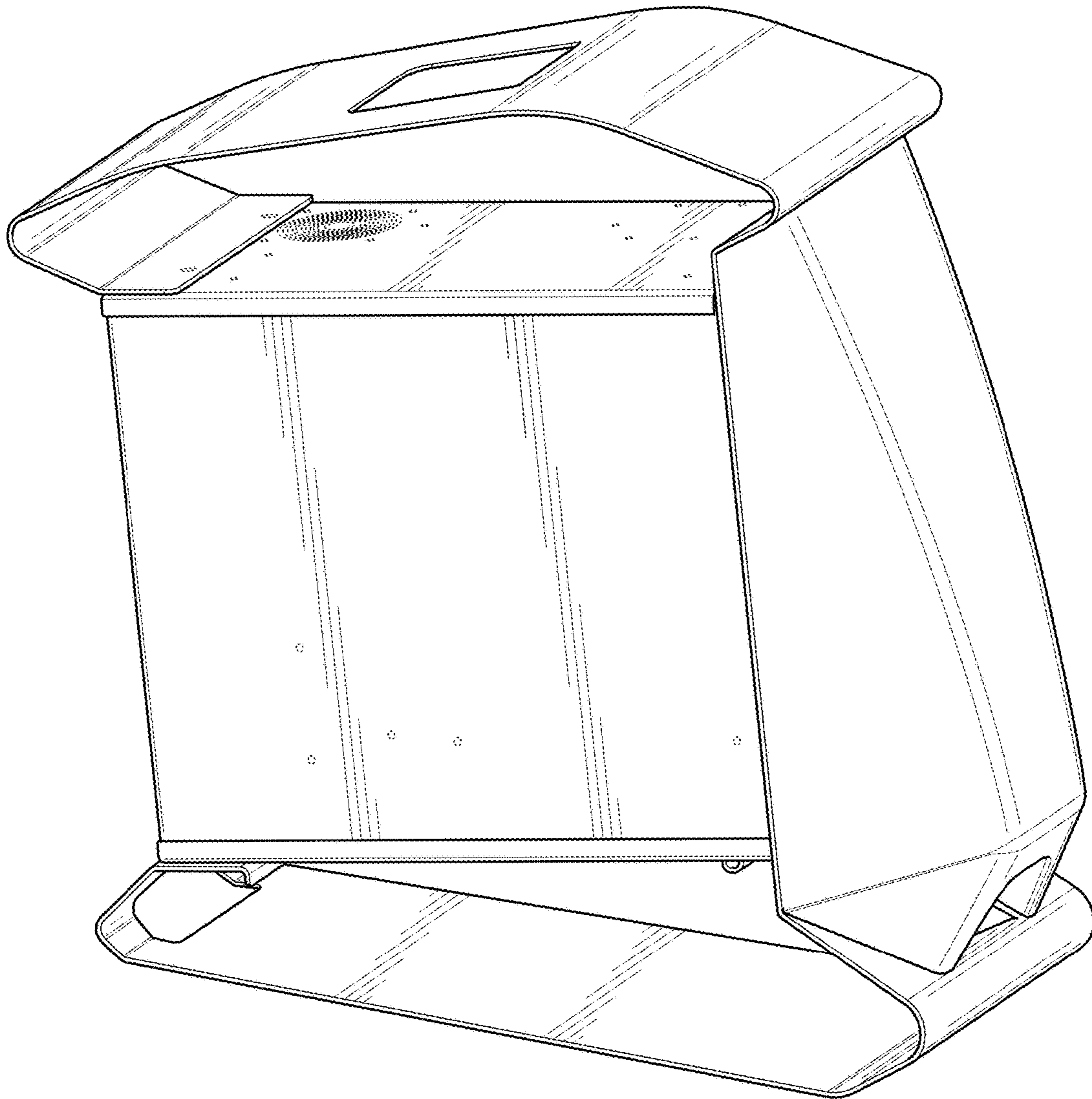
U.S. PATENT DOCUMENTS

D608,414	S	*	1/2010	Legatt	.....	D23/225
D616,064	S	*	5/2010	Mattson	.....	D23/225
D616,065	S	*	5/2010	Gundersen	.....	D23/225
D621,426	S	*	8/2010	Fusejima	.....	D15/122
D622,296	S	*	8/2010	Ueberschlag	.....	D15/122
D674,420	S	*	1/2013	Ueberschlag	.....	D15/122
D694,298	S	*	11/2013	Hoelbl	.....	D15/122
D703,709	S	*	4/2014	Tix	.....	D15/135
D713,865	S	*	9/2014	Anderson	.....	D15/135
D733,840	S	*	7/2015	Butler	.....	D23/225
D749,192	S	*	2/2016	Fontaine	.....	D23/225
D785,057	S	*	4/2017	Strothmann	.....	D15/122
D785,058	S	*	4/2017	Strothmann	.....	D15/122
2003/0011288	A1		1/2003	Searby		
2006/0147633	A1	*	7/2006	Jones	.....	B05C 5/00 427/299

OTHER PUBLICATIONS

European Community Design No. 002718270-0001, filed Jun 12, 2015.

\* cited by examiner



**FIG. 1**

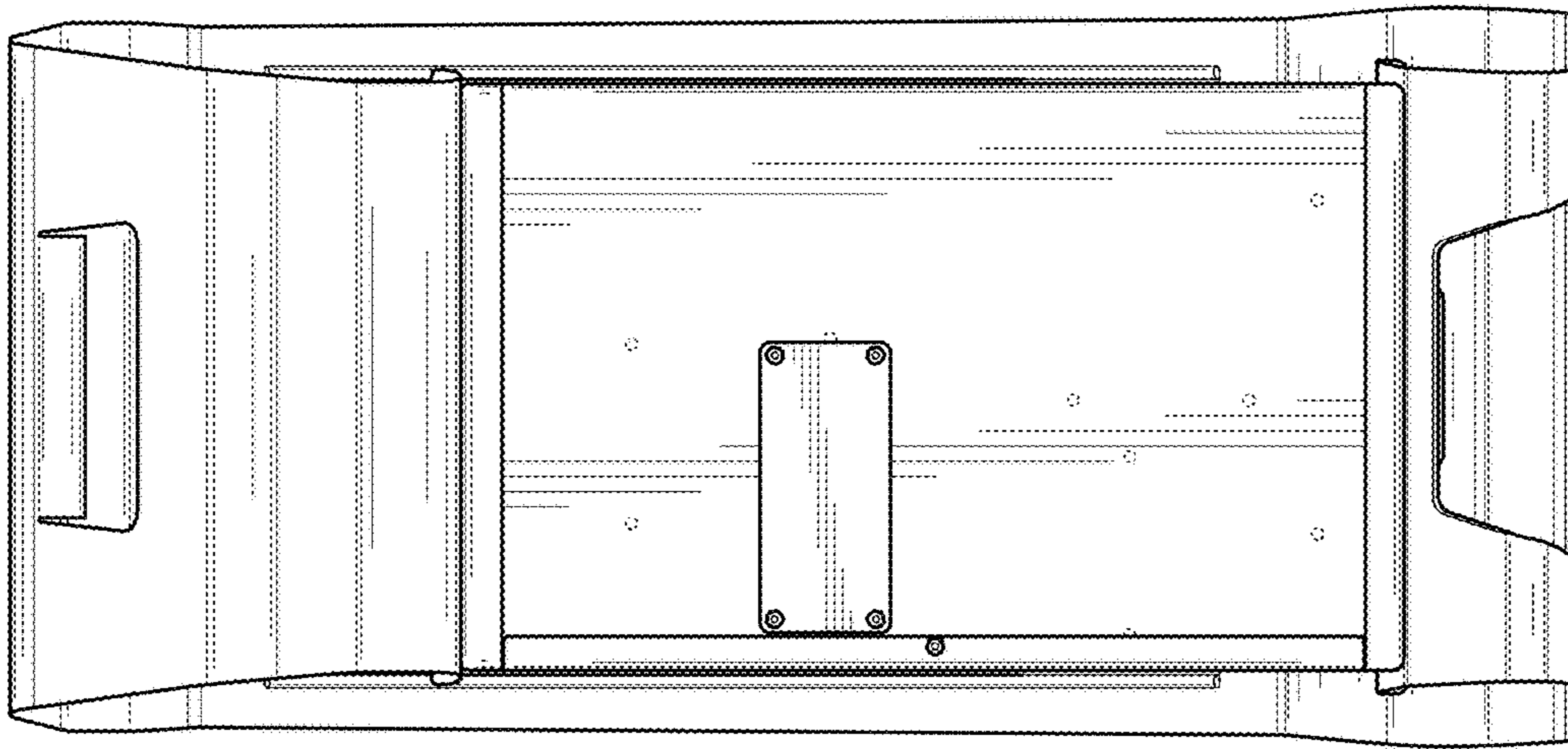


FIG. 3

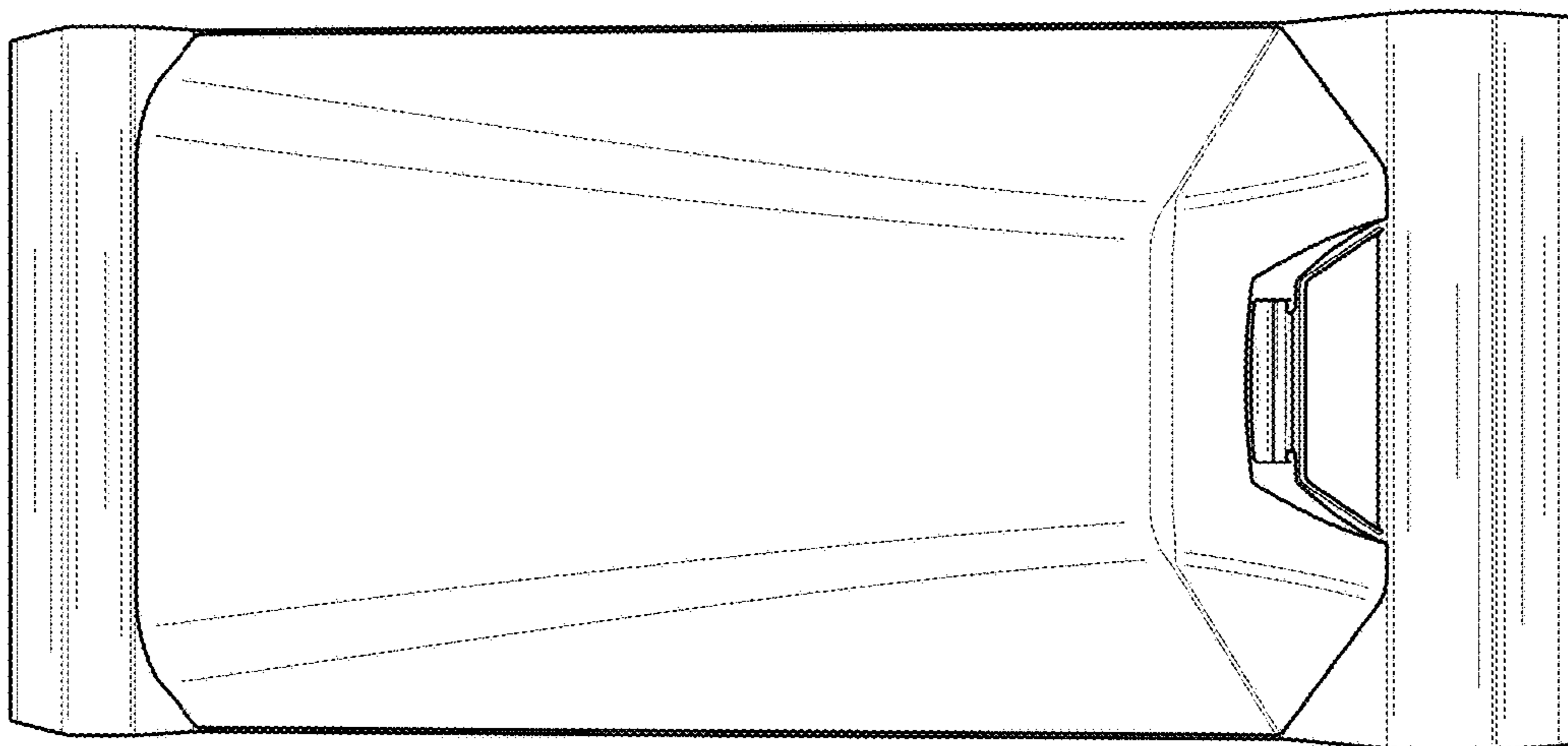


FIG. 2

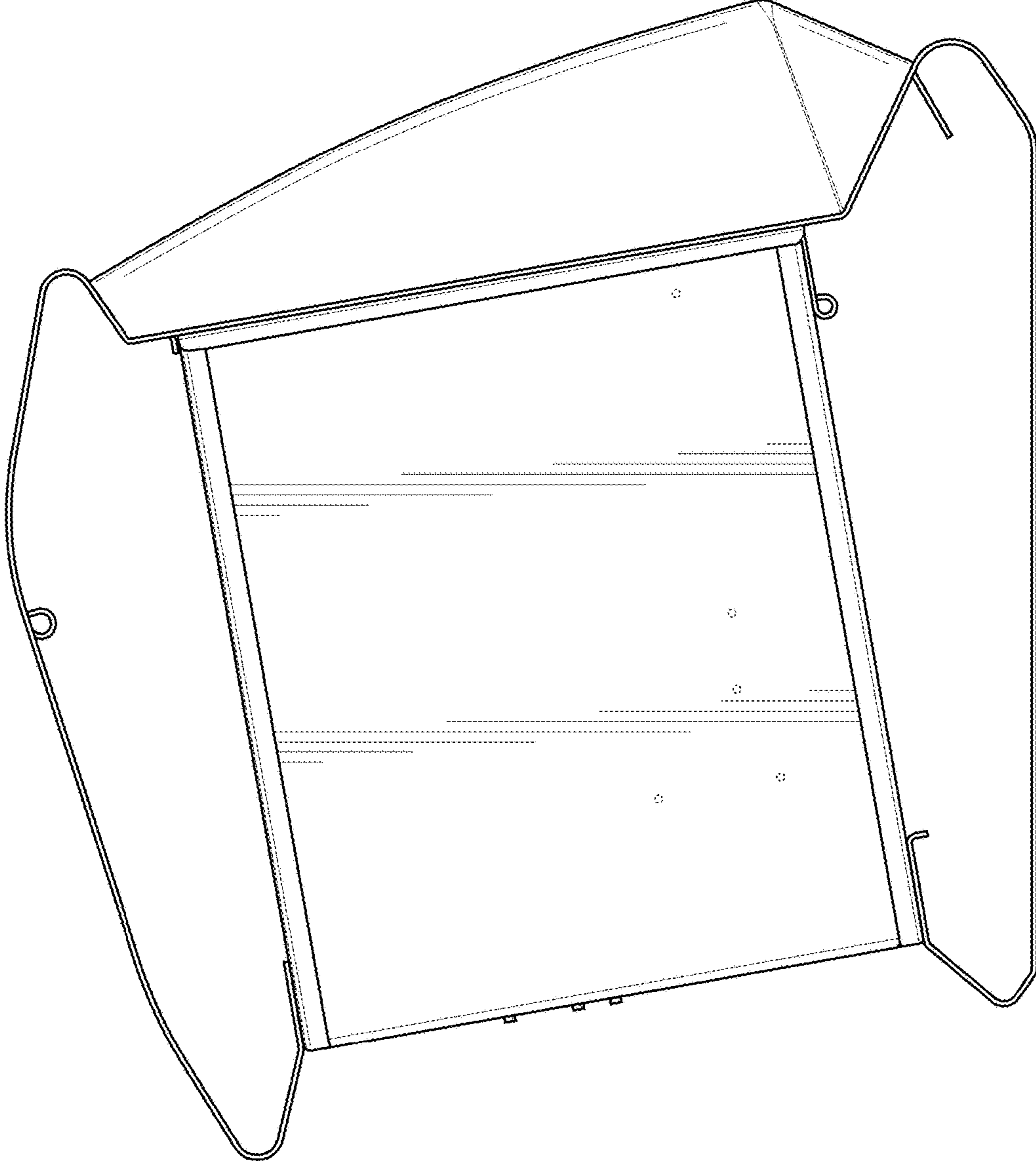


FIG. 4

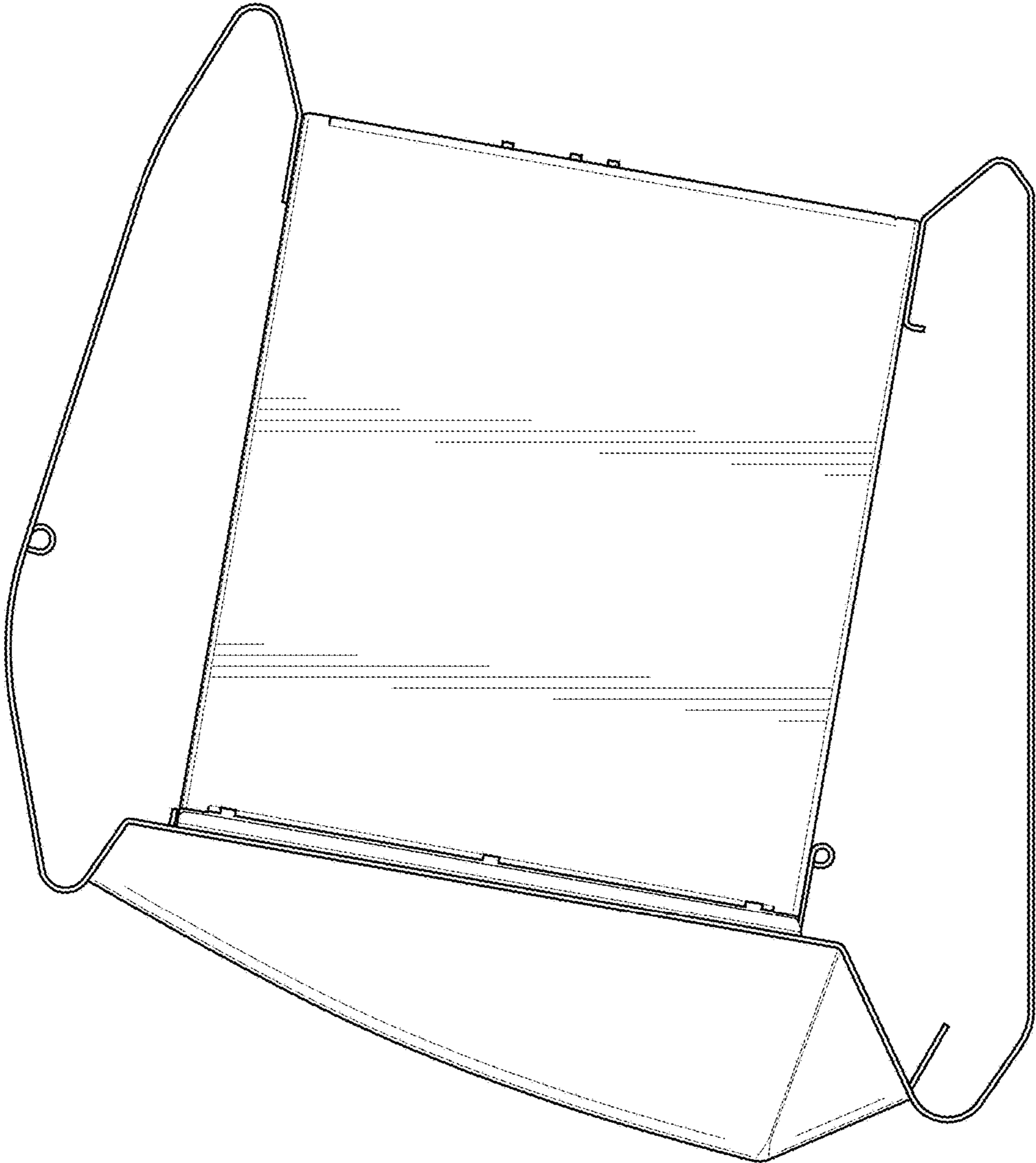


FIG. 5

FIG. 6

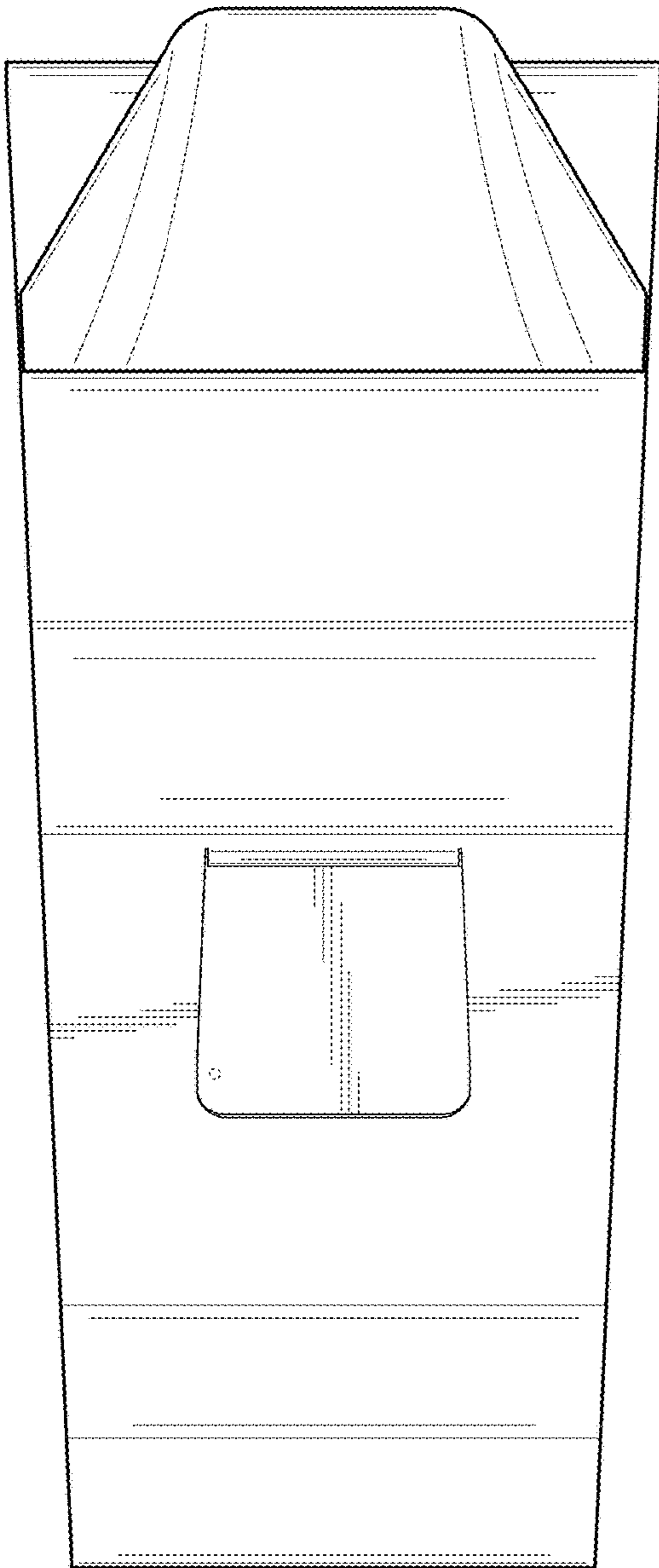


FIG. 7

