



US00D798353S

(12) **United States Design Patent**  
**Martin et al.**

(10) **Patent No.:** **US D798,353 S**

(45) **Date of Patent:** **\*\* Sep. 26, 2017**

(54) **PRINTING MACHINE**

(71) Applicant: **Dover Europe Sàrl**, Vernier (CH)

(72) Inventors: **Elisabeth Martin**, Chatuzange le goubet (FR); **Leslie Le Marec**, Valence (FR); **Christian Araszkievich**, Larnage (FR)

(73) Assignee: **DOVER EUROPE SÀRL**, Vernier (CH)

(\*\*) Term: **15 Years**

(21) Appl. No.: **29/562,450**

(22) Filed: **Apr. 26, 2016**

(30) **Foreign Application Priority Data**

Feb. 11, 2016 (EM) ..... 002982660-0003

(51) **LOC (10) Cl.** ..... **15-09**

(52) **U.S. Cl.**  
USPC ..... **D15/145**

(58) **Field of Classification Search**  
USPC ..... D15/138, 145; D18/50  
CPC ..... G06K 1/20; G06K 19/0725  
See application file for complete search history.

(56) **References Cited**

**U.S. PATENT DOCUMENTS**

4,835,624 A \* 5/1989 Black ..... A63F 3/065  
360/2  
D328,469 S \* 8/1992 Stilley ..... D18/14

D389,510 S \* 1/1998 Mimoto ..... D18/19  
D674,008 S \* 1/2013 Miller ..... D18/50  
2008/0251009 A1 \* 10/2008 Nagai ..... G06K 1/20  
118/35  
2008/0298870 A1 \* 12/2008 Tsirline ..... G06K 1/20  
400/613  
2012/0105522 A1 \* 5/2012 Wallsten ..... B41J 2/04  
347/9  
2012/0139996 A1 \* 6/2012 McNestry ..... B41J 2/14  
347/44  
2016/0189020 A1 \* 6/2016 Duckett ..... G06K 1/20  
235/462.01  
2016/0303871 A1 \* 10/2016 Bouwens ..... B41J 2/0057

\* cited by examiner

*Primary Examiner* — Patricia Palasik

(74) *Attorney, Agent, or Firm* — Pearne & Gordon, LLP

(57) **CLAIM**

The ornamental design for a printing machine, as shown and described.

**DESCRIPTION**

FIG. 1 is a perspective view of a printing machine showing our new design;  
FIG. 2 is a front view thereof;  
FIG. 3 is a right view thereof;  
FIG. 4 is a top view thereof;  
FIG. 5 is a left view thereof;  
FIG. 6 is a rear view thereof; and,  
FIG. 7 is a bottom view thereof.  
The broken lines in the drawings depict unclaimed environmental subject matter.

**1 Claim, 6 Drawing Sheets**

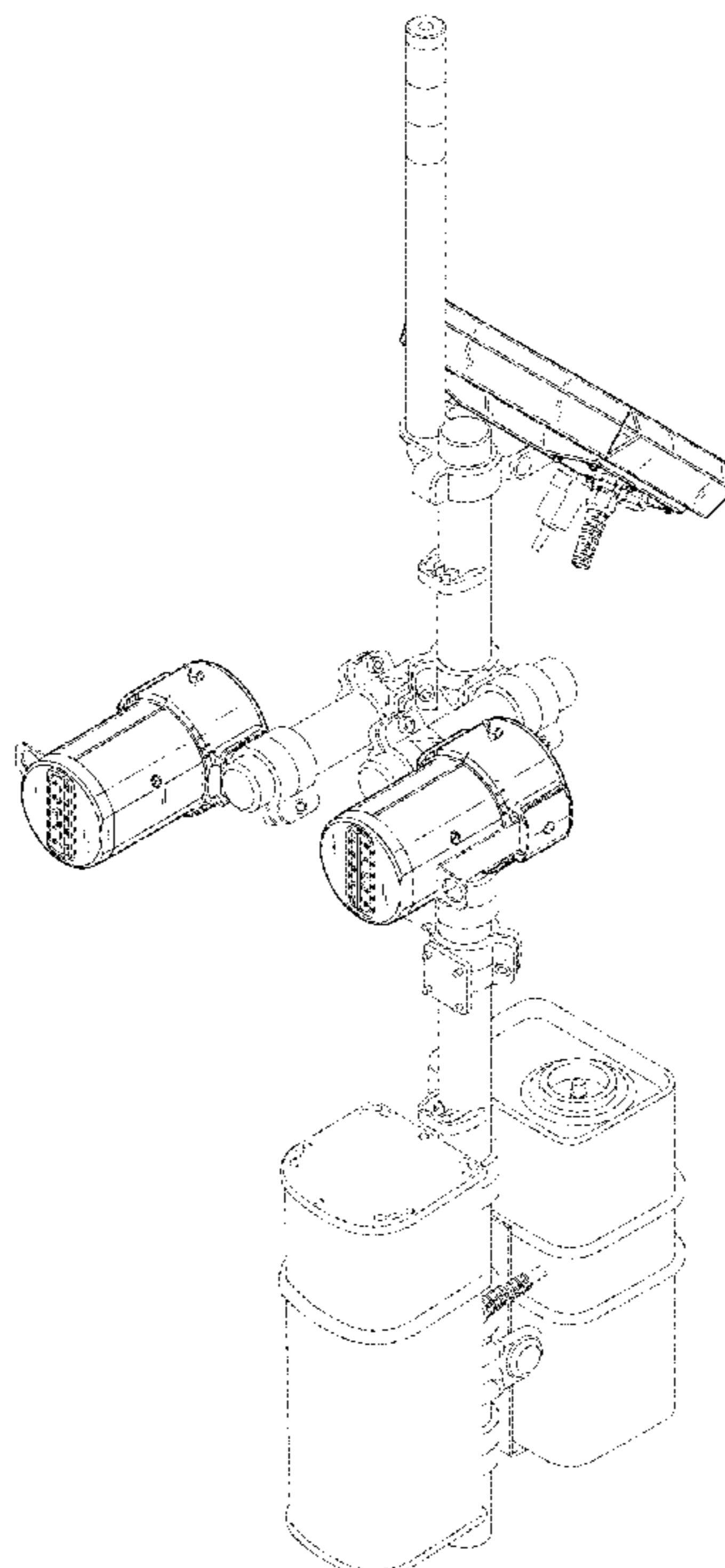


FIG. 1

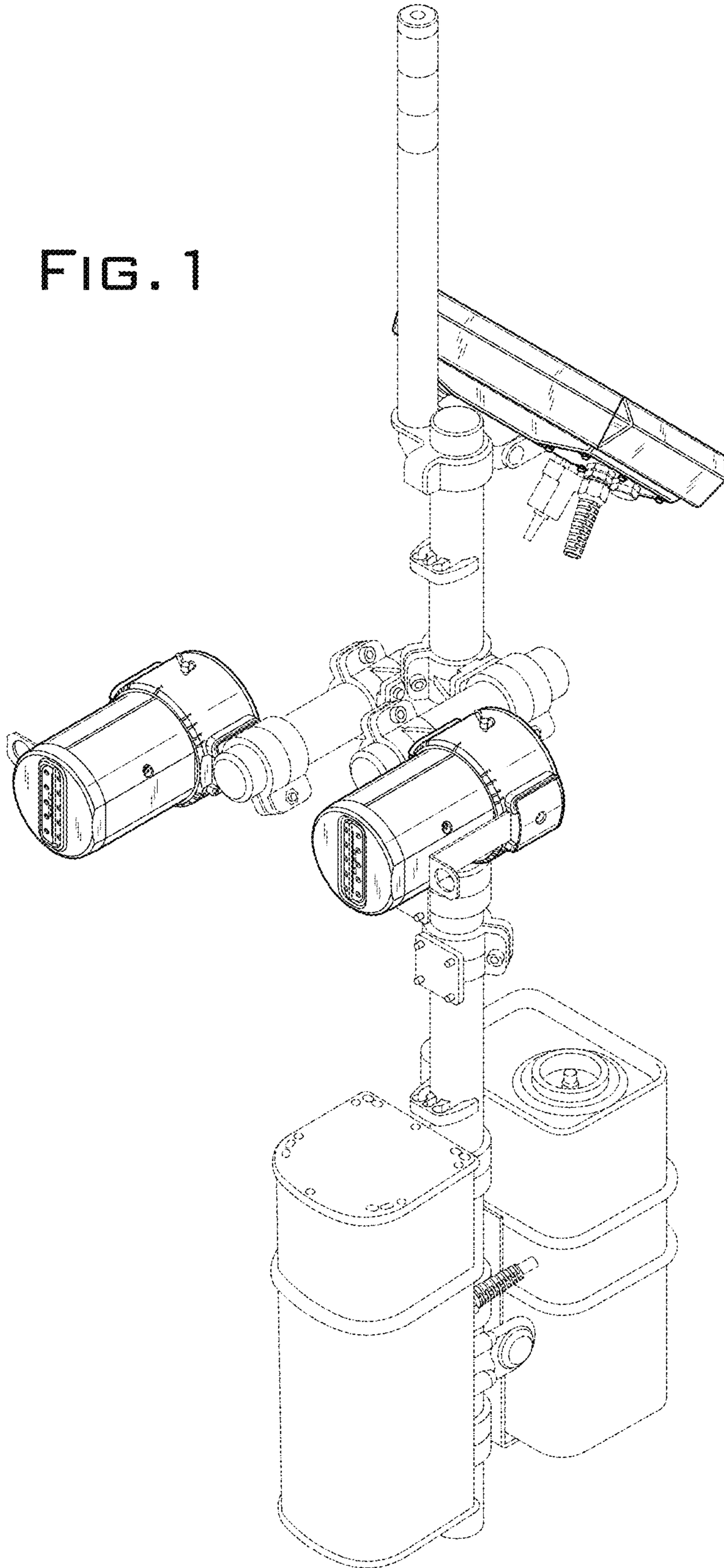


FIG. 2

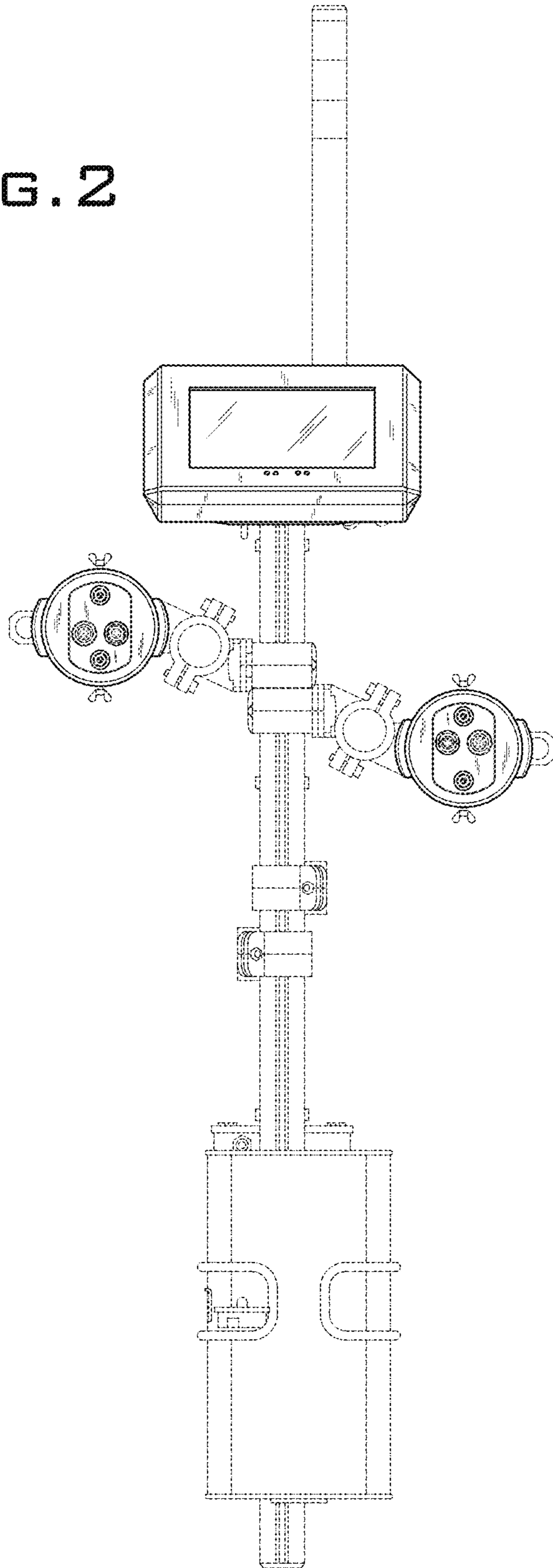
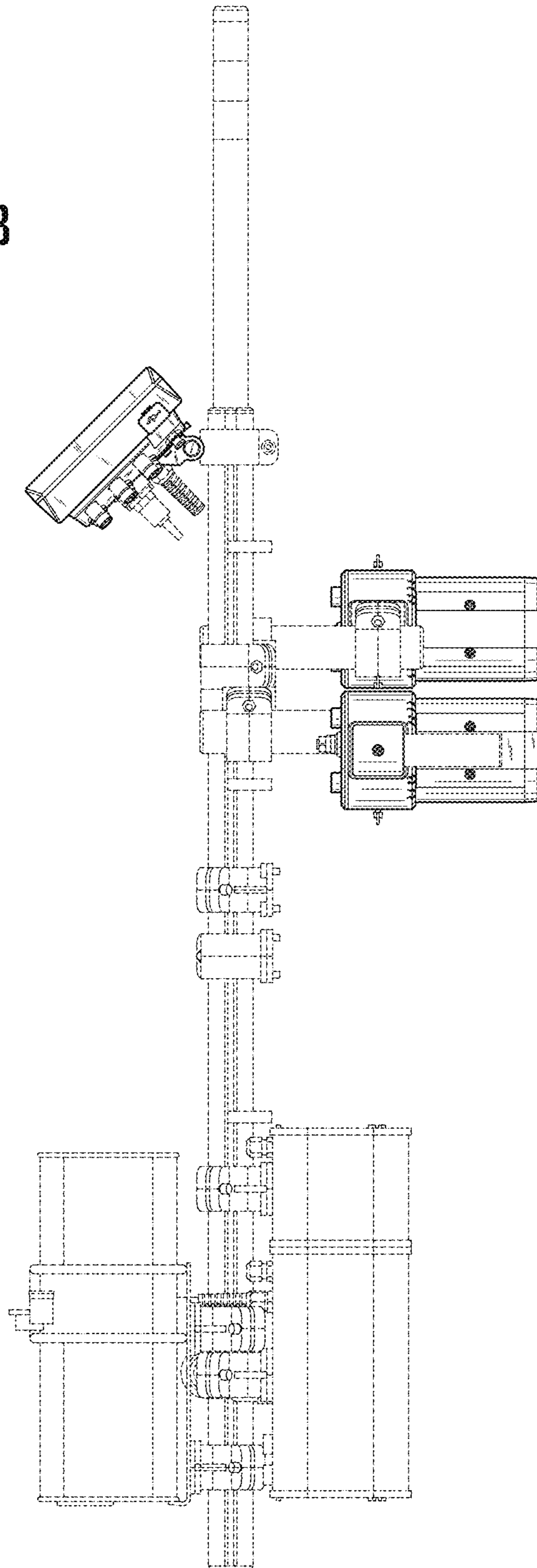


FIG. 3





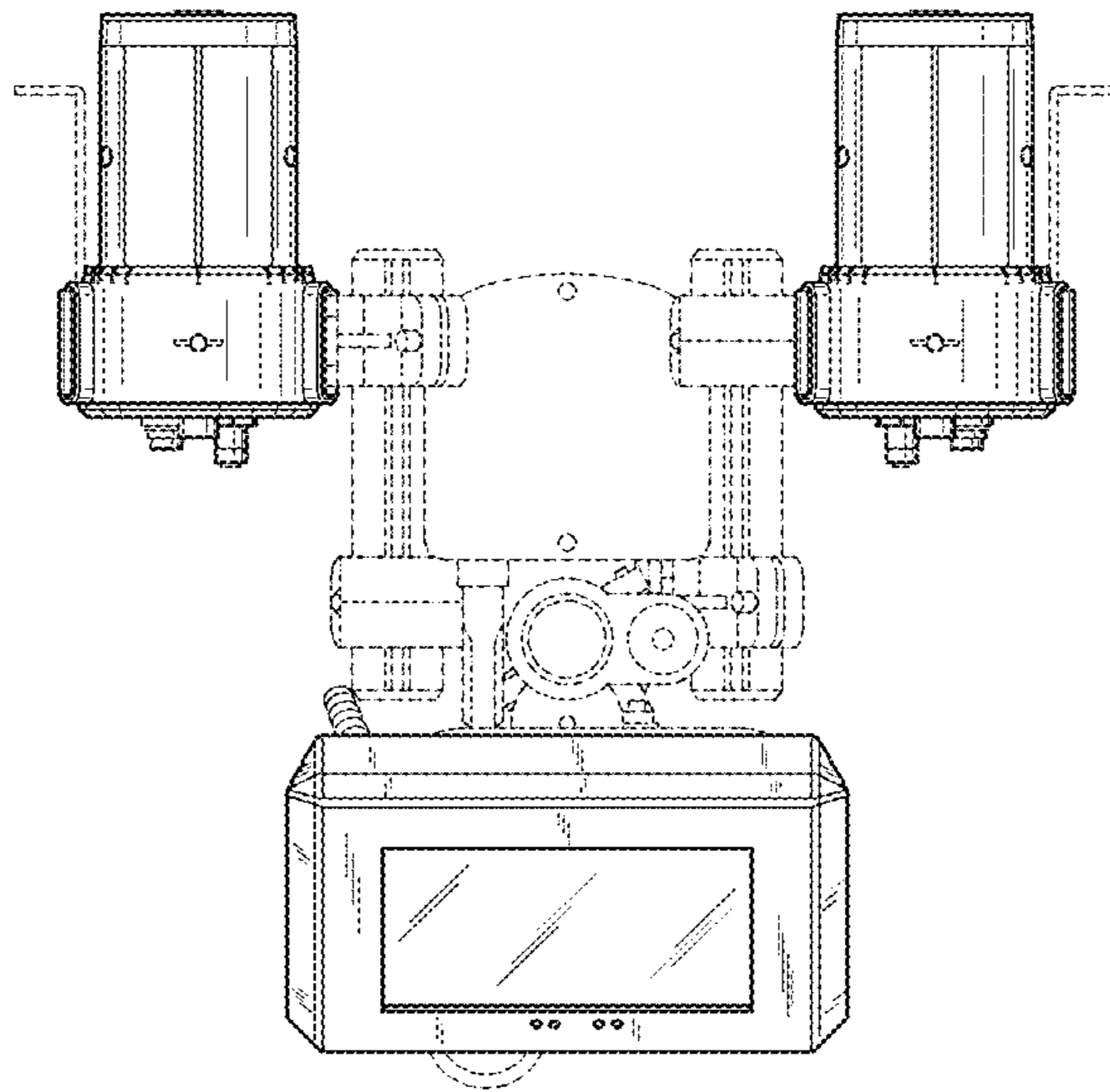


FIG. 4

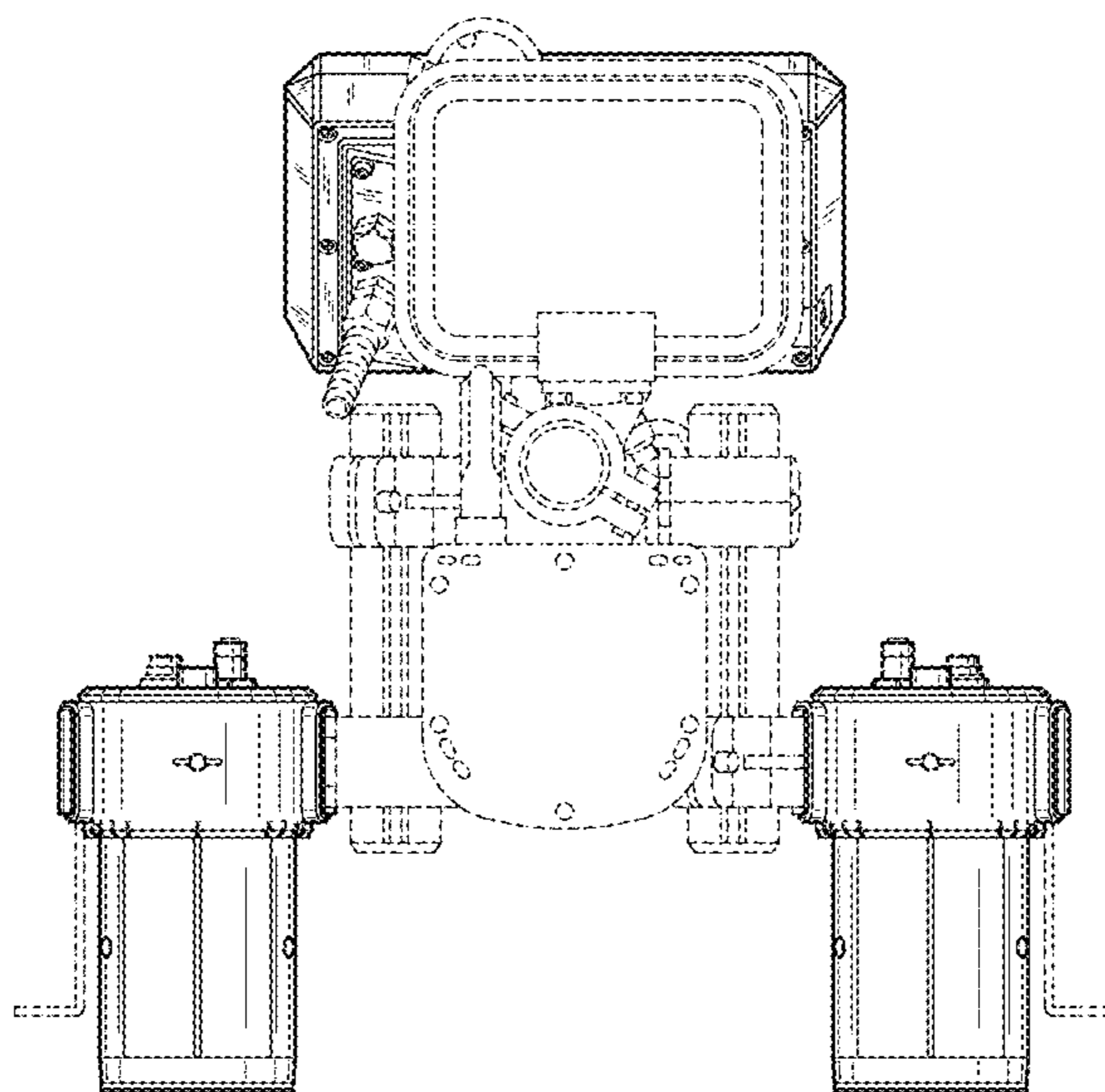


FIG. 7

FIG. 5

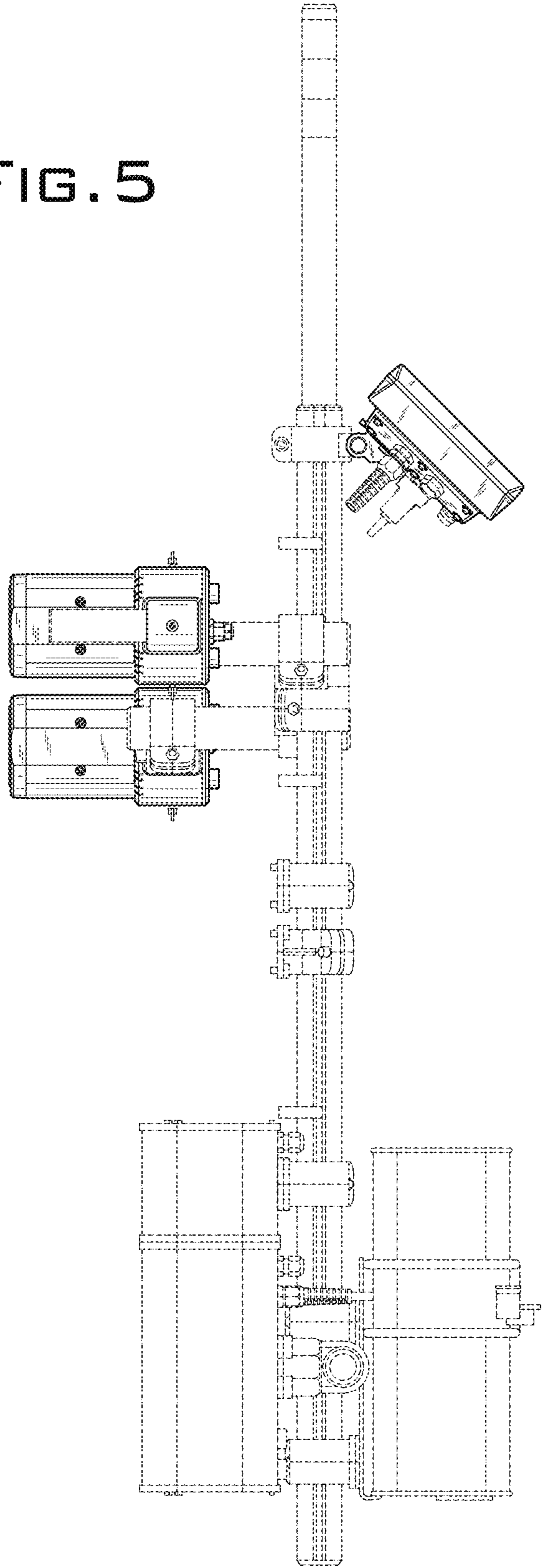


FIG. 6

