



US00D798352S

(12) **United States Design Patent**  
**Si et al.**

(10) **Patent No.:** **US D798,352 S**

(45) **Date of Patent:** **\*\* Sep. 26, 2017**

(54) **BAG OR SACK FILLING MACHINE**

(71) Applicants: **Kuangshu Si**, Hangzhou (CN); **Guian Si**, Hangzhou (CN); **Yuan Li**, Hangzhou (CN); **Yugui Liu**, Hangzhou (CN)

(72) Inventors: **Kuangshu Si**, Hangzhou (CN); **Guian Si**, Hangzhou (CN); **Yuan Li**, Hangzhou (CN); **Yugui Liu**, Hangzhou (CN)

(73) Assignee: **HANGZHOU BING JIA TECHNOLOGY CO., LTD.**, Hangzhou, Zhejiang Province (CN)

(\*\*) Term: **15 Years**

(21) Appl. No.: **29/561,890**

(22) Filed: **Apr. 20, 2016**

(51) **LOC (10) Cl.** ..... **15-99**

(52) **U.S. Cl.**  
USPC ..... **D15/145**

(58) **Field of Classification Search**  
USPC ..... D15/145, 146; 53/251, 475, 494, 506, 53/570; 414/788.1, 799, 800  
CPC .... B65B 1/06; B65B 1/18; B65B 1/32; B65B 7/06; B65B 39/00; B65B 39/08; B65B 39/007; B65B 43/22; B65B 43/30; B65B 43/52; B65B 43/465; B65B 51/07; B65G 57/03

See application file for complete search history.

(56) **References Cited**

**U.S. PATENT DOCUMENTS**

1,926,802 A \* 9/1933 Carrier ..... B65B 1/18  
141/102  
2,623,671 A \* 12/1952 Firestone ..... B65B 1/32  
141/283

D187,434 S \* 3/1960 Heavner et al. .... D15/145  
2,973,610 A \* 3/1961 Randall ..... B65B 43/22  
271/107  
D192,752 S \* 5/1962 Toledo ..... D15/145  
3,540,539 A \* 11/1970 Lau ..... G01G 13/00  
177/256  
D239,461 S \* 4/1976 Heavner ..... D15/145  
RE29,384 E \* 9/1977 Hudson ..... B65B 39/02  
141/10  
4,074,507 A \* 2/1978 Ruf ..... B65B 1/12  
141/103  
4,322,932 A \* 4/1982 McGregor ..... B65B 39/08  
53/284.7  
D264,723 S \* 6/1982 Tsujimoto ..... D15/145  
D269,787 S \* 7/1983 Cramer ..... D15/145  
4,676,284 A \* 6/1987 DeCrane ..... B65B 67/1222  
141/114  
5,165,455 A \* 11/1992 De Crane ..... B65B 43/54  
141/10  
5,535,792 A \* 7/1996 McGregor ..... B65B 43/465  
141/129  
6,003,289 A \* 12/1999 McGregor ..... B65B 7/06  
141/114

(Continued)

*Primary Examiner* — Patricia Palasik

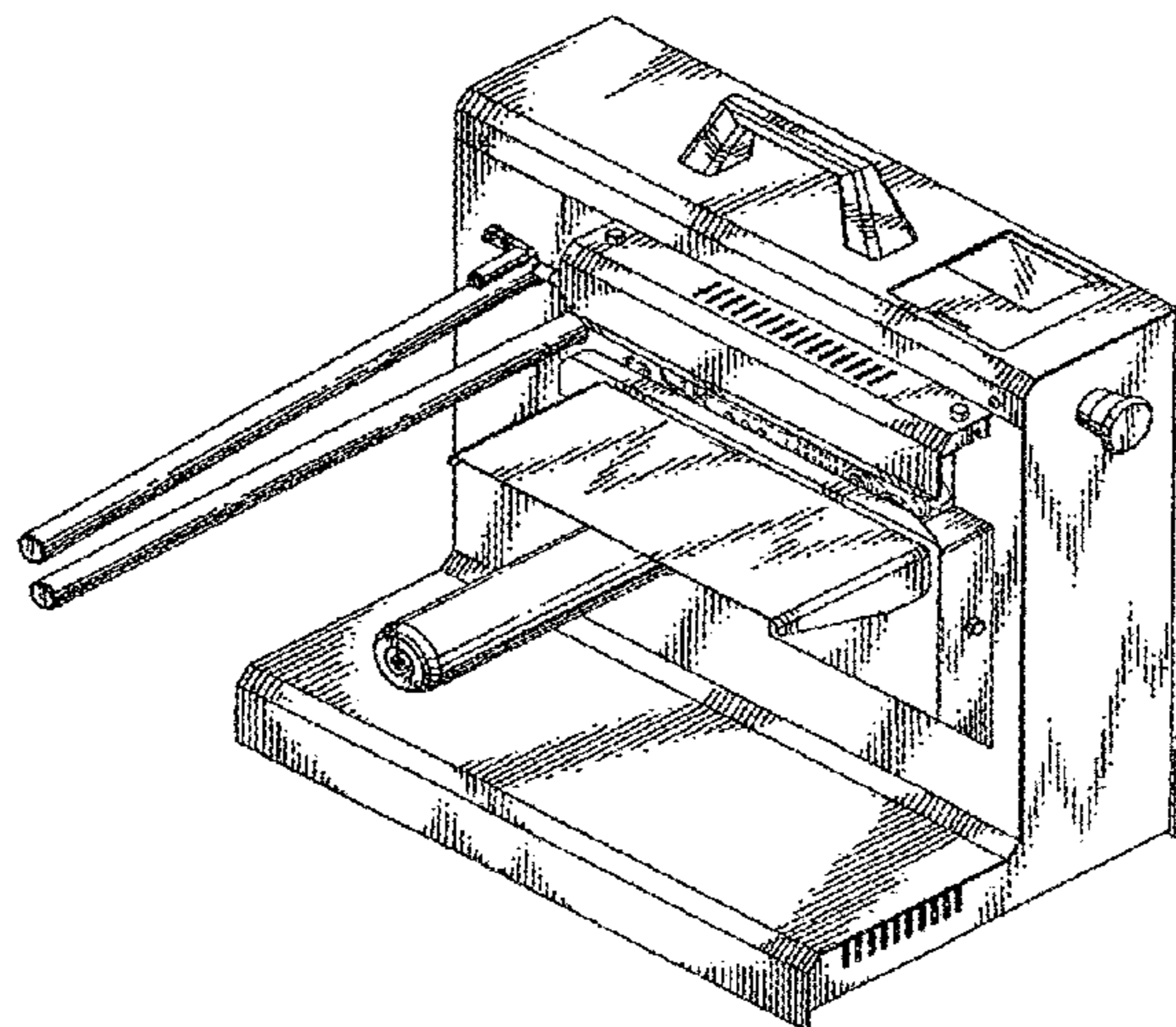
(57) **CLAIM**

We claim the ornamental design for a bag or sack filling machine, as shown and described.

**DESCRIPTION**

FIG. 1 is a perspective view of a bag or sack filling machine showing our new design;  
FIG. 2 is a front elevational view thereof;  
FIG. 3 is a rear elevational view thereof;  
FIG. 4 is a left elevational view thereof;  
FIG. 5 is a right elevational view thereof;  
FIG. 6 is a top plan view thereof; and,  
FIG. 7 is a bottom plan view thereof.  
The broken lines in the drawings depict unclaimed environment subject matter.

**1 Claim, 7 Drawing Sheets**



(56)

**References Cited**

U.S. PATENT DOCUMENTS

6,094,891 A \* 8/2000 Savigny ..... B65B 43/36  
141/145  
6,295,790 B1 \* 10/2001 McGregor ..... B65B 43/465  
53/374.3  
D643,450 S \* 8/2011 Verhoeven ..... D15/145  
D733,778 S \* 7/2015 Savage ..... D15/146  
2005/0066629 A1 \* 3/2005 Taylor ..... B65B 59/04  
53/551  
2007/0119632 A1 \* 5/2007 Noumi ..... B65B 1/46  
177/58  
2012/0317936 A1 \* 12/2012 Murray ..... B65B 3/045  
53/545  
2013/0019995 A1 \* 1/2013 Muse ..... B65F 1/1415  
141/340  
2015/0298841 A1 \* 10/2015 Ensor ..... B65B 43/465  
53/475

\* cited by examiner

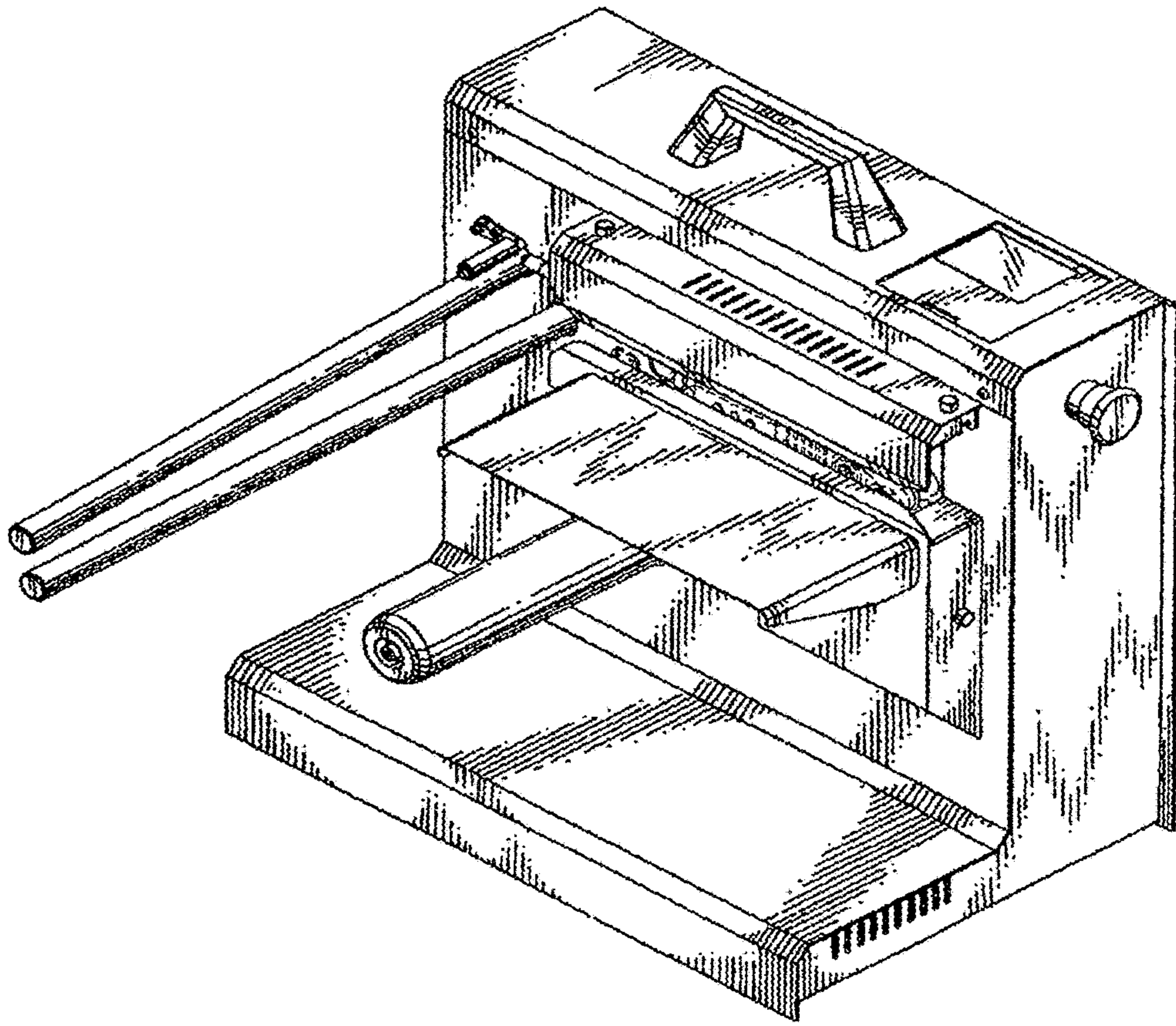


Fig. 1



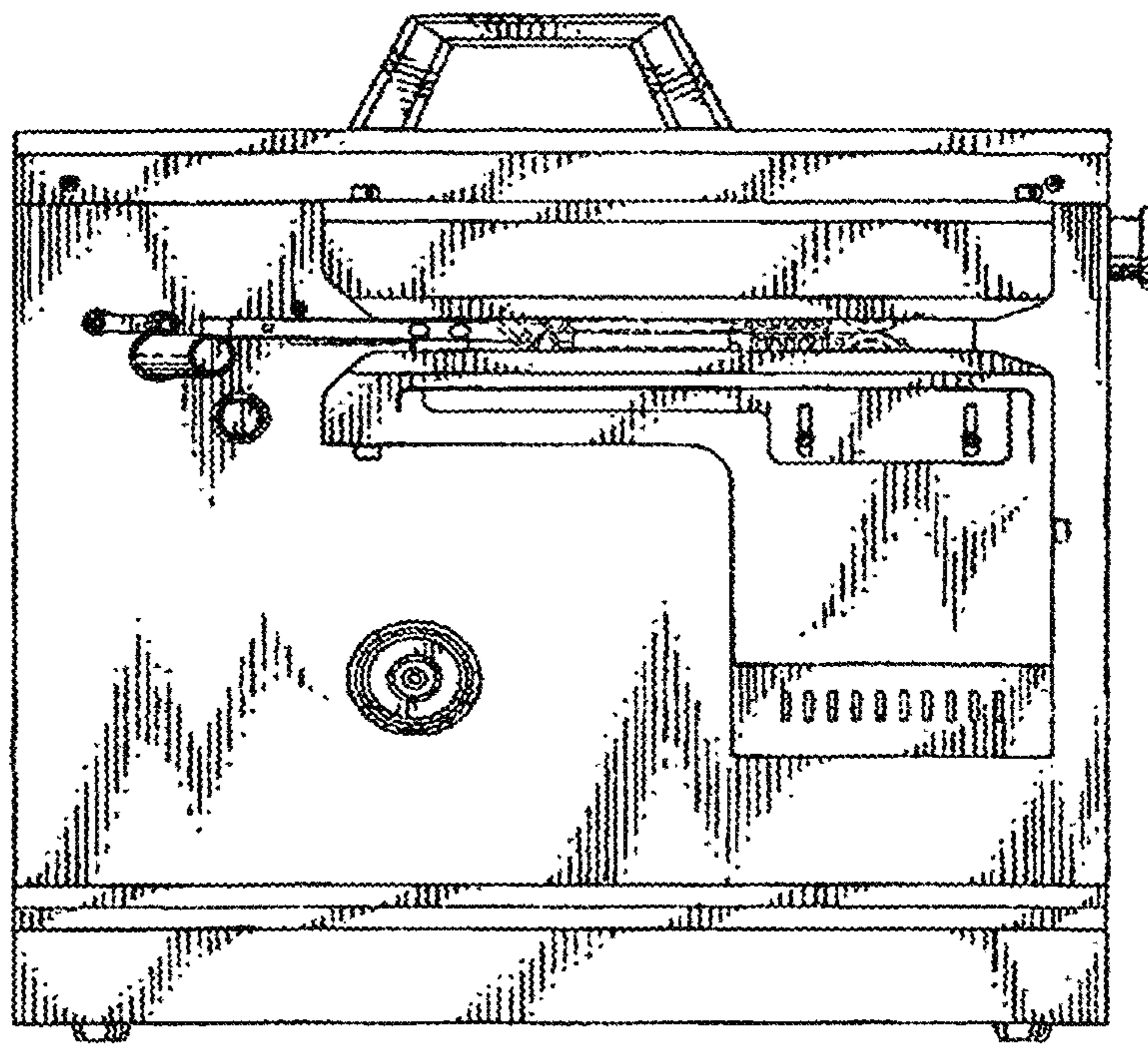


Fig.2

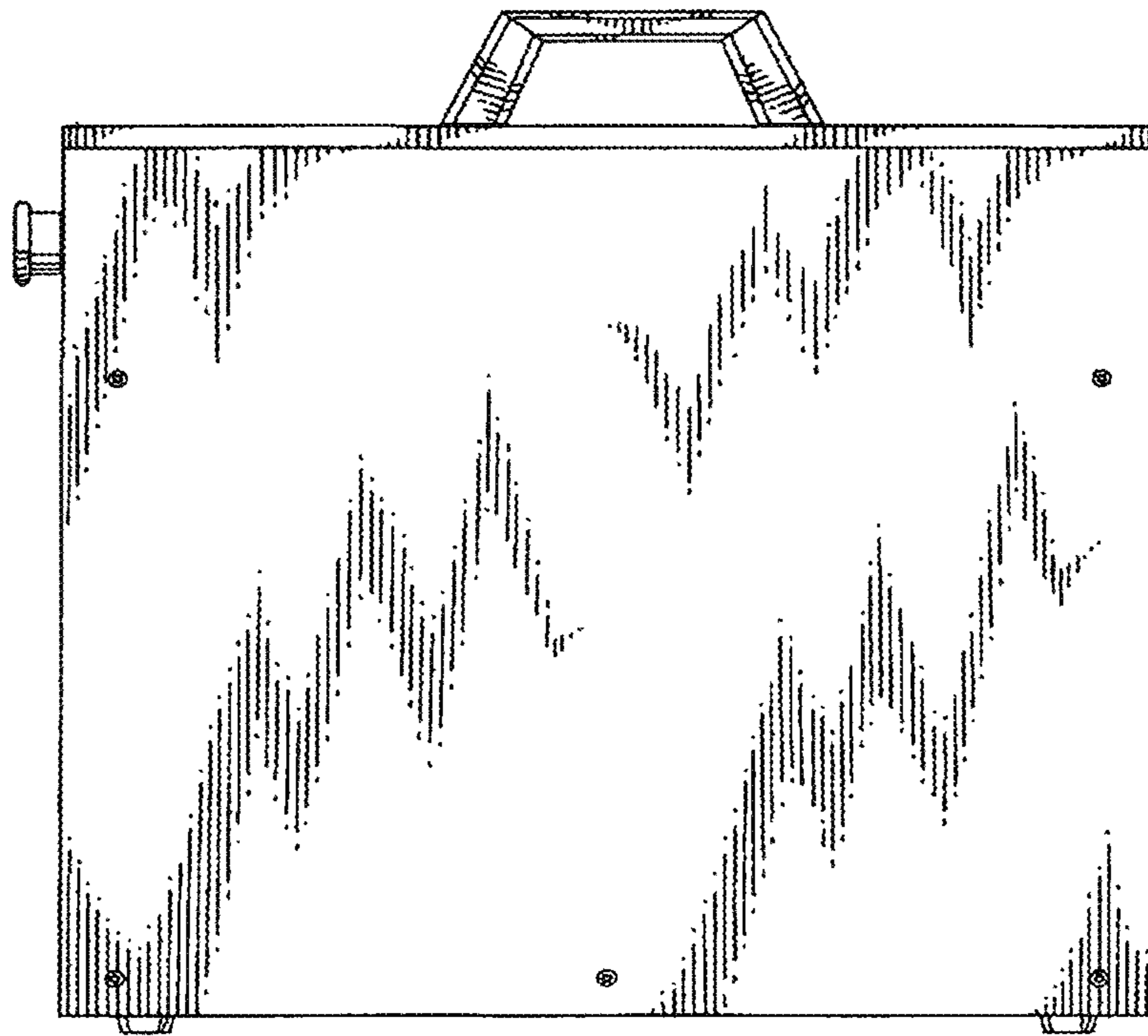


Fig.3

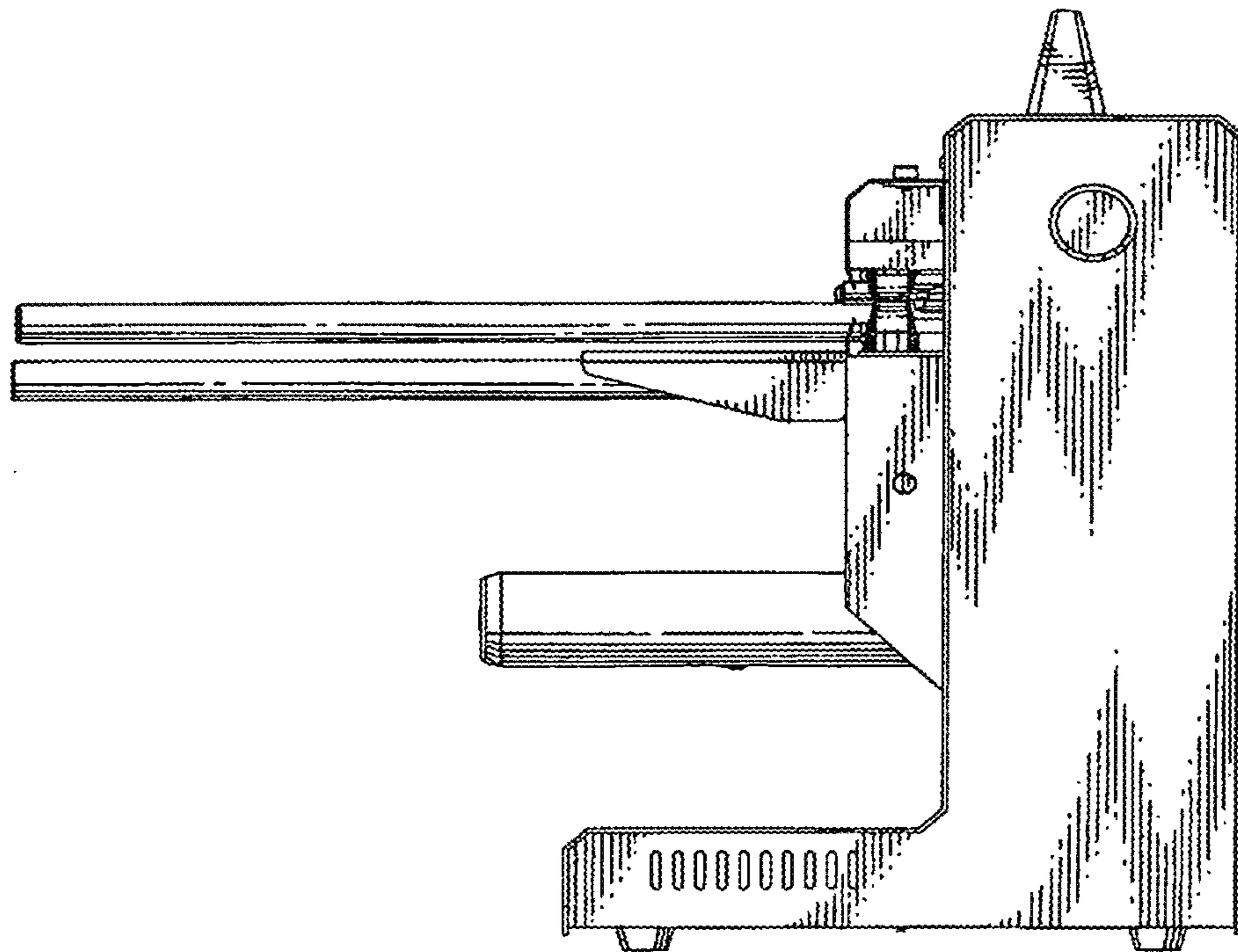


Fig.4

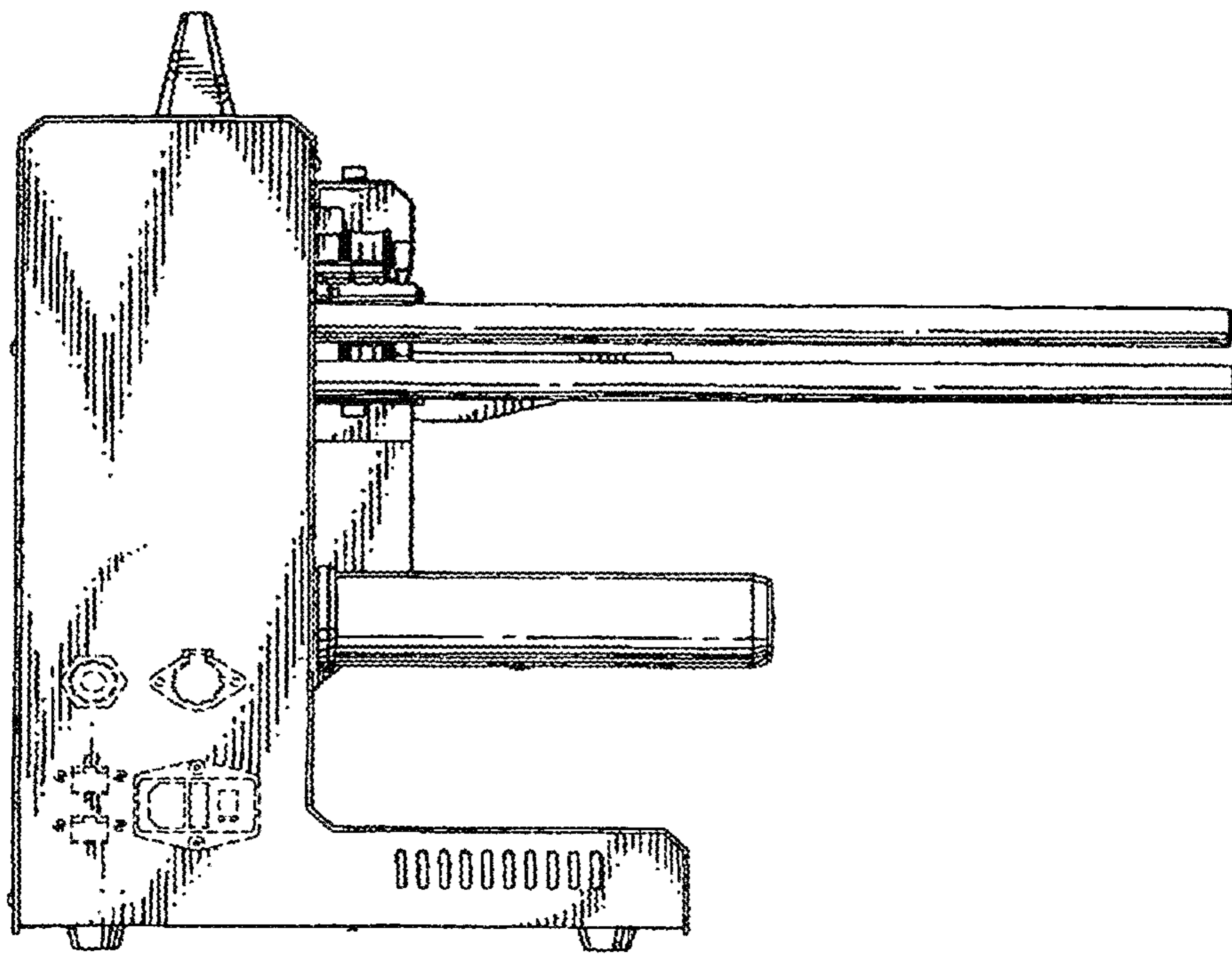


Fig.5

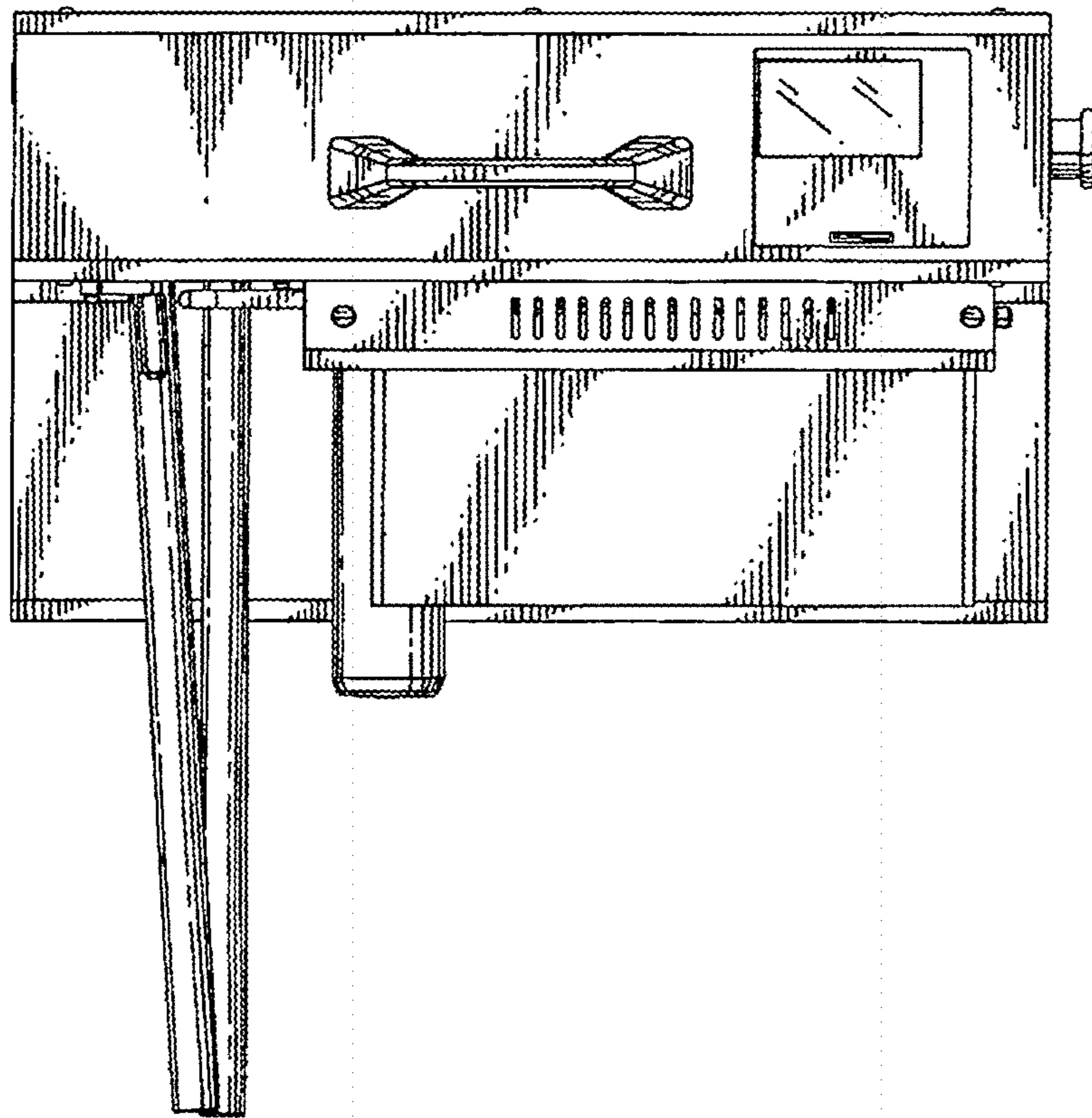


Fig.6



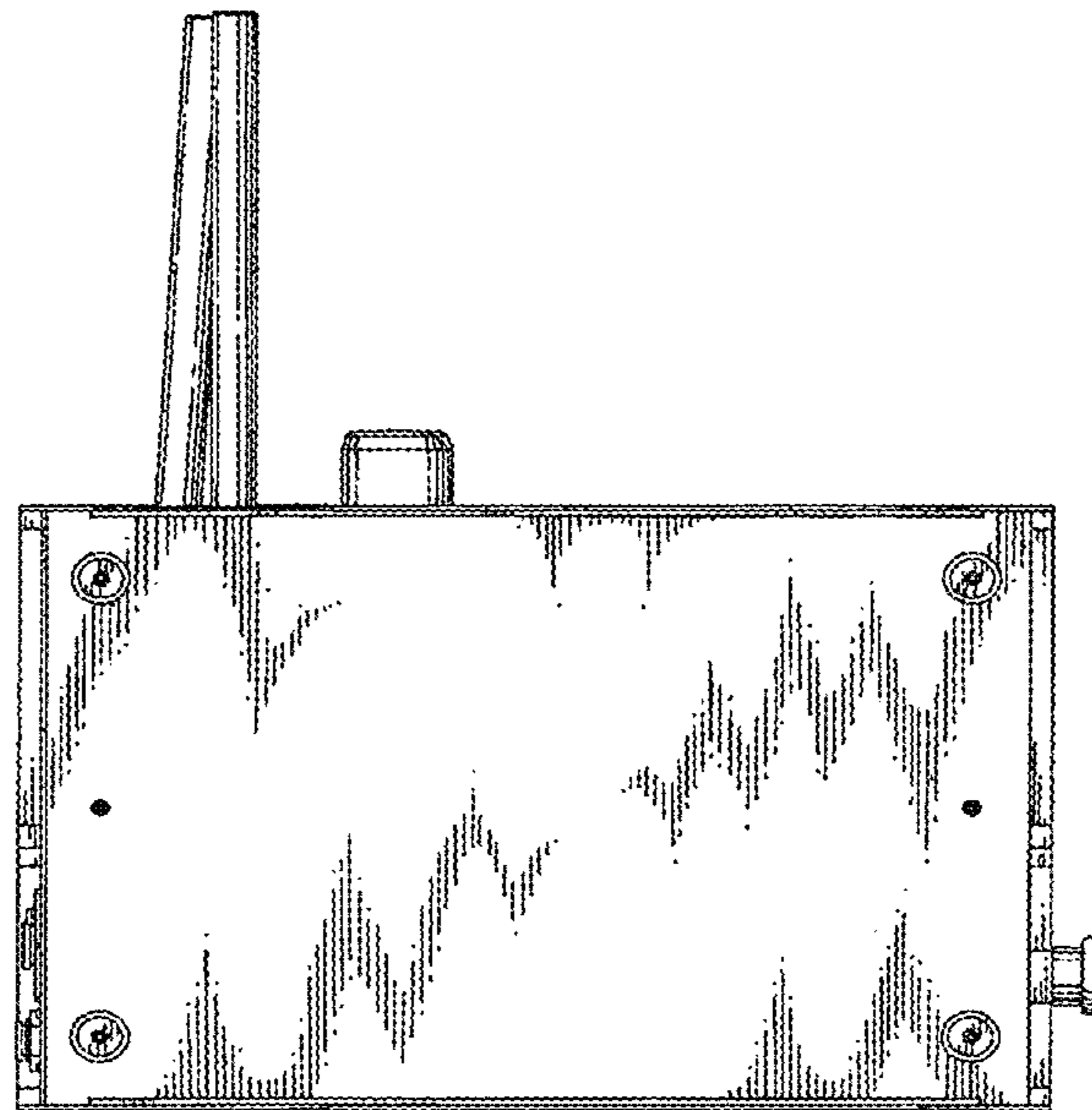


Fig.7