



US00D798351S

(12) **United States Design Patent** (10) **Patent No.:** **US D798,351 S**
Whited et al. (45) **Date of Patent:** **** Sep. 26, 2017**

(54) **TORCH HANDLE**
(71) Applicants: **Todd Whited**, Avon, OH (US); **Jeffrey White**, Avon Lake, OH (US); **Adam R Zimmerman**, Chagrin Falls, OH (US); **Matt Beckwith**, Mayfield Village, OH (US); **Ian Zeigler**, Mayfield Village, OH (US)

6,890,265 B2 * 5/2005 Enlow A63B 53/14
473/201
D660,385 S * 5/2012 Gill D21/756
D683,773 S * 6/2013 Boyer D15/144
D696,923 S * 1/2014 Ichikawa D8/303
D752,403 S * 3/2016 Kindig D15/144
2007/0082750 A1 * 4/2007 Rose A63B 53/14
473/300

(Continued)

(72) Inventors: **Todd Whited**, Avon, OH (US); **Jeffrey White**, Avon Lake, OH (US); **Adam R Zimmerman**, Chagrin Falls, OH (US); **Matt Beckwith**, Mayfield Village, OH (US); **Ian Zeigler**, Mayfield Village, OH (US)

OTHER PUBLICATIONS

Lincoln Electric, Inferno Propane Torch, www.homedepot.com, May 1, 2003.

Primary Examiner — Phillip S Hyder

(73) Assignee: **MAGNA INDUSTRIES, INC.**,
Cleveland, OH (US)

(57) **CLAIM**

The ornamental design for a torch handle, as shown and described.

(**) Term: **15 Years**

DESCRIPTION

(21) Appl. No.: **29/570,849**

FIG. 1 is a top, front and left side perspective view of a torch handle showing my new design within the environment of a torch device;

(22) Filed: **Jul. 12, 2016**

FIG. 2 is an enlarged top, front and left side perspective view thereof;

(51) **LOC (10) Cl.** **15-09**

(52) **U.S. Cl.**
USPC **D15/144**; D8/107

FIG. 3 is a top, rear and left side perspective view thereof;

(58) **Field of Classification Search**

USPC D15/144; D8/30, 107, 303, 300, 29.1;
D7/395; D24/133; D32/51, 52;
D21/756

FIG. 4 is a left side elevation view thereof;

CPC ... B23K 5/00; B23K 7/00; B23K 9/32; B23K
9/28; B23K 9/00

FIG. 5 is a right side elevation view thereof;

See application file for complete search history.

FIG. 6 is a top plan view thereof;

FIG. 7 is a bottom plan view thereof;

FIG. 8 is a front elevation view thereof;

FIG. 9 is a rear elevation view thereof; and,

FIG. 10 is a cross section view of the torch handle taken along line 10-10 of FIG. 7.

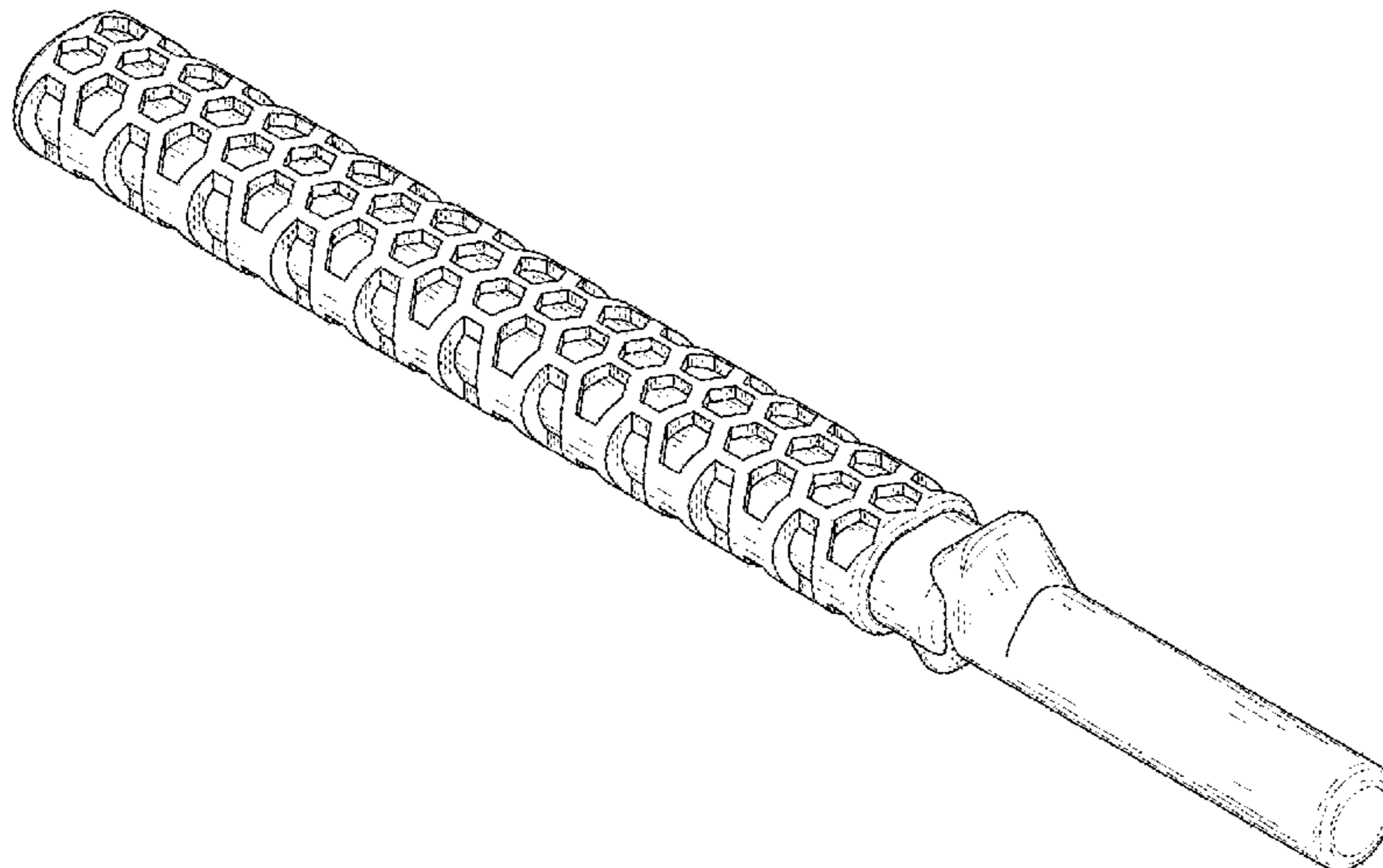
The broken lines portions of the torch in FIG. 1 are provided for purposes of environment and form no part of the claimed design. The broken lines in FIGS. 2 through 10 depict portions of the torch handle that form no part of the claimed design.

(56) **References Cited**

U.S. PATENT DOCUMENTS

D334,224 S * 3/1993 Downey D21/756
D338,142 S * 8/1993 Sarkissian D8/30
D351,330 S * 10/1994 Ming-Chang D8/303
D352,441 S * 11/1994 Oury D8/303

1 Claim, 4 Drawing Sheets



(56)

References Cited

U.S. PATENT DOCUMENTS

2012/0137472 A1* 6/2012 Gill B25G 1/102
16/421
2016/0158594 A1* 6/2016 Penney A63B 21/4035
482/139

* cited by examiner

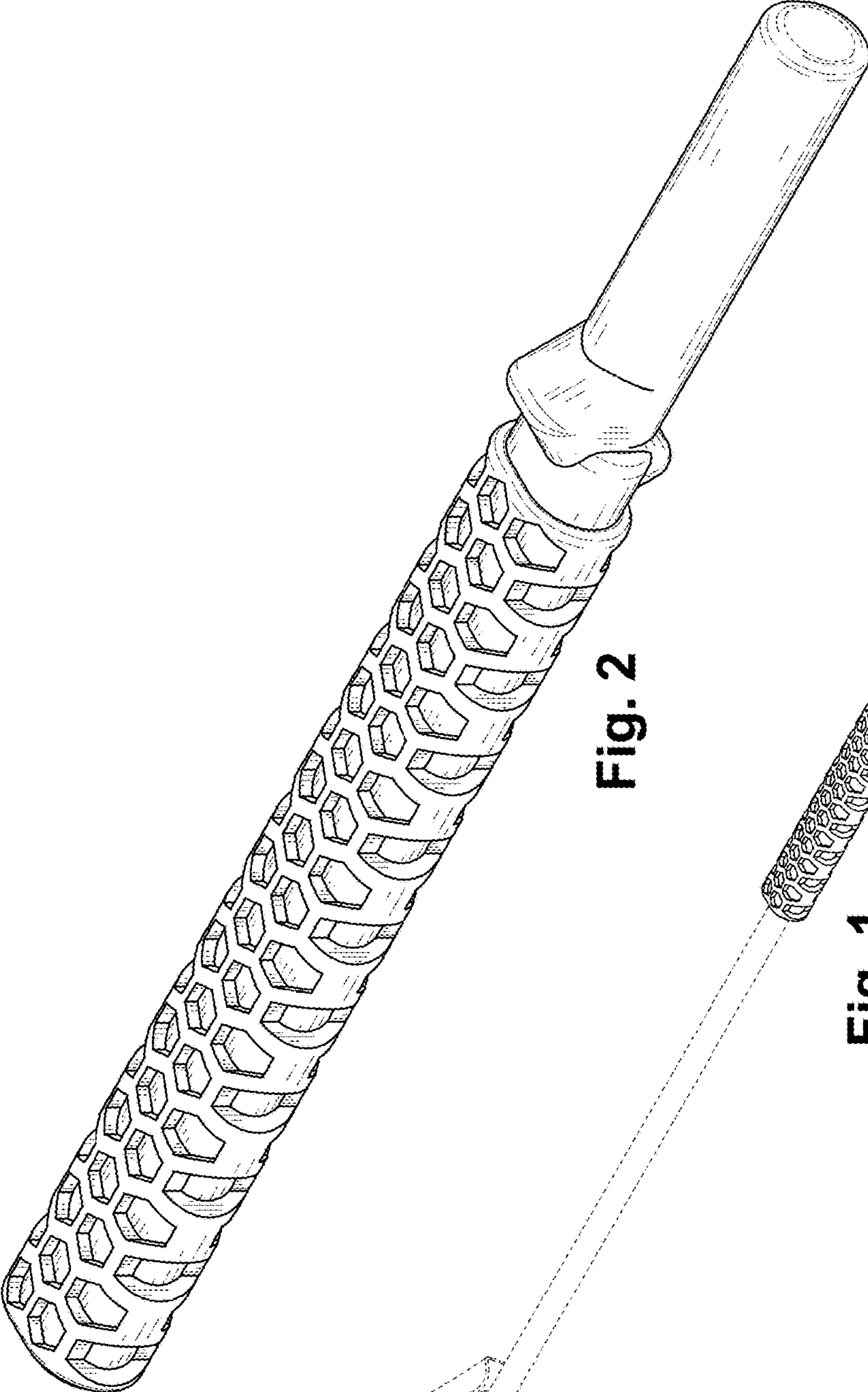


Fig. 2

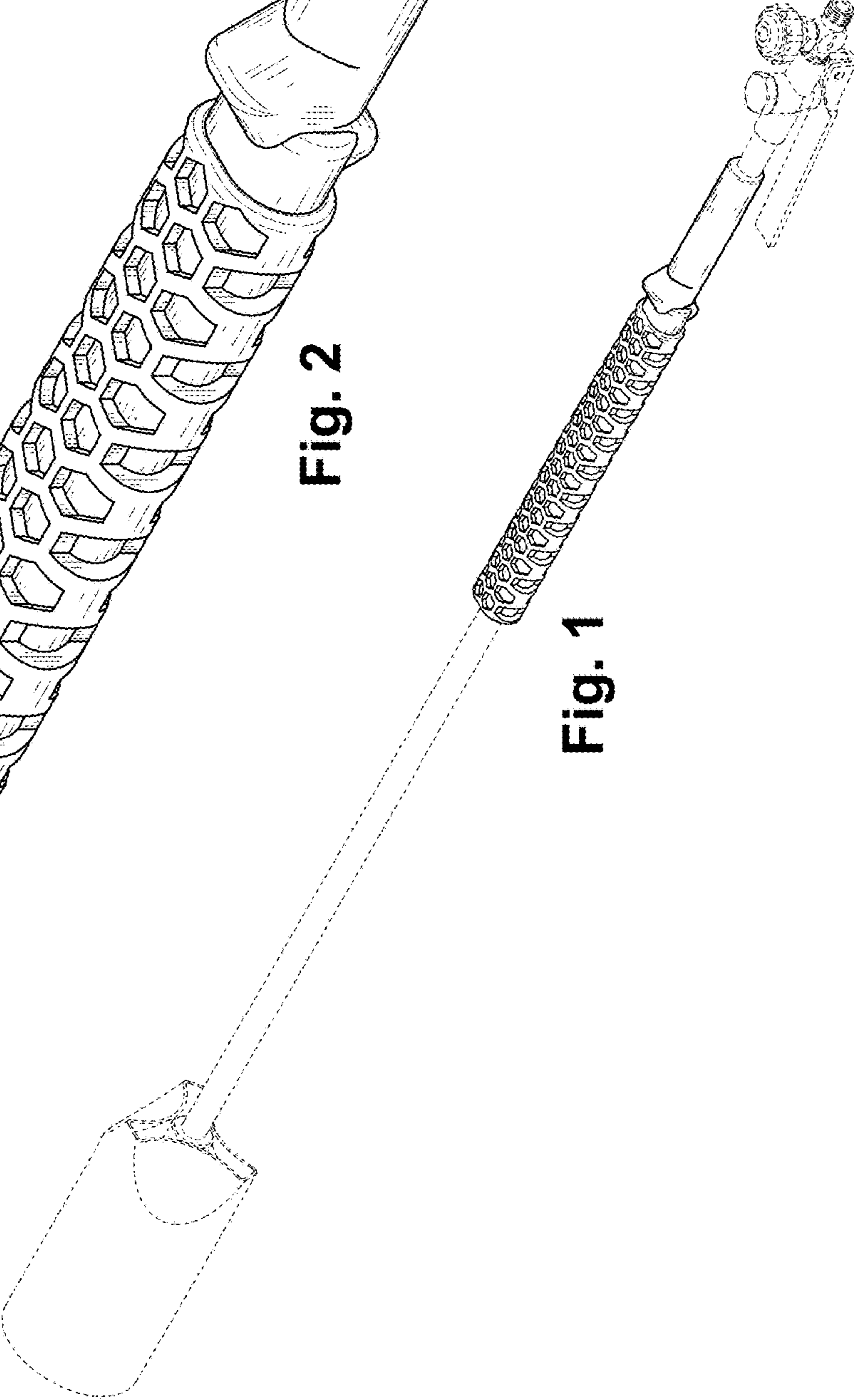


Fig. 1

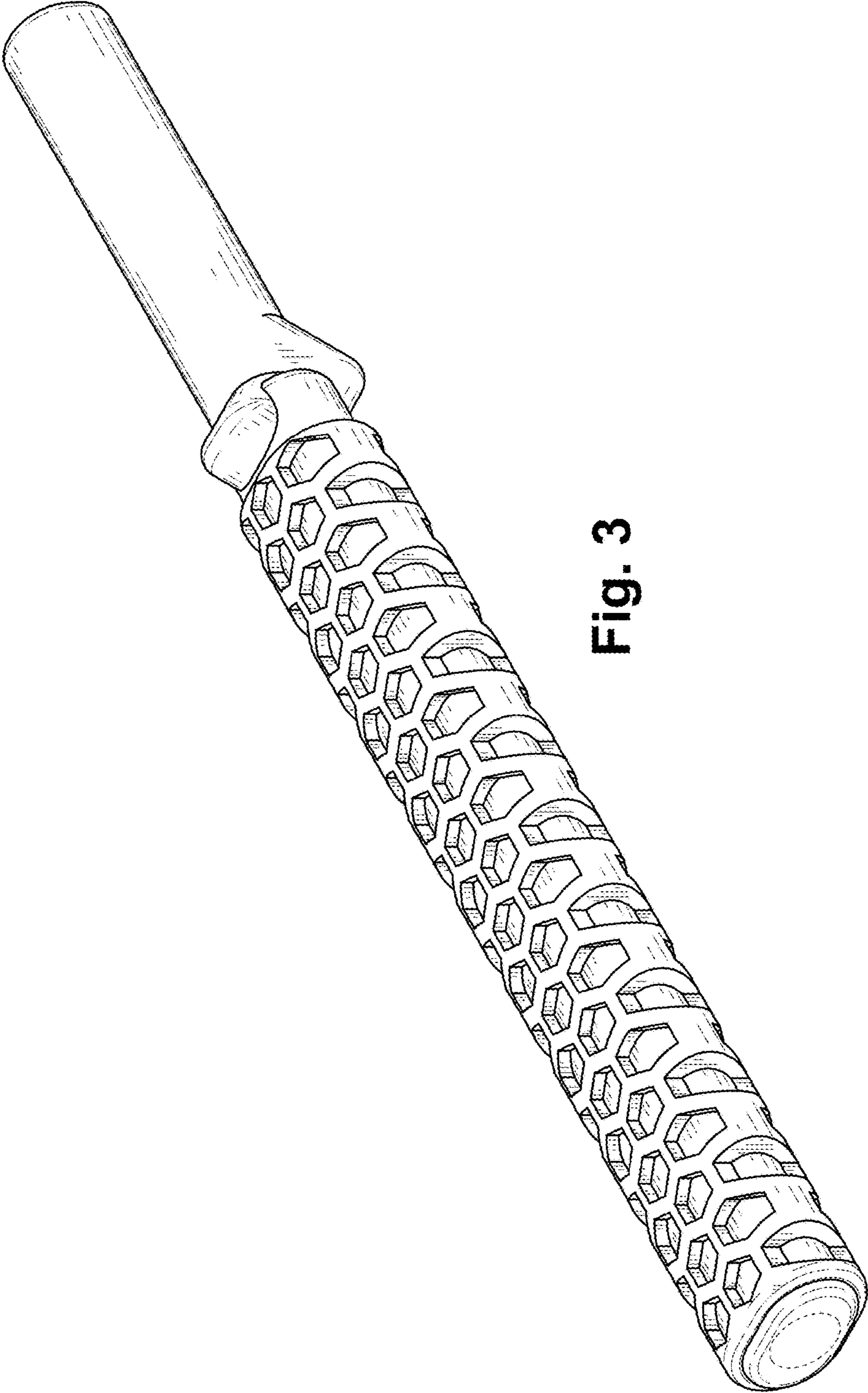


Fig. 3

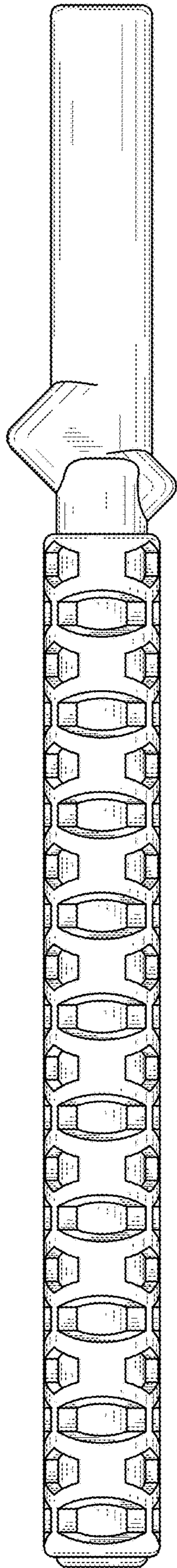


Fig. 4

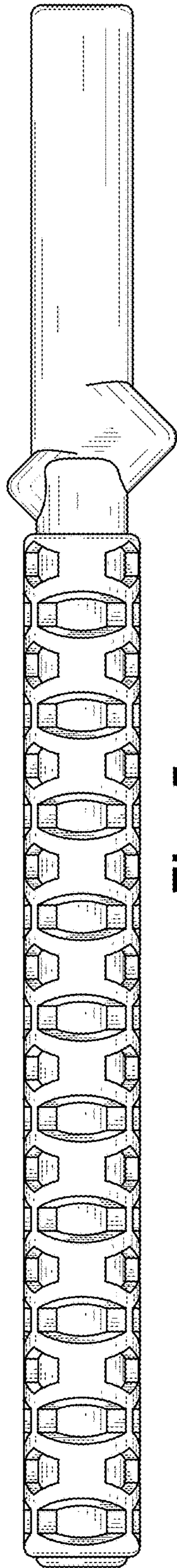


Fig. 5

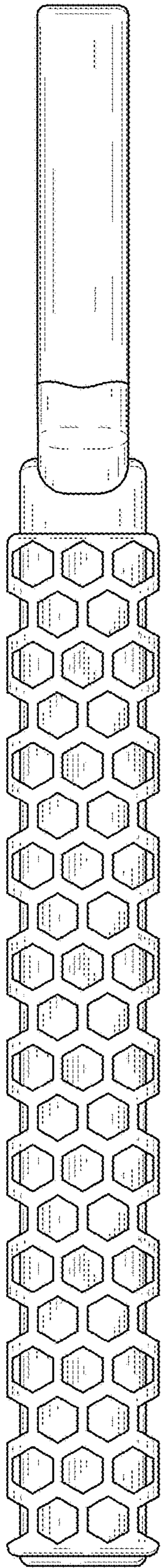


Fig. 6

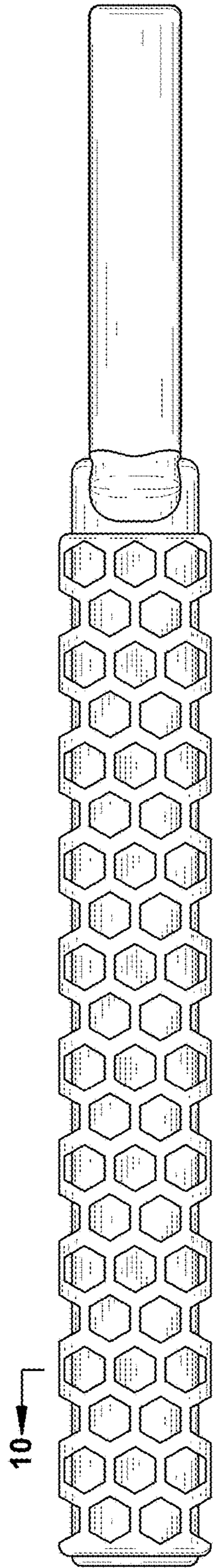


Fig. 7

10

10

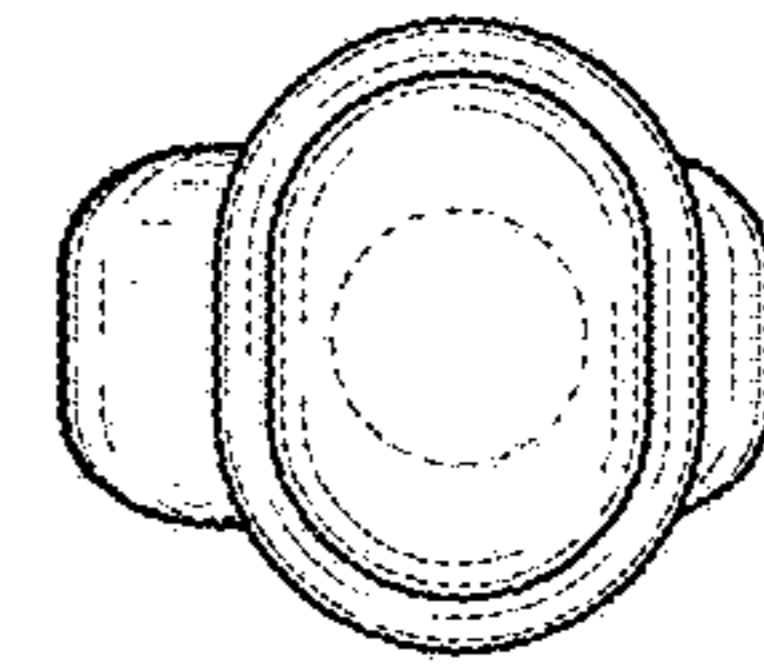


Fig. 9

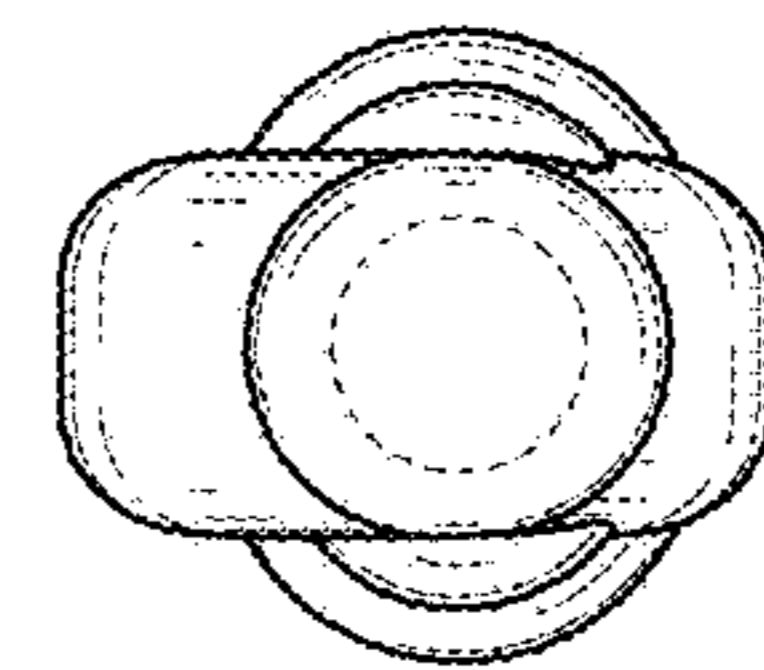


Fig. 8

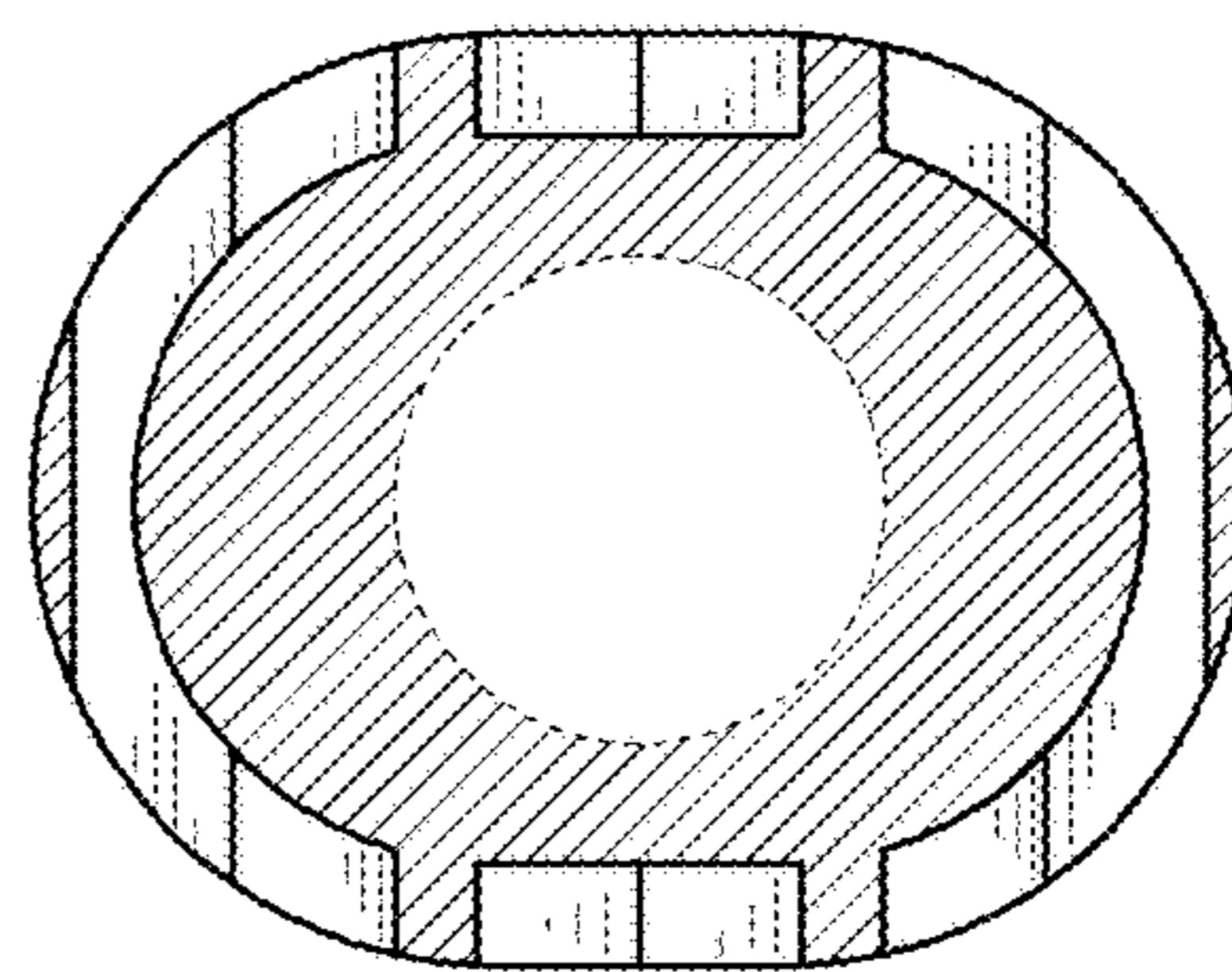


Fig. 10