



US00D798349S

(12) **United States Design Patent**
Li

(10) **Patent No.:** **US D798,349 S**

(45) **Date of Patent:** **** Sep. 26, 2017**

- (54) **LASER ENGRAVING MACHINE**
- (71) Applicant: **Shenzhen Triumph Industrial Co., LTD**, Shenzhen (CN)
- (72) Inventor: **Shaojie Li**, Shenzhen (CN)
- (**) Term: **15 Years**
- (21) Appl. No.: **29/567,333**
- (22) Filed: **Jun. 8, 2016**
- (51) **LOC (10) Cl.** **15-09**
- (52) **U.S. Cl.**
USPC **D15/122**
- (58) **Field of Classification Search**
USPC D15/122, 135, 199; D18/50, 53, 54, 55, D18/57
CPC B65H 2511/214; B65H 2515/81; B65H 2220/01; B65H 2220/08; B65H 2220/11; B65H 1/04; B65H 2301/1321; B65H 2402/442; B65H 2402/443; B65H 2405/111; B65H 2405/115; B65H 2405/3321; B65H 2407/21; B65H 2701/1914; B65H 2801/39; B65H 29/58; B65H 5/06; B65H 5/26
See application file for complete search history.

- D323,343 S * 1/1992 Richardson 409/202
- D350,982 S * 9/1994 Joye 409/134
- D518,497 S * 4/2006 Muraoka D15/122
- D622,760 S * 8/2010 Kimura D18/50
- D715,853 S * 10/2014 Kim D18/50
- D730,978 S * 6/2015 Kinoshita D18/50
- D757,828 S * 5/2016 Lange D15/122

* cited by examiner

Primary Examiner — Ian Simmons

Assistant Examiner — Khawaja Anwar

(74) *Attorney, Agent, or Firm* — Prakash Nama; Global IP Services, PLLC

(57) **CLAIM**

The ornamental design for a laser engraving machine, as shown and described.

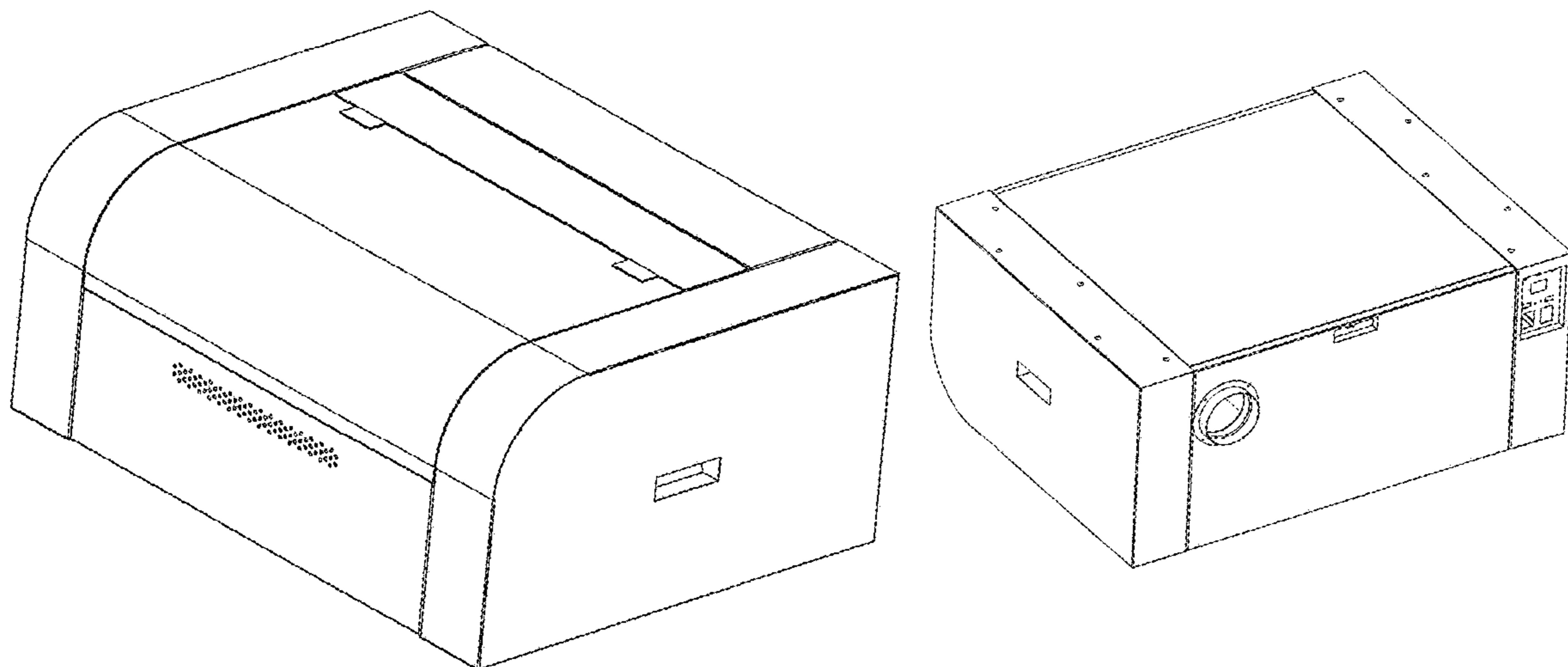
DESCRIPTION

FIG. 1 is a front elevational view of a laser engraving machine showing my new design;
 FIG. 2 is a rear elevational view thereof;
 FIG. 3 is a left side view thereof;
 FIG. 4 is a right side view thereof;
 FIG. 5 is a top plan view thereof;
 FIG. 6 is a bottom plan view thereof;
 FIG. 7 is a perspective view thereof; and,
 FIG. 8 is another perspective view thereof.
 The broken lines in the drawings show unclaimed portions of the laser engraving machine only and form no part of the claimed design.

(56) **References Cited**
U.S. PATENT DOCUMENTS

- D280,642 S * 9/1985 Neiman D18/57
- D281,697 S * 12/1985 Banner D14/313

1 Claim, 6 Drawing Sheets



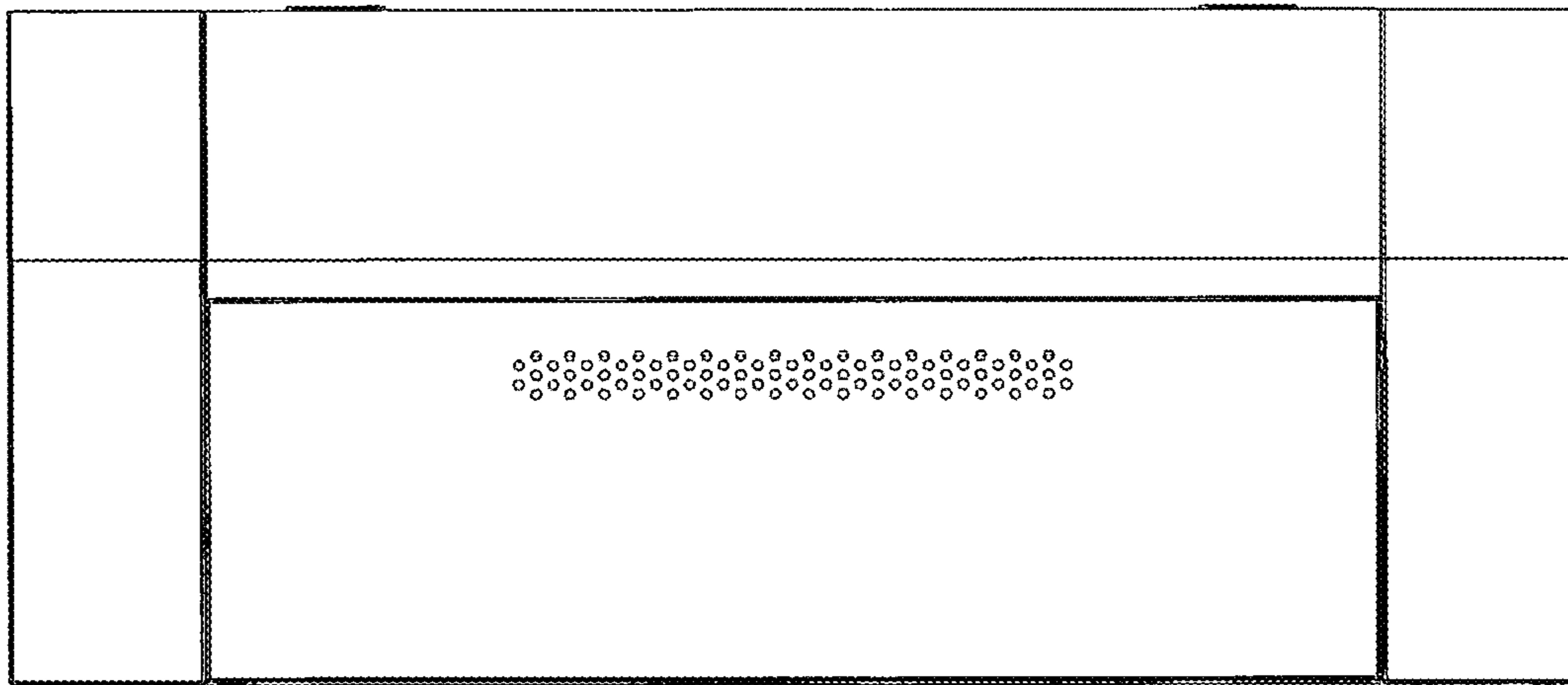


FIG. 1

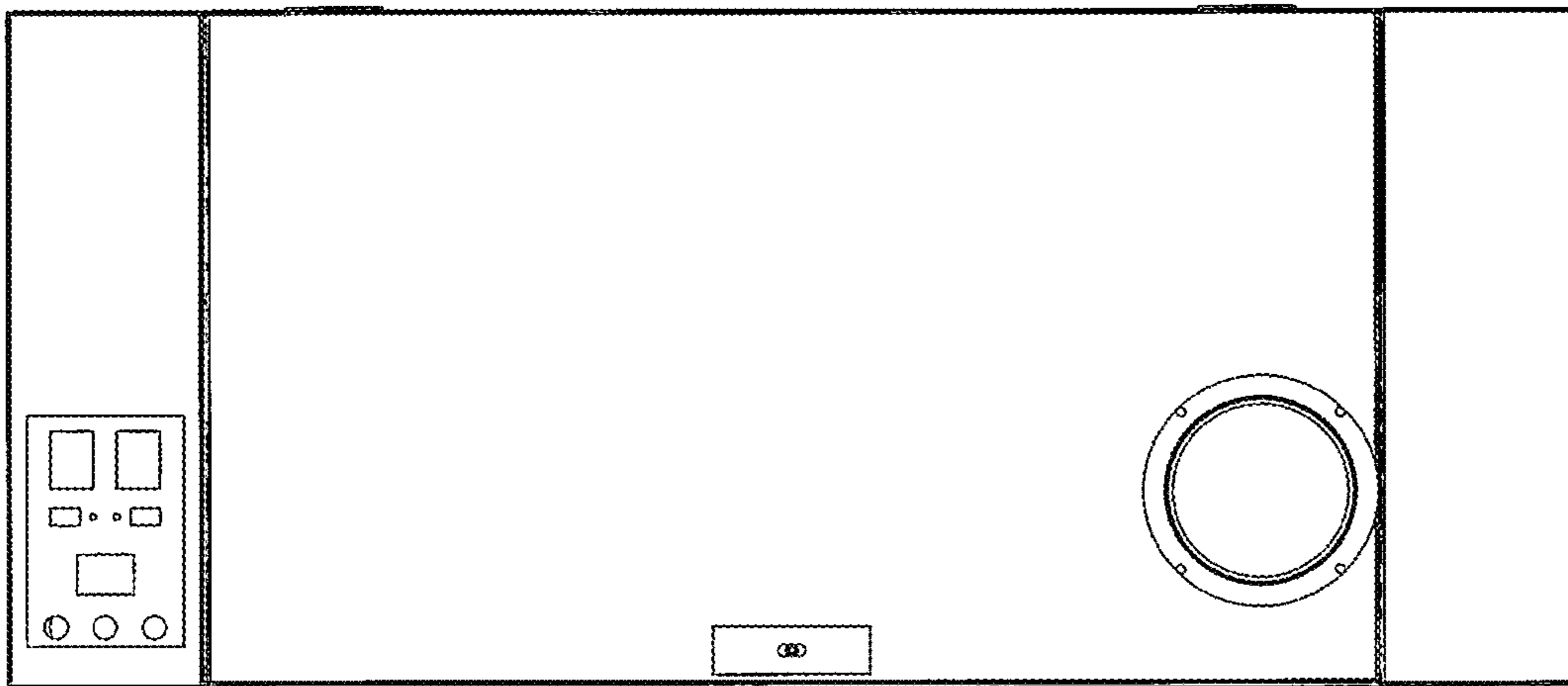


FIG. 2

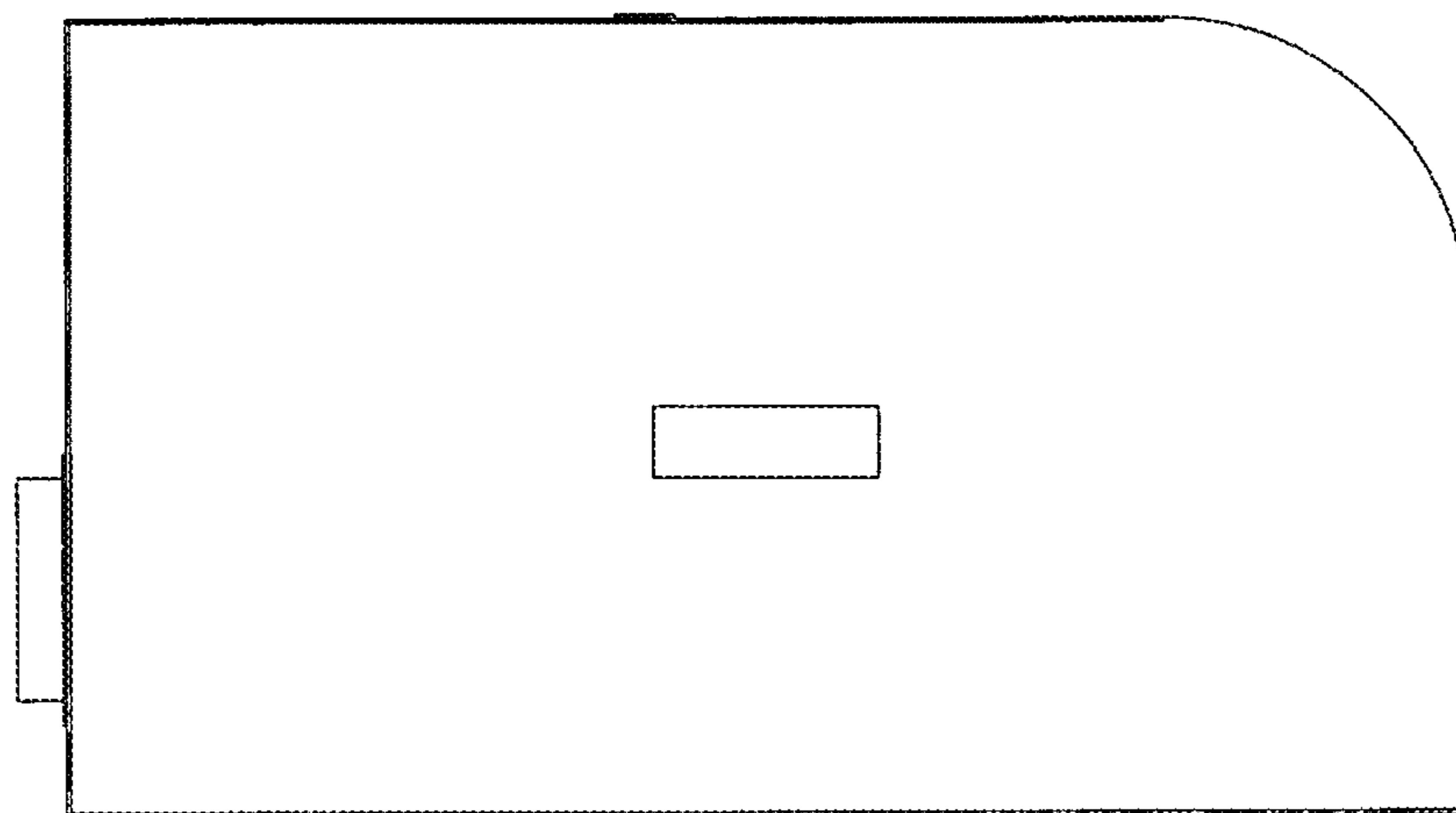


FIG. 3

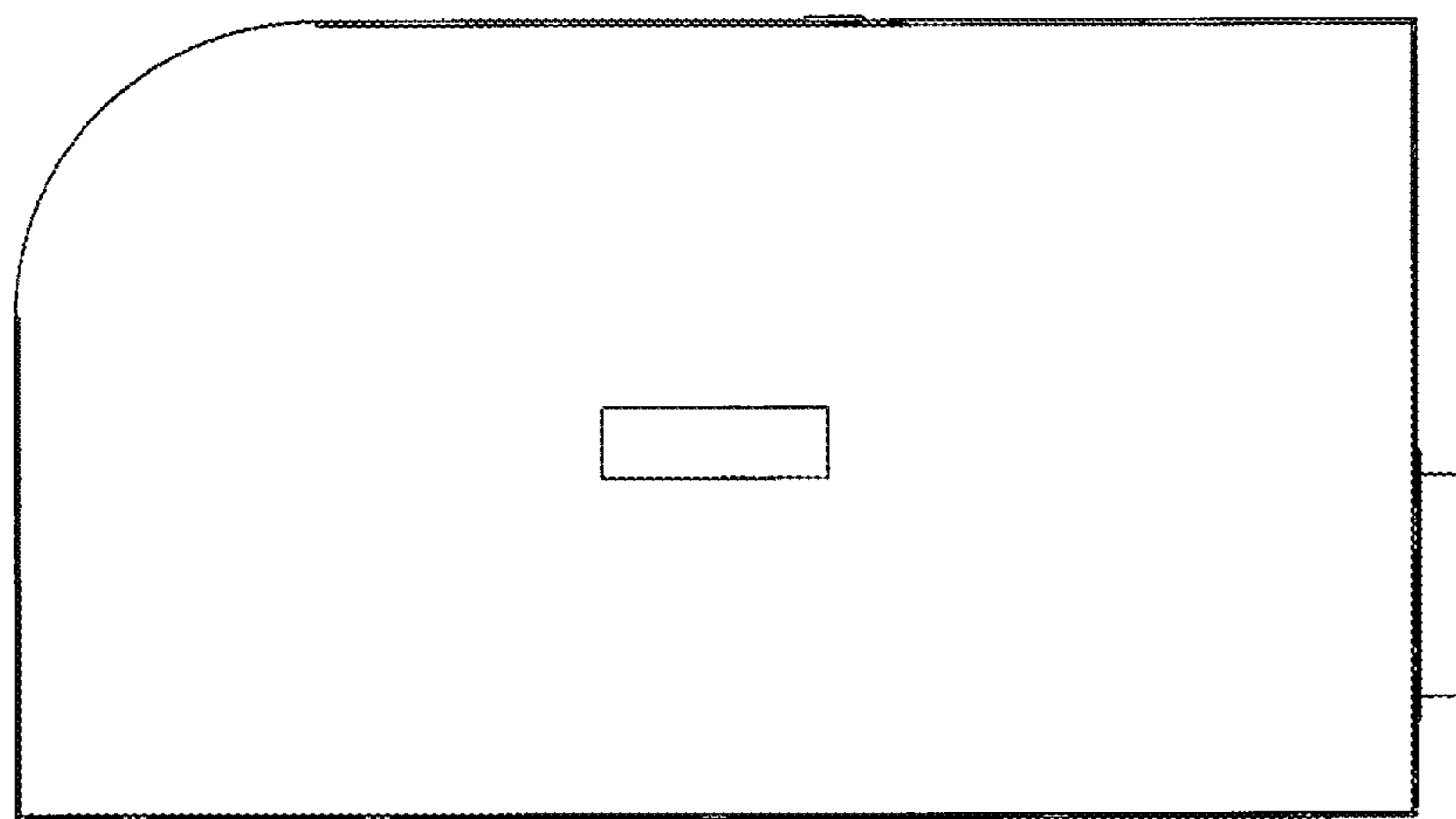


FIG. 4

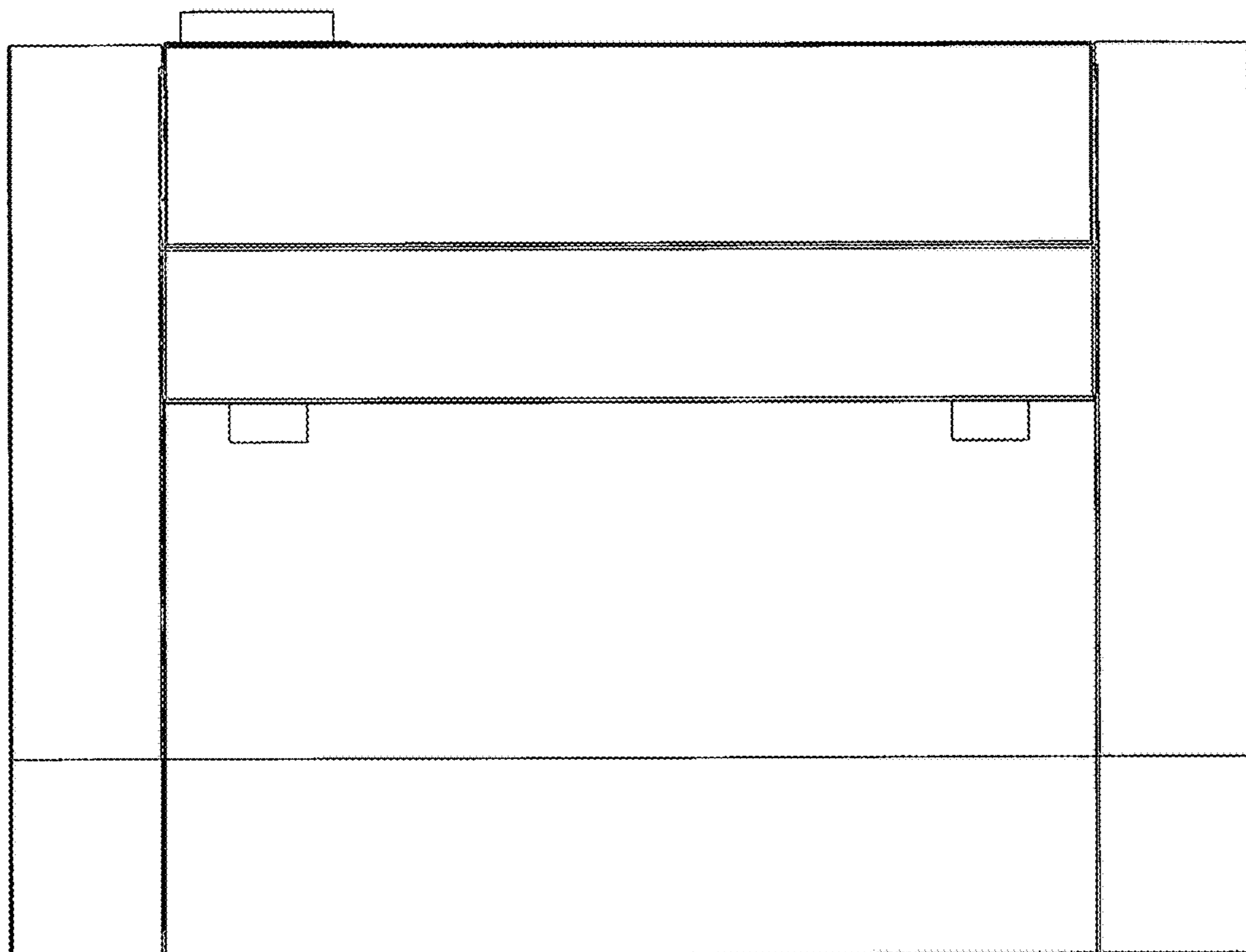


FIG. 5

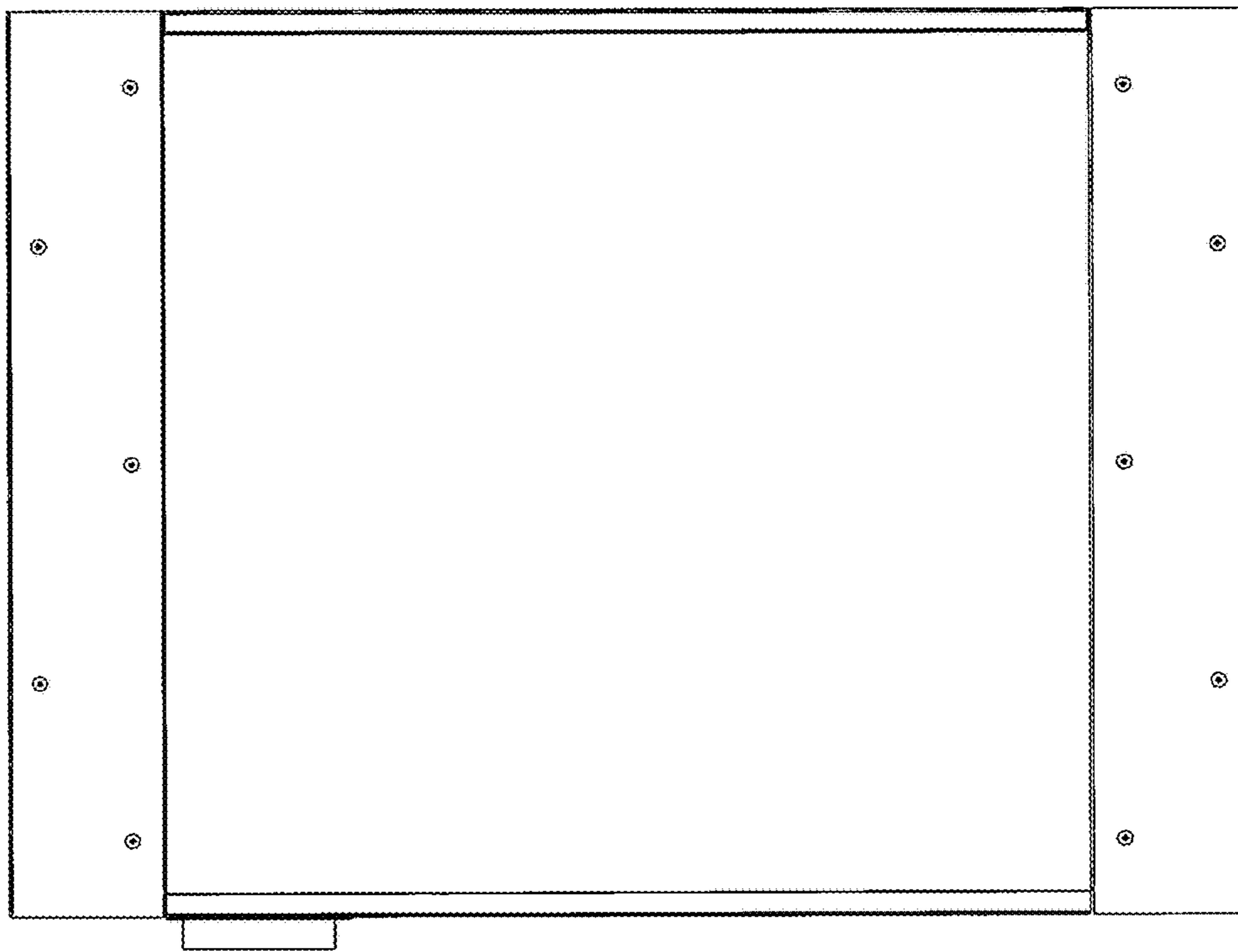


FIG. 6

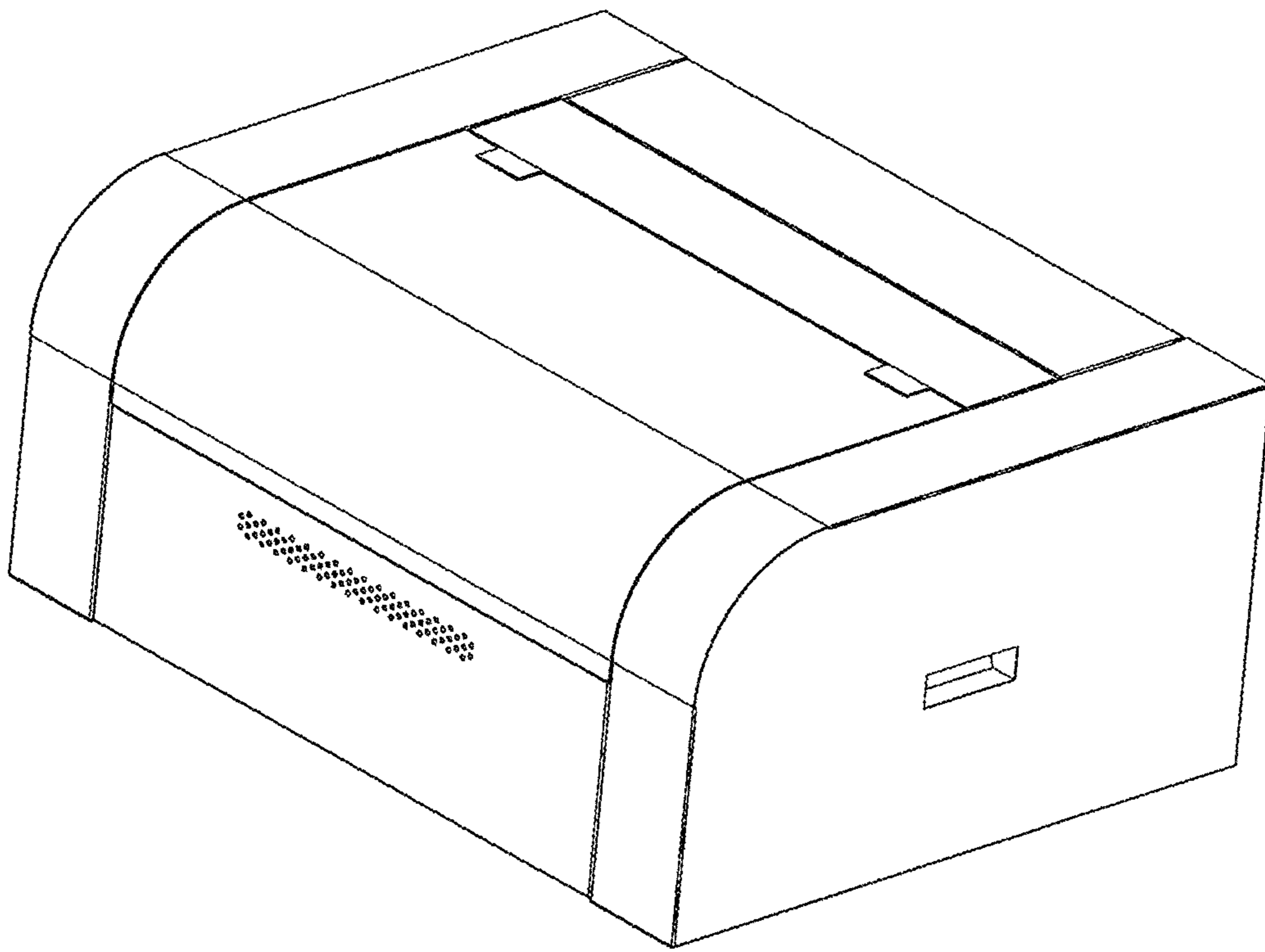


FIG. 7

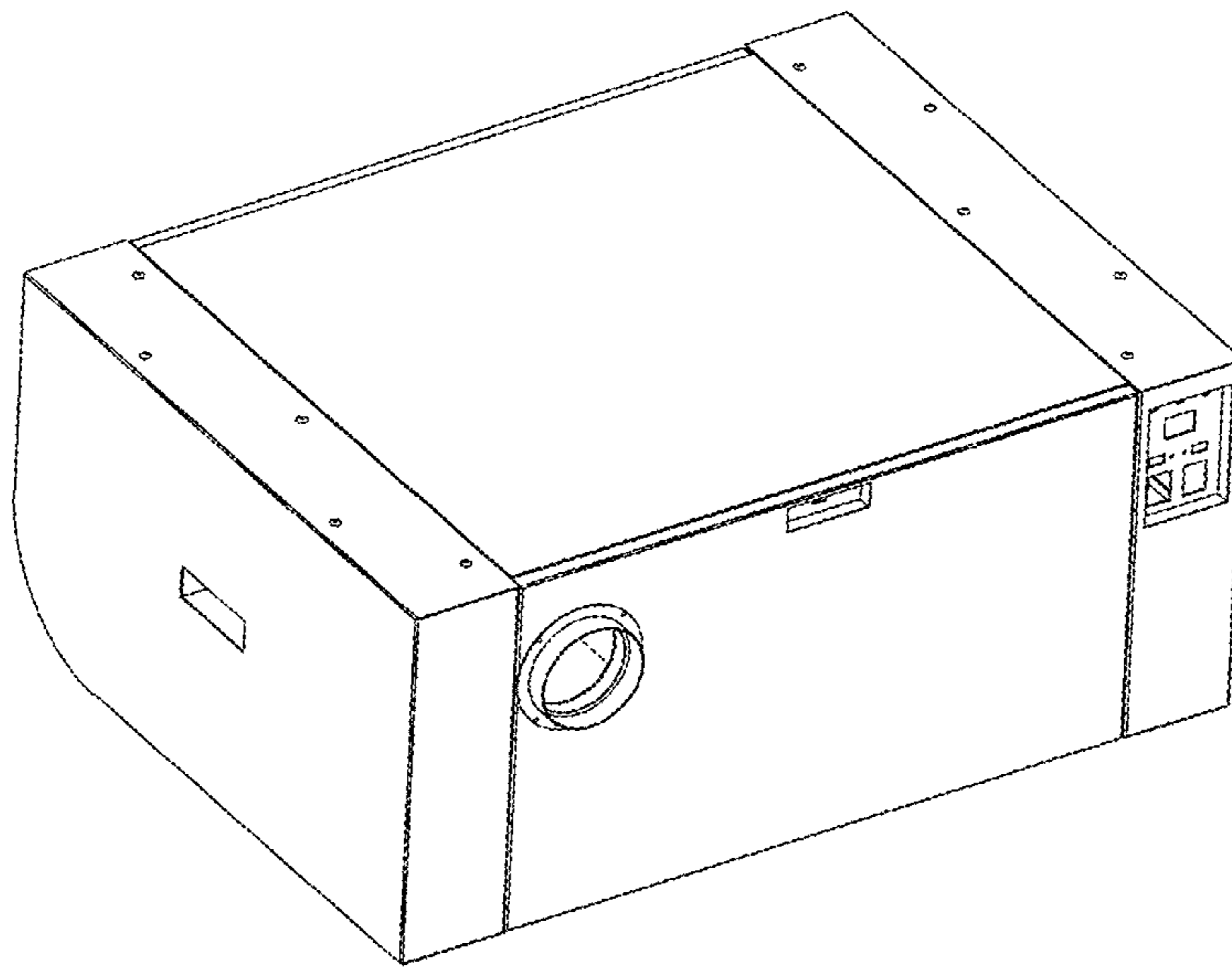


FIG. 8