



US00D798347S

(12) **United States Design Patent** (10) **Patent No.:** **US D798,347 S**
Yoon et al. (45) **Date of Patent:** **** Sep. 26, 2017**

(54) **REFRIGERATOR DOOR**

(56) **References Cited**

(71) Applicant: **Samsung Electronics Co., Ltd.**,
Suwon-si (KR)

(72) Inventors: **Byeong-Cheol Yoon**, Suwon-si (KR);
Daekyun Lee, Suwon-si (KR)

(73) Assignee: **Samsung Electronics Co., Ltd.**,
Suwon-si (KR)

U.S. PATENT DOCUMENTS

D730,958 S *	6/2015	Choi	D15/91
D738,941 S *	9/2015	Shin	D15/91
D760,820 S *	7/2016	Lee	D15/91
D760,823 S *	7/2016	Lee	D15/91
D761,336 S *	7/2016	Lee	D15/91
D768,738 S *	10/2016	Lee	D15/91
D768,739 S *	10/2016	Lee	D15/91
D769,948 S *	10/2016	Lee	D15/91
D783,691 S *	4/2017	Kim	D15/91

(**) Term: **15 Years**

* cited by examiner

(21) Appl. No.: **29/567,085**

Primary Examiner — Ian Simmons

(22) Filed: **Jun. 6, 2016**

Assistant Examiner — Khawaja Anwar

(51) **LOC (10) Cl.** **15-07**

(74) *Attorney, Agent, or Firm* — NSIP Law

(52) **U.S. Cl.**
USPC **D15/91**

(57) **CLAIM**

We claim the ornamental design for a refrigerator door, as shown and described.

(58) **Field of Classification Search**

DESCRIPTION

USPC D15/79–91
 CPC F25D 25/025; F25D 23/028; F25D 2323/024; F25D 23/00; F25D 23/02; F25D 2323/021; F25D 23/065; F25D 11/00; F25D 2201/14; F25D 23/021; F25D 23/025; F25D 23/04; F25D 27/00; F25D 23/062; F25D 23/067; F25D 2400/18; F25D 23/08; F25D 23/085; F25D 2500/02; F25D 25/00; F25D 25/005; F25D 25/022; F25D 25/024; F25D 17/047; F25D 2317/041; F25D 2317/04131; F25D 2317/043; F25D 2317/0664; F25D 2321/147; F25D 2323/02; F25D 2323/023

FIG. 1 is the front perspective view of a refrigerator door showing our new design;
 FIG. 2 is the front view thereof;
 FIG. 3 is the rear view thereof;
 FIG. 4 is the left-side view thereof;
 FIG. 5 is the right-side view thereof;
 FIG. 6 is the top plan view thereof; and,
 FIG. 7 is the bottom plan view thereof.
 The broken lines depict portions of the refrigerator door that form no part of the claimed design. The dot-dash lines in the figures represent an unclaimed boundary line and form no part of the claimed design.

See application file for complete search history.

1 Claim, 6 Drawing Sheets

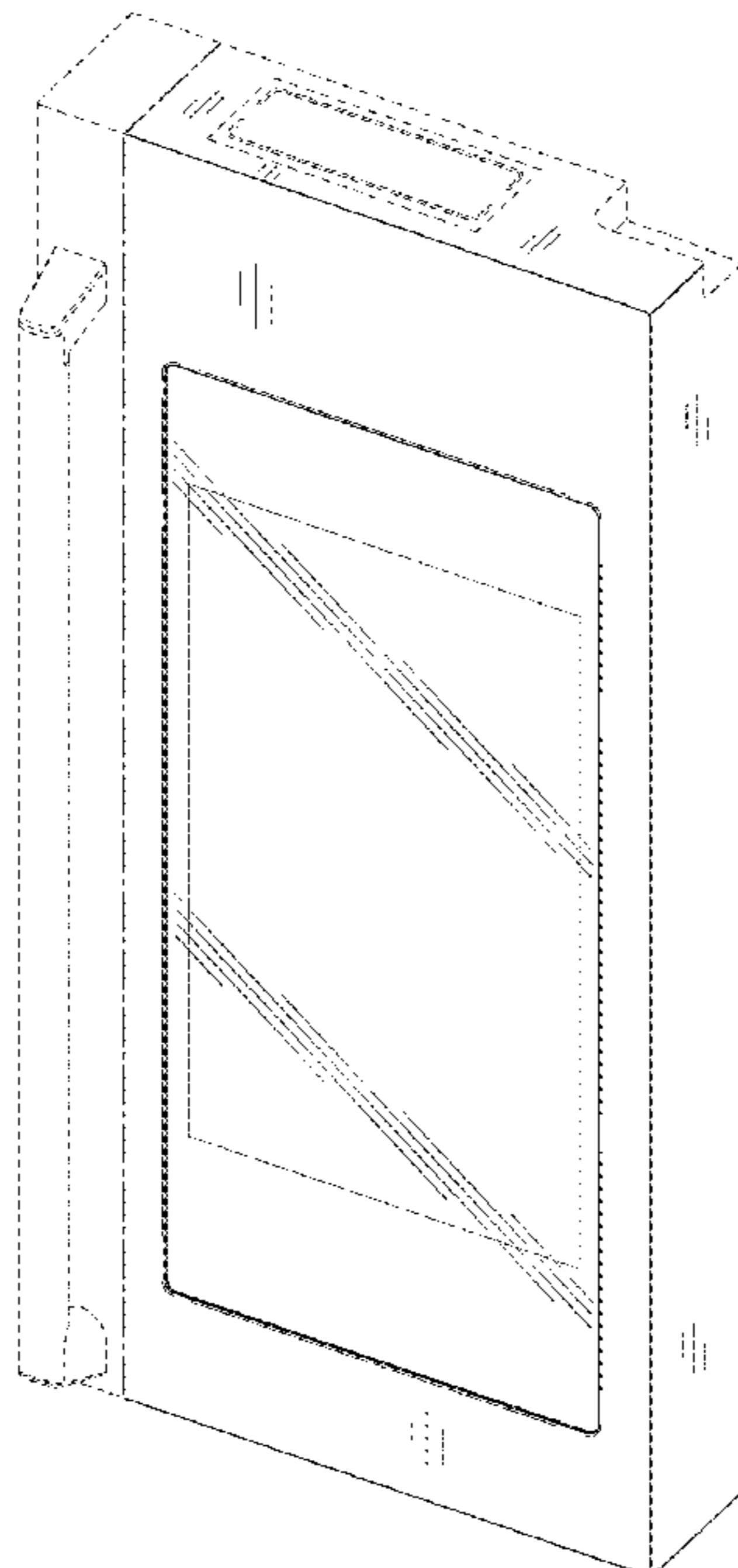


FIG. 1

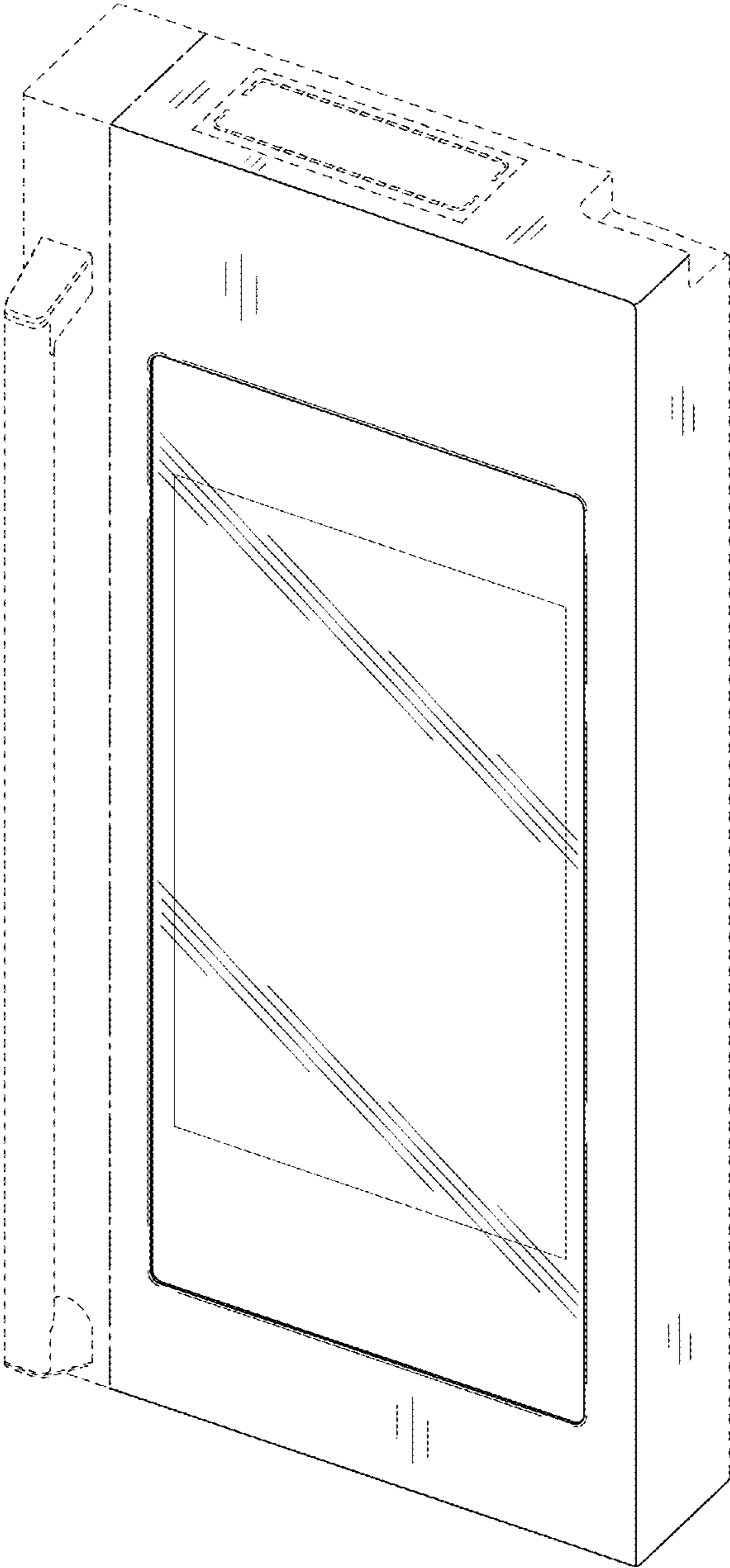


FIG. 2

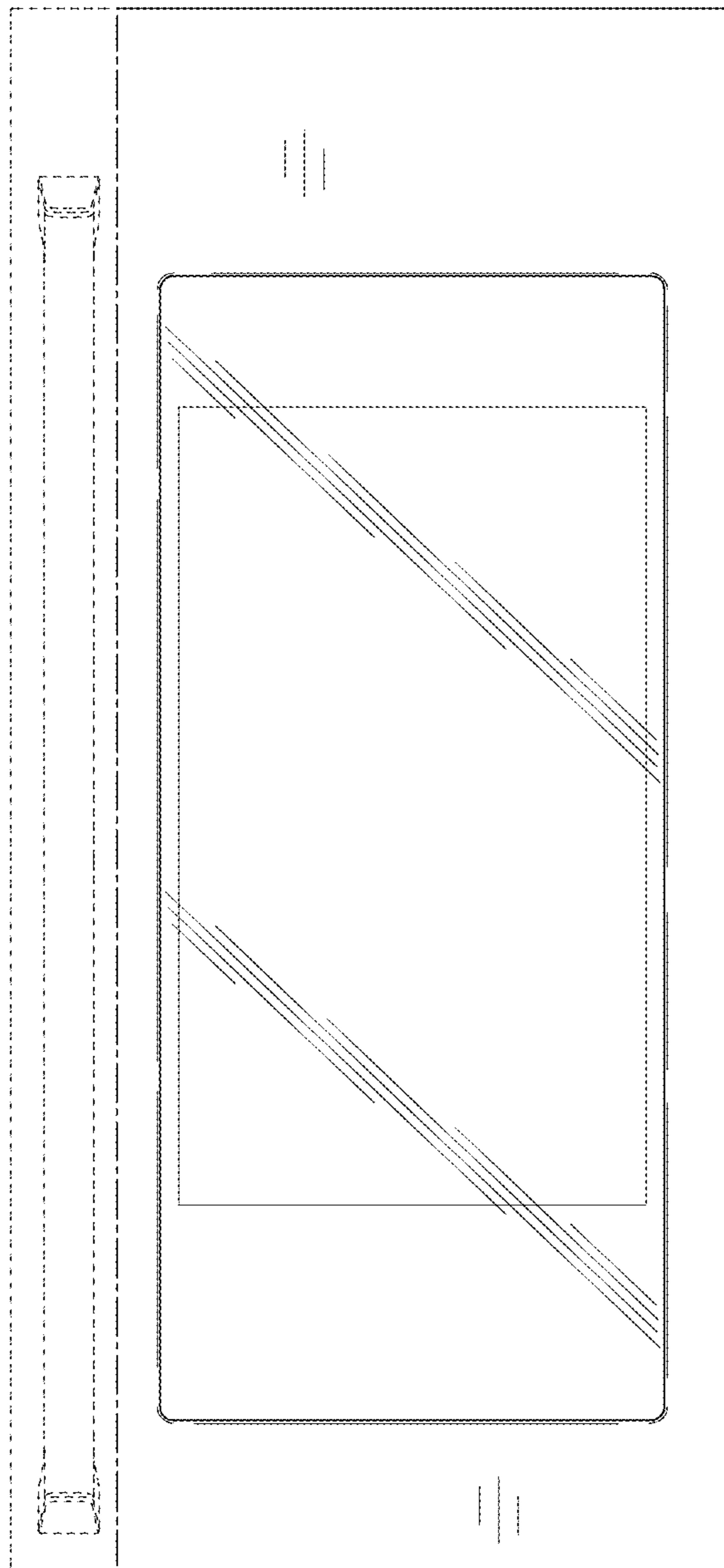


FIG. 3

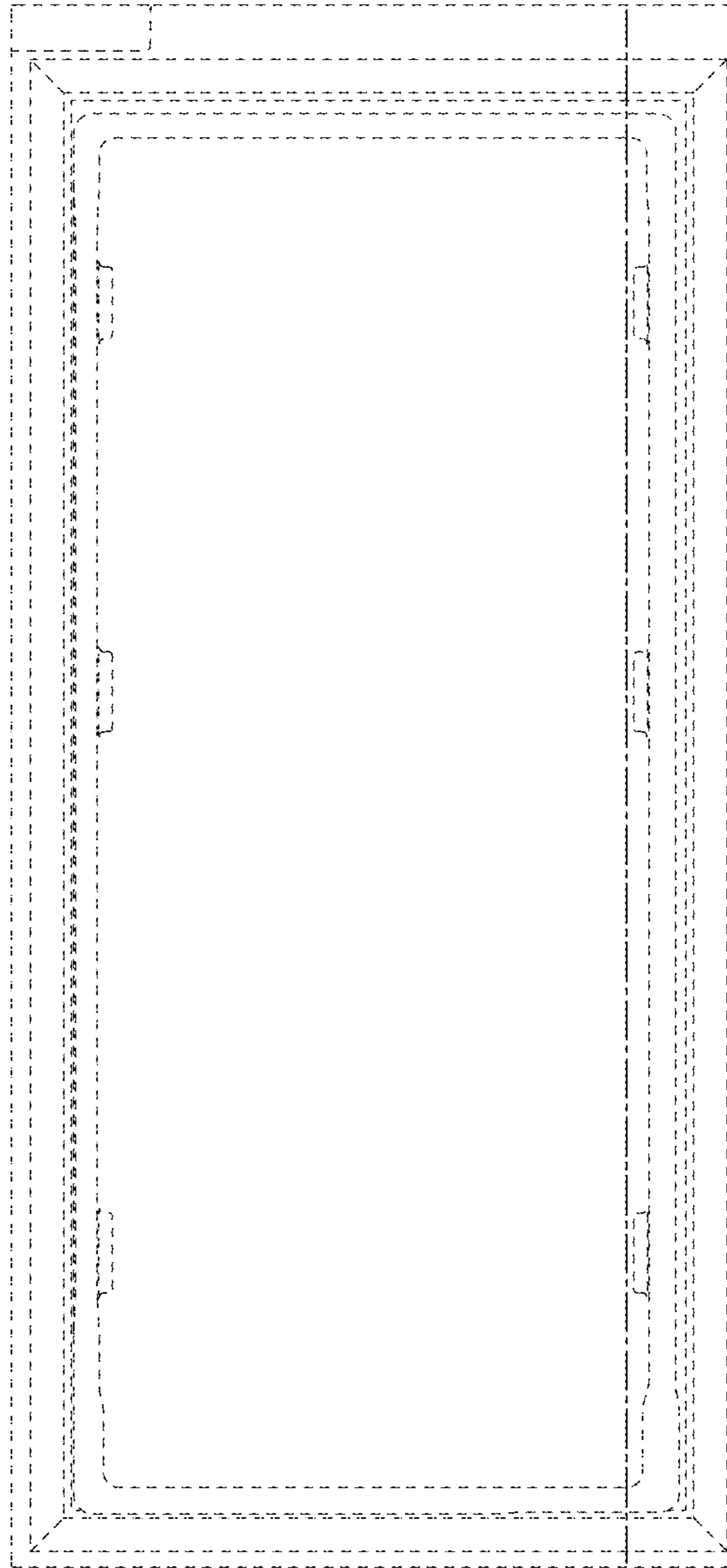


FIG. 4

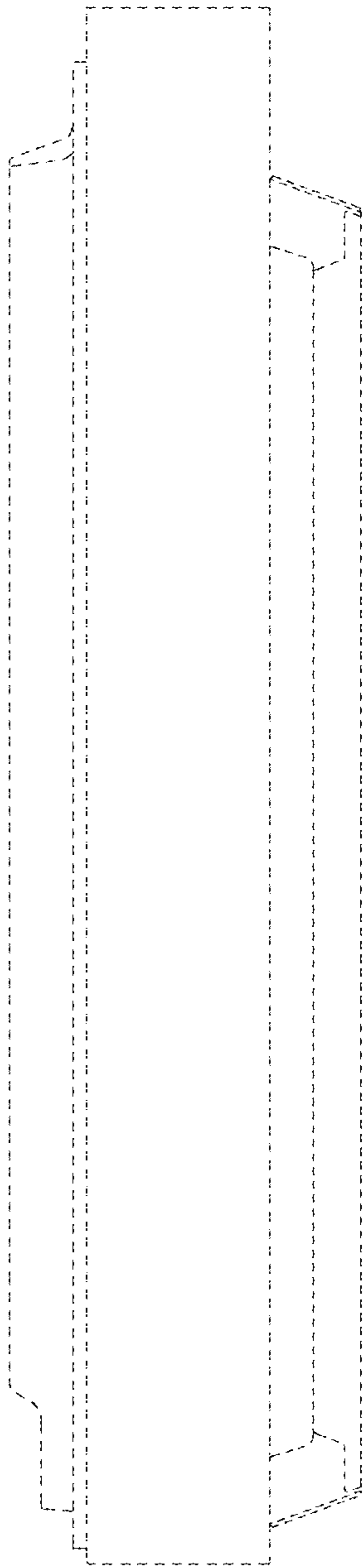


FIG. 5

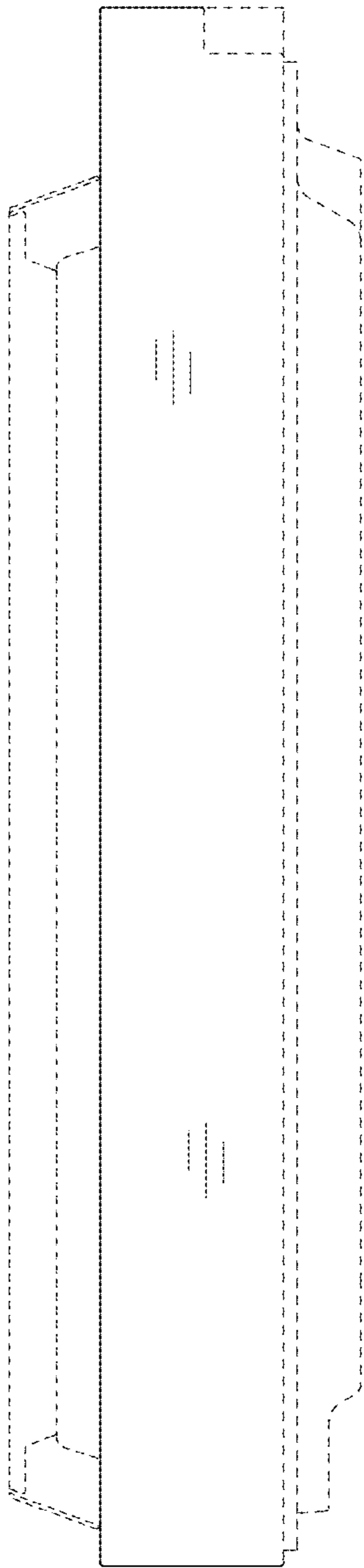


FIG. 6

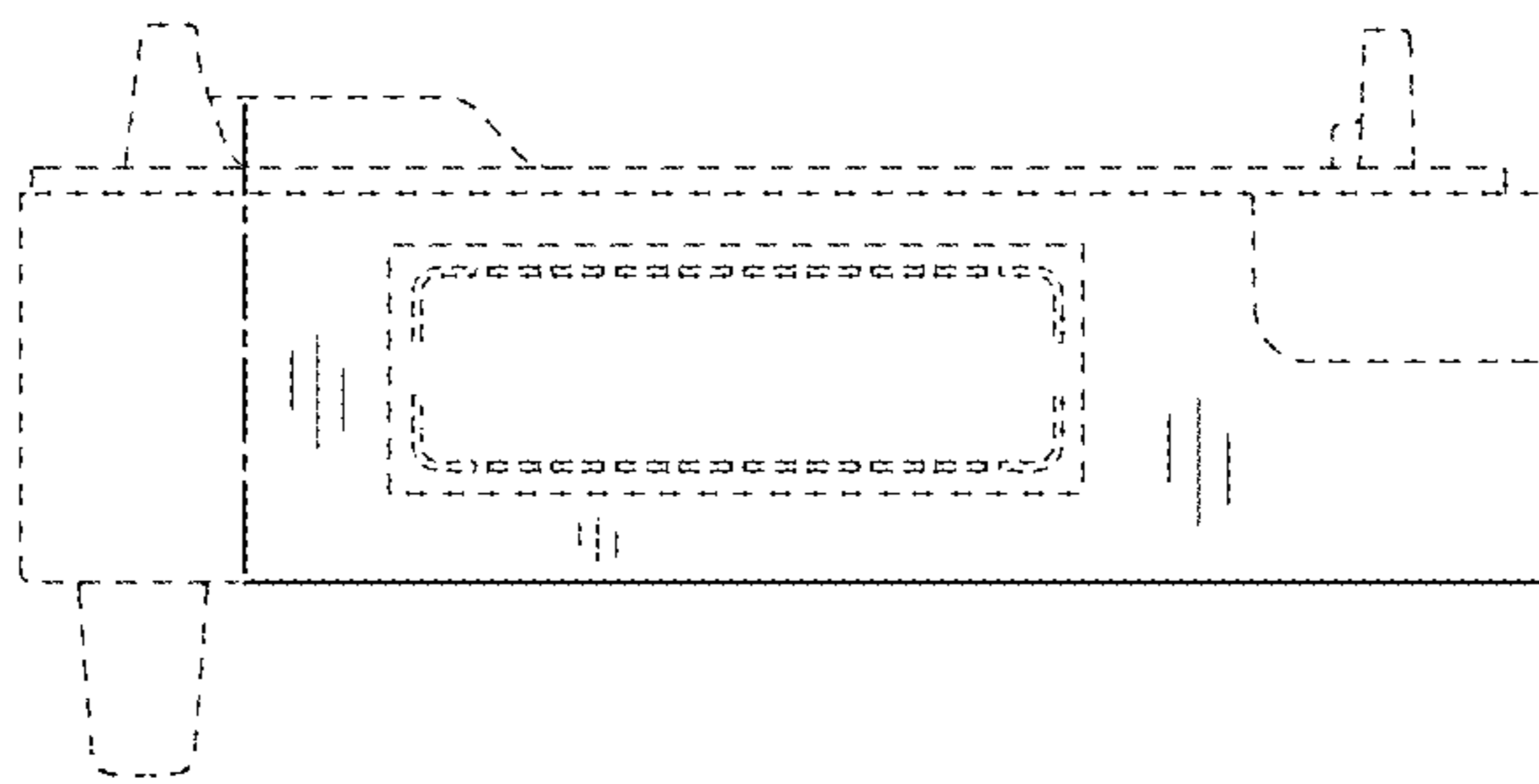


FIG. 7

