



US00D798346S

(12) **United States Design Patent**
Pearson et al.

(10) **Patent No.:** **US D798,346 S**

(45) **Date of Patent:** **** Sep. 26, 2017**

- (54) **ROTARY DAMPER**
- (71) Applicants: **James E. Pearson**, Downers Grove, IL (US); **Paul H. Tuma**, Lombard, IL (US)
- (72) Inventors: **James E. Pearson**, Downers Grove, IL (US); **Paul H. Tuma**, Lombard, IL (US)
- (73) Assignee: **Robertshaw Controls Company**, Itasca, IL (US)
- (**) Term: **15 Years**
- (21) Appl. No.: **29/566,186**
- (22) Filed: **May 27, 2016**

Related U.S. Application Data

- (63) Continuation of application No. 15/015,224, filed on Feb. 4, 2016.
- (51) **LOC (10) Cl.** **15-07**
- (52) **U.S. Cl.**
USPC **D15/89**
- (58) **Field of Classification Search**
USPC D9/434, 435, 436, 449, 454; D15/89, D15/138, 148, 149
CPC F16D 41/00; F16D 2300/22; F16F 9/12
See application file for complete search history.

(56) **References Cited**

U.S. PATENT DOCUMENTS

3,176,715 A	4/1965	McQuown	
4,009,591 A	3/1977	Hester	
4,229,945 A	10/1980	Griffin et al.	
4,571,773 A *	2/1986	Yuda	E05F 3/00 16/85
4,576,252 A *	3/1986	Omata	E05F 3/14 16/82
4,646,531 A	3/1987	Song	

4,691,811 A *	9/1987	Arakawa	F16F 9/12 188/290
4,768,630 A *	9/1988	Aubry	F16F 9/145 188/276
4,893,522 A *	1/1990	Arakawa	E05F 3/14 16/82
5,187,948 A	2/1993	Frohbieter	
5,191,774 A	3/1993	Park	
5,211,267 A *	5/1993	Clark	F16D 57/00 16/82
5,269,397 A *	12/1993	Kawamoto	B29C 65/08 16/82
5,355,979 A *	10/1994	Stephan	E05F 3/14 188/290

(Continued)

Primary Examiner — Patricia Palasik

(74) *Attorney, Agent, or Firm* — Reinhart Boerner Van Deuren P.C.

(57) **CLAIM**

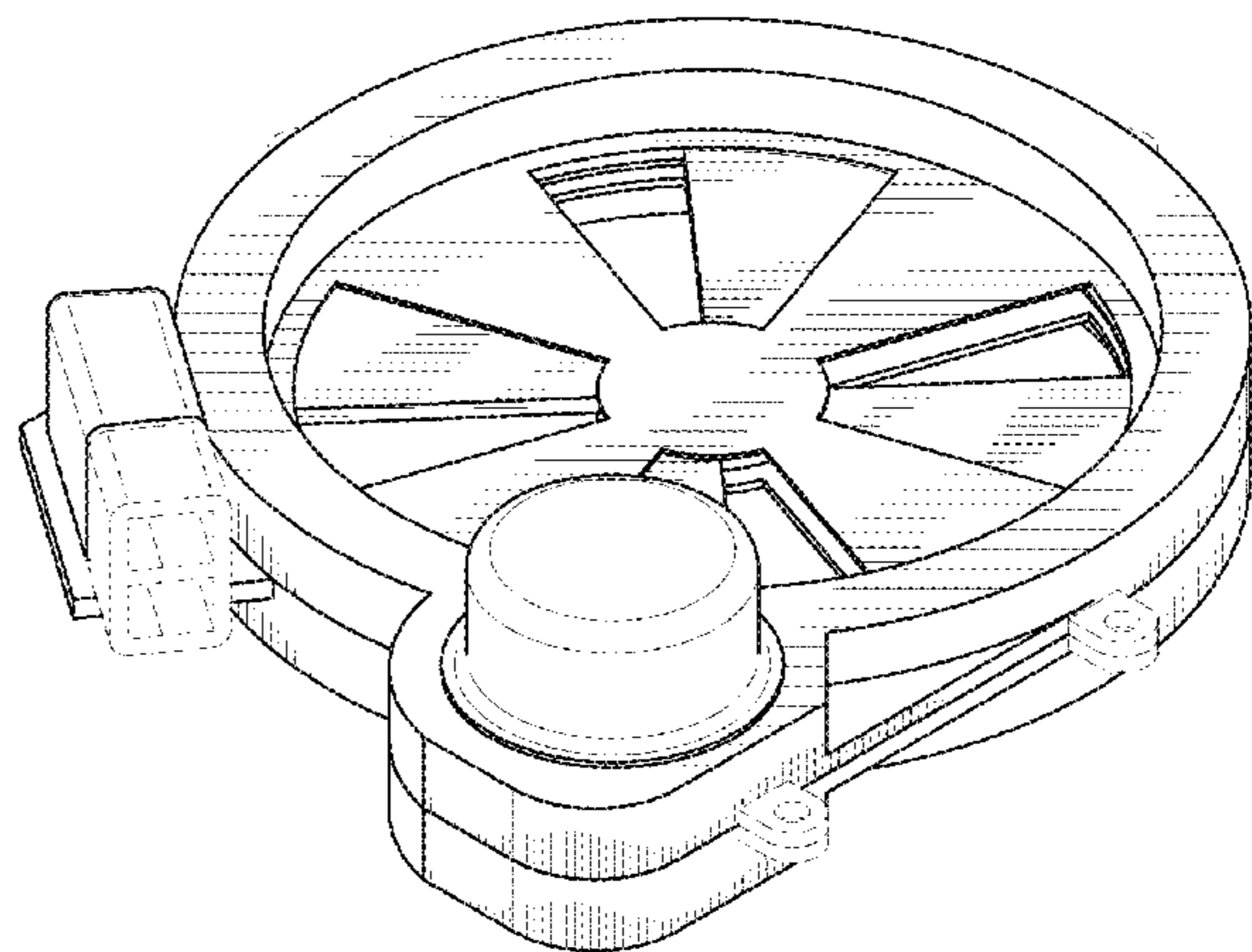
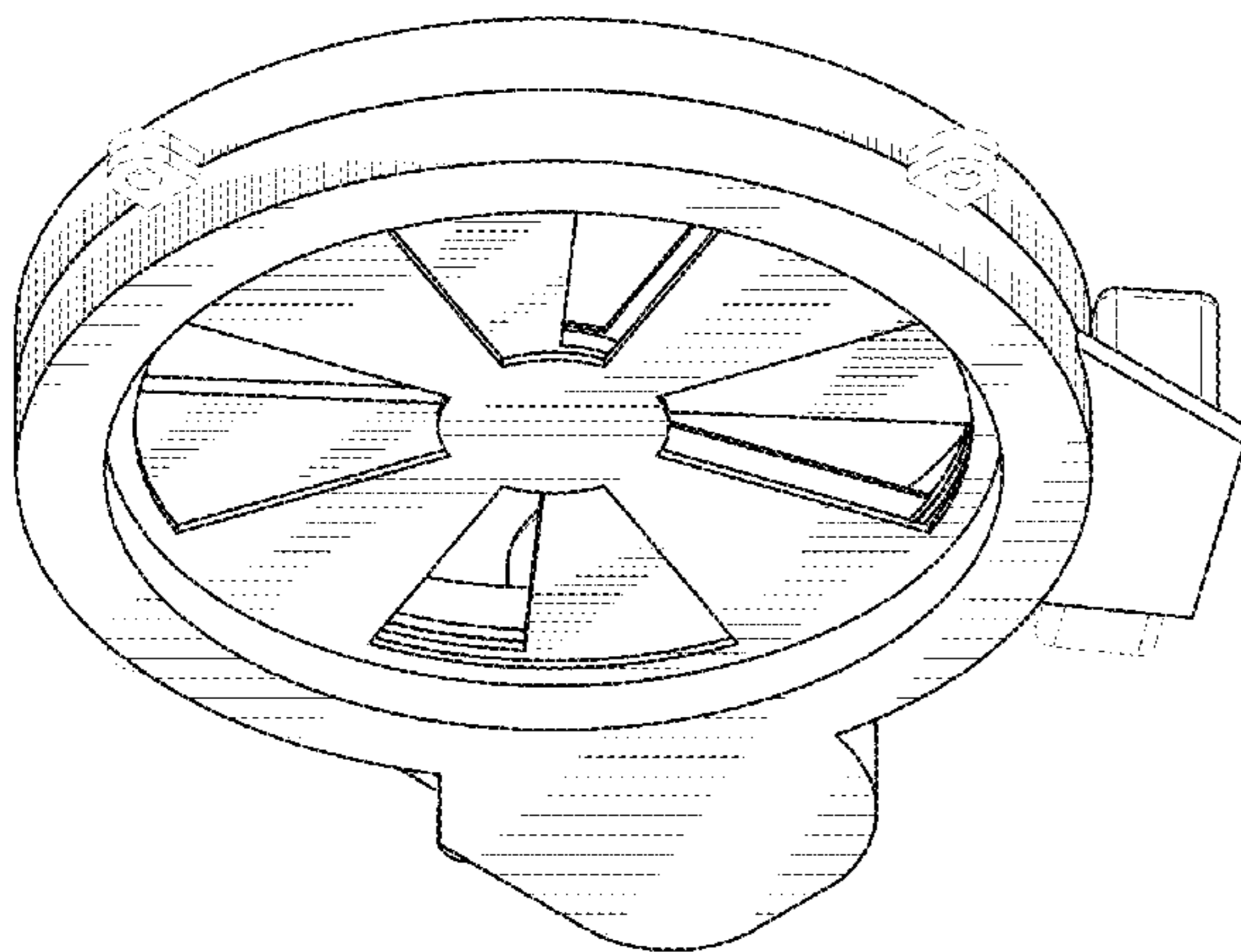
We claim the ornamental design for the rotary damper, as shown and described.

DESCRIPTION

FIG. 1 is a bottom perspective view of the rotary damper; FIG. 2 is a top perspective view thereof; FIG. 3 is a top perspective view thereof that has been rotated 180° from that shown in FIG. 2; FIG. 4 is a side view thereof; FIG. 5 is a top view thereof; FIG. 6 is a side view thereof showing the side that is 90° clockwise from that shown in FIG. 4; FIG. 7 is a bottom view thereof; FIG. 8 is a side view thereof showing the side opposite that shown in FIG. 6; and, FIG. 9 is a side view thereof showing the side opposite that shown in FIG. 4.

The dashed lines in the drawings depict unclaimed environmental subject matter.

1 Claim, 4 Drawing Sheets



(56)

References Cited

U.S. PATENT DOCUMENTS

5,392,884 A *	2/1995	Ojima	F16F 9/145 188/290	8,438,872 B2	5/2013	Yun et al.	
5,642,628 A	7/1997	Whipple, III et al.		8,491,363 B2	7/2013	Dirnberger et al.	
5,697,122 A *	12/1997	Okabe	E05F 3/14 16/82	8,636,567 B2	1/2014	Fitzgerald et al.	
5,778,694 A	7/1998	Jeong		8,863,549 B2	10/2014	Cho et al.	
5,802,867 A	9/1998	Kang		8,944,541 B2	2/2015	Allard et al.	
5,899,083 A	5/1999	Peterson et al.		9,004,325 B2	4/2015	Licht et al.	
6,094,932 A	8/2000	Chiappetta		9,052,131 B2	6/2015	Reimann et al.	
6,121,526 A *	9/2000	Kobori	F16F 9/145 188/291	9,103,390 B2	8/2015	Shimozaki et al.	
6,240,735 B1	6/2001	Kolson et al.		9,109,819 B2	8/2015	Shin et al.	
D479,242 S *	9/2003	Kurachi	D14/483	2005/0006189 A1 *	1/2005	Kanno	F16F 9/20 188/290
6,622,829 B2 *	9/2003	Oliver	B60G 13/005 188/290	2005/0115784 A1 *	6/2005	Muller	F16F 9/12 188/290
6,637,225 B1	10/2003	Cho et al.		2005/0252740 A1 *	11/2005	Fukukawa	F16F 9/145 188/290
6,647,740 B2	11/2003	Noritake		2006/0011428 A1 *	1/2006	Hayashi	F16F 9/12 188/290
D486,833 S *	2/2004	Koizumi	D14/483	2006/0214015 A1	9/2006	Furukawa et al.	
6,705,099 B2	3/2004	Cho et al.		2006/0218951 A1	10/2006	Pearson et al.	
6,722,144 B2	4/2004	Johnson		2008/0257086 A1	10/2008	Noritake	
6,780,098 B2	8/2004	Nishida et al.		2009/0159382 A1	6/2009	Chemouni et al.	
6,880,359 B2	4/2005	Pearson et al.		2009/0193833 A1	8/2009	Poole	
6,910,340 B2	6/2005	Nowak et al.		2009/0266903 A1	10/2009	Fitzgerald et al.	
6,953,184 B2	10/2005	Lanz et al.		2011/0302945 A1	12/2011	Howington et al.	
7,140,593 B2	11/2006	Pearson et al.		2013/0061765 A1	3/2013	Reinhart	
7,204,353 B2 *	4/2007	Kanno	F16F 9/20 188/290	2013/0098074 A1	4/2013	Hegedus et al.	
7,231,780 B2	6/2007	Park et al.		2013/0098075 A1	4/2013	Hegedus et al.	
7,926,298 B2	4/2011	Kuehl et al.		2013/0118027 A1	5/2013	Ashrafzadeh et al.	
7,938,238 B2 *	5/2011	Koizumi	F16F 9/12 188/290	2013/0327081 A1	12/2013	Son et al.	
8,104,301 B2	1/2012	Kang		2014/0035310 A1 *	2/2014	Ozaki	E05F 5/025 296/50
8,182,055 B2	5/2012	Yun et al.		2014/0124544 A1	5/2014	Licht et al.	
D670,301 S *	11/2012	Suzuki	D14/483	2014/0148088 A1	5/2014	Fitzgerald et al.	
				2014/0202174 A1	7/2014	Wang	
				2015/0052932 A1	2/2015	Allard et al.	
				2015/0192339 A1	7/2015	Licht et al.	

* cited by examiner

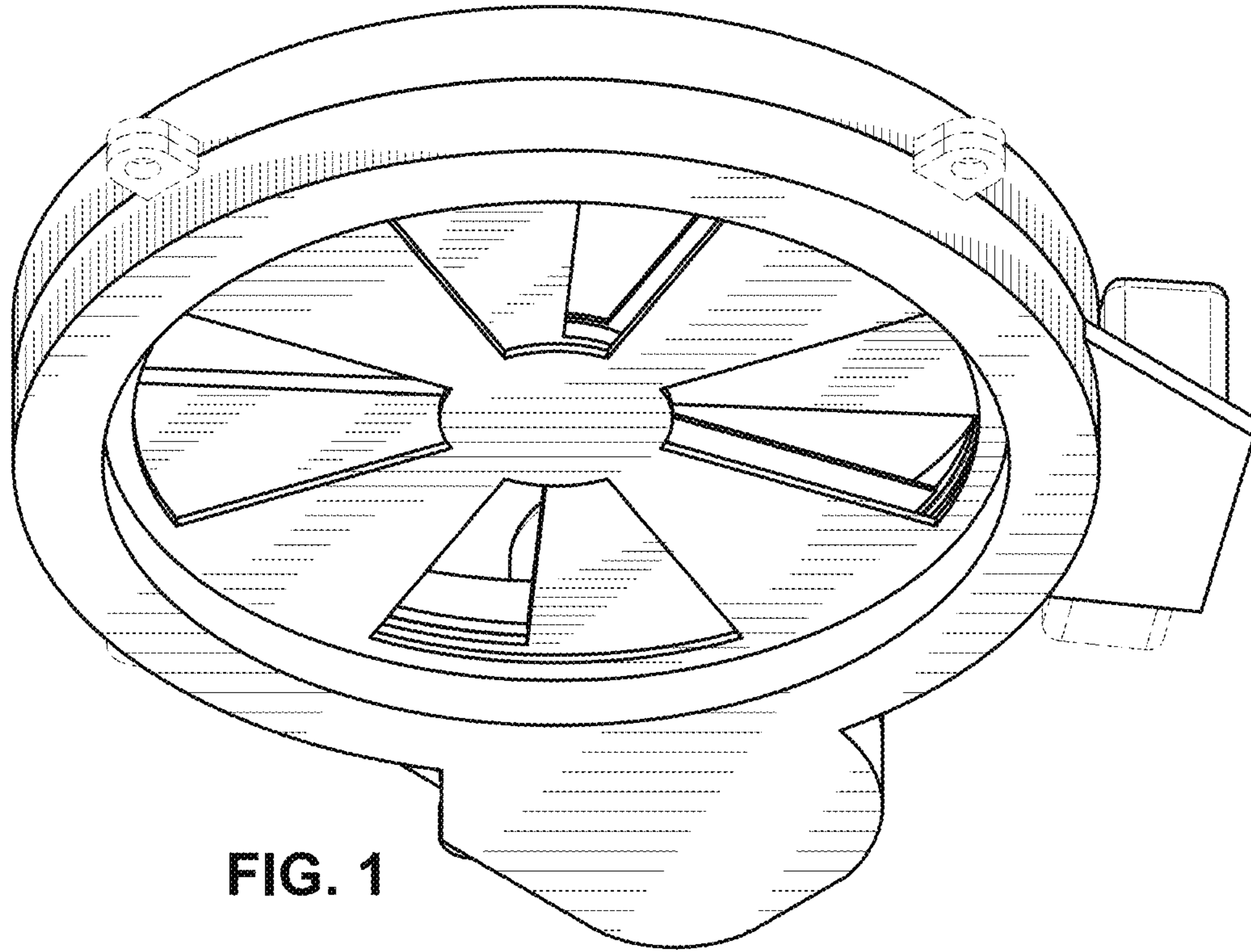


FIG. 1

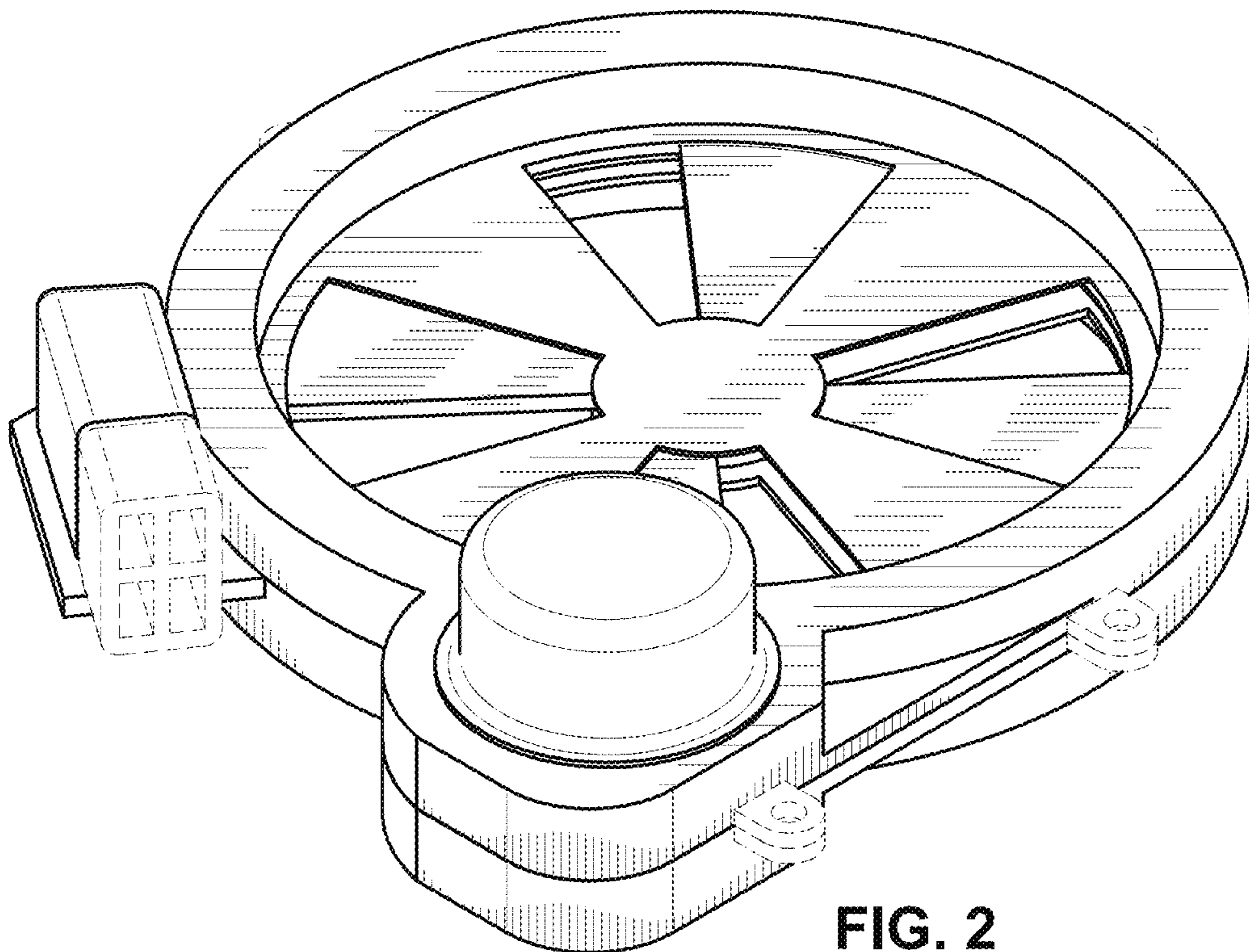


FIG. 2

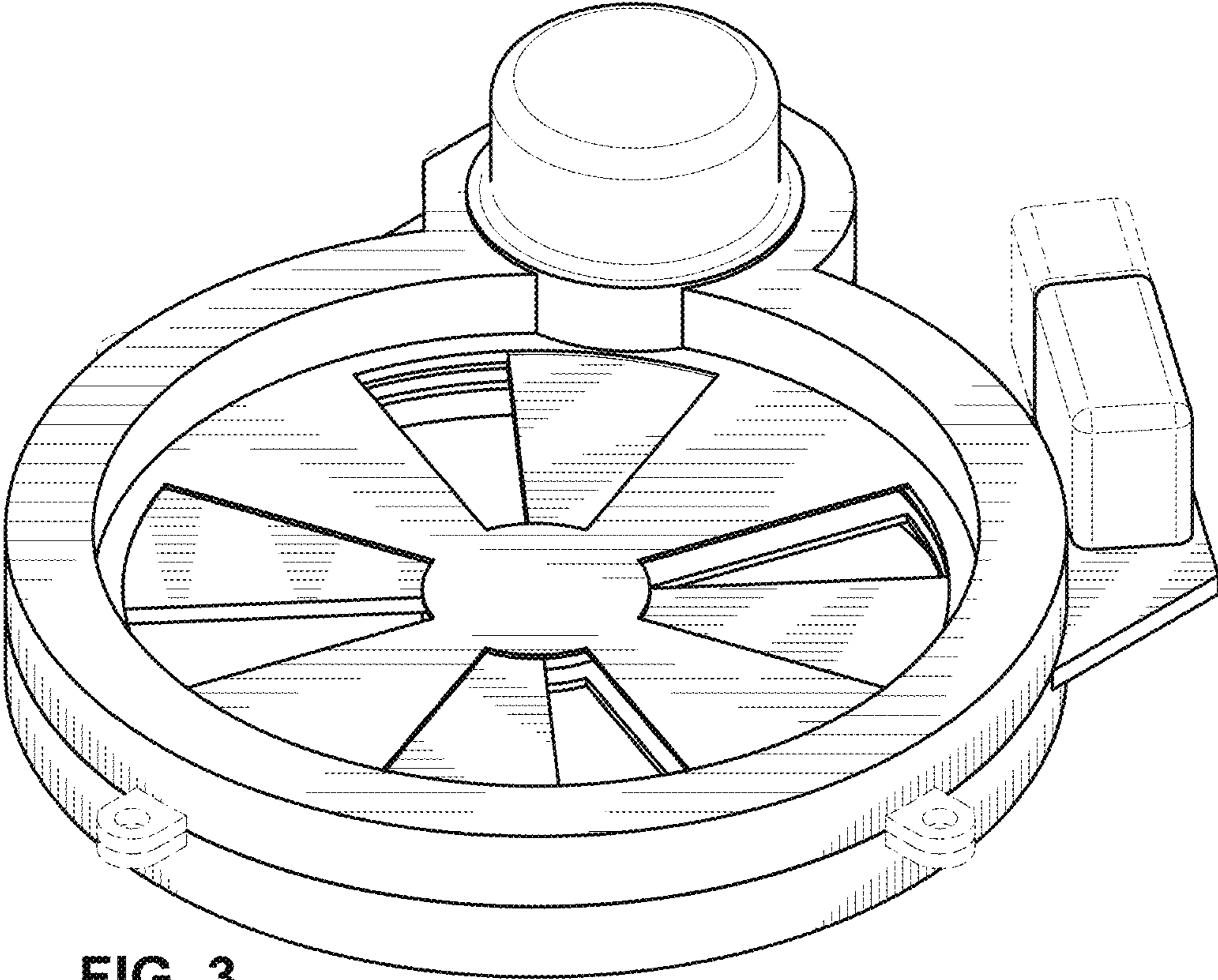


FIG. 3

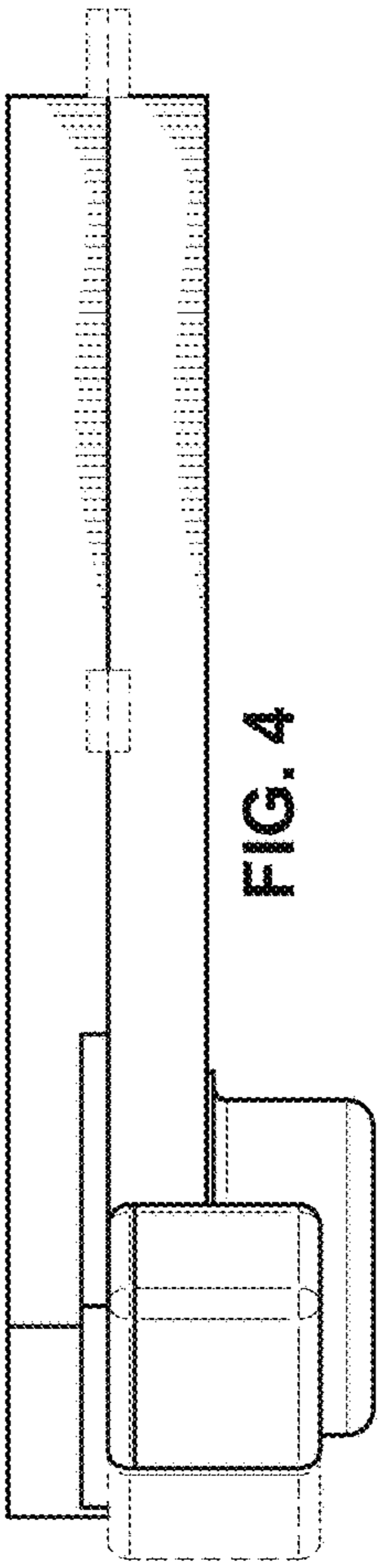


FIG. 4

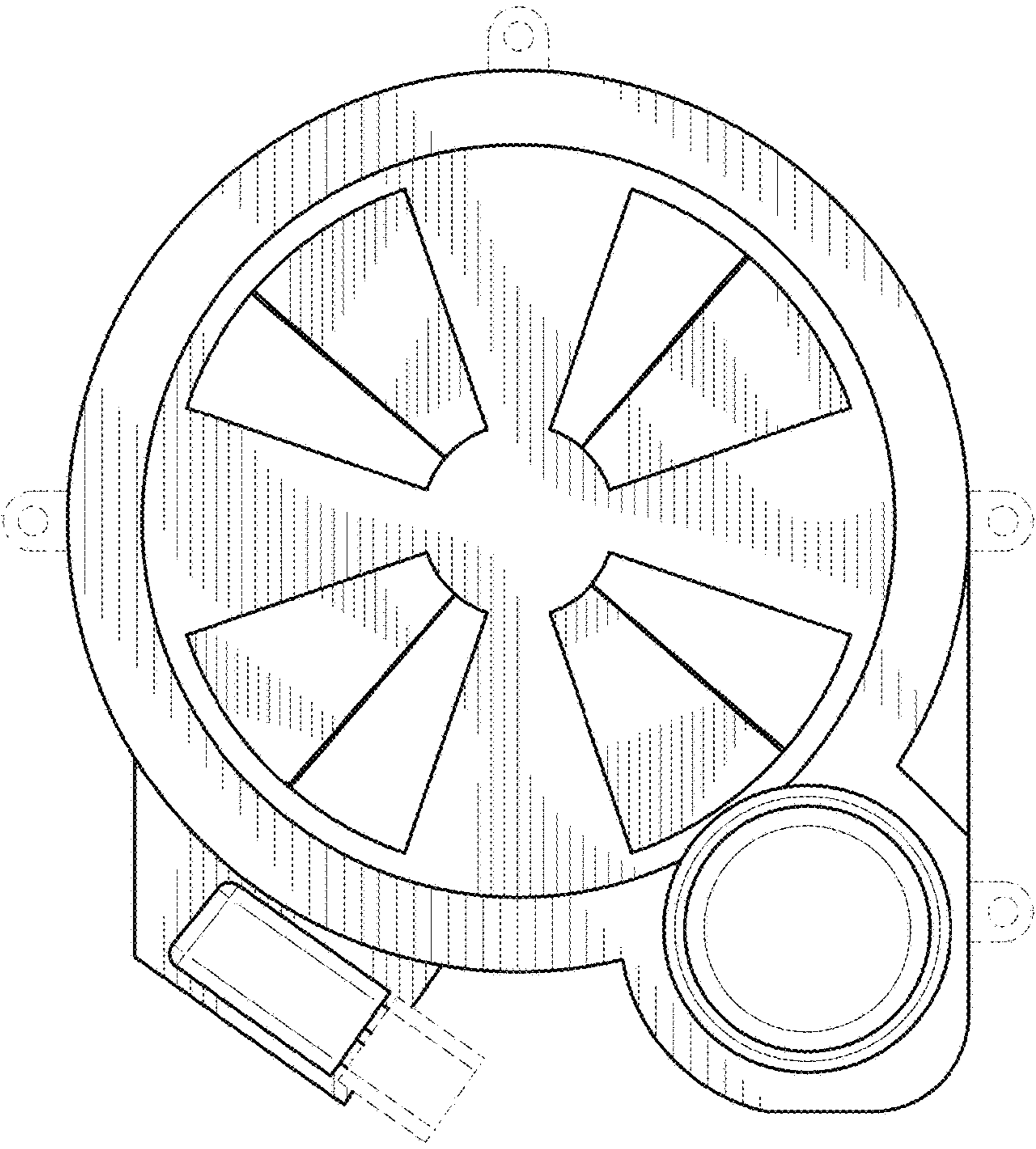


FIG. 5

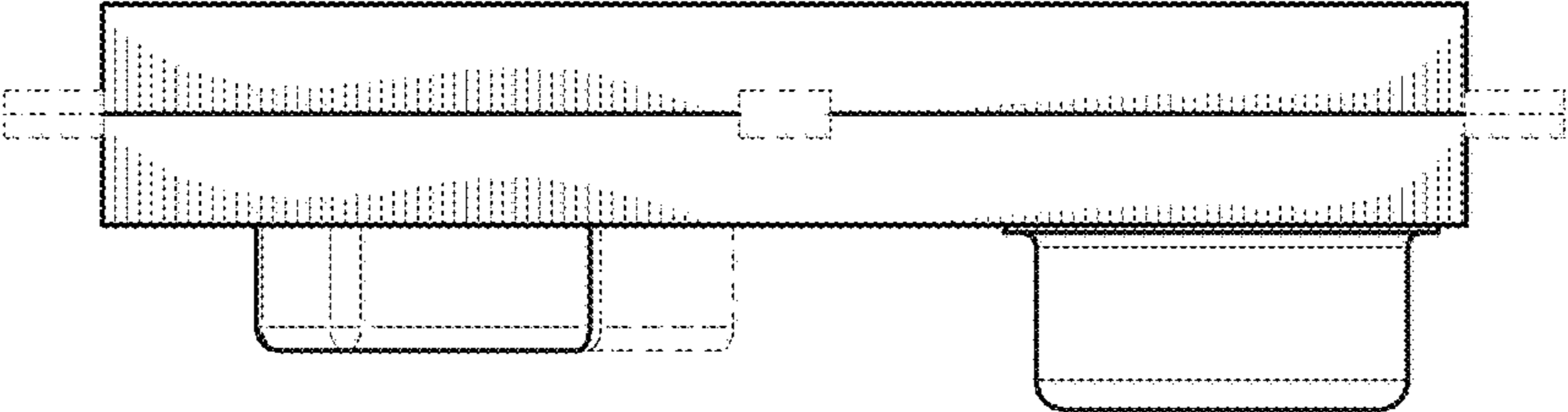


FIG. 6

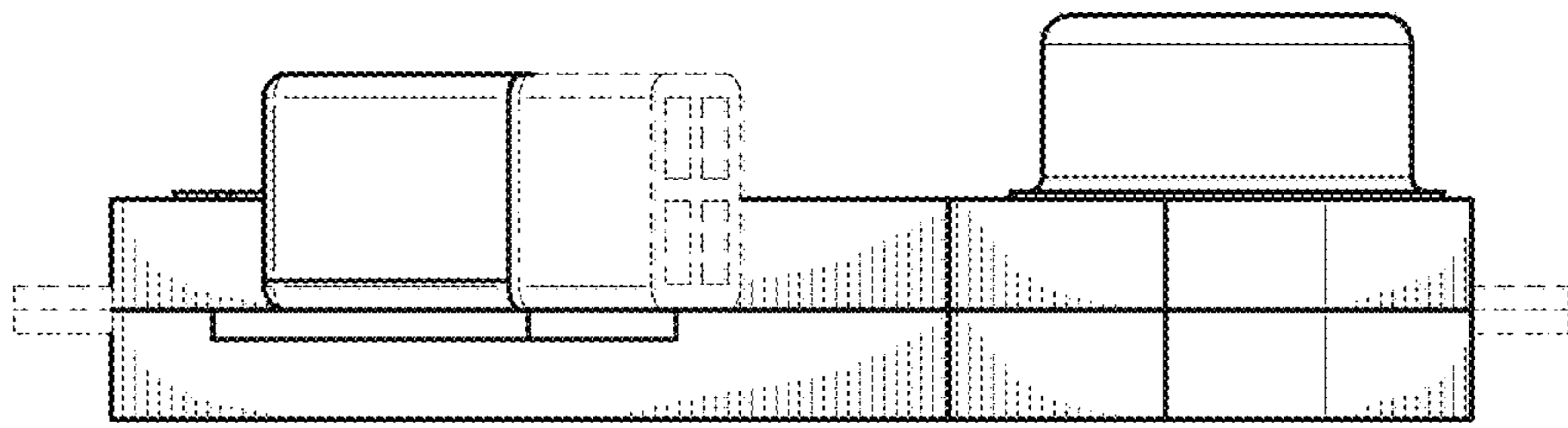


FIG. 8

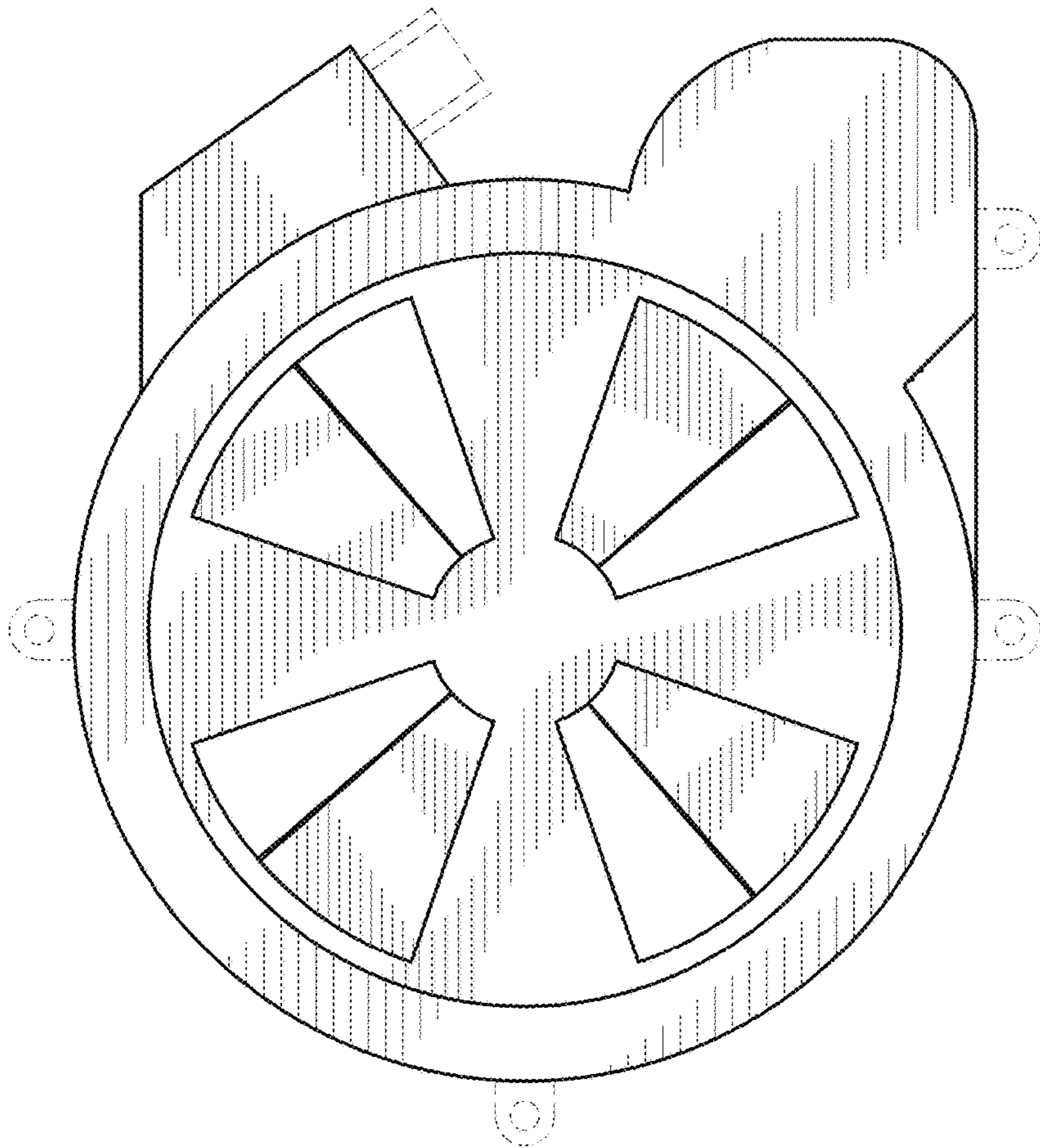


FIG. 7

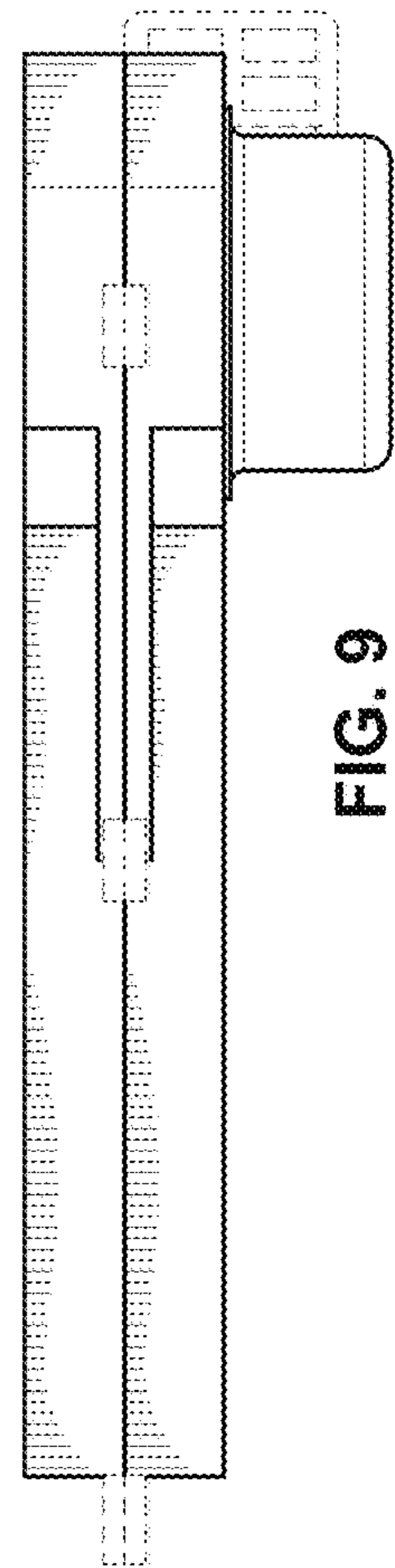


FIG. 9