



US00D798345S

(12) **United States Design Patent**
Maeda et al.

(10) **Patent No.:** **US D798,345 S**

(45) **Date of Patent:** **** *Sep. 26, 2017**

(54) **RACK FOR REFRIGERATING MACHINE**

(71) Applicant: **Mitsubishi Electric Corporation,**
Tokyo (JP)

(72) Inventors: **Koichi Maeda,** Tokyo (JP); **Kenichiro Toriumi,** Tokyo (JP); **Ataru Nakamura,** Tokyo (JP); **Hajime Fujimoto,** Tokyo (JP); **Hiroshi Sata,** Tokyo (JP)

(73) Assignee: **Mitsubishi Electric Corporation,**
Tokyo (JP)

(*) Notice: This patent is subject to a terminal disclaimer.

(**) Term: **14 Years**

(21) Appl. No.: **29/525,438**

(22) Filed: **Apr. 29, 2015**

(30) **Foreign Application Priority Data**

Jan. 15, 2015 (JP) 2015-000549

(51) **LOC (10) Cl.** **15-07**

(52) **U.S. Cl.**
USPC **D15/89**

(58) **Field of Classification Search**
USPC D15/79-91; D8/349, 354, 363, 366, 371,
D8/373, 380, 381, 382, 384; D32/1, 5-6,
D32/8, 10, 25
CPC .. F25D 23/028; F25D 23/062; F25D 2500/06;
F25D 2600/00; F25D 2700/02; F25D
2700/06; F25D 2700/08; F25D 29/00;
A47F 3/0434; A47F 11/10; A47F 3/001;
A47F 3/043

See application file for complete search history.

(56) **References Cited**

U.S. PATENT DOCUMENTS

2,077,348 A * 4/1937 Gaston F25B 39/024
62/520
2,109,986 A * 3/1938 Atchison F25B 39/024
62/520

6,484,364 B2 * 11/2002 Turner B65D 25/28

16/405

D466,725 S * 12/2002 Masciale D32/25

D584,596 S * 1/2009 Doverspike D8/354

(Continued)

Primary Examiner — Ian Simmons

Assistant Examiner — Khawaja Anwar

(74) *Attorney, Agent, or Firm* — Studebaker & Brackett
PC

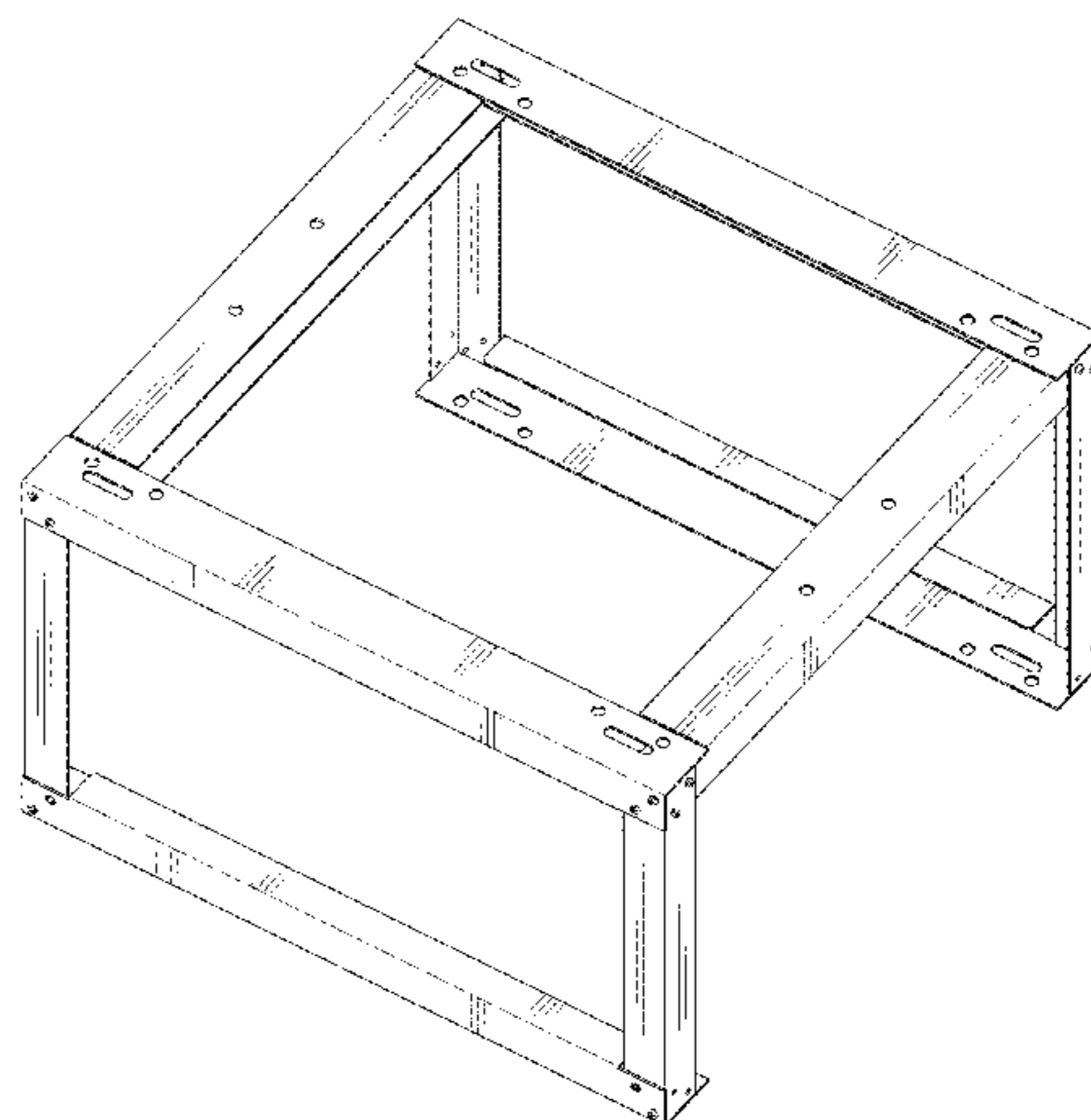
(57) **CLAIM**

The ornamental design for rack for refrigerating machine, as shown and described.

DESCRIPTION

FIG. 1 is a perspective view of the front, right, and top sides a rack for refrigerating machine, showing our new design; FIG. 2 is a front view thereof; FIG. 3 is a rear view thereof; FIG. 4 is a left side view thereof; FIG. 5 is a right side view thereof; FIG. 6 is a top view thereof; FIG. 7 is a bottom view thereof; FIG. 8 is a perspective view thereof, shown in a condition of use; FIG. 9 is another perspective view thereof, shown in another condition of use; FIG. 10 is another perspective view thereof, shown in another condition of use; FIG. 11 is another perspective view thereof, showing two racks in another condition of use; and, FIG. 12 is another perspective view thereof, showing two racks in another condition of use. The broken lines shown in the drawings represent unclaimed environment and form no part of the claimed design.

1 Claim, 12 Drawing Sheets



(56)

References Cited

U.S. PATENT DOCUMENTS

D612,226	S *	3/2010	Dinh	D8/356
D636,618	S *	4/2011	Kundinger, Jr.	D6/702
D645,623	S *	9/2011	Helot	D32/25
D667,718	S *	9/2012	Preda	D8/354
D681,072	S *	4/2013	Sata	D15/79
D681,076	S *	4/2013	Sata	D15/91
D705,645	S *	5/2014	Bakos	D8/380
D732,939	S *	6/2015	Cannaverde	E06B 9/174
					D8/354
D736,606	S *	8/2015	Underkoffler	D8/373
D744,771	S *	12/2015	Subbi	D6/675
D760,578	S *	7/2016	Sigona	D8/349
D769,698	S *	10/2016	Oltrogge	D8/349
2004/0201967	A1 *	10/2004	Muirhead	G06F 1/182
					361/716
2004/0263032	A1 *	12/2004	Cho	A47B 67/04
					312/330.1

* cited by examiner

Fig. 1

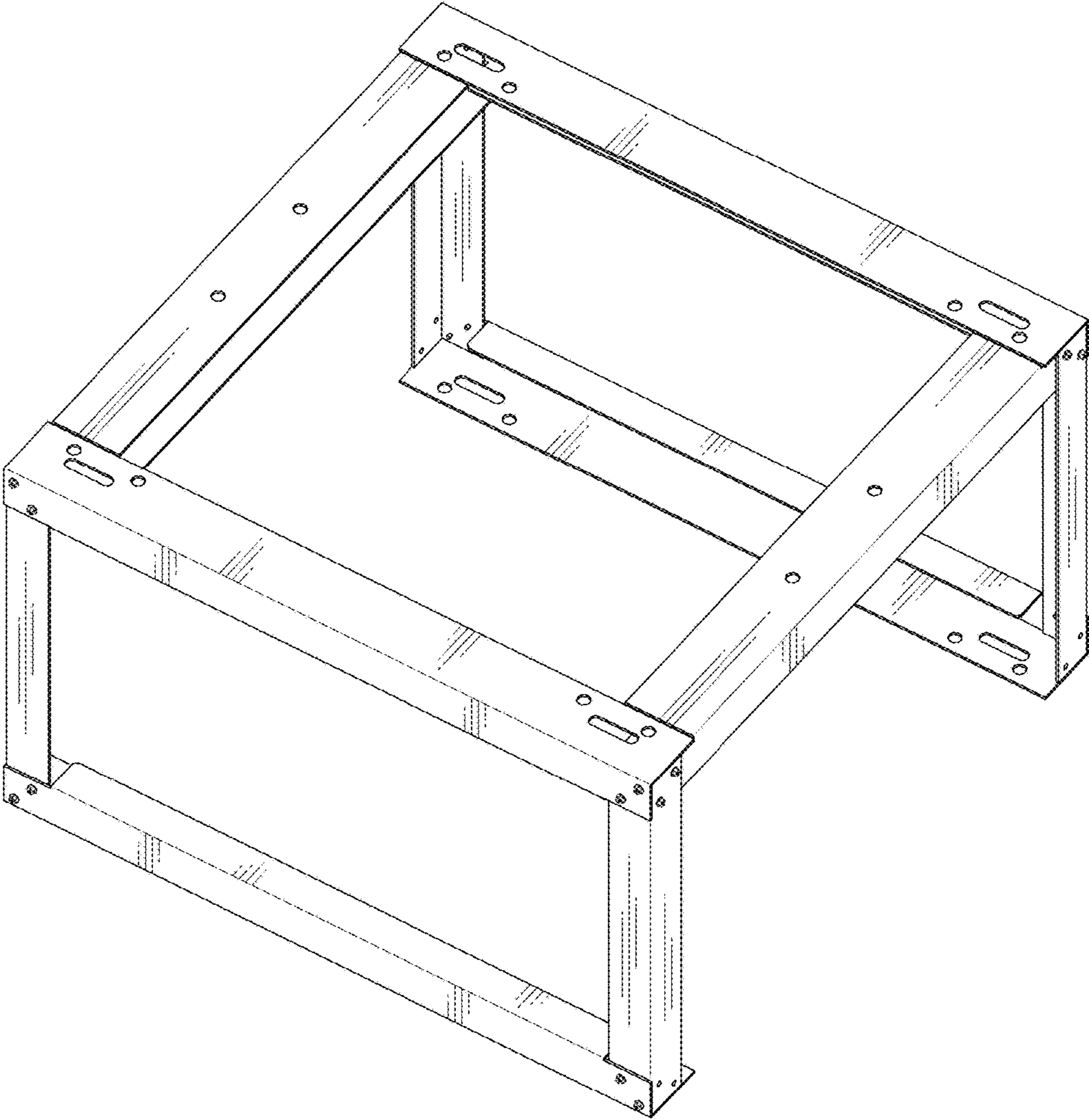


Fig. 2

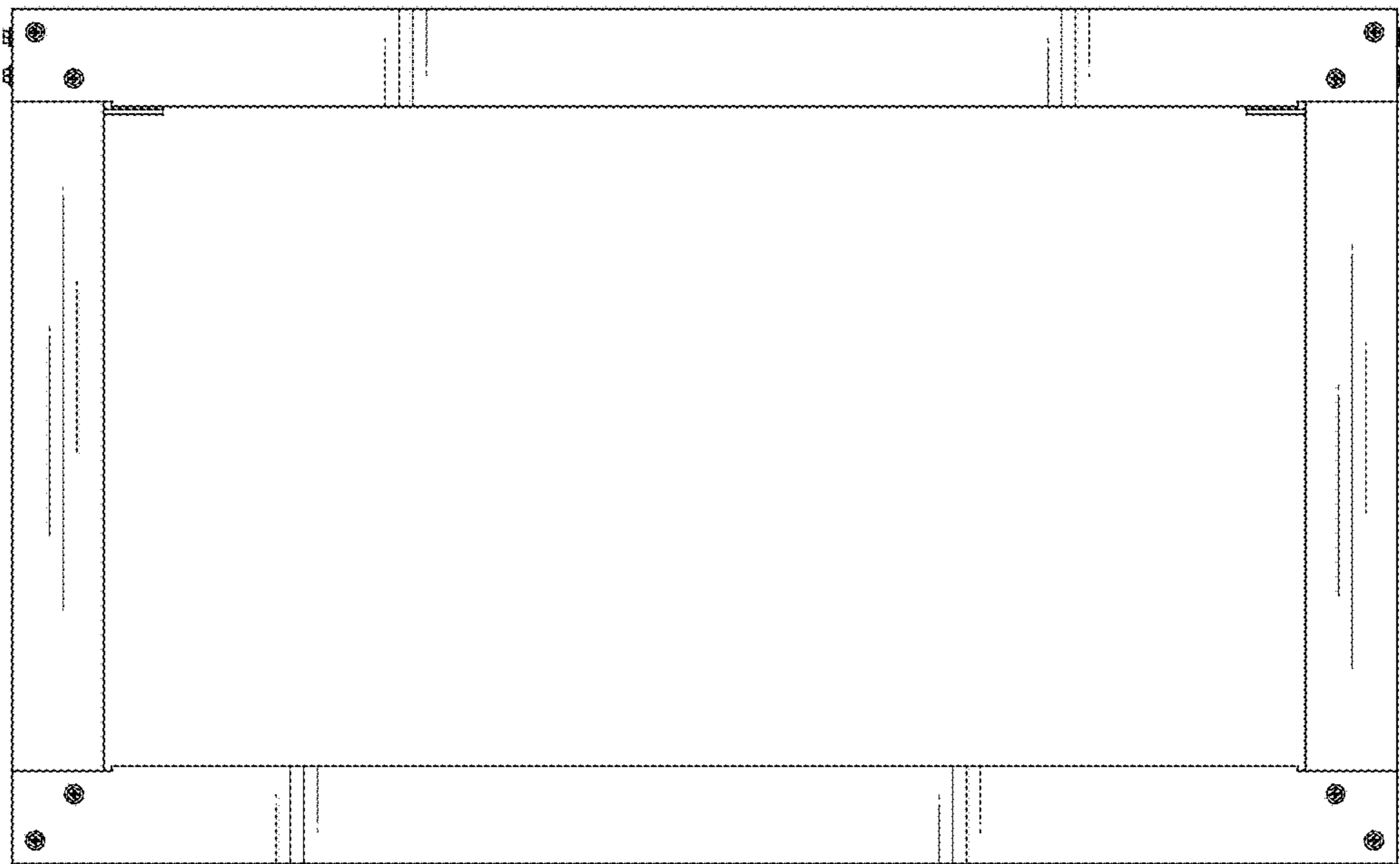


Fig. 3

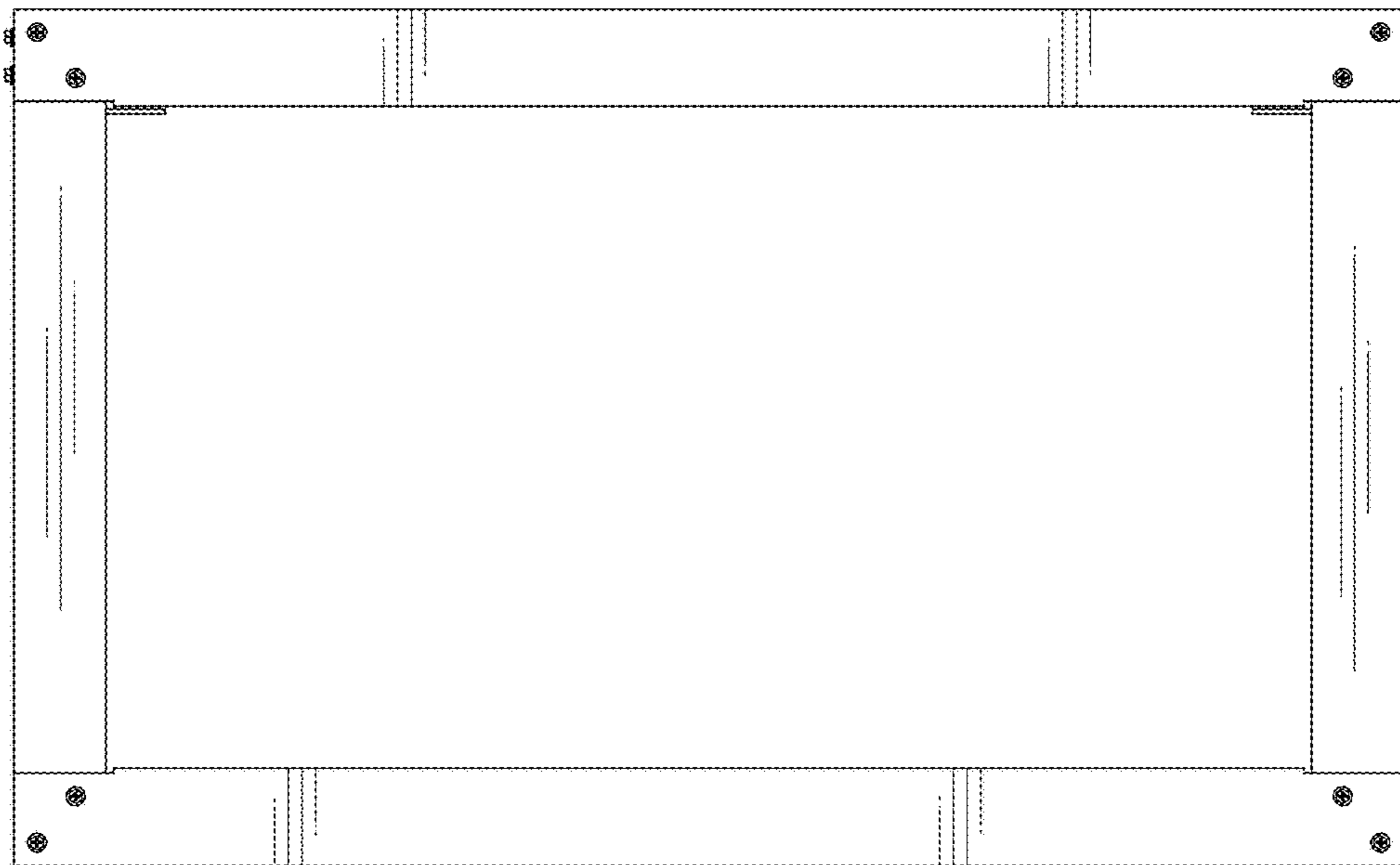


Fig. 4

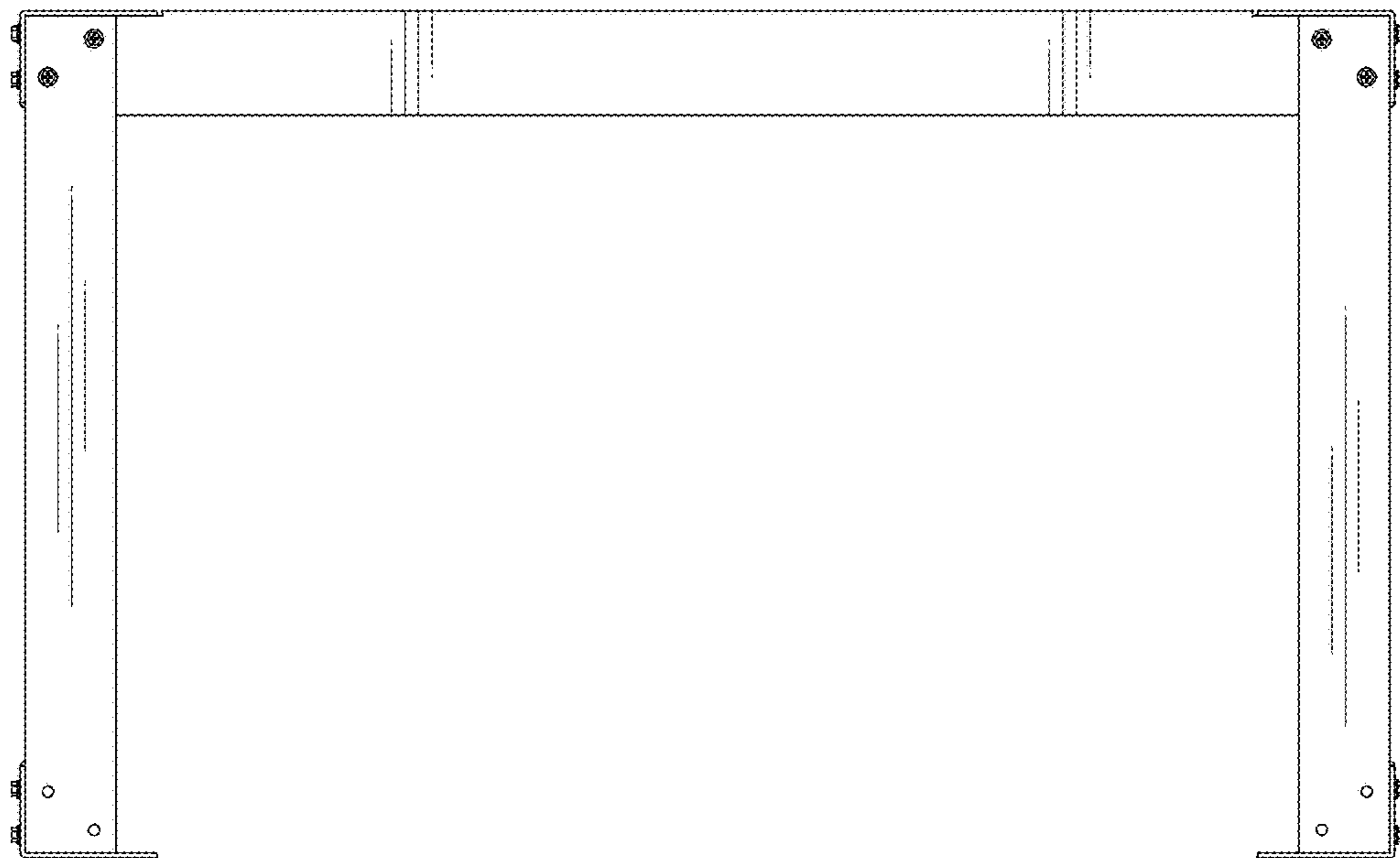


Fig. 5

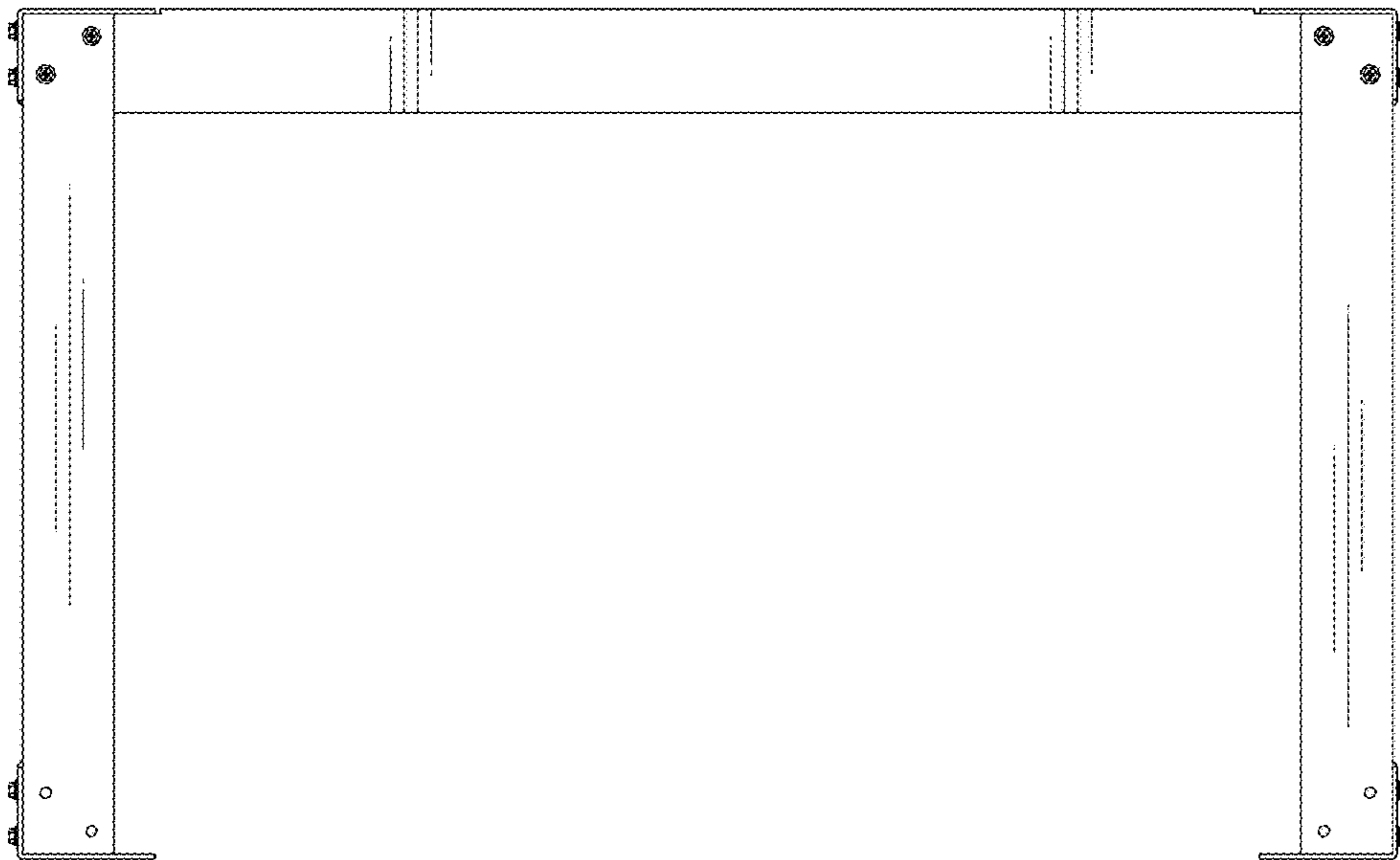


Fig. 6

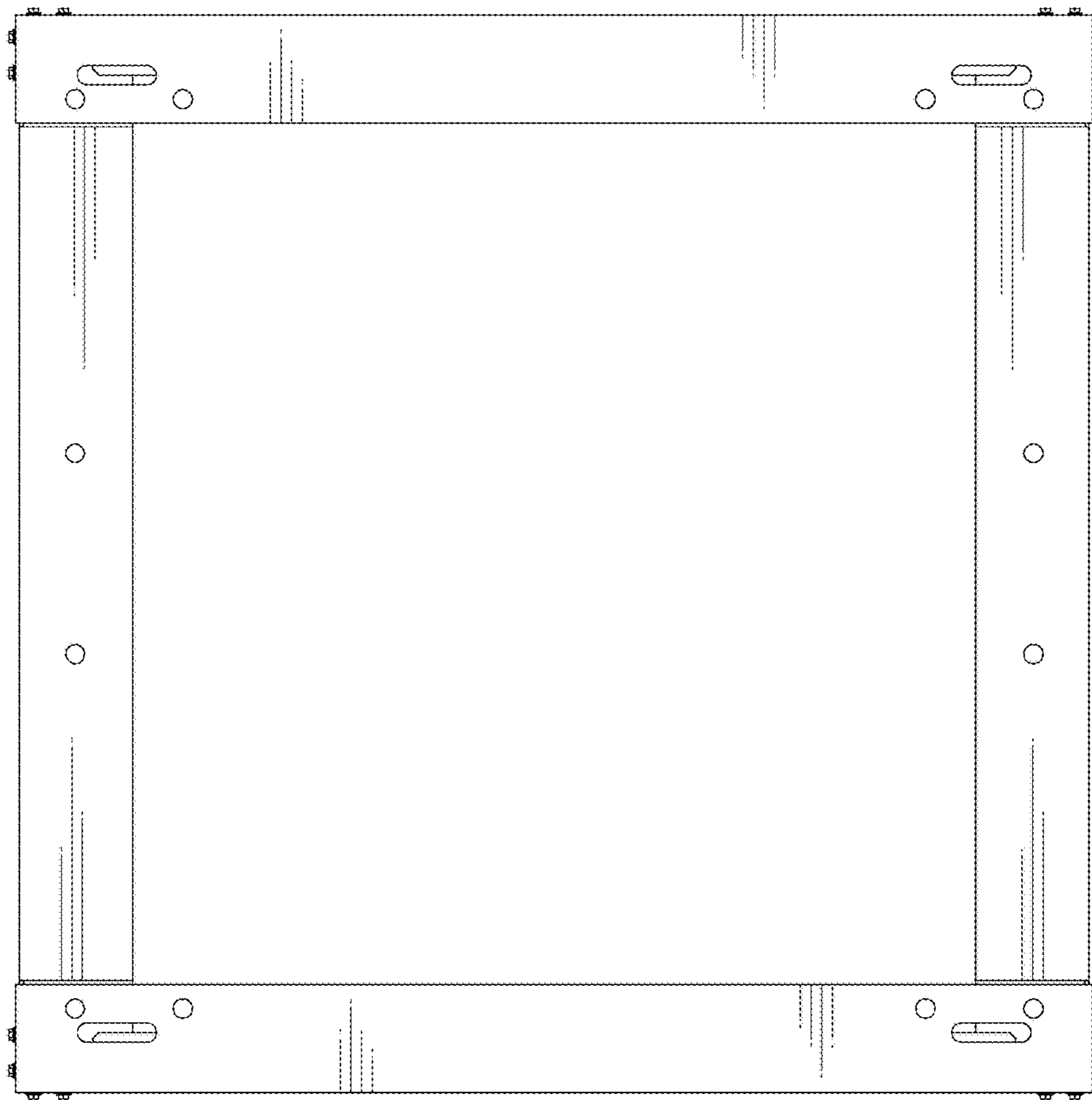


Fig. 7

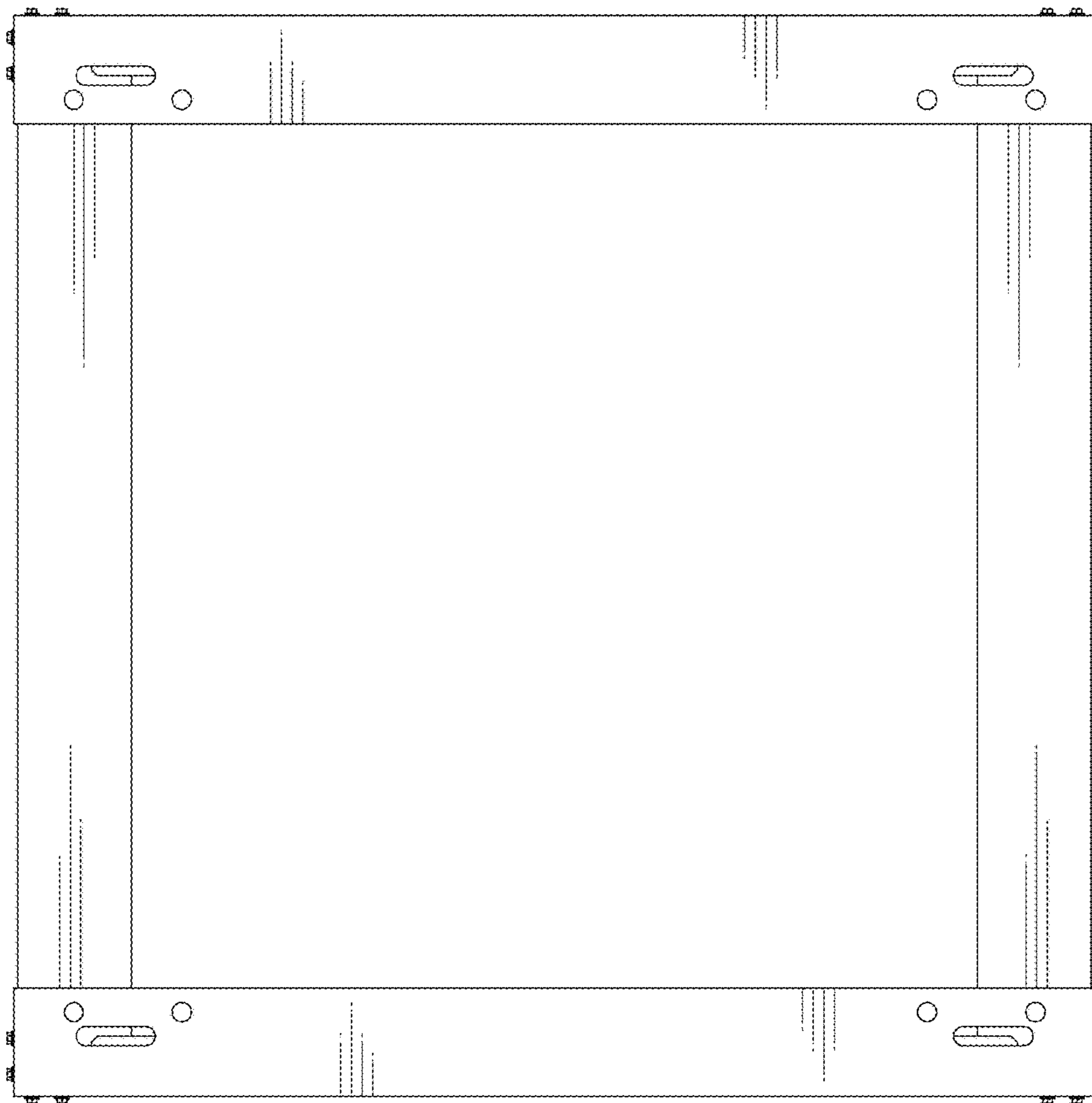


Fig. 8

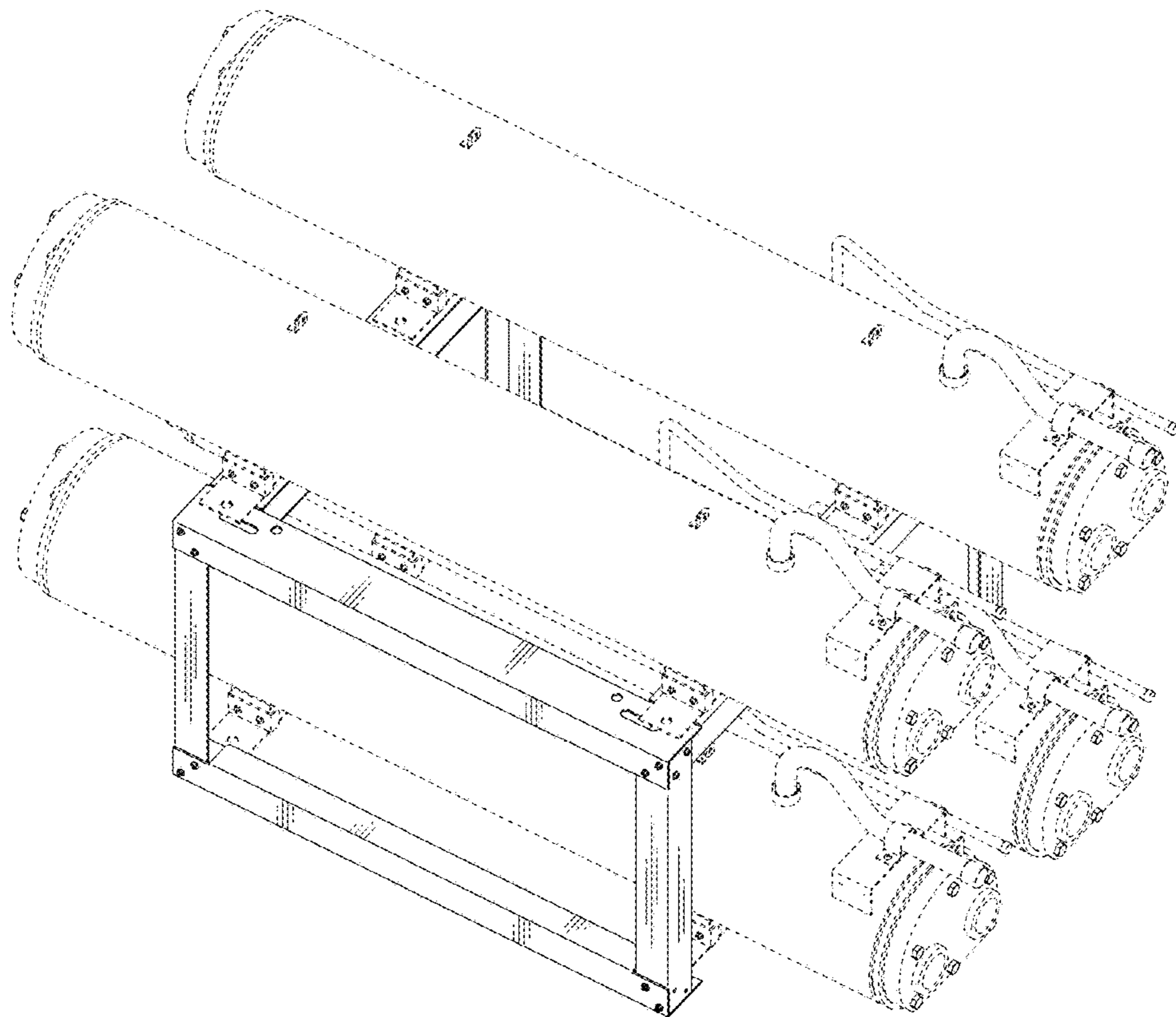


Fig. 9

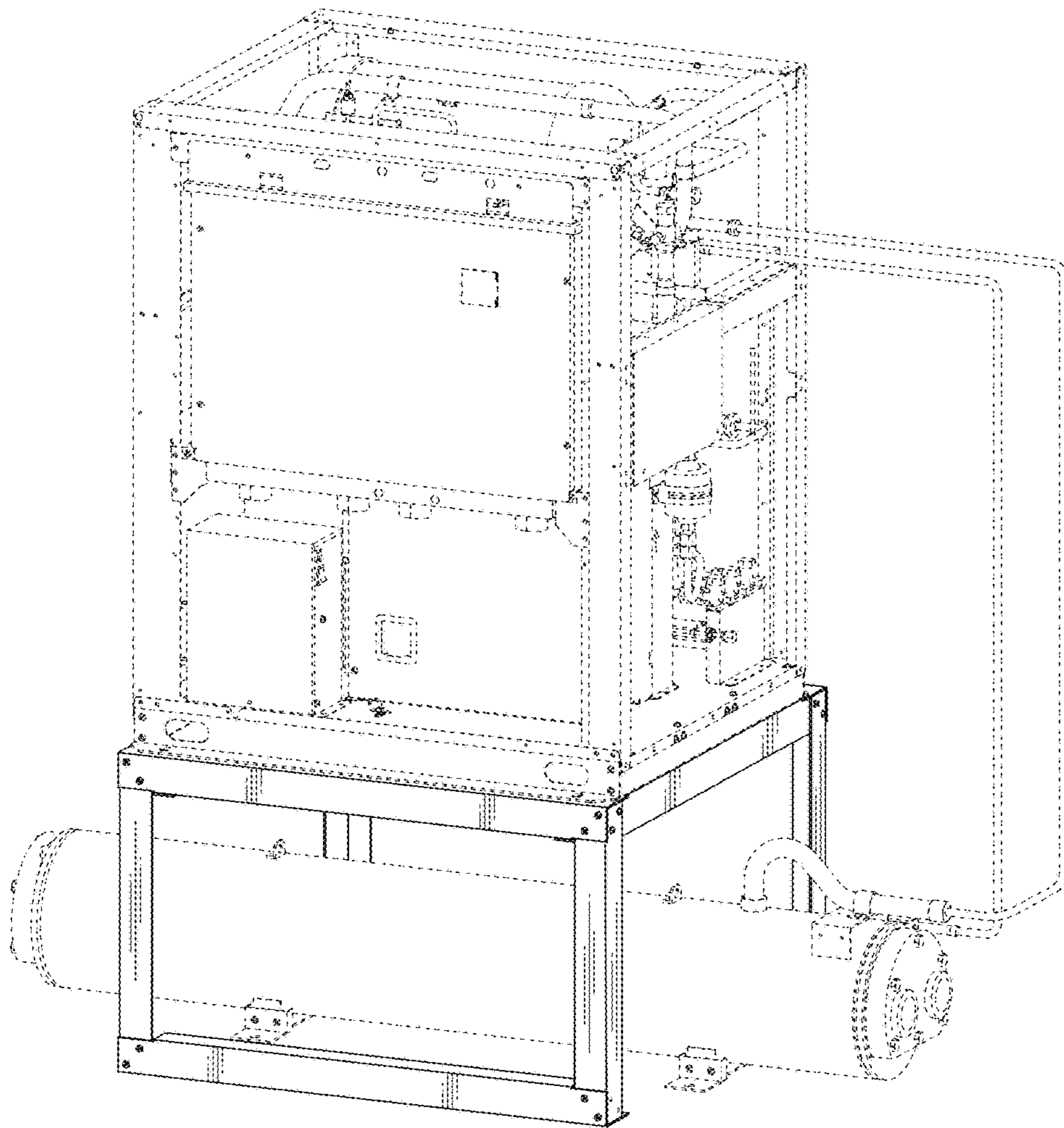


Fig. 10

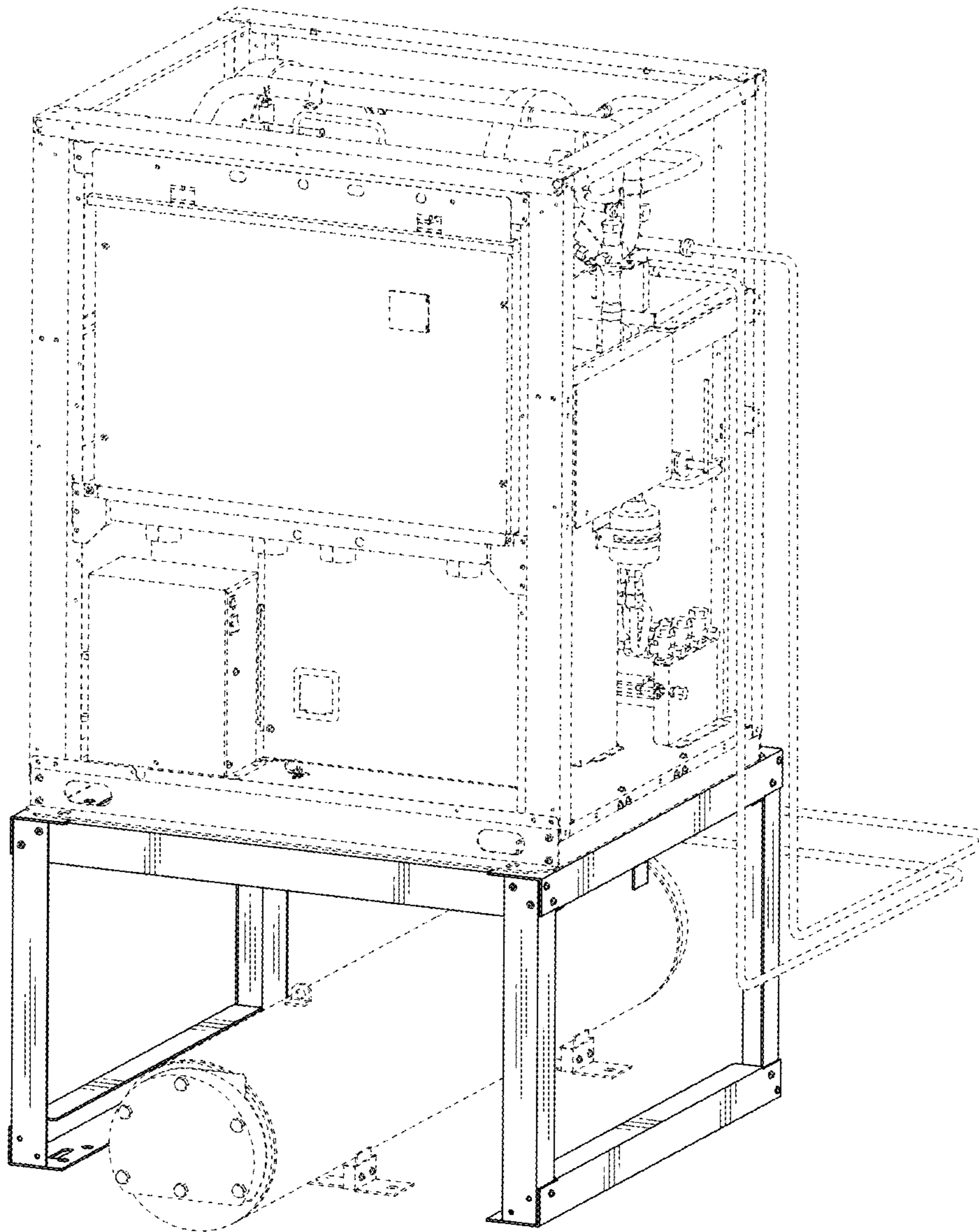


Fig. 11

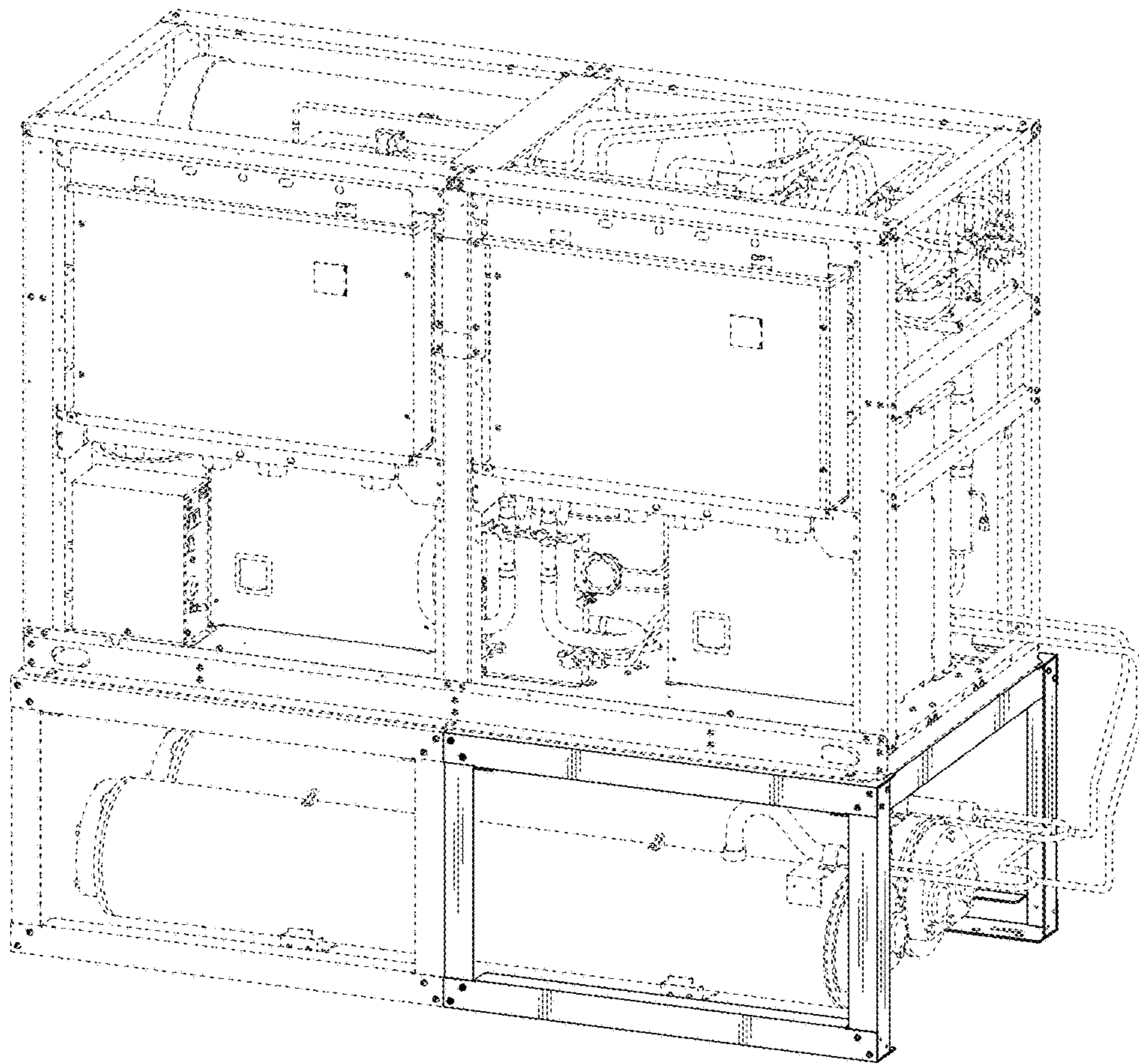


Fig. 12

