

US00D798344S

(12) **United States Design Patent**  
**Kim et al.**

(10) **Patent No.:** **US D798,344 S**  
(45) **Date of Patent:** **\*\* Sep. 26, 2017**

(54) **REFRIGERATOR**

F25B 41/046; F25B 49/00; F25B 49/02;  
F25B 49/022; F25B 49/025; F25B 5/02

See application file for complete search history.

(71) Applicant: **Samsung Electronics Co., Ltd.**,  
Suwon-si (KR)

(56) **References Cited**

(72) Inventors: **Hyunsoo Kim**, Seongnam-si (KR);  
**Sunmin Lee**, Seoul (KR); **Cheolwoong**  
**Seo**, Seongnam-si (KR); **Hwanwoong**  
**Choi**, Seoul (KR); **Youngmin Park**,  
Seoul (KR)

U.S. PATENT DOCUMENTS

D614,209	S	*	4/2010	Kristiansen	.....	D15/86
D674,823	S	*	1/2013	Jidam	.....	D15/86
D676,467	S	*	2/2013	Kim	.....	D15/86
D686,644	S		7/2013	Lee et al.		
D692,033	S	*	10/2013	Choi	.....	D15/86
D692,929	S	*	11/2013	Seo	.....	D15/86
D703,245	S	*	4/2014	Seo	.....	D15/86
D711,435	S	*	8/2014	Boo	.....	D15/86
D711,934	S	*	8/2014	Boo	.....	D15/86
D711,935	S	*	8/2014	Lee	.....	D15/86
D714,364	S	*	9/2014	Jeon	.....	D15/86

(73) Assignee: **Samsung Electronics Co., Ltd.**,  
Suwon-si (KR)

(\*\*) Term: **15 Years**

FOREIGN PATENT DOCUMENTS

(21) Appl. No.: **29/577,561**

JP	D1242694	6/2005
JP	D1374106	11/2009
KR	30-2009-0006831	4/2010
KR	30-2013-0050919	7/2014

(22) Filed: **Sep. 14, 2016**

\* cited by examiner

(30) **Foreign Application Priority Data**

Mar. 15, 2016 (KR) ..... 30-2016-0011823

*Primary Examiner* — Mitchell Siegel

*Assistant Examiner* — Khawaja Anwar

(51) **LOC (10) Cl.** ..... **15-07**

(74) *Attorney, Agent, or Firm* — NSIP Law

(52) **U.S. Cl.**

(57) **CLAIM**

USPC ..... **D15/86**

We claim the ornamental design for a refrigerator, as shown and described.

(58) **Field of Classification Search**

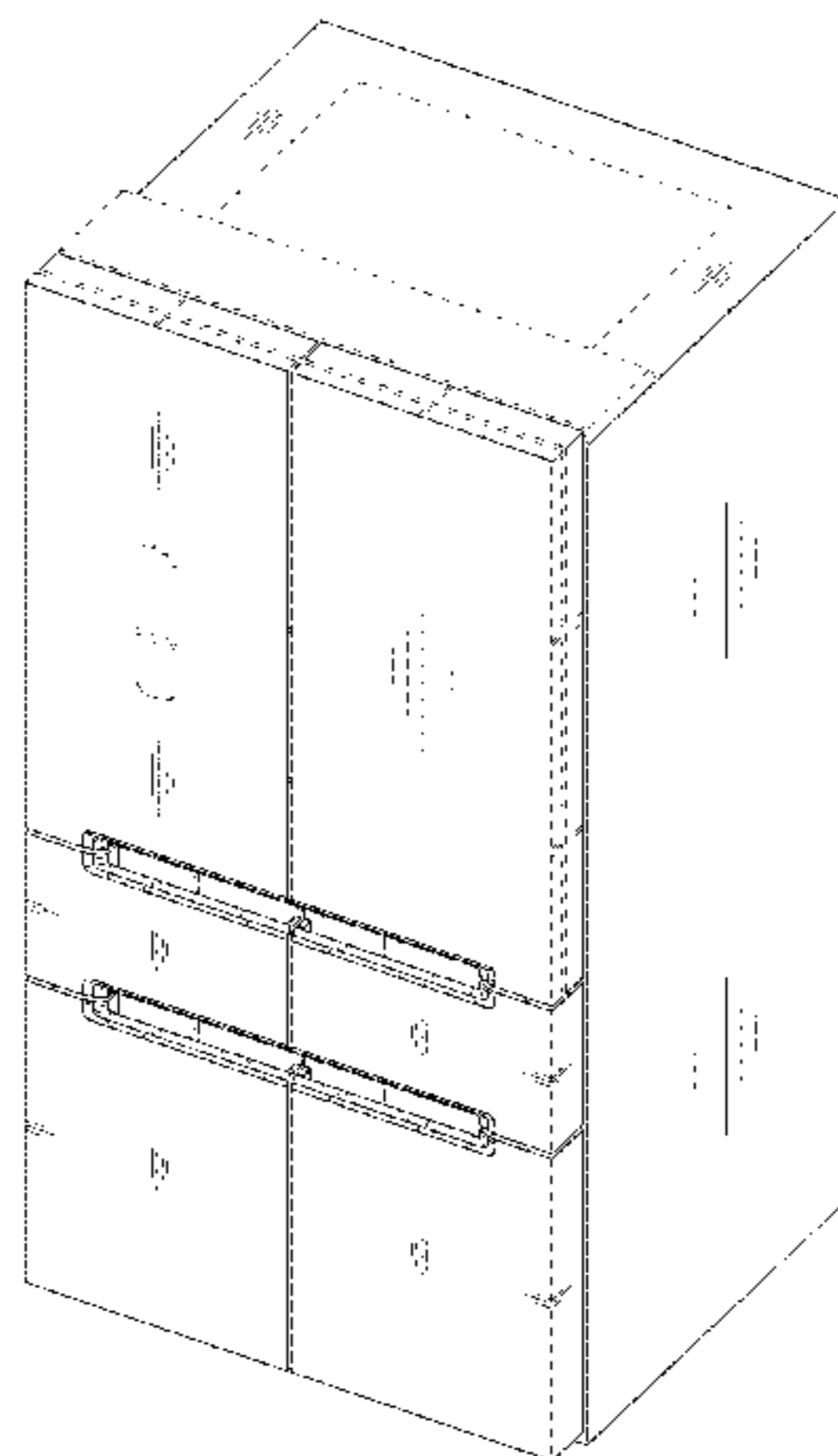
USPC ..... D15/79–91

**DESCRIPTION**

CPC ..... F25B 41/04; F25B 1/10; F25B 2400/13;  
F25B 2600/25; F25B 13/00; F25B  
2313/007; F25B 2313/0231; F25B  
2313/0253; F25B 2313/027; F25B  
2313/029; F25B 2313/0292; F25B  
2500/01; F25B 2500/06; F25B 2600/021;  
F25B 2600/0253; F25B 2600/0261; F25B  
2600/027; F25B 2600/2511; F25B  
2700/2106; F25B 30/02; F25B 31/004;

FIG. 1 is a front perspective view of a refrigerator showing our new design;  
FIG. 2 is a front view thereof;  
FIG. 3 is a rear view thereof;  
FIG. 4 is a left-side view thereof;  
FIG. 5 is a right-side view thereof;  
FIG. 6 is a top view thereof; and,  
FIG. 7 is a bottom view thereof.

(Continued)



The broken lines in the figures depict environmental subject matter and form no part of the claimed design.

**1 Claim, 7 Drawing Sheets**

FIG. 1

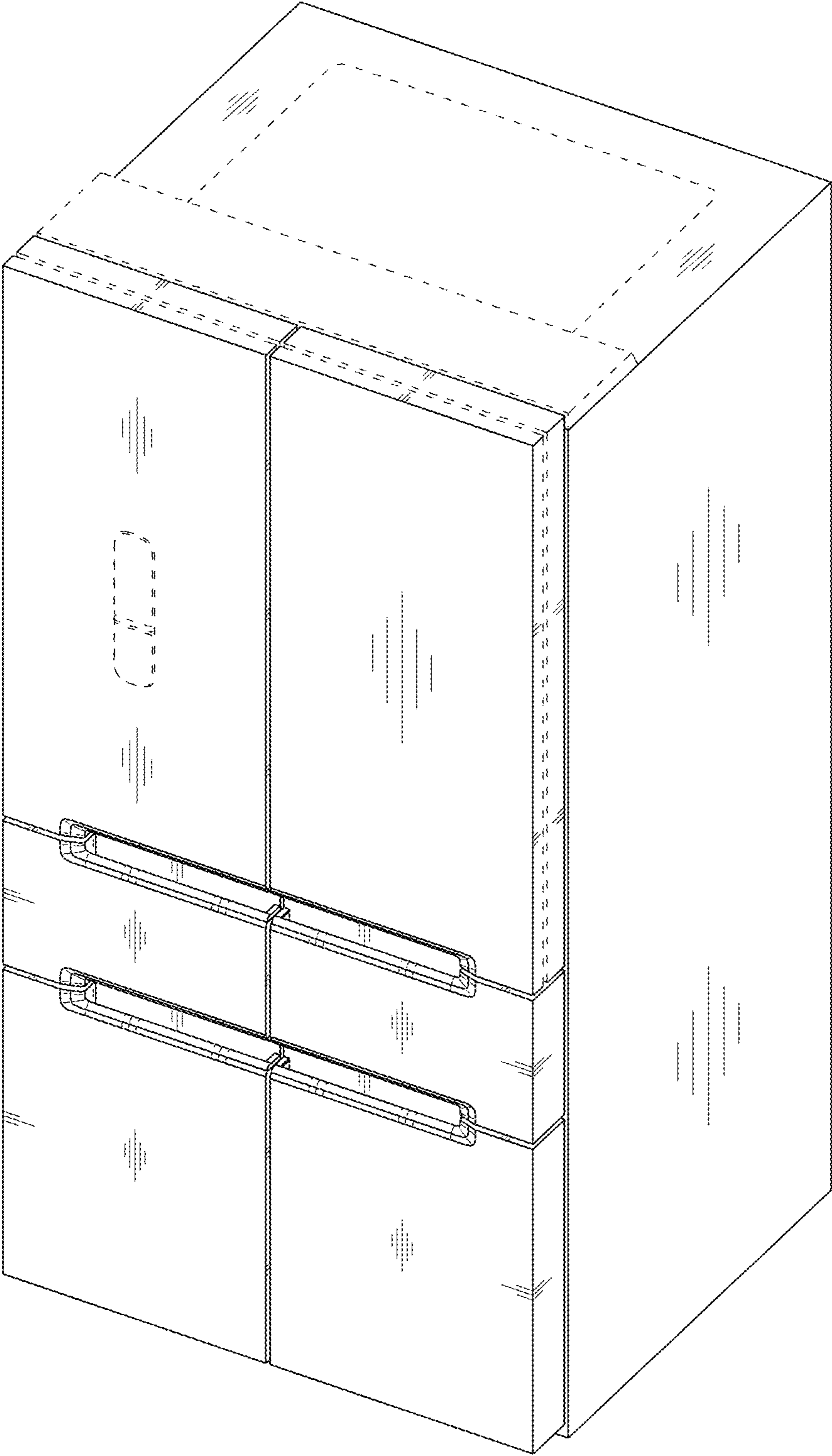


FIG. 2

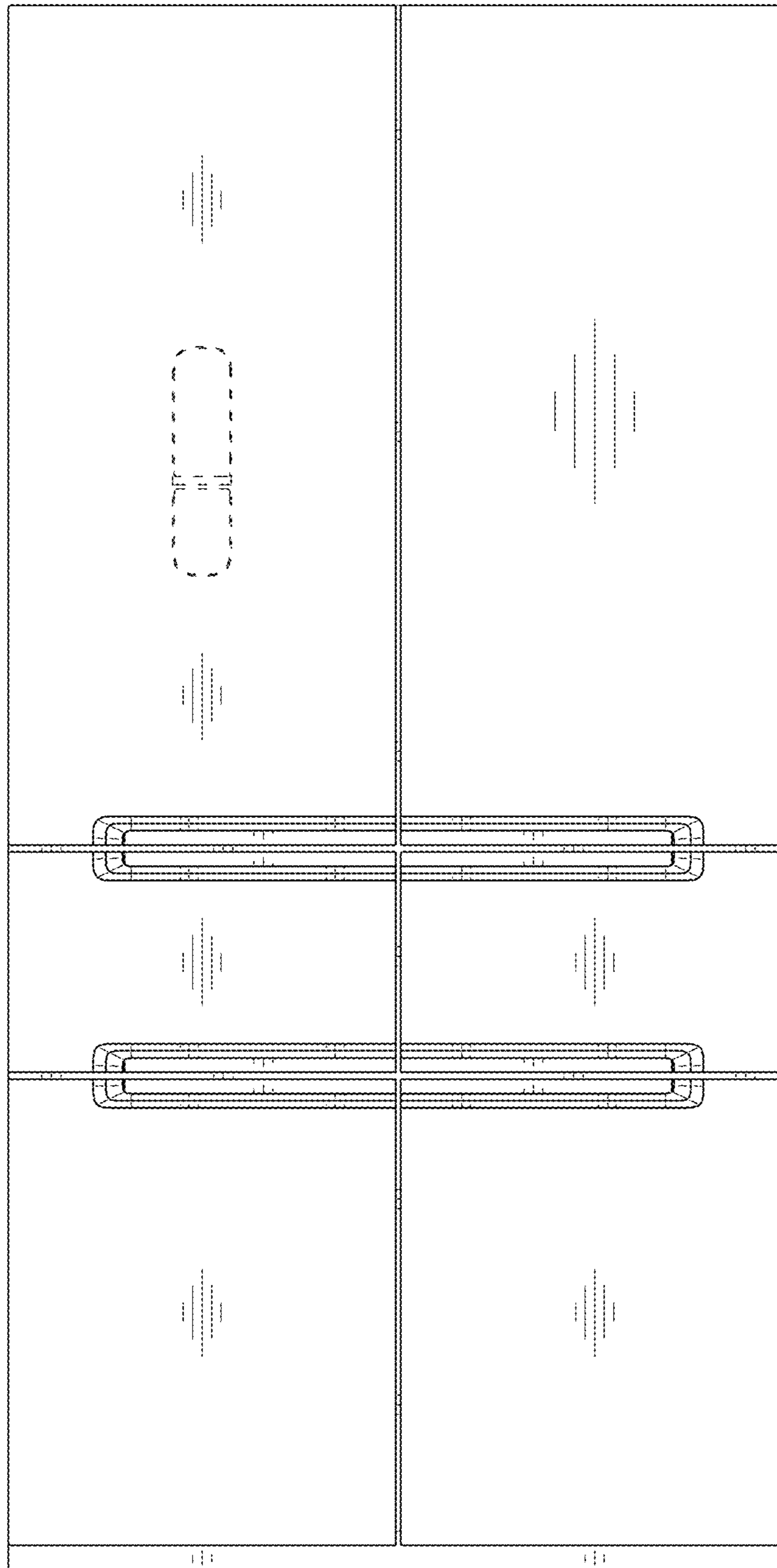


FIG. 3

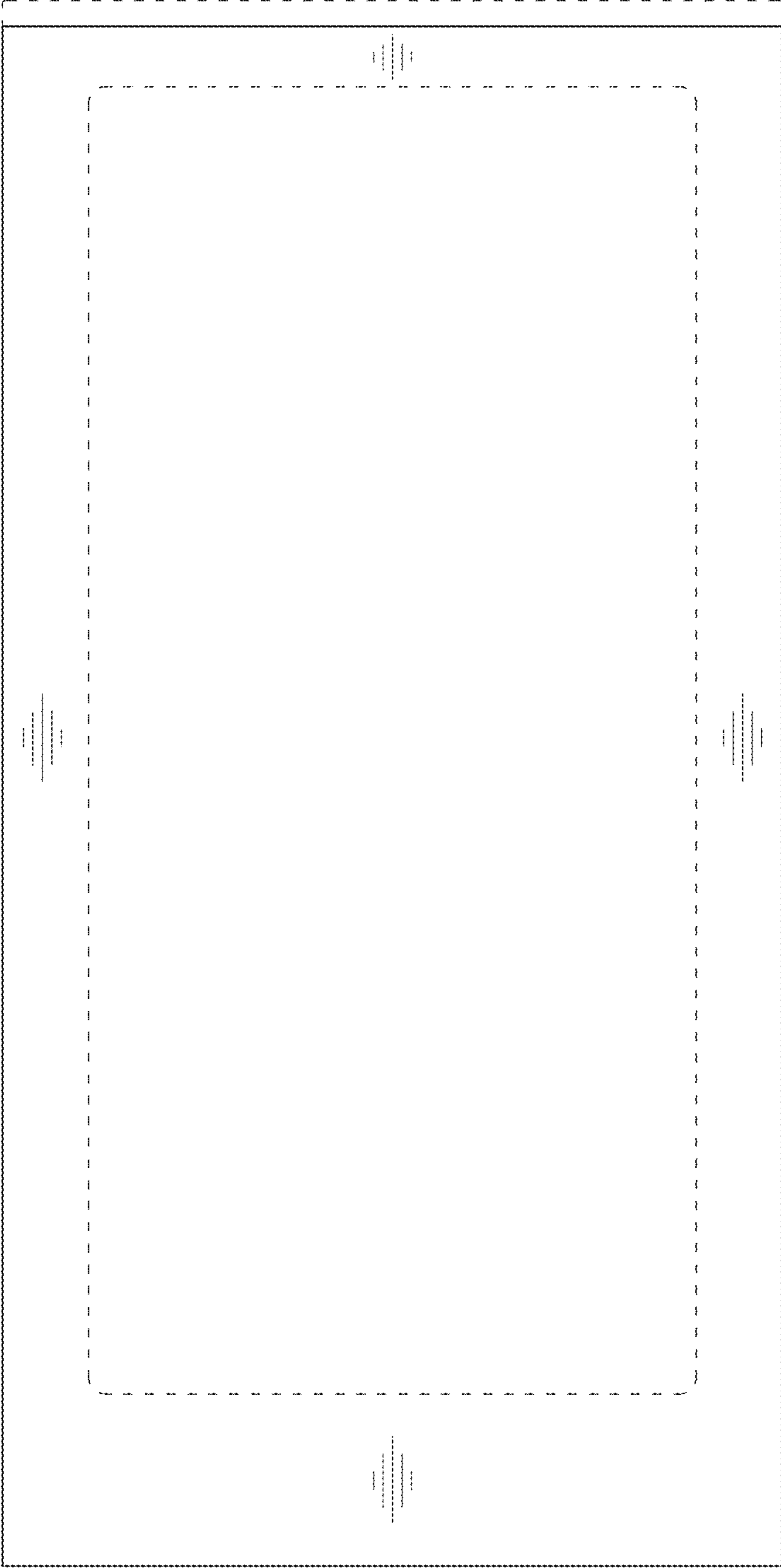


FIG. 4

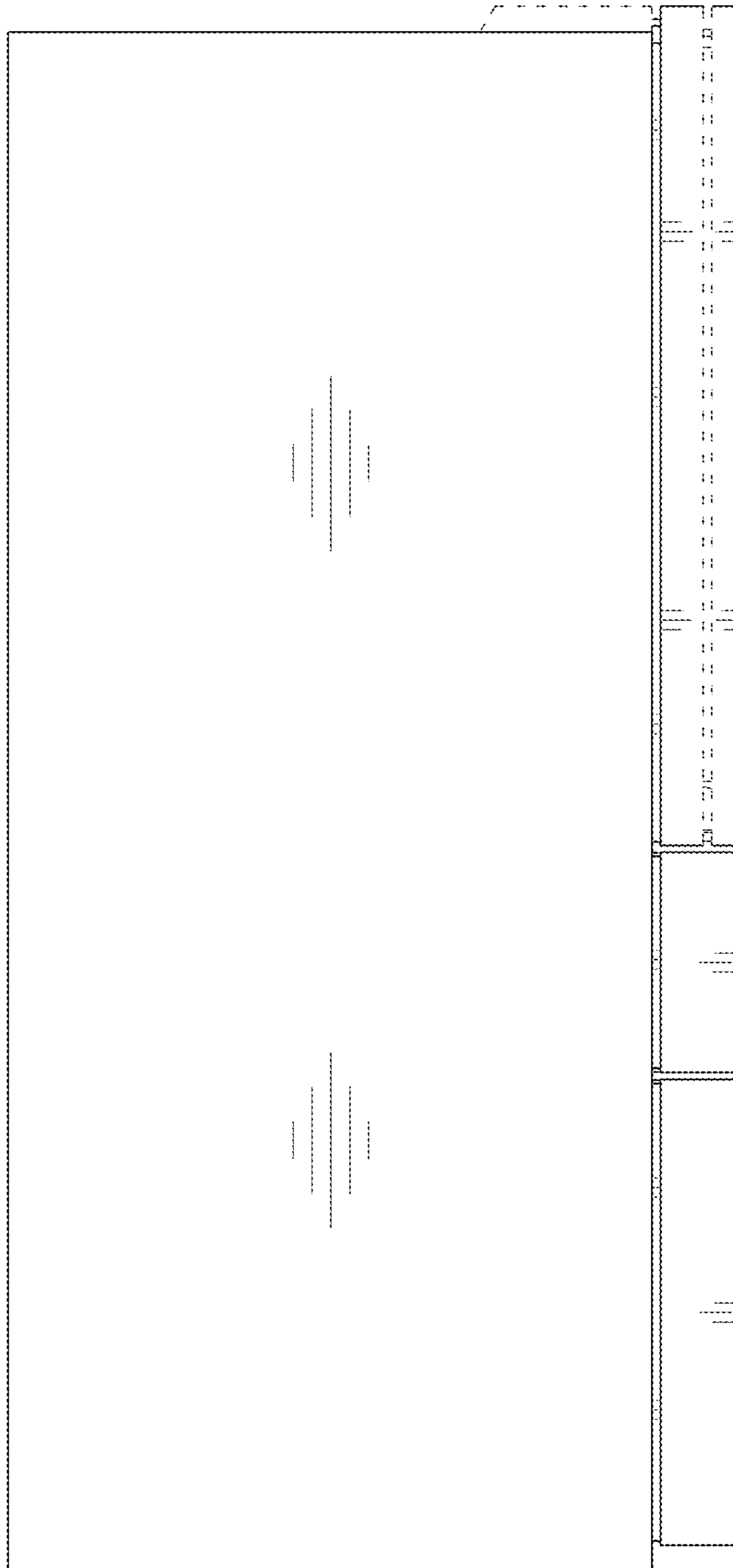


FIG. 5

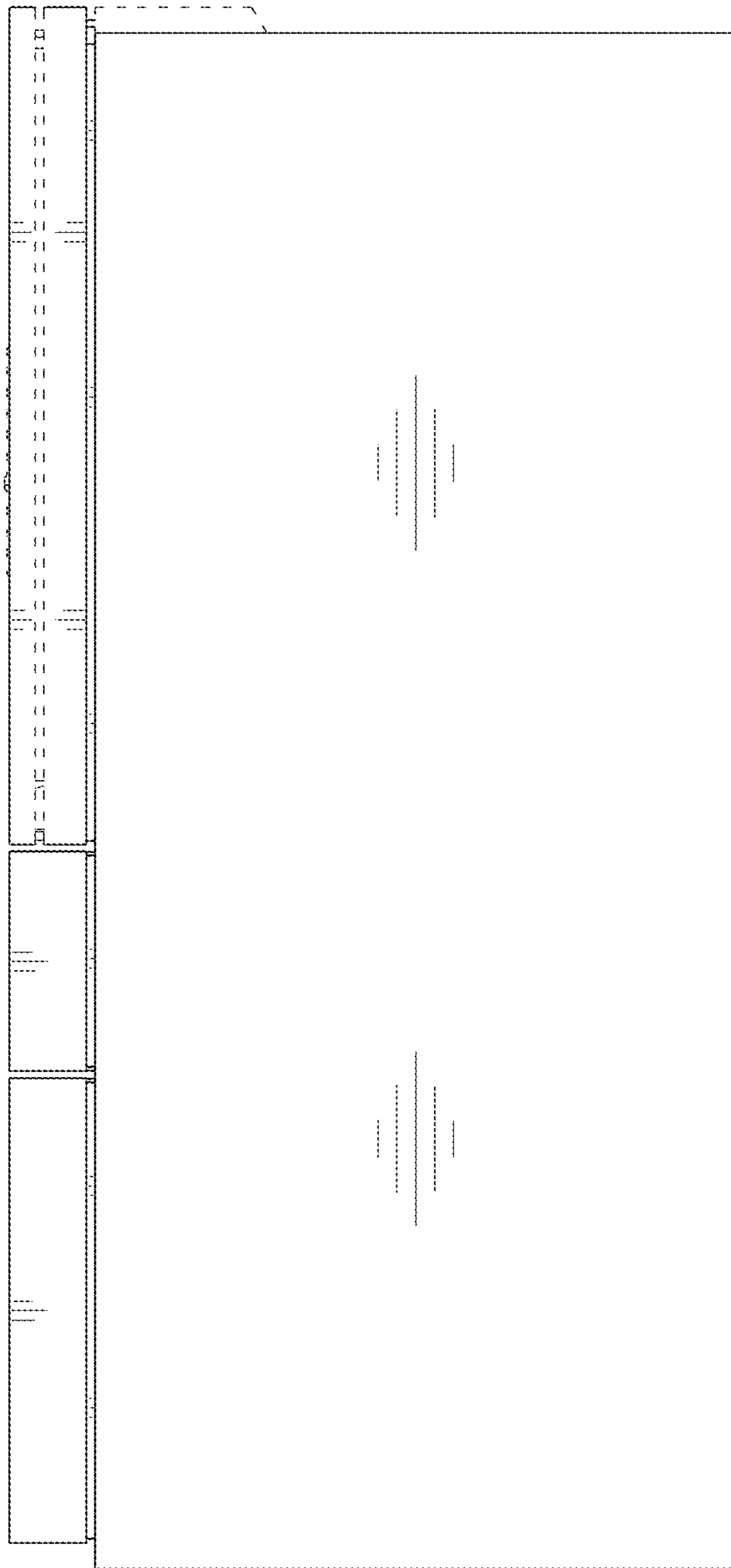


FIG. 6

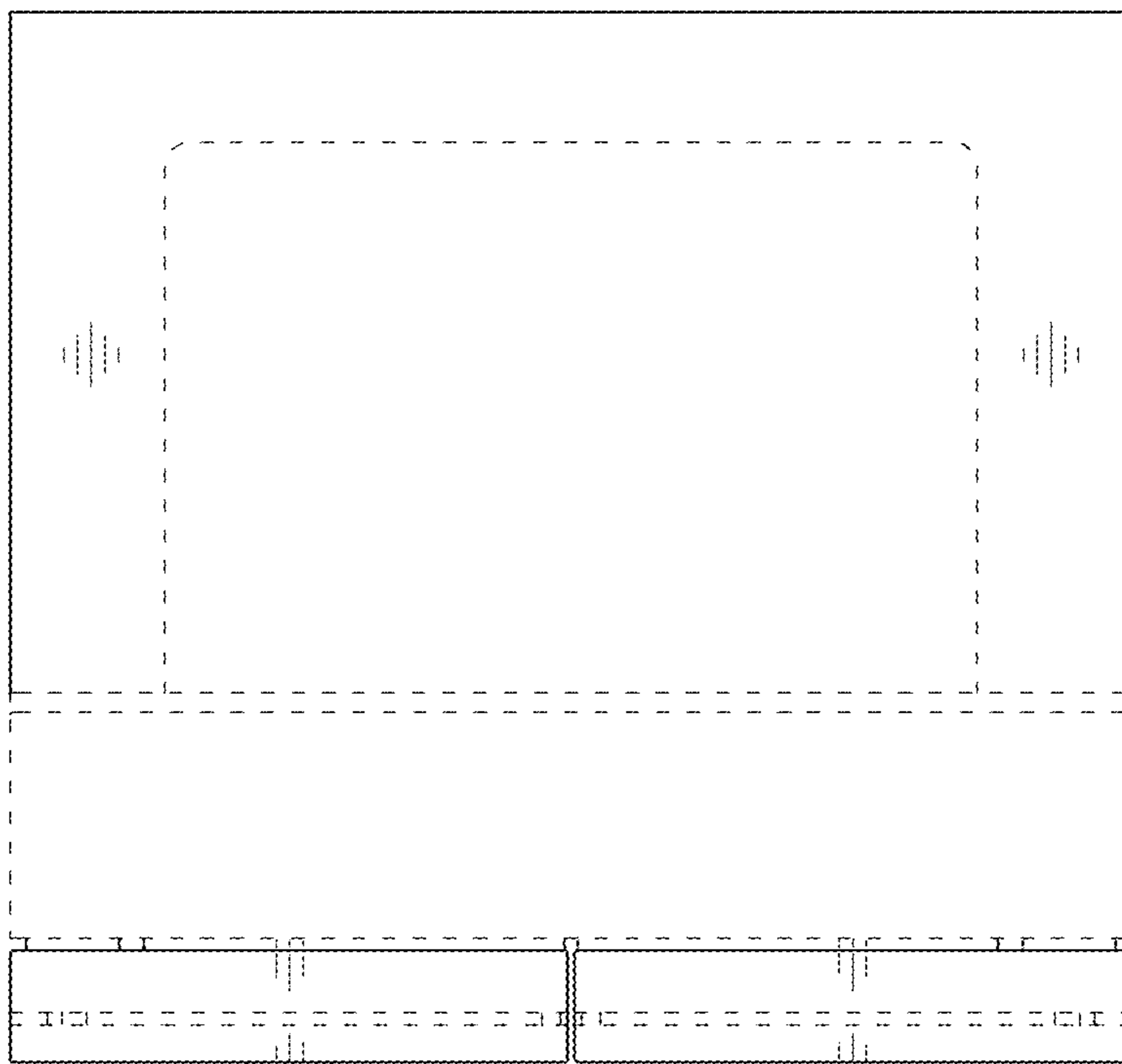




FIG. 7

