



US00D798341S

(12) **United States Design Patent** (10) **Patent No.:** **US D798,341 S**
Bond et al. (45) **Date of Patent:** **** Sep. 26, 2017**

(54) **TANDEM ICE CREAM MAKER**

(71) Applicant: **Nostalgia Products LLC**, Green Bay, WI (US)

(72) Inventors: **Gregg Bond**, Beverly Hills, CA (US);
Edward E. Boughton, III, Ventura, CA (US)

(73) Assignee: **NOSTALGIA PRODUCTS LLC**,
Green Bay, WI (US)

(**) Term: **15 Years**

(21) Appl. No.: **29/551,000**

(22) Filed: **Jan. 8, 2016**

(51) **LOC (10) Cl.** **15-07**

(52) **U.S. Cl.**
USPC **D15/82**

(58) **Field of Classification Search**
USPC D15/79-91; D7/307-308, 369-371
CPC F25C 5/005; F25C 2400/10; F25C 5/182;
F25C 1/00; F25C 1/04; F25C 2400/14;
F25C 5/007; F25C 5/18; F25C 1/10;
F25C 1/225; F25C 1/12; F25C 2305/022;
F25C 2400/04; F25C 2500/02; F25C
5/002; F25C 5/02; F25C 5/046; F25C
1/20; F25C 2500/06; F25C 1/18; F25C
2300/00; F25C 2305/00; F25C 2400/06;
F25C 2400/08; F25C 2400/12; F25C
2500/00; F25C 2700/04; F25C 2700/10;
F25C 2700/12; F25C 2700/14; F25C
5/12; F25C 5/187

See application file for complete search history.

(56) **References Cited**

U.S. PATENT DOCUMENTS

D105,303 S *	7/1937	Townsend	D15/82
D161,214 S *	12/1950	Bastian	D15/82
D168,316 S *	12/1952	Pulliam	D15/82
D188,078 S *	5/1960	Sims	D15/82
D238,206 S *	12/1975	Claxton	D15/82
D254,972 S *	5/1980	Rakocy	D15/82
D667,029 S *	9/2012	Lee	D15/82
D711,932 S *	8/2014	Kilduff	D15/82
D726,232 S *	4/2015	Cappelli	D15/82
D734,782 S *	7/2015	Steiner	D15/82

* cited by examiner

Primary Examiner — Ian Simmons
Assistant Examiner — Khawaja Anwar
(74) *Attorney, Agent, or Firm* — Blakely Sokoloff Taylor & Zafman LLP

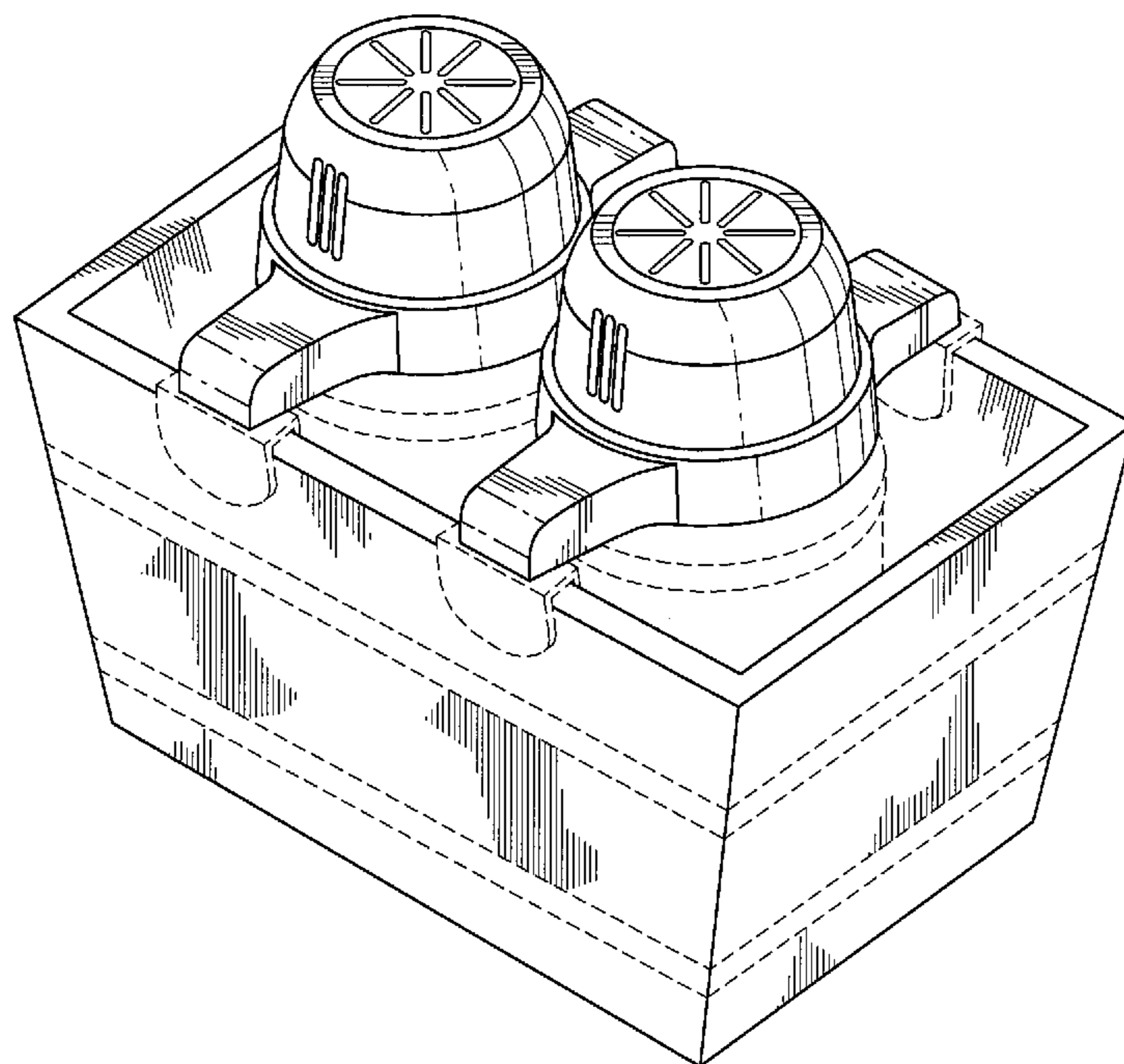
(57) **CLAIM**

The ornamental design for tandem ice cream maker, as shown and described.

DESCRIPTION

FIG. 1 is a front, side perspective view of our new design. FIG. 2 is a left side elevation view thereof. FIG. 3 is a right side elevation view thereof. FIG. 4 is a front elevation view thereof. FIG. 5 is a rear elevation view thereof. FIG. 6 is a top plan view thereof; and, FIG. 7 is a bottom plan view thereof. The broken lines shown in the drawings represent unclaimed environment and form no part of the claimed design.

1 Claim, 4 Drawing Sheets



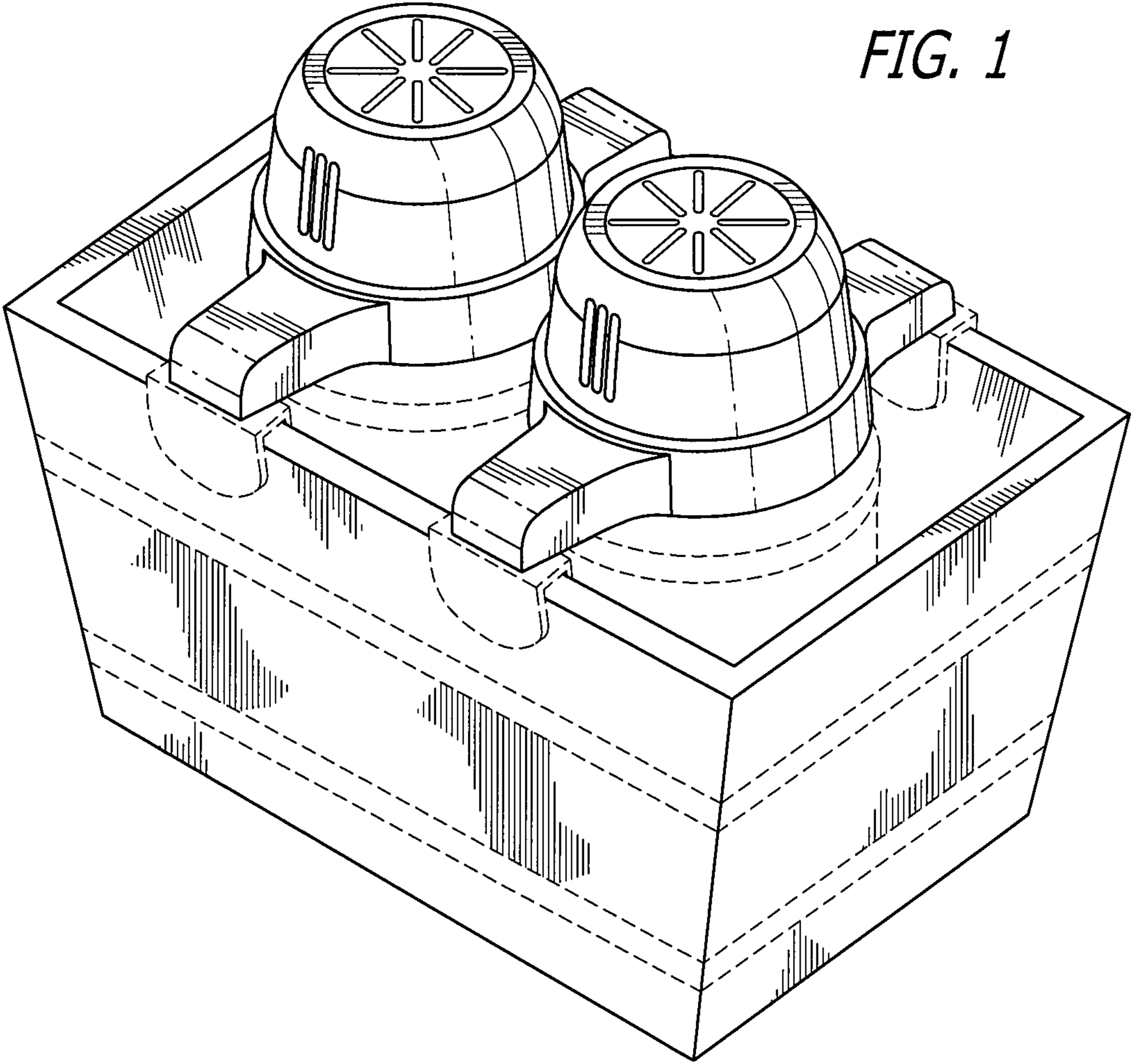
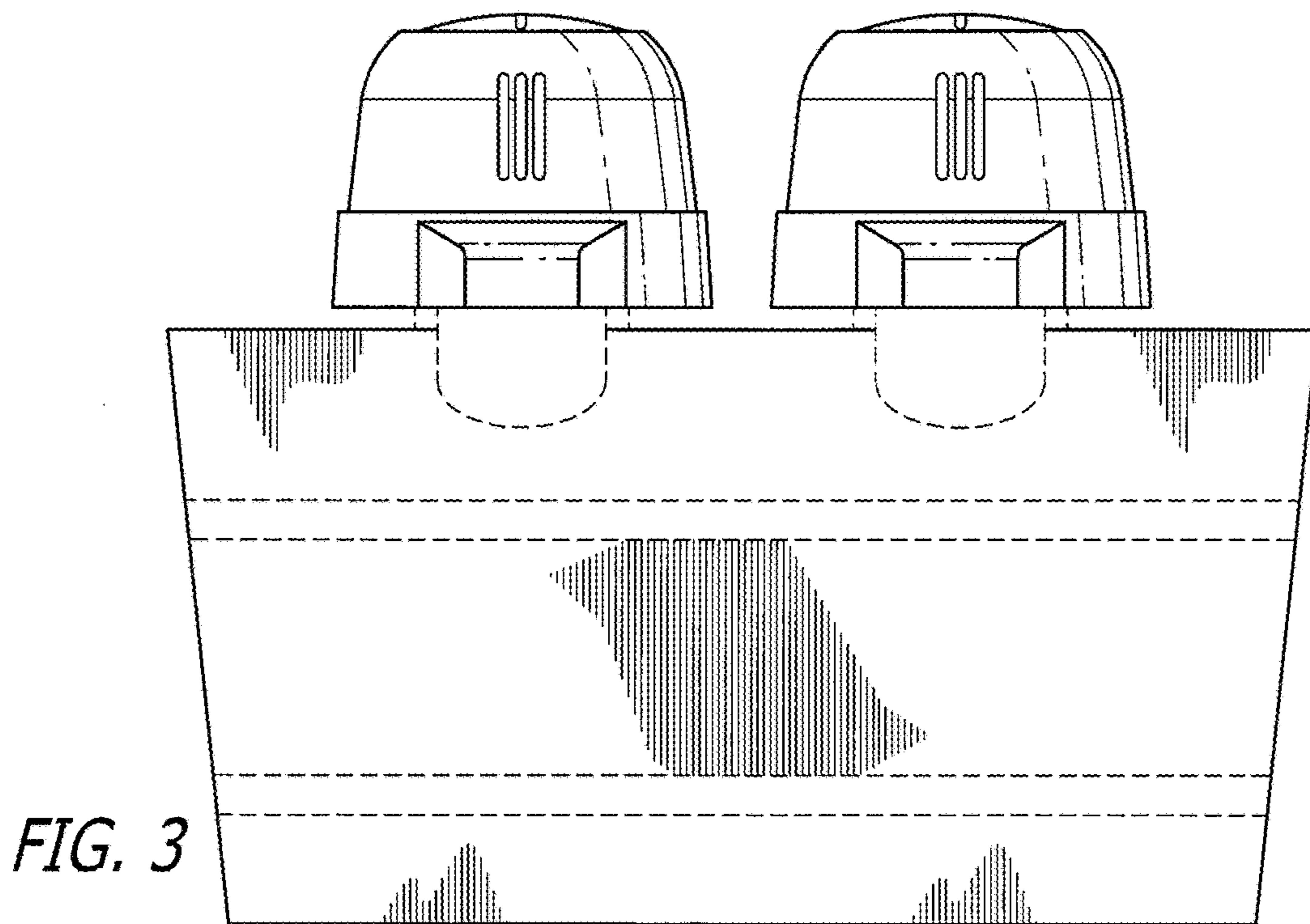
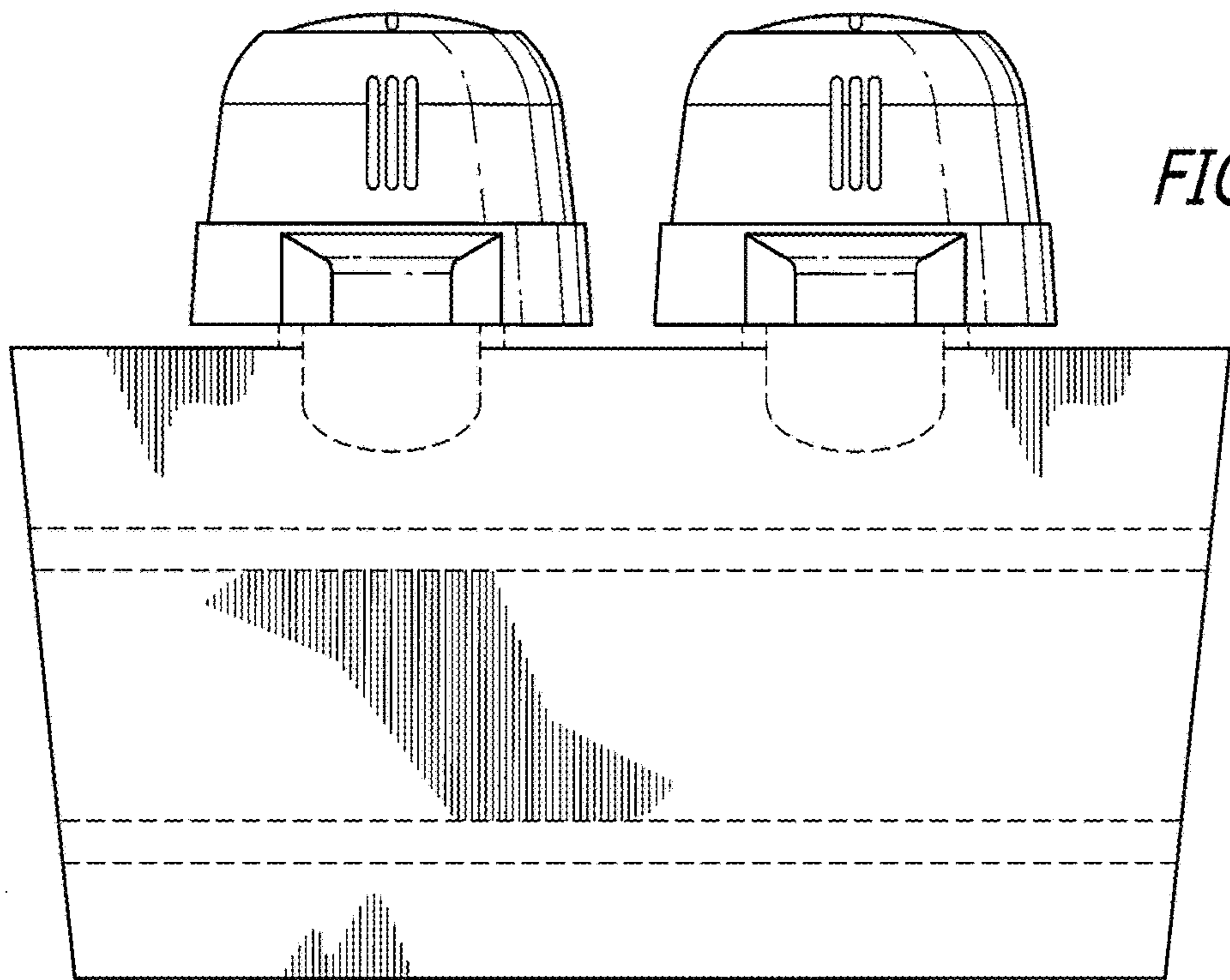


FIG. 1



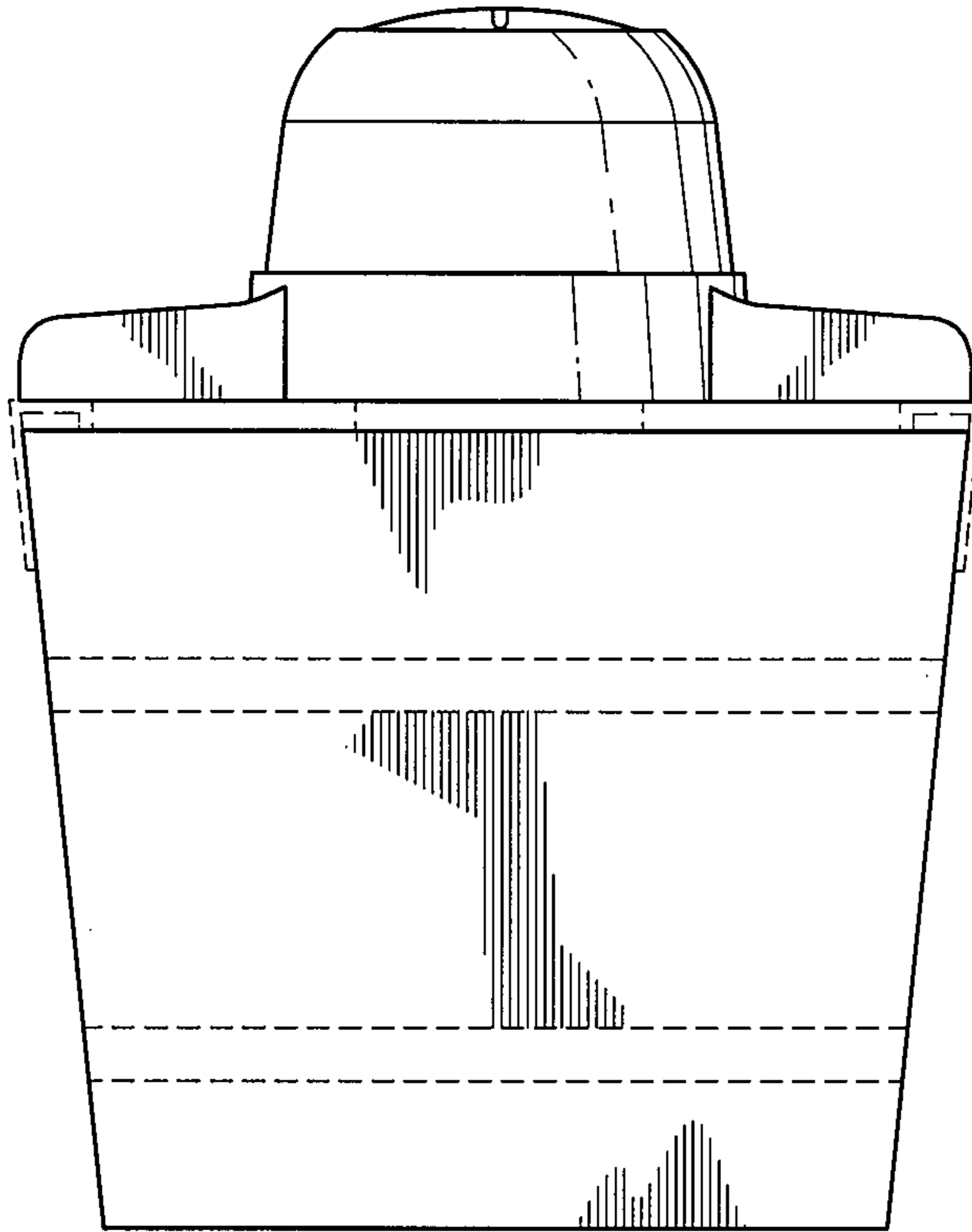


FIG. 4

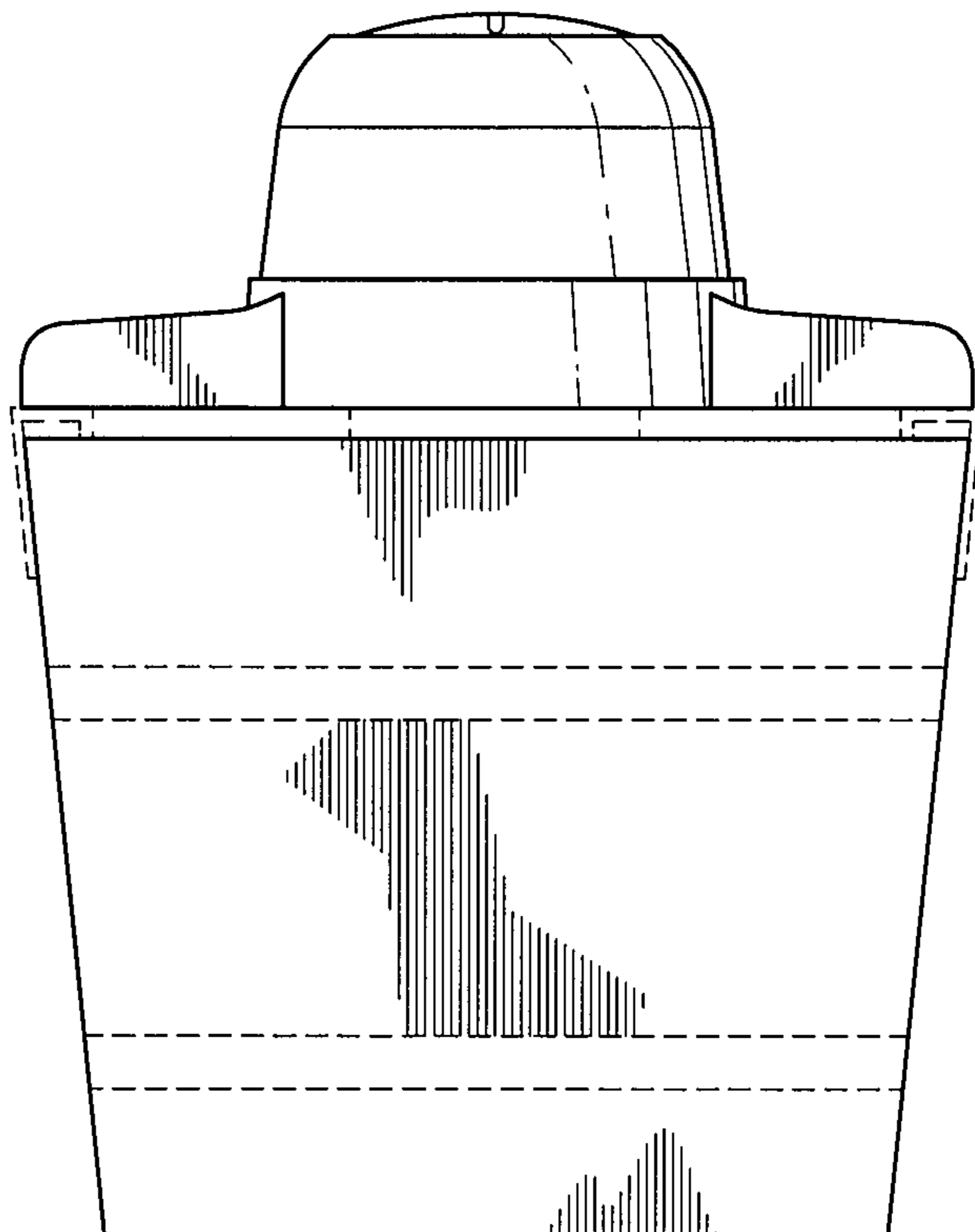


FIG. 5

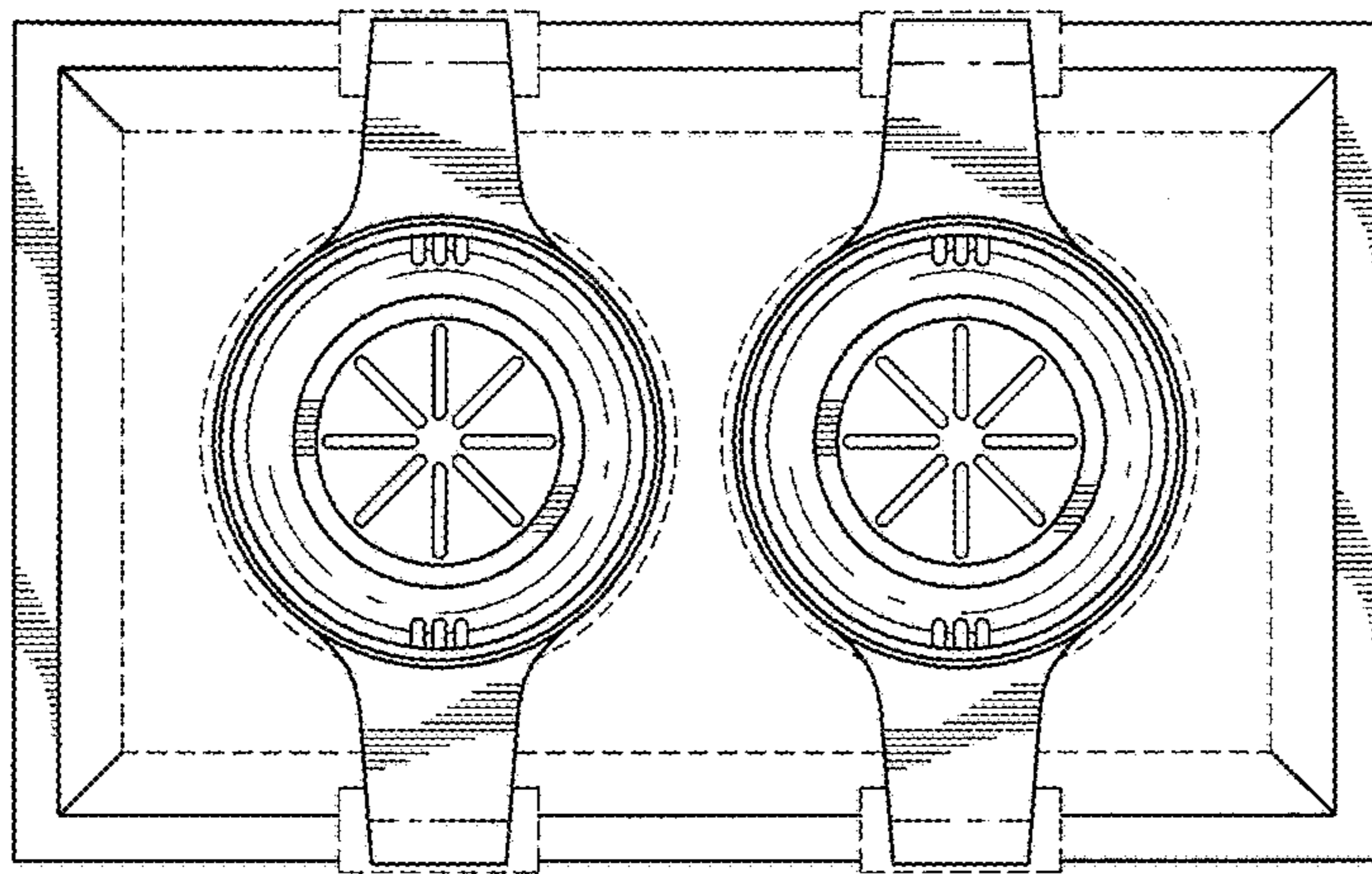


FIG. 6

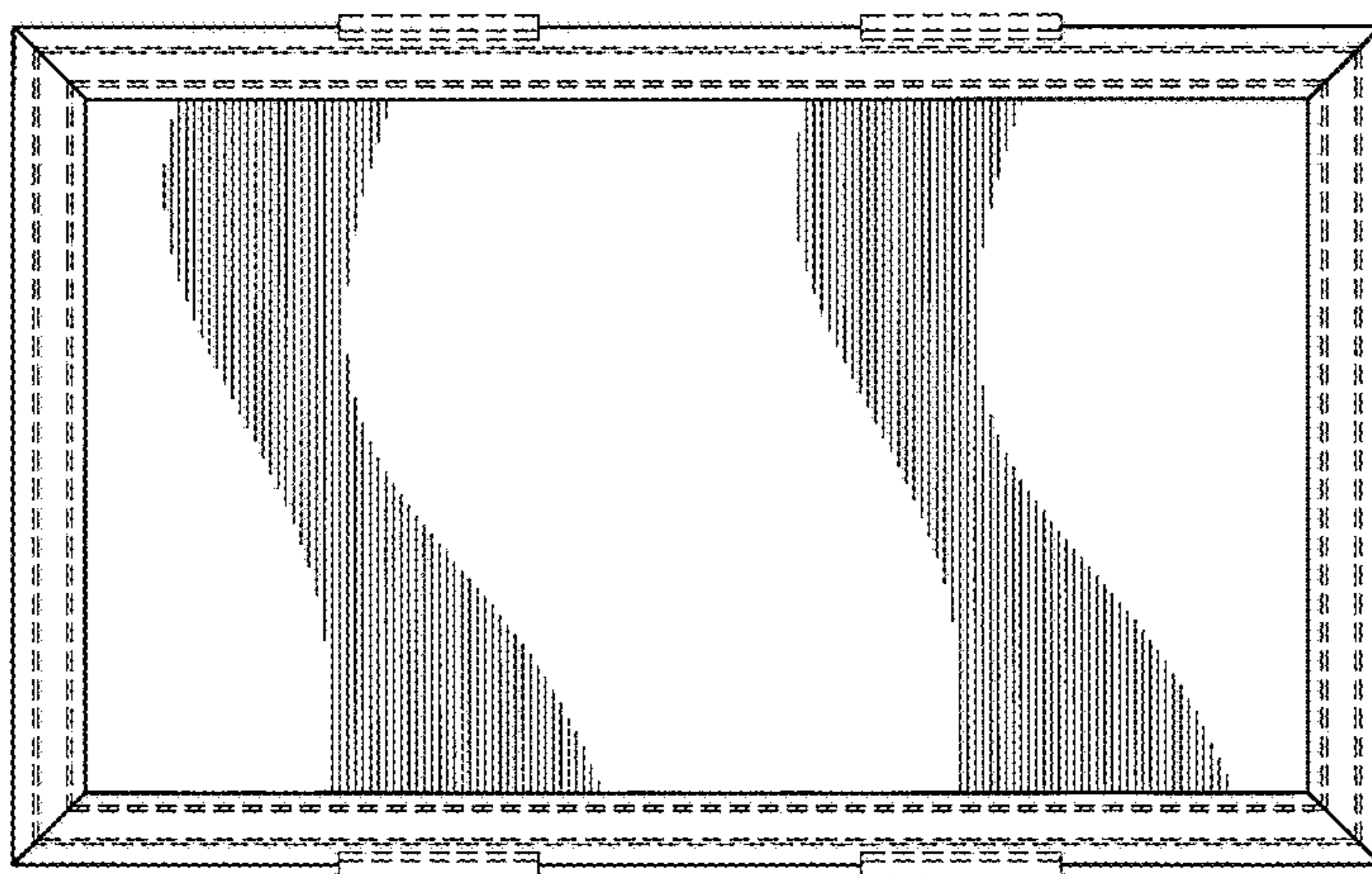


FIG. 7