



US00D798336S

(12) **United States Design Patent** (10) **Patent No.:** **US D798,336 S**  
**Maccubbin et al.** (45) **Date of Patent:** **\*\* Sep. 26, 2017**

(54) **DISPLAY SCREEN OR PORTION THEREOF WITH ICON**

7,499,040 B2 \* 3/2009 Zadesky ..... G06F 3/0338  
345/173

(71) Applicant: **General Electric Company**,  
Schenectady, NY (US)

7,574,672 B2 8/2009 Jobs et al.  
D602,033 S 10/2009 Vu et al.  
7,710,393 B2 \* 5/2010 Tsuk ..... G06F 1/1626  
345/156

(72) Inventors: **James Maccubbin**, San Ramon, CA  
(US); **Nick Myers**, San Ramon, CA  
(US); **Glen Richard Davis**, Concord,  
CA (US)

7,735,018 B2 6/2010 Bakhsh  
7,827,207 B2 11/2010 Takatsuka et al.  
(Continued)

**FOREIGN PATENT DOCUMENTS**

(73) Assignee: **General Electric Company**,  
Schenectady, NY (US)

KR 300726289 1/2014

**OTHER PUBLICATIONS**

(\*\*) Term: **15 Years**

U.S. "Notice of Allowance and Fee(s) Due", issued in connection  
with U.S. Appl. No. 29/509,750, dated Dec. 28, 2016, 12 pages.

(21) Appl. No.: **29/598,373**

(Continued)

(22) Filed: **Mar. 24, 2017**

**Related U.S. Application Data**

*Primary Examiner* — Barbara Fox  
*Assistant Examiner* — Kimberly Barnes

(62) Division of application No. 29/509,750, filed on Nov.  
20, 2014, now Pat. No. Des. 787,553.

(74) *Attorney, Agent, or Firm* — Hanley, Flight and  
Zimmerman, LLC

(51) **LOC (10) Cl.** ..... **14-04**

(57) **CLAIM**

(52) **U.S. Cl.**  
USPC ..... **D14/491**; D14/485

The ornamental design for a display screen or portion  
thereof with icon, as shown and described.

(58) **Field of Classification Search**  
USPC ..... D14/485-495; 715/702, 763, 704, 716,  
715/720, 727, 834

**DESCRIPTION**

CPC ..... G06F 3/04845; G06F 3/04847; G06F  
1/1692; G06F 3/04817; G06F 3/16; G06F  
3/165; G06F 3/03547; H04M 1/72558  
See application file for complete search history.

A portion of the disclosure of this patent document contains  
material which a claim for copyright is made. The copyright  
owner has no objection to the facsimile reproduction by  
anyone of the patent document or the patent disclosure, as it  
appears in the U.S. Patent and Trademark Office patent file  
or records, but reserves all other copyrights whatsoever.  
The FIGURE is a front view of a display screen or portion  
thereof with icon.

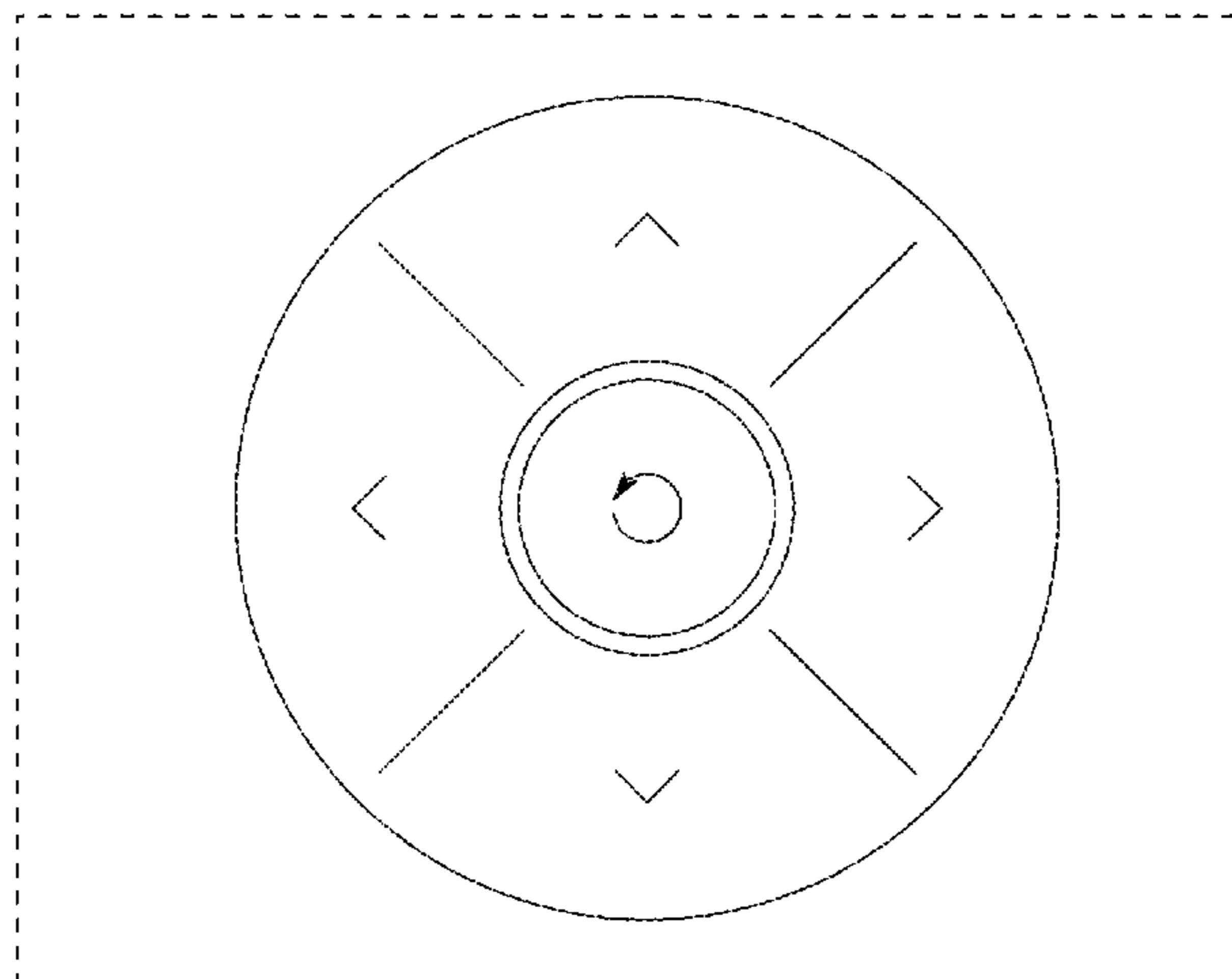
(56) **References Cited**

**U.S. PATENT DOCUMENTS**

6,593,914 B1 \* 7/2003 Nuovo ..... G06F 1/1626  
341/22  
6,762,778 B1 7/2004 Golibrodski et al.  
7,495,659 B2 \* 2/2009 Marriott ..... G06F 3/03547  
178/18.01

The broken lines depict portions of a display screen or  
portion thereof that form no part of the claimed design.

**1 Claim, 1 Drawing Sheet**



(56)

References Cited

U.S. PATENT DOCUMENTS

7,860,536 B2 12/2010 Jobs et al.  
 7,880,729 B2\* 2/2011 Lynch ..... G06F 3/0202  
 345/156  
 7,975,237 B2 7/2011 Hama et al.  
 8,125,461 B2\* 2/2012 Weber ..... G06F 1/1626  
 345/170  
 8,250,489 B2 8/2012 Lee et al.  
 8,291,332 B2 10/2012 Chaudhri et al.  
 8,416,198 B2\* 4/2013 Rathnam ..... G06F 3/03547  
 345/156  
 D691,637 S 10/2013 Deurwaarder  
 8,650,505 B2\* 2/2014 Anttila ..... G06F 3/0482  
 715/818  
 D716,318 S \* 10/2014 Fan ..... D14/485  
 D716,829 S 11/2014 Sik  
 8,934,226 B2\* 1/2015 Smith ..... G06F 1/1613  
 361/679.2  
 D724,618 S 3/2015 Shin  
 D728,616 S 5/2015 Gomez et al.  
 D733,184 S 6/2015 Park  
 9,069,584 B2 6/2015 Shelansky et al.  
 9,176,667 B2 11/2015 Yoon et al.  
 D746,854 S 1/2016 Shardlow et al.

D748,107 S 1/2016 Kim et al.  
 D748,645 S 2/2016 Kim et al.  
 D752,630 S 3/2016 Moon et al.  
 9,354,751 B2\* 5/2016 Fisher ..... G06F 3/0416  
 9,367,151 B2\* 6/2016 McKillop ..... G06F 3/03547  
 D765,669 S \* 9/2016 Shaw ..... D14/485  
 D787,553 S \* 5/2017 Maccubbin ..... D14/485  
 2007/0271528 A1\* 11/2007 Park ..... G06F 3/0482  
 715/810  
 2008/0088600 A1\* 4/2008 Prest ..... G06F 3/03547  
 345/173  
 2012/0194428 A1 8/2012 Kwon et al.  
 2013/0254714 A1 9/2013 Shin et al.  
 2014/0075311 A1 3/2014 Boettcher et al.  
 2014/0240265 A1 8/2014 Choi et al.  
 2015/0212719 A1 7/2015 Gottschlag et al.  
 2016/0283191 A1\* 9/2016 Lu ..... G06F 17/30752  
 2017/0003867 A1\* 1/2017 Lee ..... G04G 21/08

OTHER PUBLICATIONS

U.S. "Final Office action", issued in connection with U.S. Appl. No. 29/509,750, dated Oct. 6, 2016, 2 pages.  
 U.S. "Non-Final Office action", issued in connection with U.S. Appl. No. 29/509,750, dated Apr. 23 2016, 18 pages.

\* cited by examiner

