



US00D798331S

(12) **United States Design Patent** (10) **Patent No.:** **US D798,331 S**  
**Fong et al.** (45) **Date of Patent:** **\*\* Sep. 26, 2017**

(54) **DISPLAY SCREEN WITH ANIMATED GRAPHICAL USER INTERFACE**

(71) Applicant: **Google Inc.**, Mountain View, CA (US)

(72) Inventors: **Alena Rose Fong**, Fremont, CA (US);  
**Oisin Lavery**, San Francisco, CA (US);  
**Kristina Tiffany Eng**, Fremont, CA (US);  
**Alex Cook**, San Francisco, CA (US)

(73) Assignee: **Google Inc.**, Mountain View, CA (US)

(\*\*) Term: **15 Years**

(21) Appl. No.: **29/534,973**

(22) Filed: **Aug. 3, 2015**

(51) **LOC (10) Cl.** ..... **14-04**

(52) **U.S. Cl.**  
 USPC ..... **D14/488**

(58) **Field of Classification Search**

USPC ..... D14/485-495; 345/1.1, 1.2, 2.1-2.3, 3.1,  
 345/902; 715/763, 810, 836, 837, 846,  
 715/847, 977

CPC .... G06F 3/048; G06F 3/0481; G06F 3/04812;  
 G06F 3/04817; G06F 3/0482; G06F  
 3/0483; G06F 3/0484; G06F 3/04847;  
 G06F 3/0485; G06F 3/04855; G06F  
 3/04886; G06Q 30/00; H04N 5/00; H04N  
 5/08; H04N 5/14; H04N 5/222; H04N  
 5/225; H04N 5/232; H04N 5/445; H04N  
 5/44543; H04N 5/45; H04N 2005/44517;  
 H04N 2005/44521; H04N 2005/44526;  
 H04N 2005/4453; H04N 2005/44534;  
 H04N 2005/44539; H04N 2005/44547;  
 H04N 2005/44556; H04N 2005/4456;  
 H04N

(Continued)

(56) **References Cited**

U.S. PATENT DOCUMENTS

7,707,514 B2 4/2010 Forstall et al.  
 D637,604 S \* 5/2011 Brinda ..... D14/488  
 (Continued)

OTHER PUBLICATIONS

Patterson, Charles. "Invision Projects—Spaces iOS." dribbble.com. Jul. 19, 2016. Accessed Mar. 4, 2017. Available online at URL: <<https://dribbble.com/shots/2845710-Invision-Projects-Spaces-iOS>>.\*

(Continued)

*Primary Examiner* — Cathron Brooks

*Assistant Examiner* — Christian P McLean

(74) *Attorney, Agent, or Firm* — Finnegan, Henderson, Farabow, Garrett & Dunner LLP

(57) **CLAIM**

The ornamental design for a display screen with animated graphical user interface, as shown and described.

**DESCRIPTION**

FIG. 1 is a front view of a first image of a display screen with animated graphical user interface showing the new design; FIG. 2 is a front view of a second image of the first embodiment of FIG. 1;

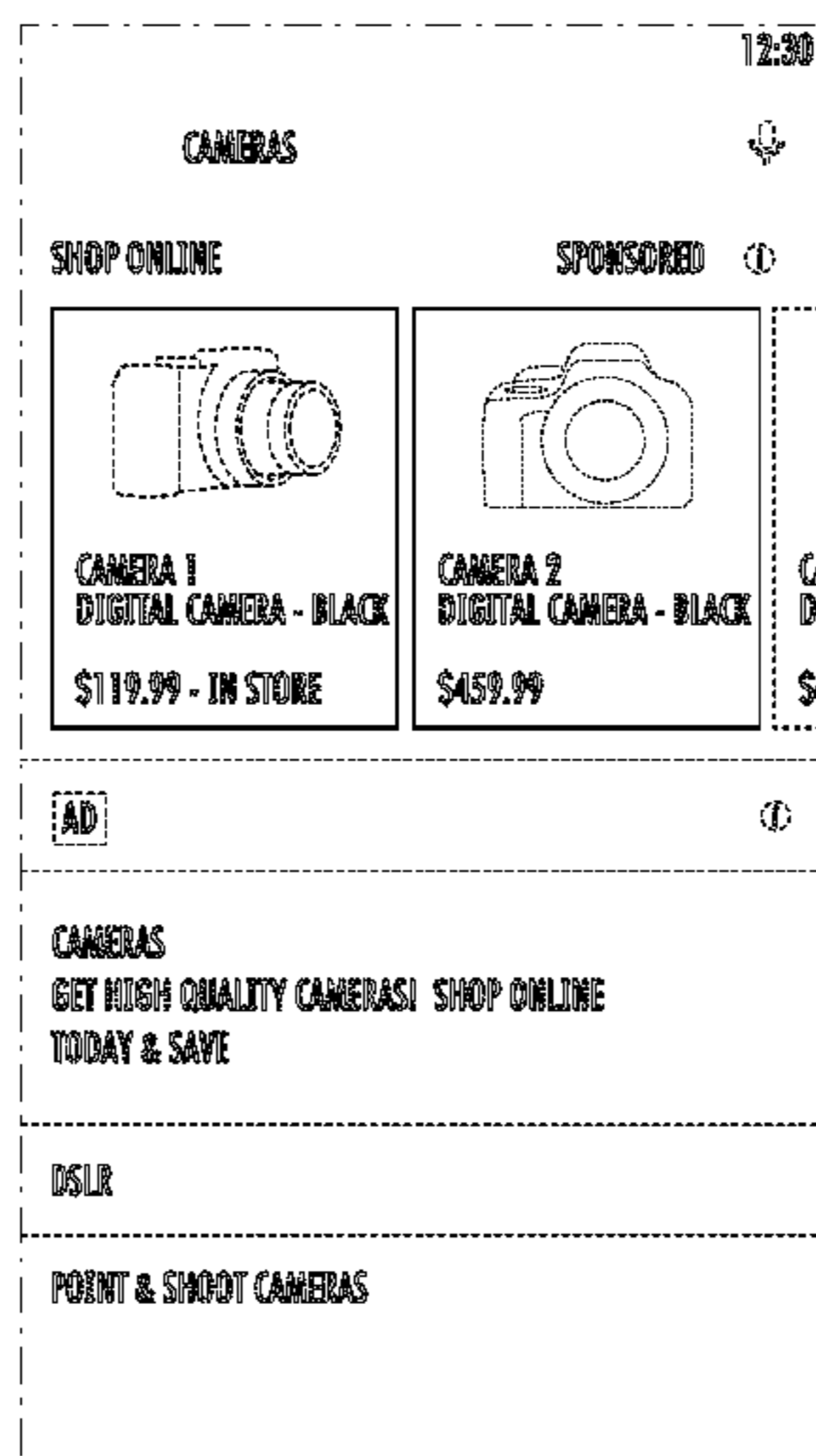
FIG. 3 is a front view of a third image of the first embodiment of FIG. 1; and,

FIG. 4 is a front view of a fourth image of the first embodiment of FIG. 1.

The appearance of the image transitions between the images shown in FIGS. 1-4. The process or period in which an image transitions to another image forms no part of the claimed design.

The dot-dash line showing the display screen illustrates the boundary of the claimed design. The remaining broken lines, including all text, illustrate portions of the graphical user interface. None of the broken lines form part of the claimed design.

**1 Claim, 4 Drawing Sheets**



(58) **Field of Classification Search**  
 CPC ..... 2005/44565; H04N 2005/44569; H04N  
 2005/44573; H04N 21/00; H04N 21/234;  
 H04N 21/431; H04N 21/4312; H04N  
 21/4314; H04N 21/4316  
 See application file for complete search history.

(56) **References Cited**

U.S. PATENT DOCUMENTS

D660,860 S 5/2012 Louch et al.  
 D687,840 S 8/2013 Arnold et al.  
 D688,676 S 8/2013 Okumura et al.  
 D688,690 S 8/2013 Garn et al.  
 D692,915 S \* 11/2013 Brinda ..... D14/488  
 D694,258 S \* 11/2013 Lee ..... D14/486  
 D695,776 S 12/2013 Edwards et al.  
 D695,780 S 12/2013 Edwards et al.  
 D701,227 S \* 3/2014 Lee ..... D14/486  
 D701,527 S \* 3/2014 Brinda ..... D14/488  
 D704,729 S 5/2014 Khanna  
 D710,879 S 8/2014 Elston et al.  
 D715,832 S 10/2014 Lee  
 D719,966 S 12/2014 Ebtekar et al.  
 D726,760 S 4/2015 Yokota et al.  
 D732,562 S 6/2015 Yan et al.  
 D732,570 S 6/2015 Choi et al.  
 D734,766 S 7/2015 Hyo-Sang et al.  
 D735,744 S 8/2015 Hwang et al.  
 D738,394 S 9/2015 Chaudhri et al.  
 D739,424 S 9/2015 Ku et al.  
 D746,866 S 1/2016 Memoria et al.  
 D750,644 S \* 3/2016 Bhutani ..... D14/485  
 D751,596 S \* 3/2016 Ng ..... D14/486  
 D753,158 S 4/2016 Mezzanotte  
 D753,709 S \* 4/2016 Kawanabe ..... D14/488  
 D754,169 S \* 4/2016 Kaplan ..... D14/486  
 D754,703 S 4/2016 Moon et al.  
 9,310,925 B2 4/2016 Fujii et al.  
 D757,058 S 5/2016 Kai  
 D758,387 S \* 6/2016 Xiang ..... D14/485  
 D759,666 S \* 6/2016 Kuhn ..... D14/485  
 D760,243 S 6/2016 Ostrowski et al.  
 9,389,723 B2 7/2016 Kim et al.  
 D762,711 S \* 8/2016 Zhang ..... D14/488  
 D763,906 S 8/2016 Seo et al.  
 D764,533 S 8/2016 Seo et al.  
 D764,534 S 8/2016 Seo et al.

D765,101 S \* 8/2016 Park ..... D14/485  
 D766,308 S \* 9/2016 Park ..... D14/487  
 D769,295 S \* 10/2016 Han ..... D14/486  
 D769,306 S \* 10/2016 Bowen ..... D14/488  
 D769,889 S \* 10/2016 Kuhn ..... D14/485  
 D769,892 S \* 10/2016 Anzures ..... D14/485  
 D771,073 S \* 11/2016 Choi ..... D14/485  
 D771,658 S \* 11/2016 Kim ..... D14/486  
 D772,901 S \* 11/2016 Cho ..... D14/486  
 D772,922 S \* 11/2016 Lee ..... D14/488  
 D773,487 S \* 12/2016 Colley ..... D14/485  
 D775,158 S \* 12/2016 Dong ..... D14/485  
 D776,692 S \* 1/2017 Armstrong ..... D14/486  
 D777,764 S \* 1/2017 Ball ..... D14/486  
 D784,374 S \* 4/2017 Hao ..... D14/486  
 D785,659 S \* 5/2017 Lee ..... D14/486  
 2001/0011365 A1 8/2001 Helfman  
 2007/0192739 A1 8/2007 Hunleth et al.  
 2009/0204920 A1 \* 8/2009 Beverley ..... G06T 3/4038  
 715/768  
 2009/0271723 A1 10/2009 Matsushima et al.  
 2009/0293007 A1 \* 11/2009 Duarte ..... G06F 3/0481  
 715/767  
 2010/0302249 A1 12/2010 Fowler et al.  
 2011/0061006 A1 3/2011 Song et al.  
 2013/0145295 A1 \* 6/2013 Bocking ..... G06F 3/017  
 715/764  
 2014/0063051 A1 \* 3/2014 Wu ..... G06F 17/212  
 345/619  
 2014/0258110 A1 \* 9/2014 Davis ..... G06Q 20/227  
 705/41  
 2014/0359517 A1 12/2014 Elings et al.  
 2014/0380239 A1 \* 12/2014 Kang ..... G06F 3/0482  
 715/810  
 2015/0121278 A1 \* 4/2015 Kim ..... G06F 3/04886  
 715/771  
 2015/0169166 A1 6/2015 Kim et al.  
 2016/0239854 A1 8/2016 Neal

OTHER PUBLICATIONS

Leung, Leo. "ToFind—Transition Test." dribbble.com. Jan. 31, 2016. Accessed Mar. 4, 2017. Available online at URL: <<https://dribbble.com/shots/2493845-ToFind-Transition-Test>>.\*  
 U.S. Appl. No. 29/534,978; Display Screen with Animated User Interface; Alena Fong et al; filed Aug. 3, 2015.

\* cited by examiner

12:30

CAMERAS

SHOP ONLINE SPONSORED

 <p>CAMERA 1 DIGITAL CAMERA - BLACK \$119.99 - IN STORE</p>	 <p>CAMERA 2 DIGITAL CAMERA - BLACK \$459.99</p>	CA DI \$6
---	--	-----------------

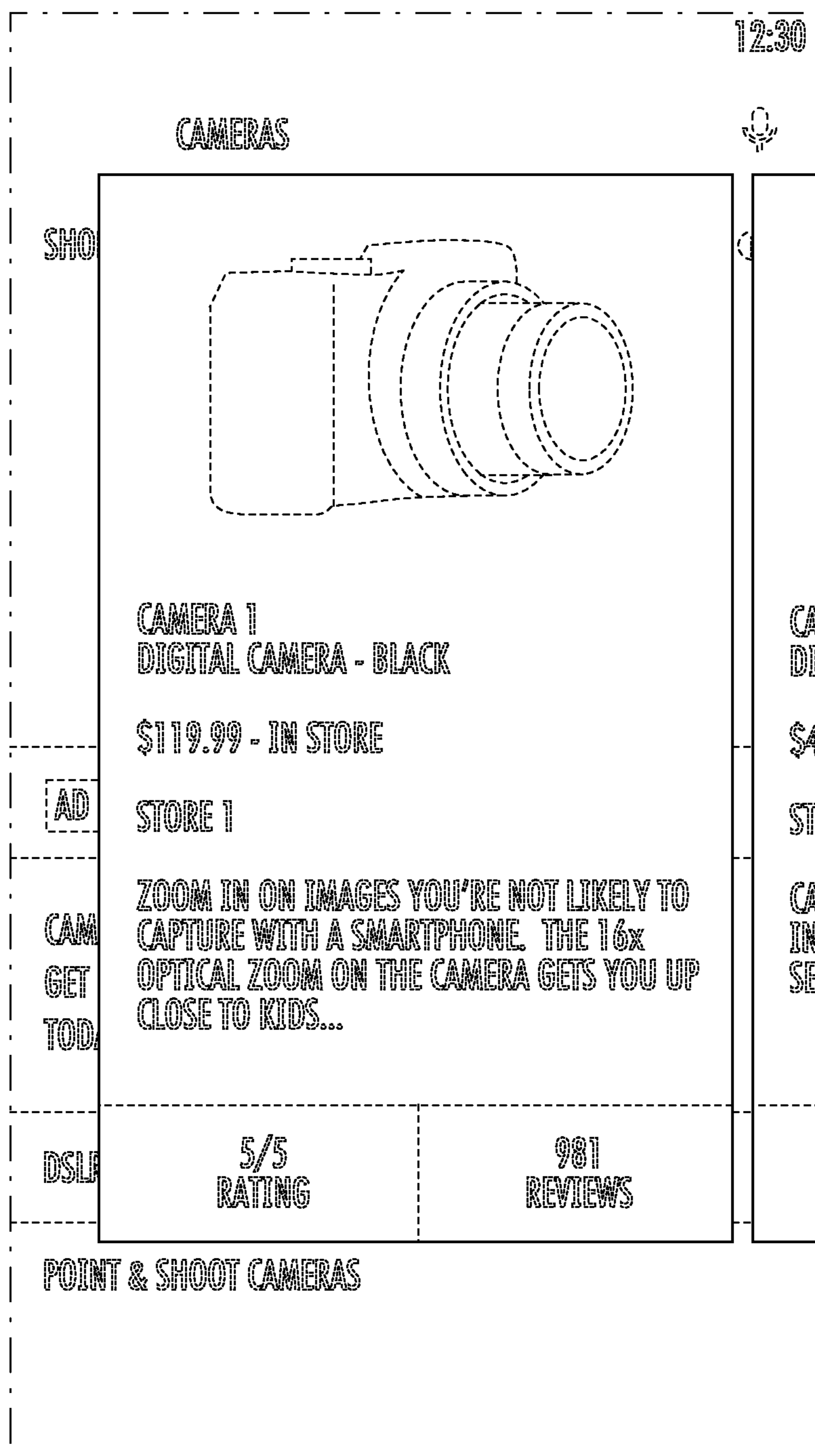
AD

CAMERAS  
GET HIGH QUALITY CAMERAS! SHOP ONLINE  
TODAY & SAVE

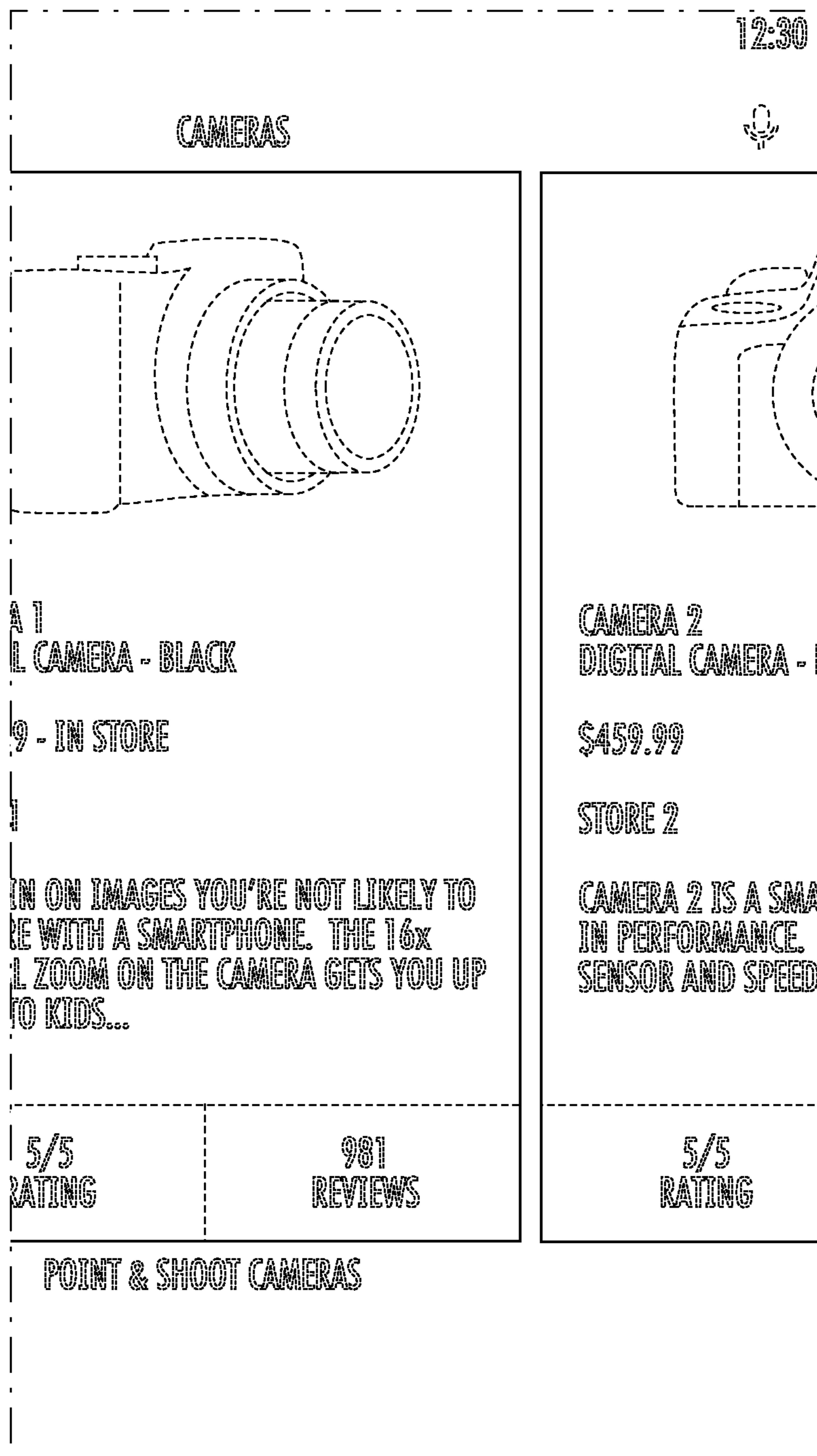
DSLR

POINT & SHOOT CAMERAS

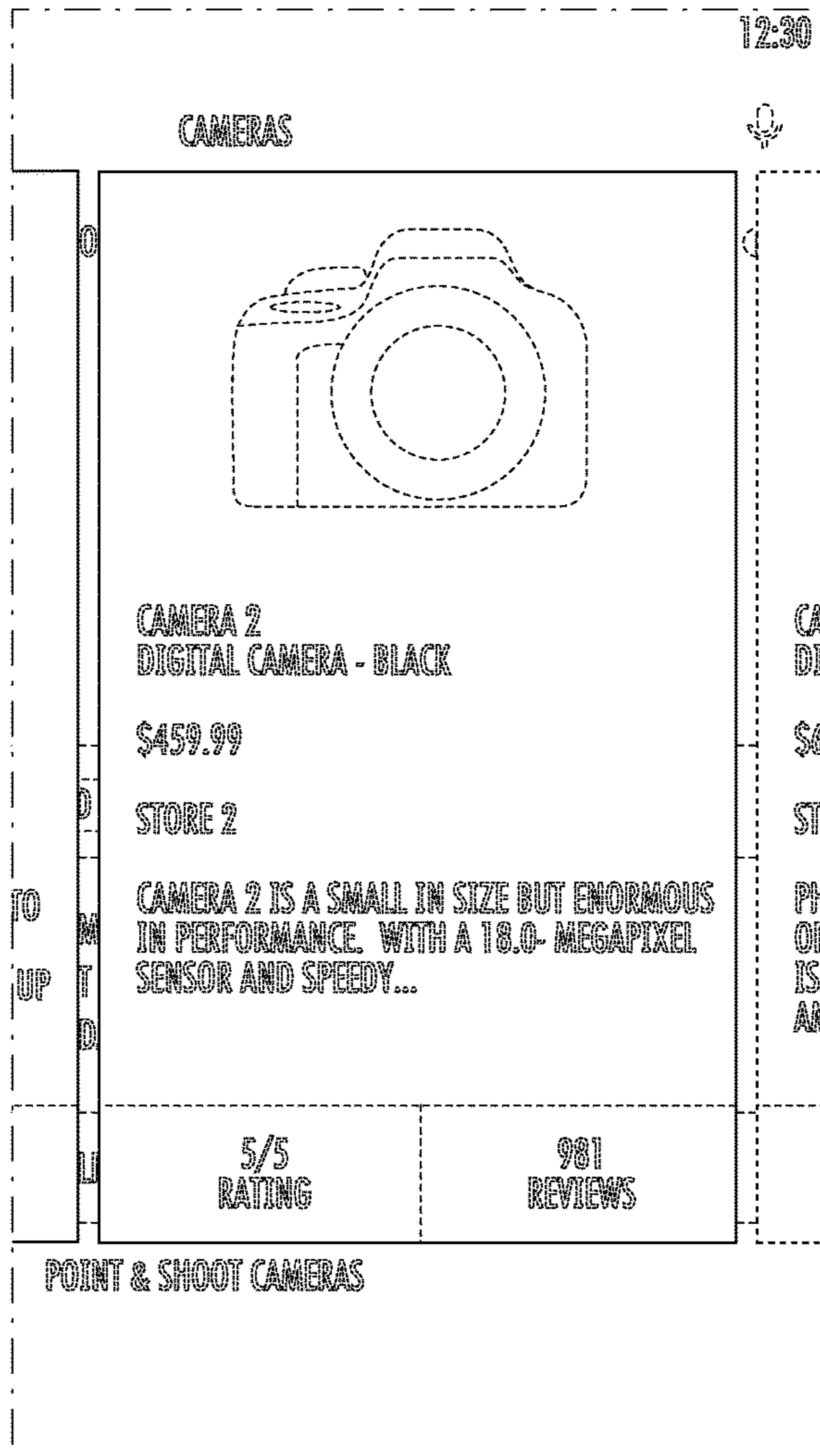
**FIG. 1**



**FIG. 2**



**FIG. 3**



**FIG. 4**