



US00D798308S

(12) **United States Design Patent** (10) **Patent No.:** **US D798,308 S**  
**Tzeng et al.** (45) **Date of Patent:** **\*\* Sep. 26, 2017**

(54) **DATA ACCESSING DEVICE**  
(71) Applicant: **Kingston Digital, Inc.**, Fountain Valley, CA (US)  
(72) Inventors: **Guan-Hua Tzeng**, Hsinchu (TW); **Yu-kuo Huang**, Hsinchu (TW); **Peter Leekuo Chou**, Fountain Valley, CA (US)  
(73) Assignee: **Kingston Digital, Inc.**, Fountain Valley, CA (US)  
(\*\*) Term: **15 Years**  
(21) Appl. No.: **29/572,683**  
(22) Filed: **Jul. 29, 2016**  
(51) **LOC (10) Cl.** ..... **14-03**  
(52) **U.S. Cl.**  
USPC ..... **D14/480.5**  
(58) **Field of Classification Search**  
USPC ..... D14/435.1, 480.1-480.7  
CPC ..... H05K 5/0278; G06K 19/07732  
See application file for complete search history.

D706,277 S \* 6/2014 Fukuoka ..... D14/480.1  
D706,278 S \* 6/2014 Fukuoka ..... D14/480.5  
D711,891 S \* 8/2014 Emami ..... D14/480.5  
D745,874 S \* 12/2015 Huang ..... D14/480.1  
D754,138 S \* 4/2016 Otsuka ..... D14/480.1  
D754,139 S \* 4/2016 Billington ..... D14/480.1  
2014/0211407 A1\* 7/2014 Huang ..... G06K 19/07732  
361/679.32

\* cited by examiner

*Primary Examiner* — Angela J Lee

(74) *Attorney, Agent, or Firm* — Skaar Ulbrich Macari, P.A.

(57) **CLAIM**

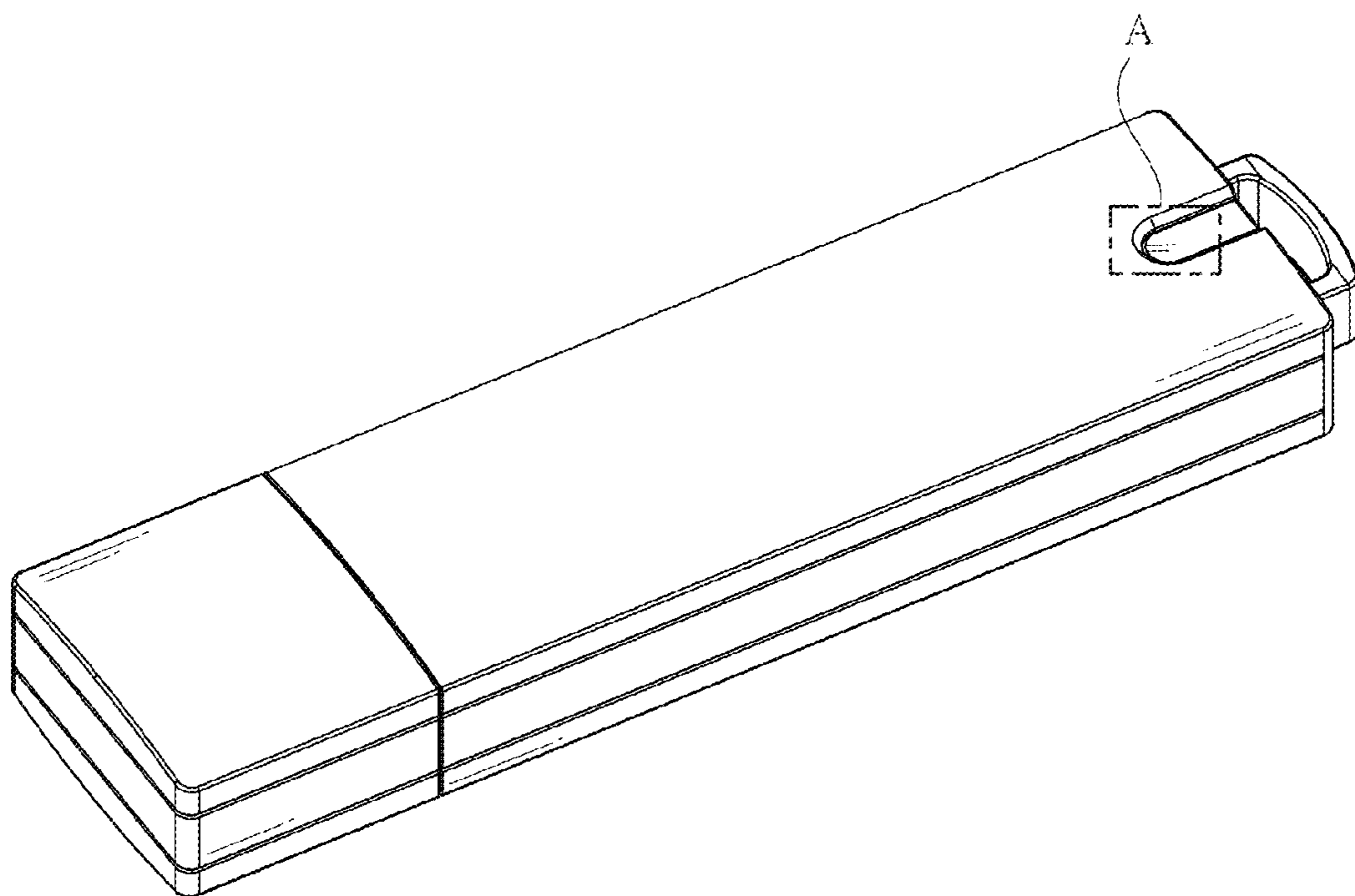
The ornamental design for a data accessing device, as shown and described.

**DESCRIPTION**

FIG. 1 is a perspective view of a data accessing device showing the claimed design;  
FIG. 2 is another perspective view of FIG. 1;  
FIG. 3 is a front elevational view of FIG. 1;  
FIG. 4 is a rear elevational view of FIG. 1;  
FIG. 5 is a left side elevational view of FIG. 1;  
FIG. 6 is a right side elevational view of FIG. 1;  
FIG. 7 is a top plan view of FIG. 1;  
FIG. 8 is a bottom plan view of FIG. 1;  
FIG. 9 is an enlarged view of the portion indicated by the square A of FIG. 1; and,  
FIG. 10 is an enlarged view of the portion indicated by the square B of FIG. 2.

**1 Claim, 7 Drawing Sheets**

(56) **References Cited**  
U.S. PATENT DOCUMENTS  
D511,519 S \* 11/2005 Bone ..... D14/480.1  
D537,820 S \* 3/2007 Hsu ..... D14/480.1  
D583,374 S \* 12/2008 Otsuka ..... D14/480.5  
D671,123 S \* 11/2012 Ni ..... D14/480.1  
D675,630 S \* 2/2013 Ni ..... D14/480.1  
D692,903 S \* 11/2013 Lin ..... D14/480.7



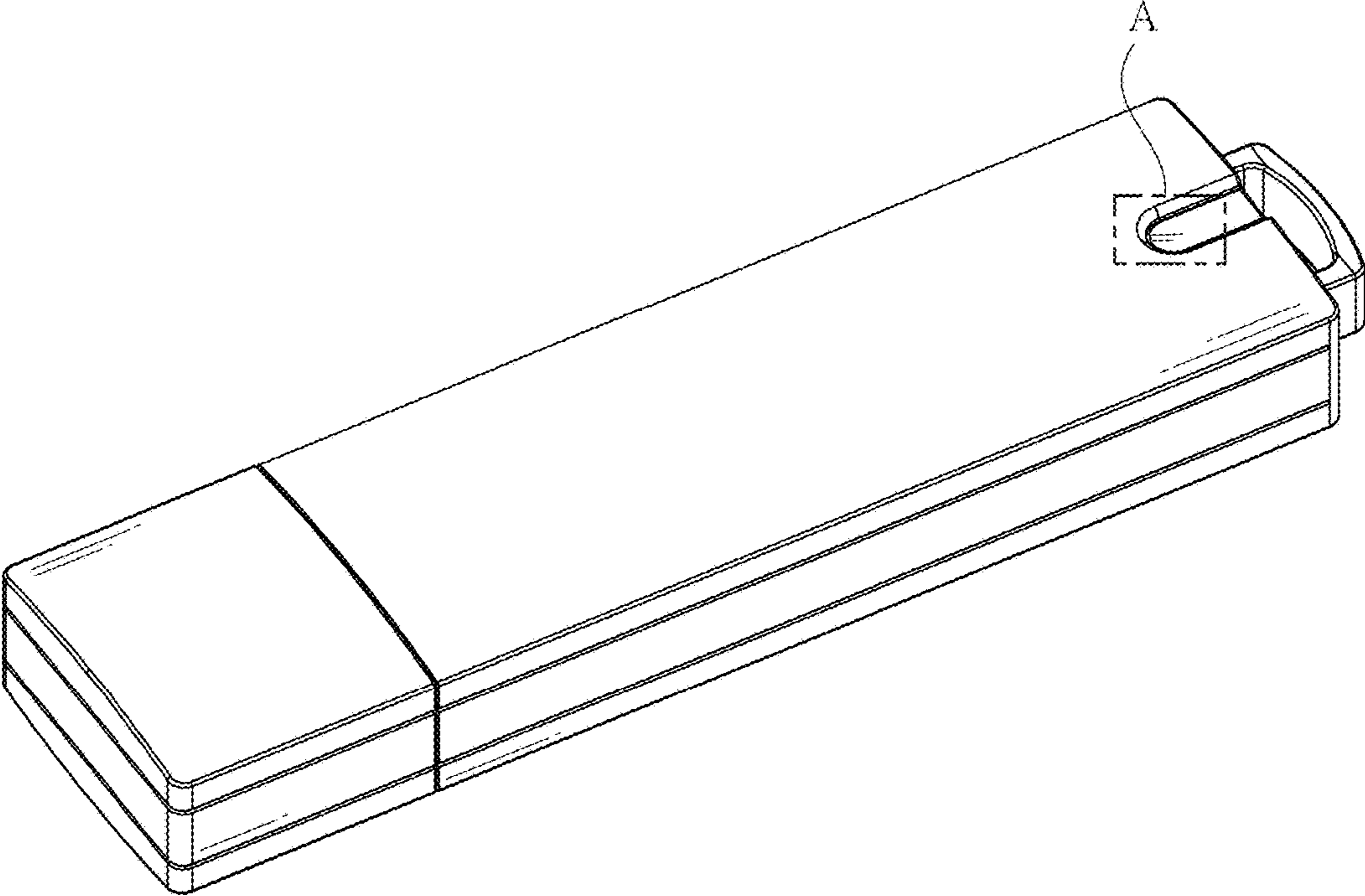


FIG.1

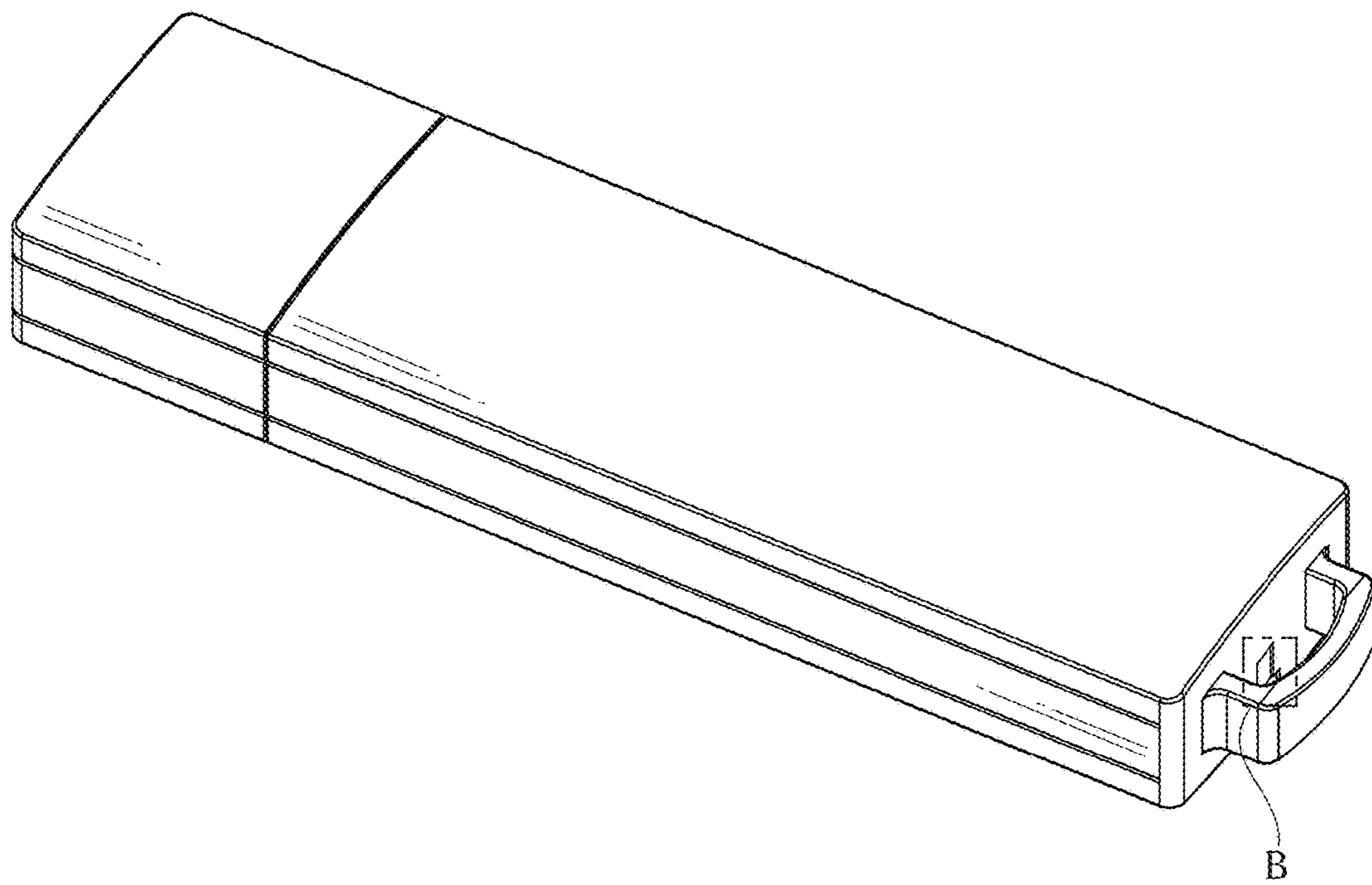


FIG.2



FIG.3



FIG.4

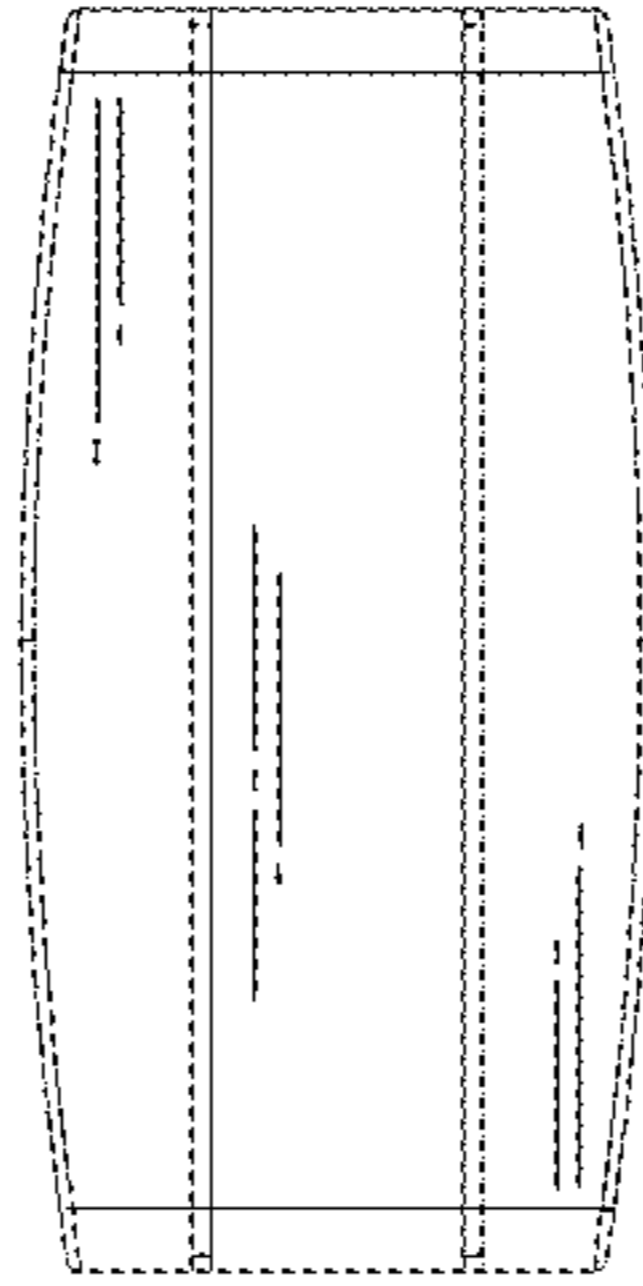


FIG. 5

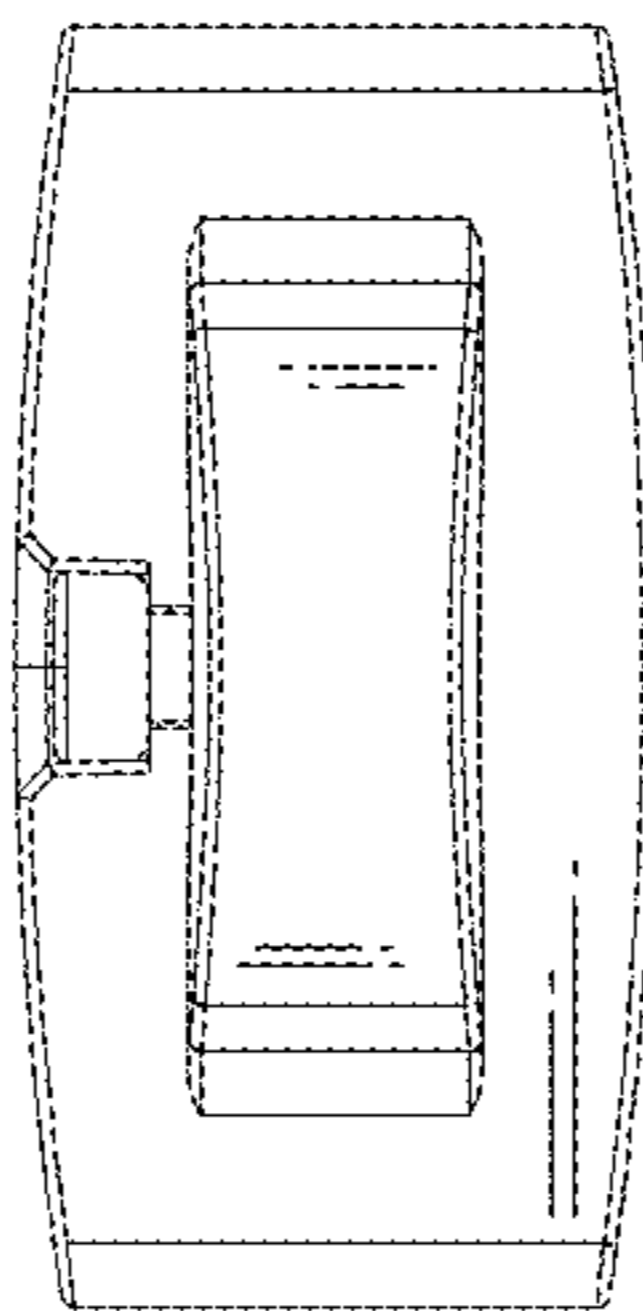


FIG. 6

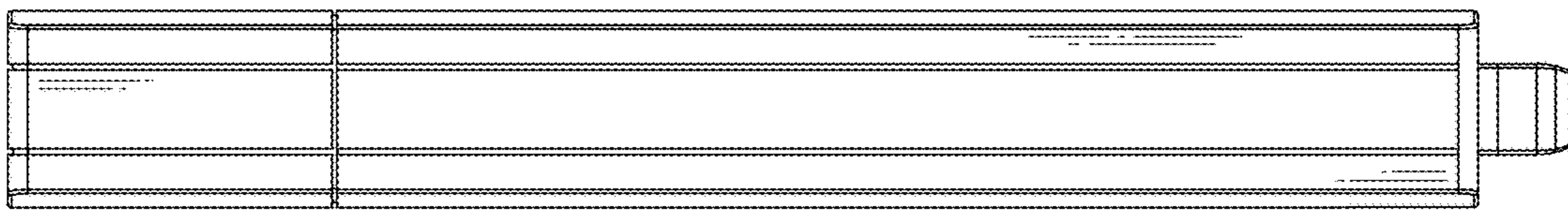


FIG. 7

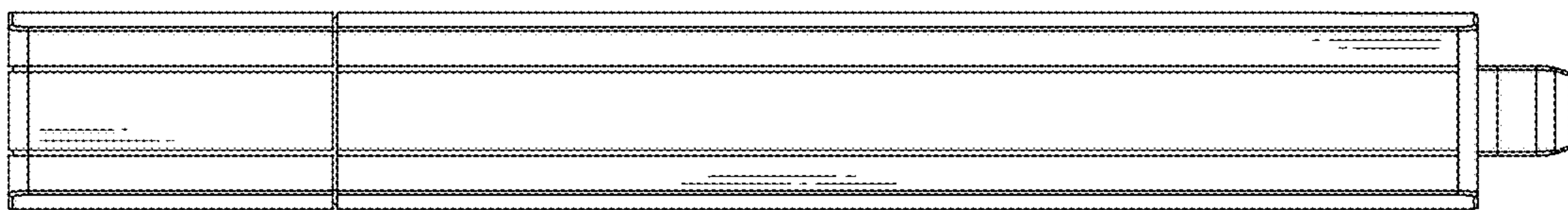


FIG. 8

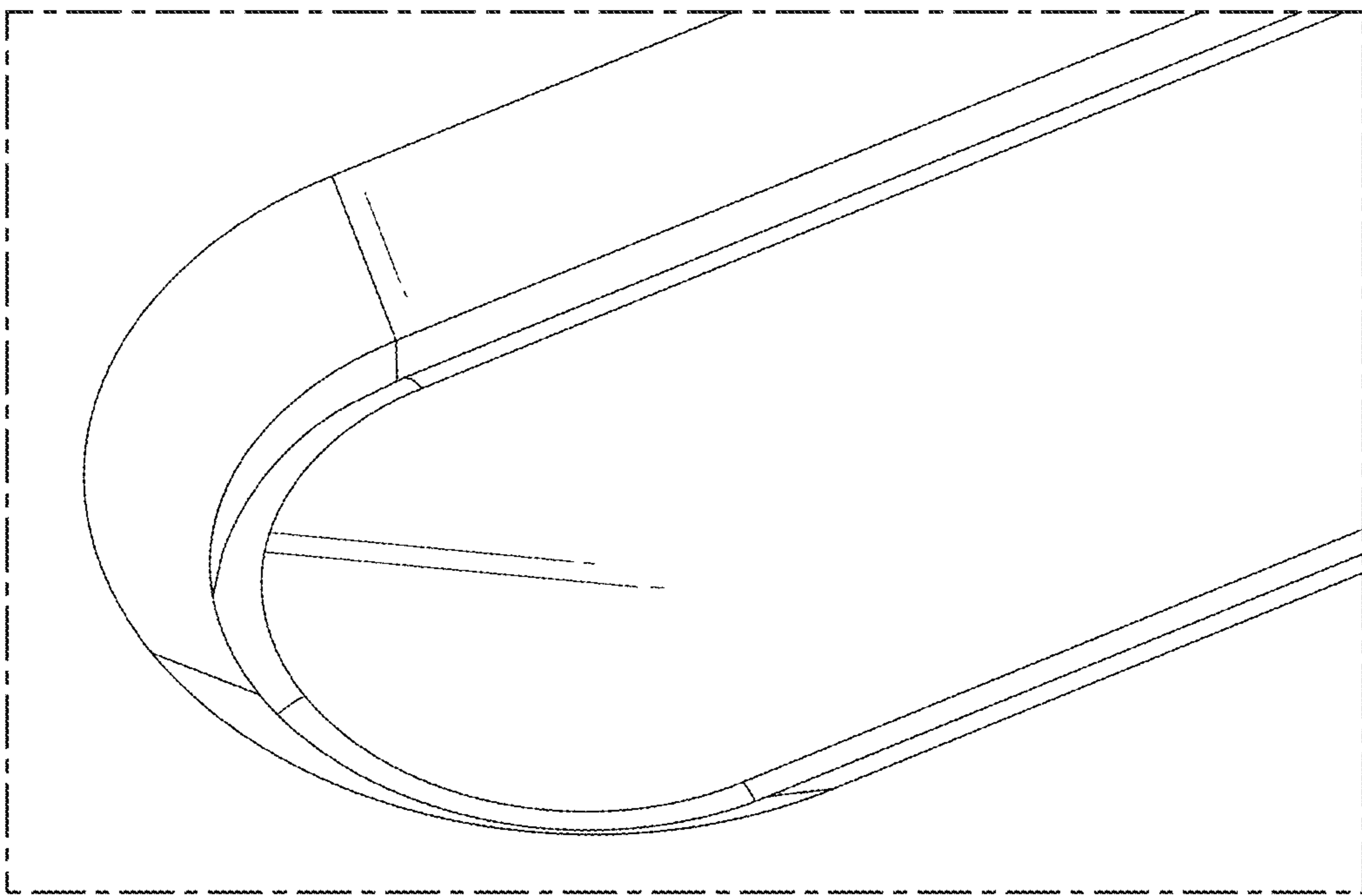


FIG.9

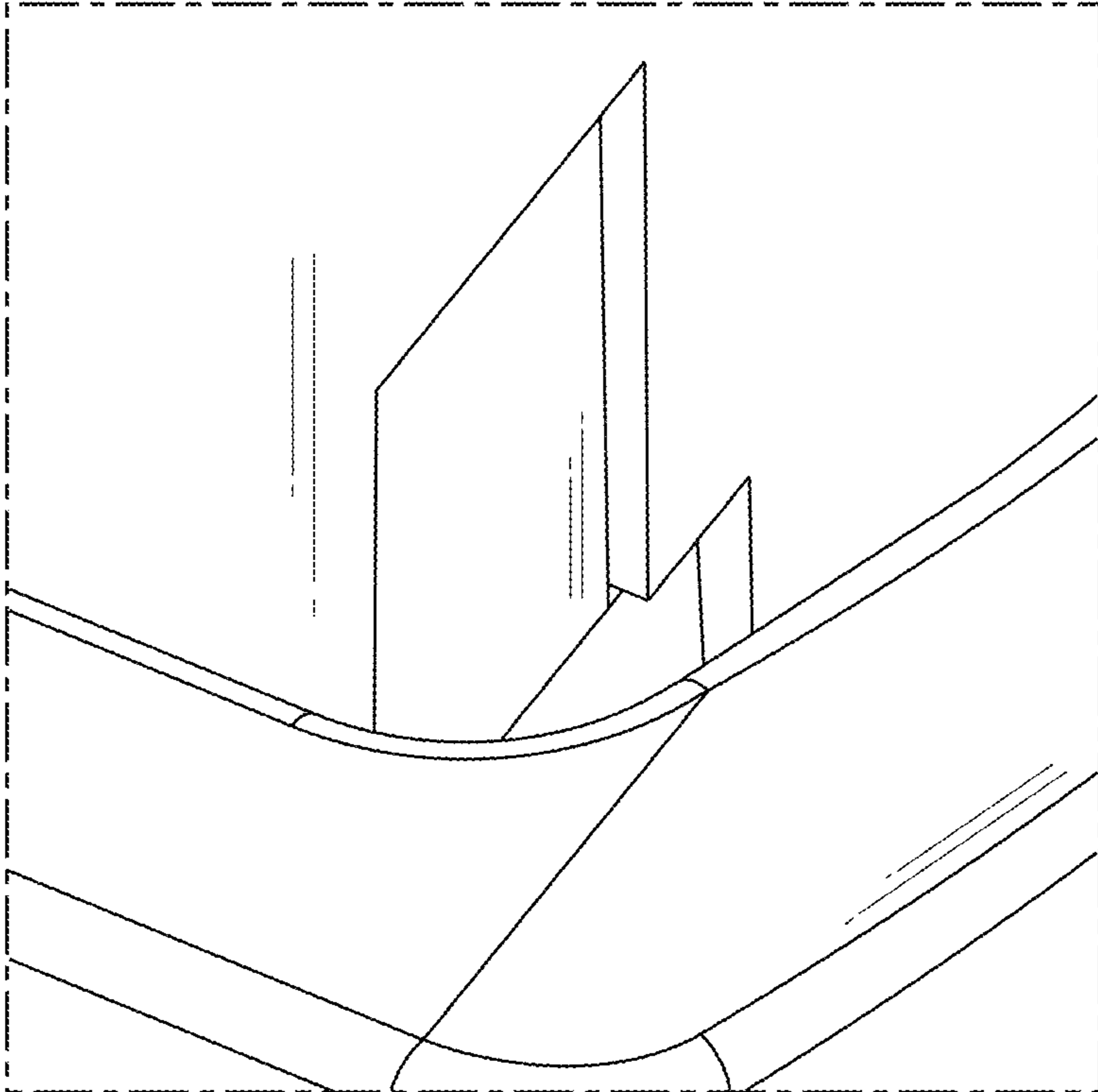


FIG.10