



US00D798304S

(12) **United States Design Patent**
Sung et al.

(10) **Patent No.:** **US D798,304 S**

(45) **Date of Patent:** **** Sep. 26, 2017**

(54) **KICKSTAND HINGE**

(71) Applicant: **Intel Corporation**, Santa Clara, CA
(US)

(72) Inventors: **Pei-yang Sung**, Taichung (TW); **Jeff Ku**, Taipei (TW); **Ming-Che Lee**, New Taipei (TW); **Oliver Tsui**, Taipei (TW); **Tim Liu**, New Taipei (TW)

(73) Assignee: **Intel Corporation**, Santa Clara, CA
(US)

(**) Term: **15 Years**

(21) Appl. No.: **29/540,604**

(22) Filed: **Sep. 25, 2015**

(51) **LOC (10) Cl.** **08-07**

(52) **U.S. Cl.**

USPC **D14/447**

(58) **Field of Classification Search**

USPC D14/447, 432, 434, 439, 440, 451, 452,
D14/457, 239; D8/363, 373, 380;
D6/406.3, 406.4, 406.5, 406.6; D12/415

(Continued)

(56) **References Cited**

U.S. PATENT DOCUMENTS

D661,308 S * 6/2012 Capozzoli, II D14/447

D664,529 S * 7/2012 Chuang D13/108

(Continued)

Primary Examiner — Angela J Lee

(74) *Attorney, Agent, or Firm* — Patent Capital Group

(57) **CLAIM**

The ornamental design for a kickstand hinge, as shown and described.

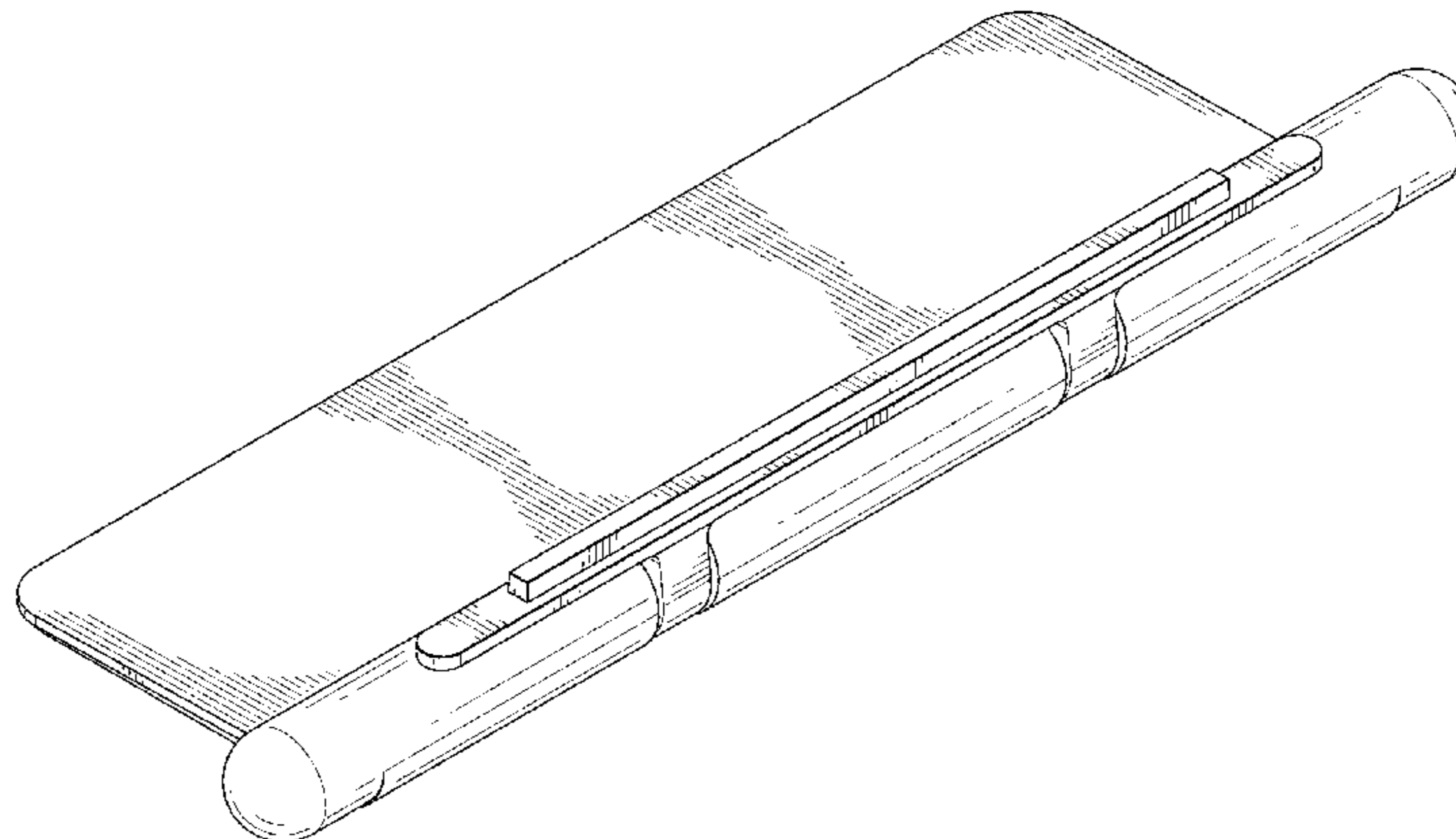
DESCRIPTION

FIG. 1 is a perspective view of a kickstand hinge according to a first embodiment;

FIG. 2 is a back view thereof;
FIG. 3 is a front view thereof;
FIG. 4 is a side view thereof;
FIG. 5 is another side view thereof;
FIG. 6 is a top view thereof;
FIG. 7 is a bottom view thereof;
FIG. 8 is a perspective view of a kickstand hinge according to a second embodiment;
FIG. 9 is a back view thereof;
FIG. 10 is a front view thereof;
FIG. 11 is a side view thereof;
FIG. 12 is a top view thereof;
FIG. 13 is a bottom view thereof;
FIG. 14 is a perspective view of a kickstand hinge according to a third embodiment;
FIG. 15 is a back view thereof;
FIG. 16 is a front view thereof;
FIG. 17 is a side view thereof;
FIG. 18 is a top view thereof;
FIG. 19 is a bottom view thereof;
FIG. 20 is a perspective view of the kickstand hinge of the first embodiment shown in use;
FIG. 21 is a side view thereof;
FIG. 22 is another perspective view of the kickstand hinge of the first embodiment shown in use;
FIG. 23 is another perspective view of the kickstand hinge of the first embodiment shown in use;
FIG. 24 is a side view thereof;
FIG. 25 is another perspective view of the kickstand hinge of the first embodiment shown in use;
FIG. 26 is another perspective view of the kickstand hinge of the first embodiment shown in use;
FIG. 27 is a side view thereof;
FIG. 28 is another perspective view of the kickstand hinge of the first embodiment shown in use;
FIG. 29 is another perspective view of the kickstand hinge of the first embodiment shown in use; and,
FIG. 30 is another perspective view of the kickstand hinge of the first embodiment shown in use.

The broken lines of the Figures are for illustration only. The broken lines and the unshaded regions bounded by broken lines of the preceding Figures illustrate boundaries of unclaimed environmental structures and, therefore, form no

(Continued)



part of the claimed design. Non-oblique line shading is meant to show contour and not surface ornamentation.

1 Claim, 20 Drawing Sheets

(58) Field of Classification Search

CPC A47B 21/04; A47B 2097/006; A47B 2097/005; A47B 2023/049; A45C 2011/002; A45C 2011/003; F16M 2200/00; F16M 13/00

See application file for complete search history.

(56) References Cited

U.S. PATENT DOCUMENTS

D671,541 S *	11/2012	Gengler	D14/392
D685,381 S *	7/2013	Symons	D14/447
D701,213 S *	3/2014	Pajic	D14/447
D710,861 S *	8/2014	Yagi	D14/447
D715,804 S *	10/2014	Frenzel	D14/447
D720,758 S *	1/2015	Janz	D14/447
D733,548 S *	7/2015	Brown	D14/447
D737,829 S *	9/2015	Lee	D14/447
D763,858 S *	8/2016	Fluckiger	D14/440
D769,861 S *	10/2016	Sun	D14/253
D771,055 S *	11/2016	Sharma	D14/447

* cited by examiner

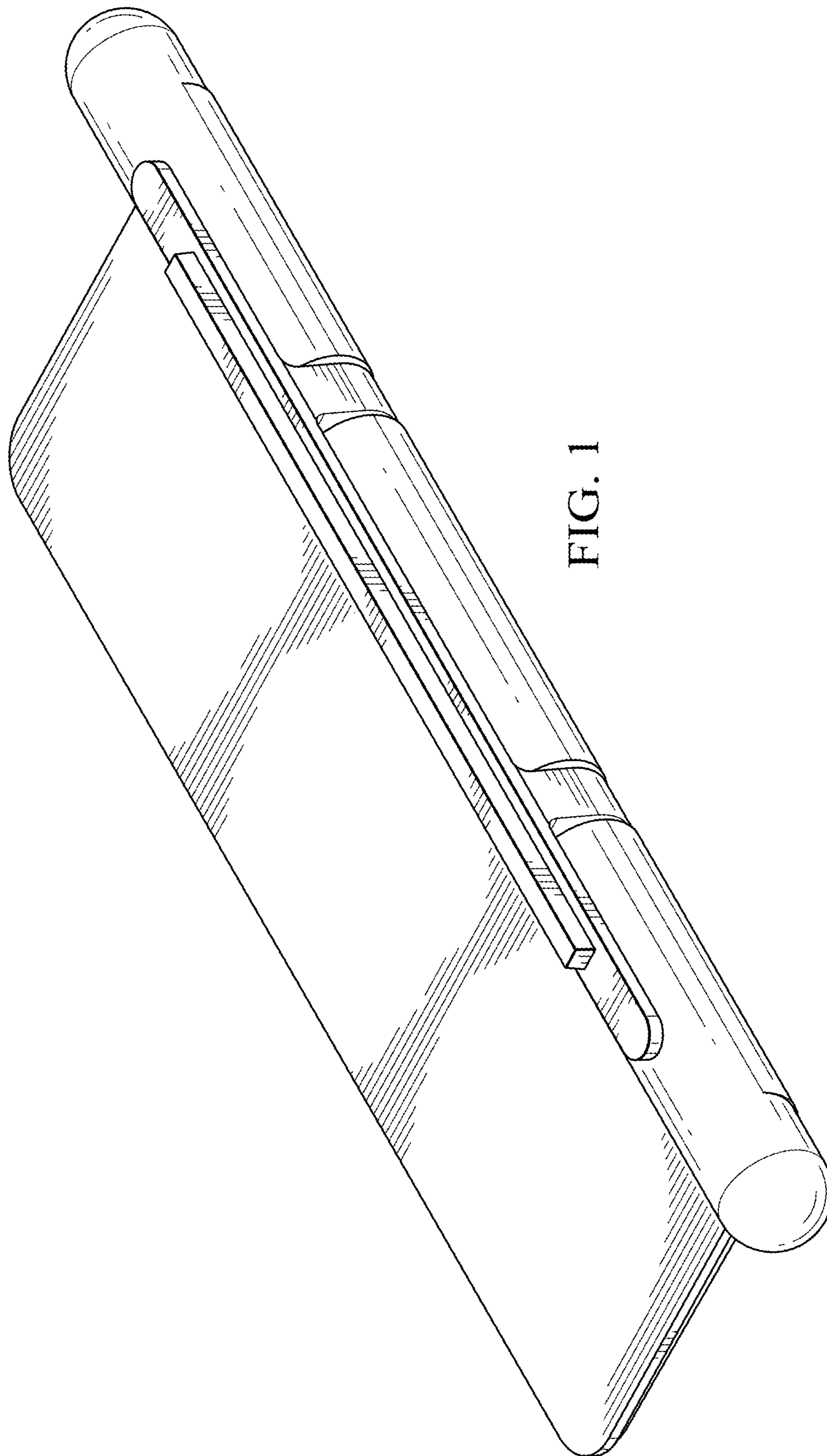


FIG. 1

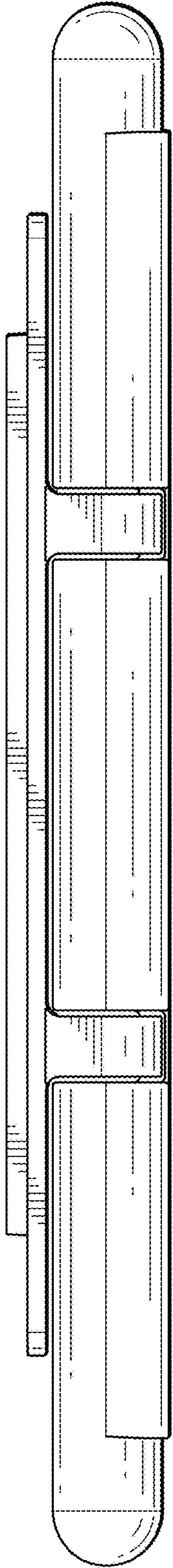


FIG. 2

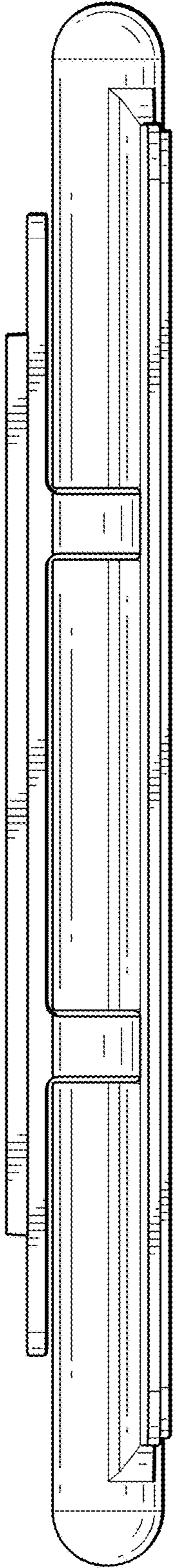


FIG. 3

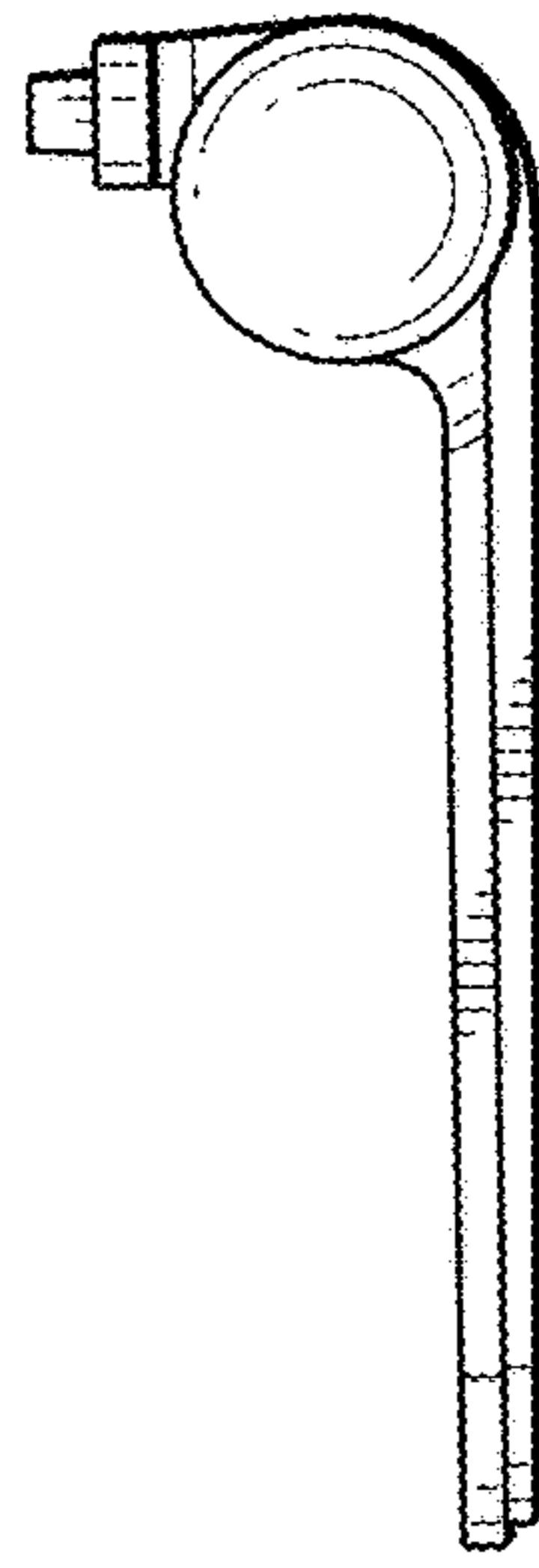


FIG. 4

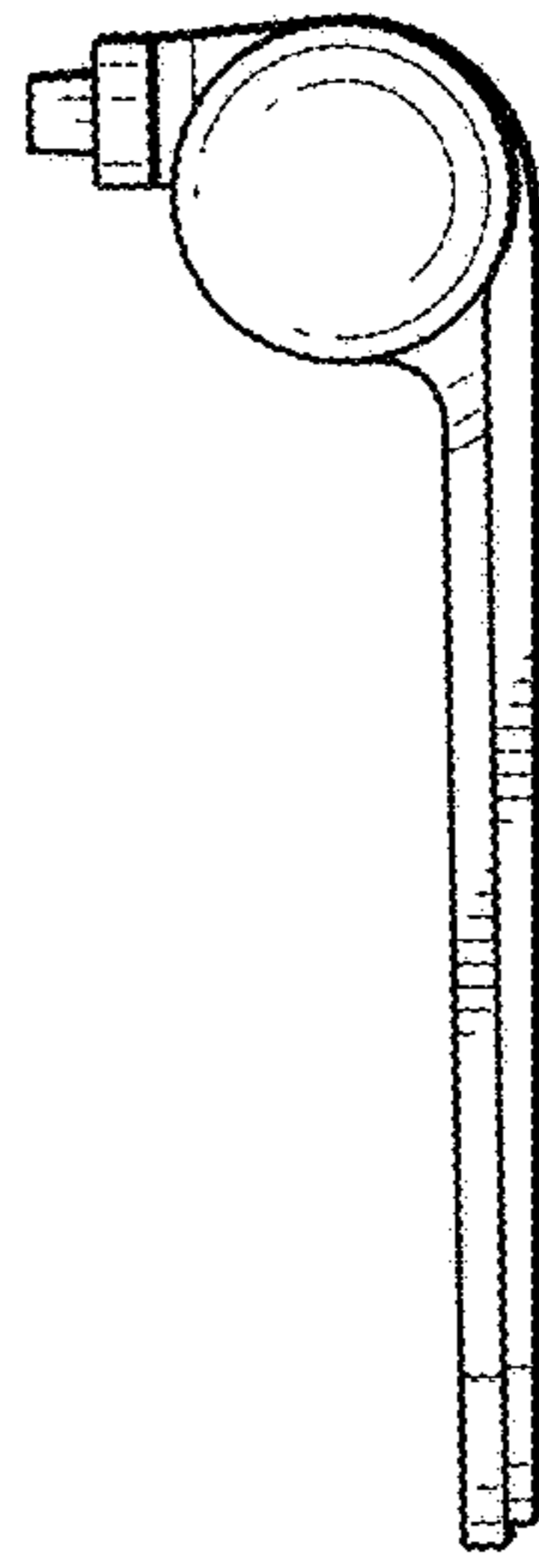


FIG. 5

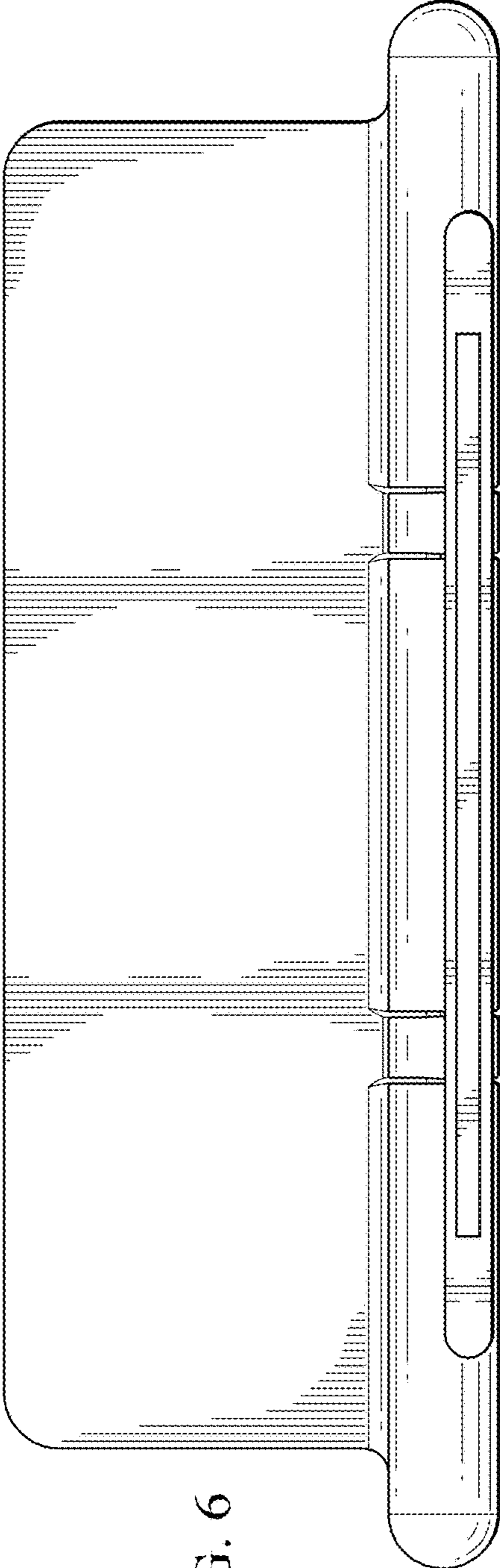


FIG. 6

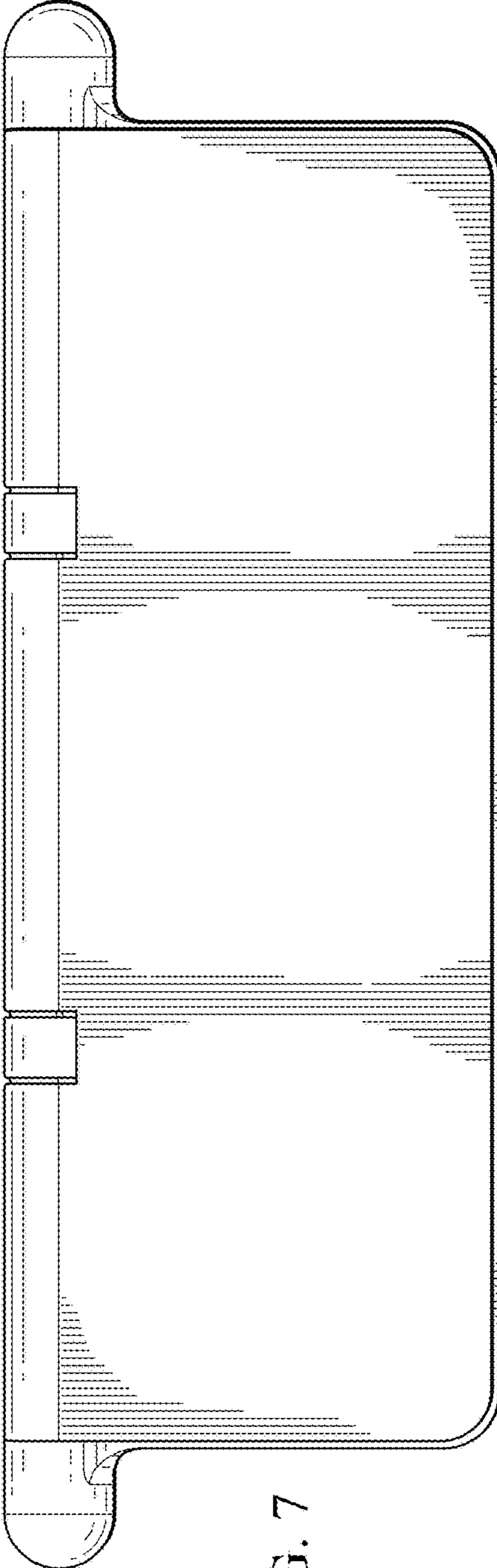


FIG. 7

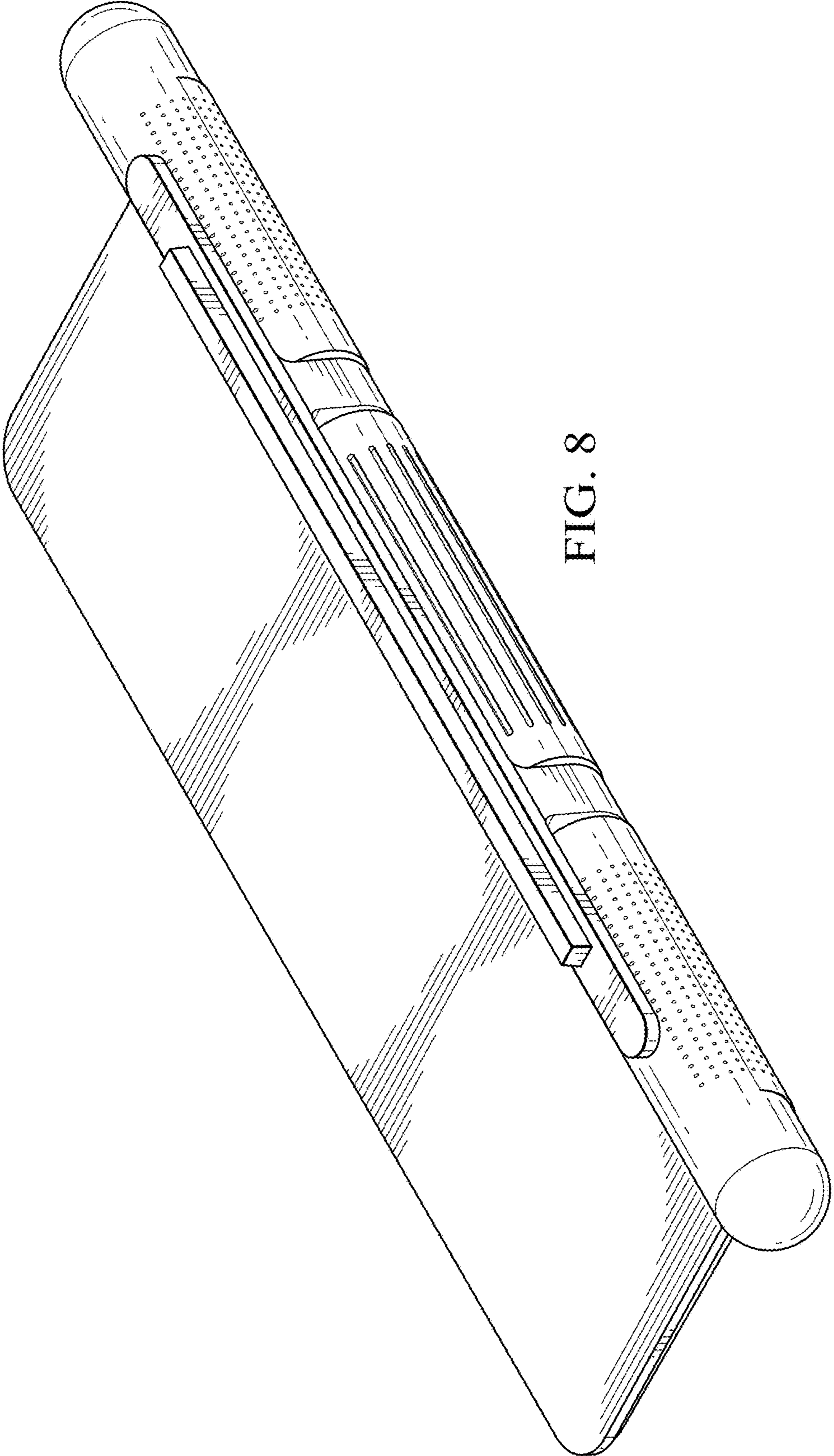


FIG. 8

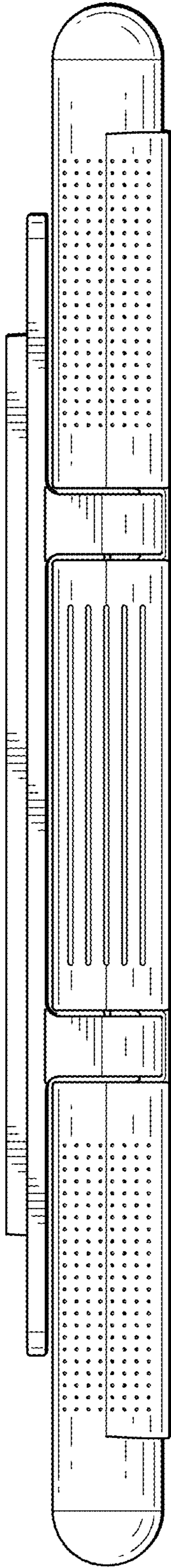


FIG. 9

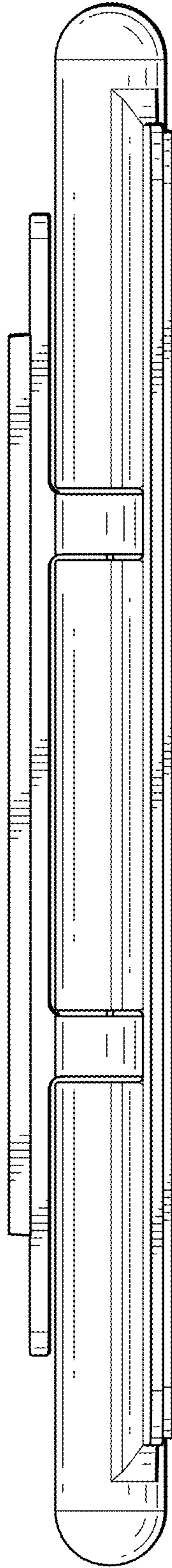


FIG. 10

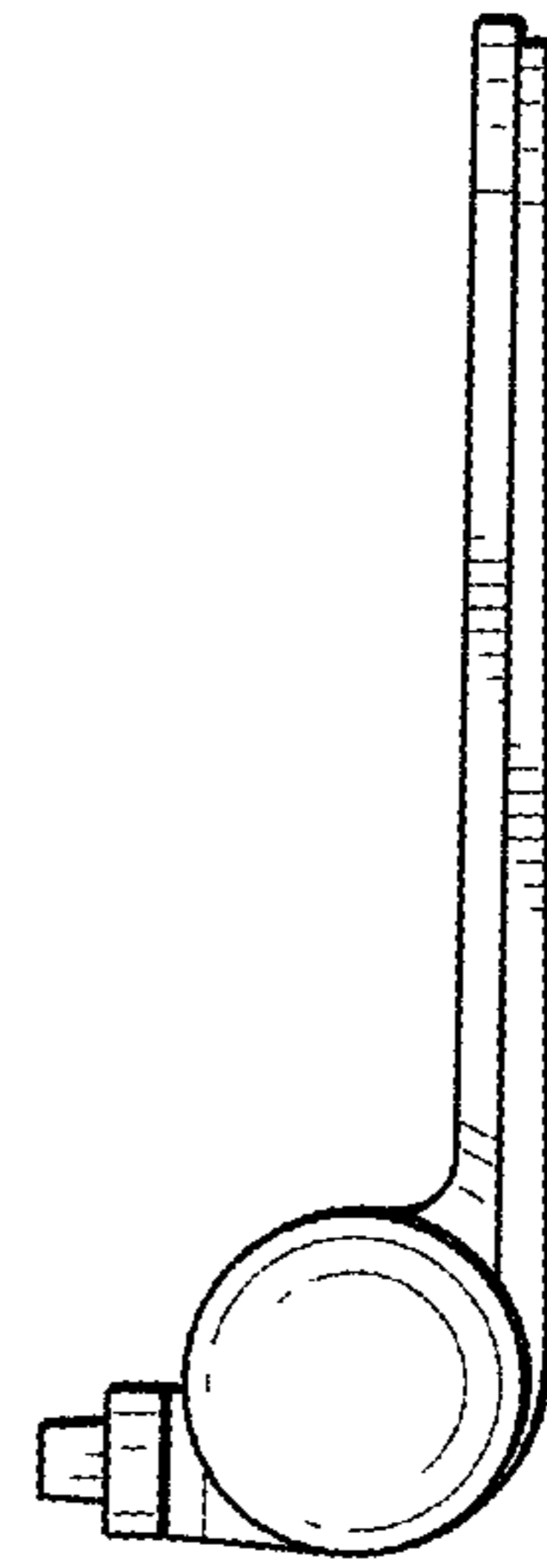


FIG. 11

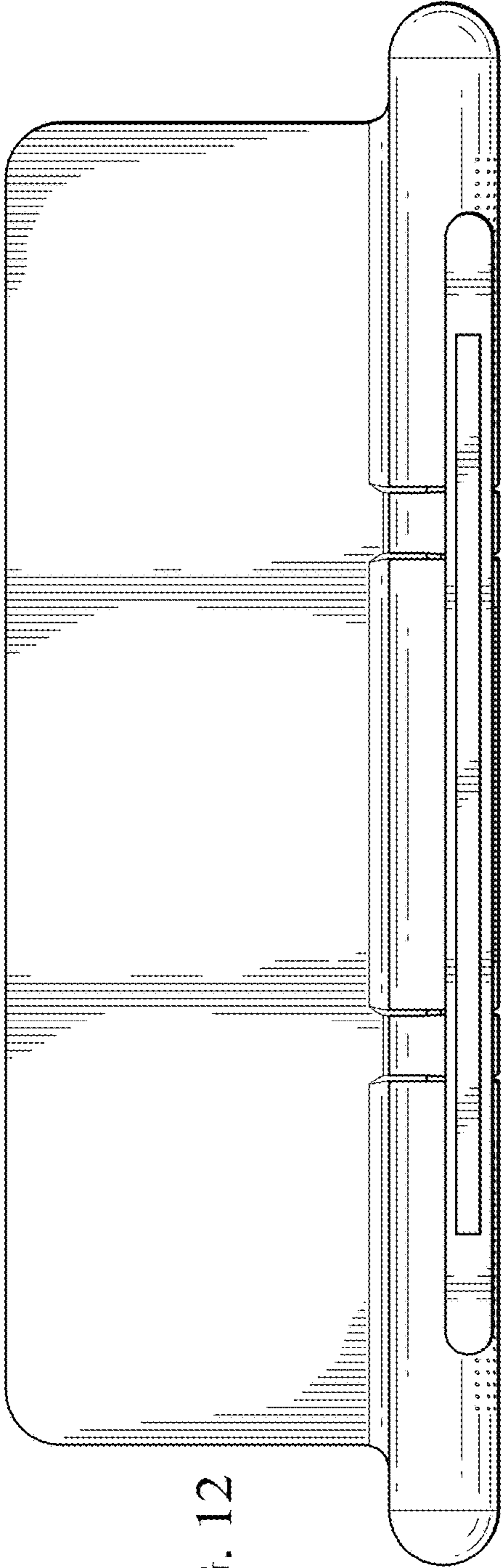


FIG. 12

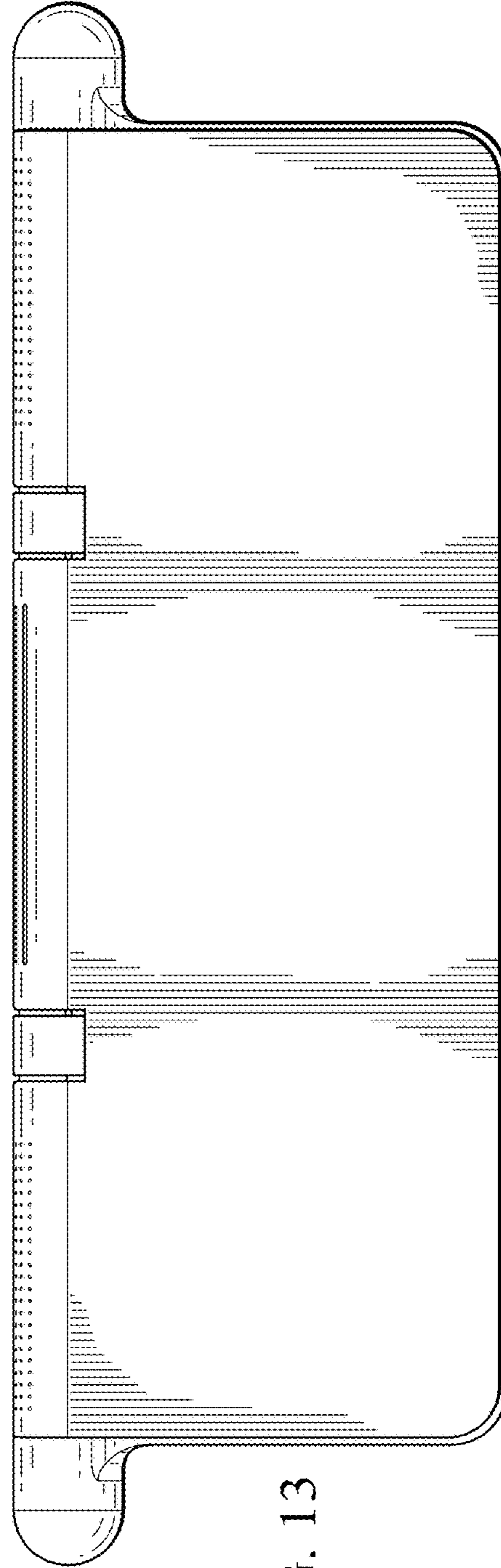


FIG. 13

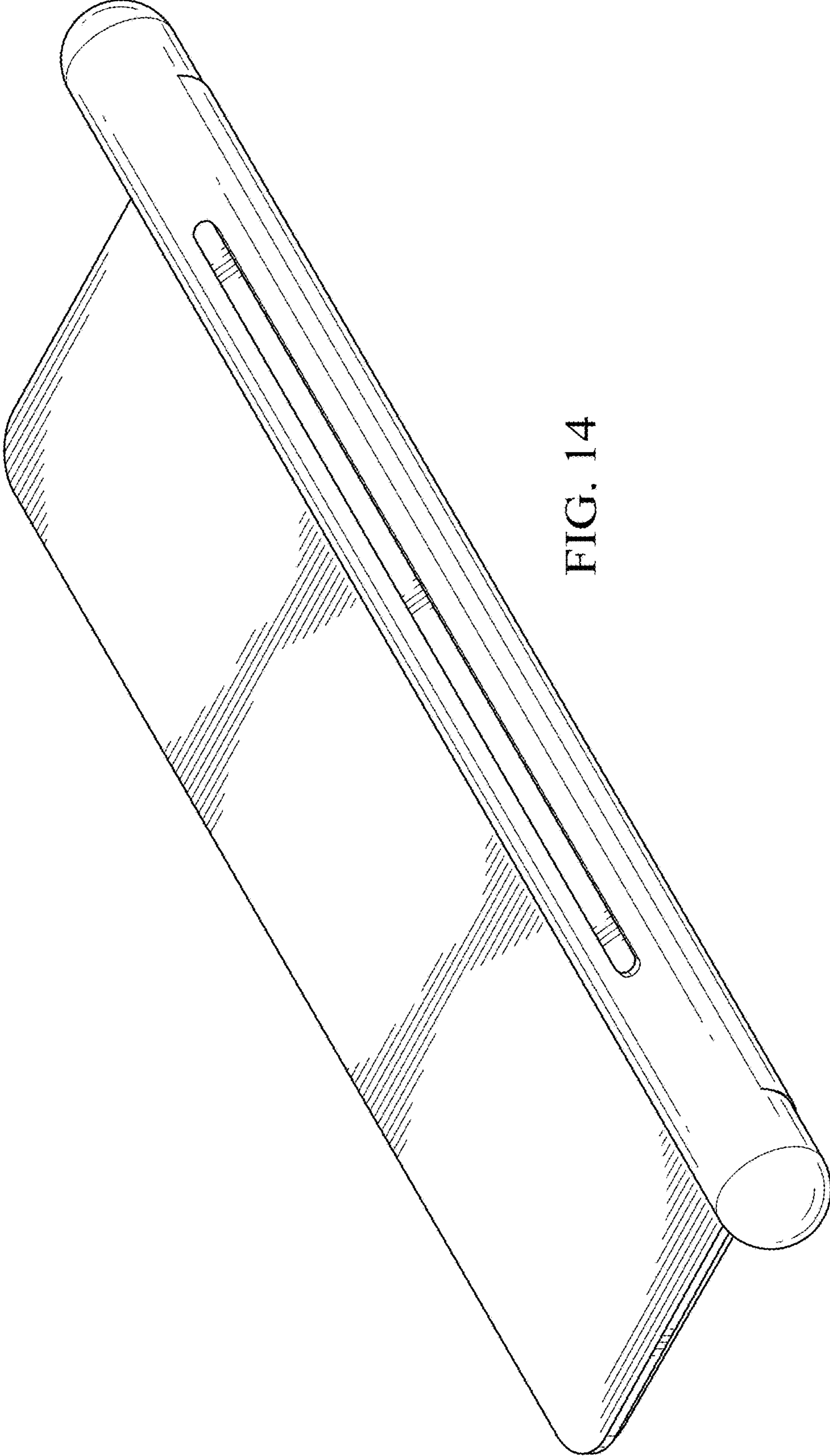


FIG. 14

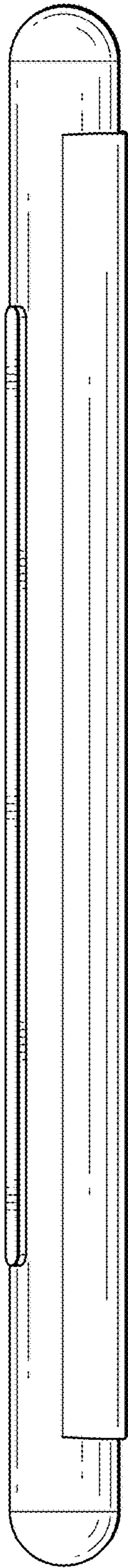


FIG. 15

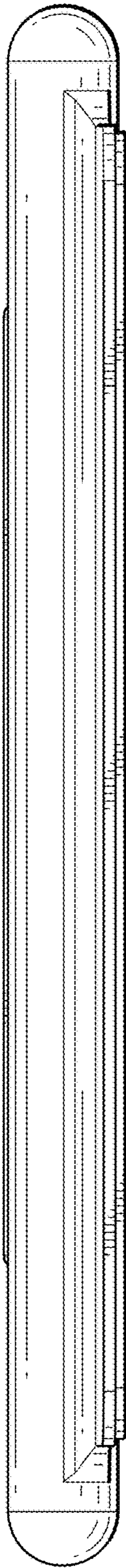


FIG. 16

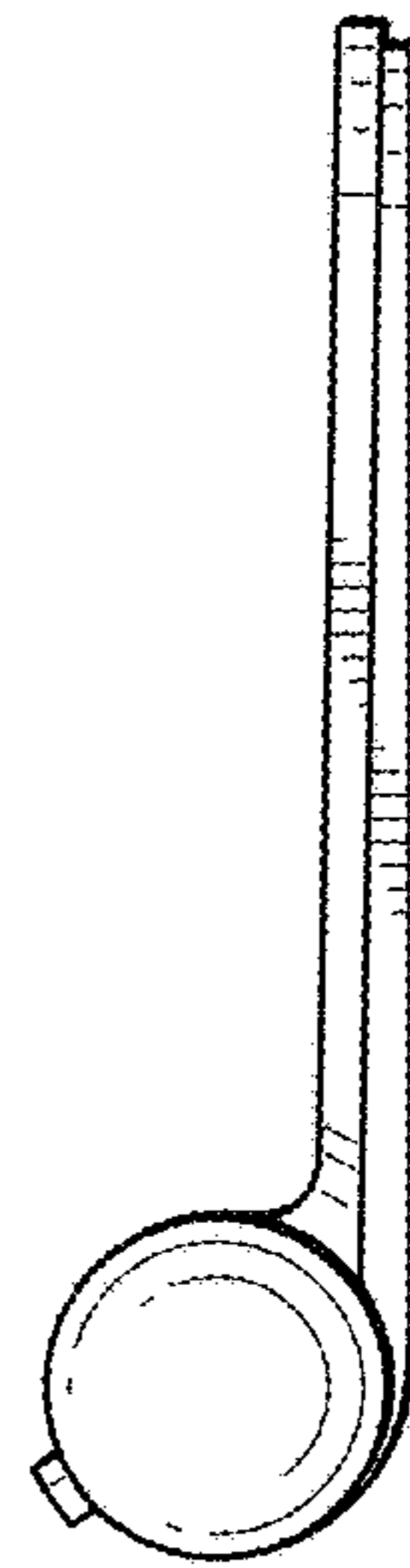


FIG. 17

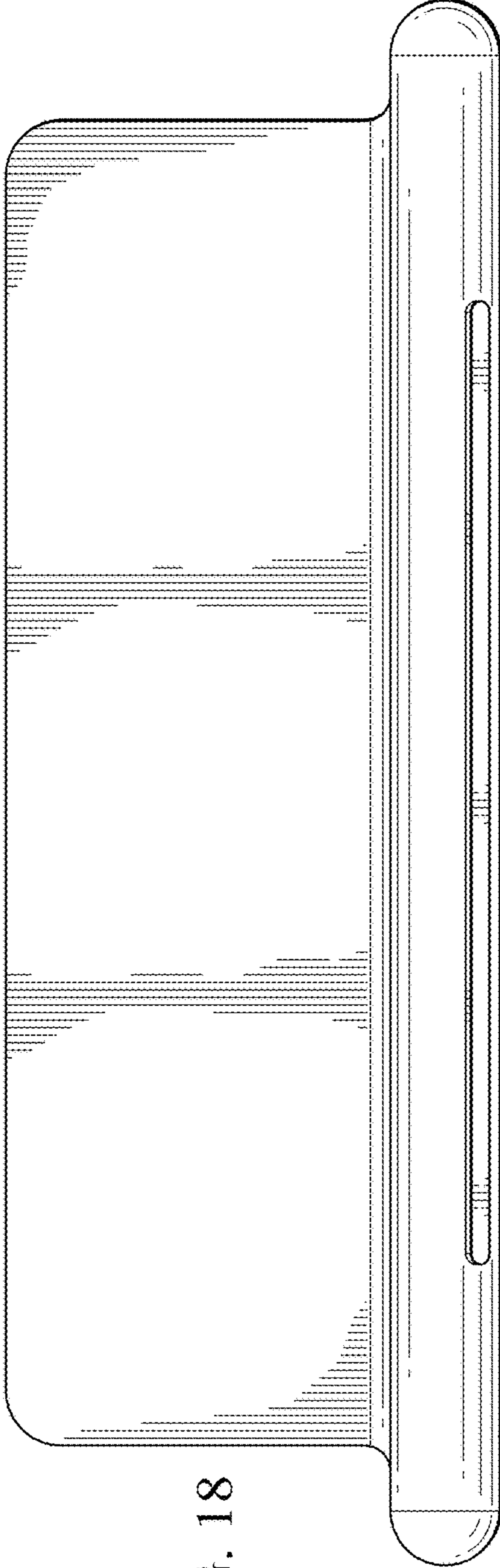


FIG. 18

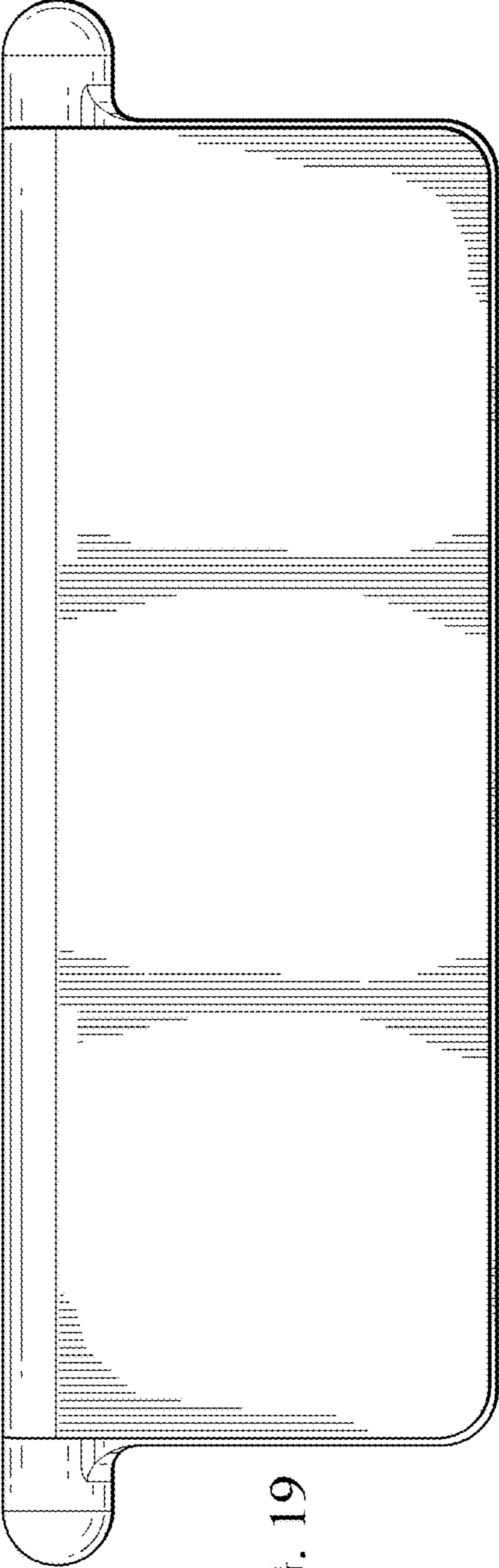


FIG. 19

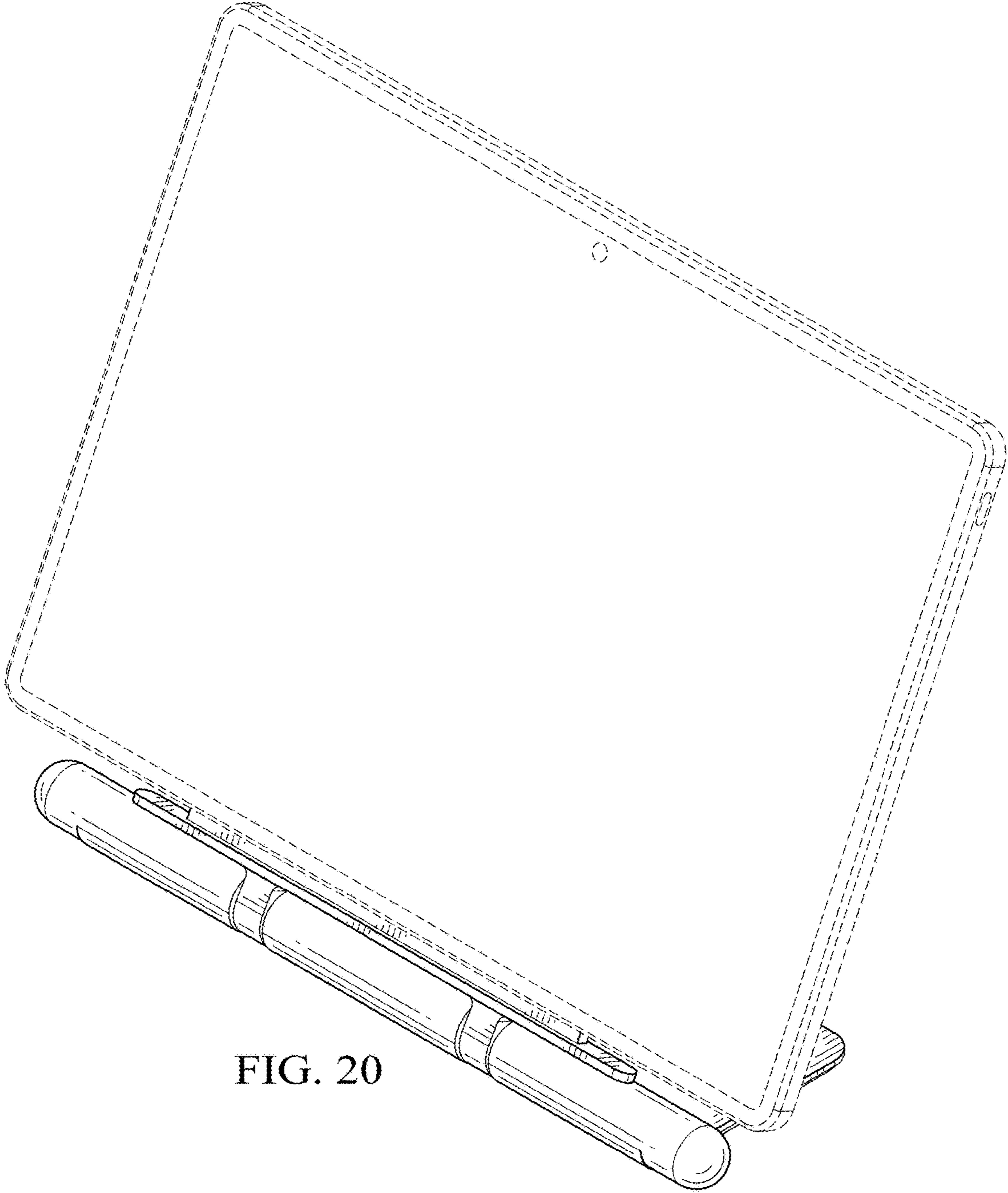


FIG. 20

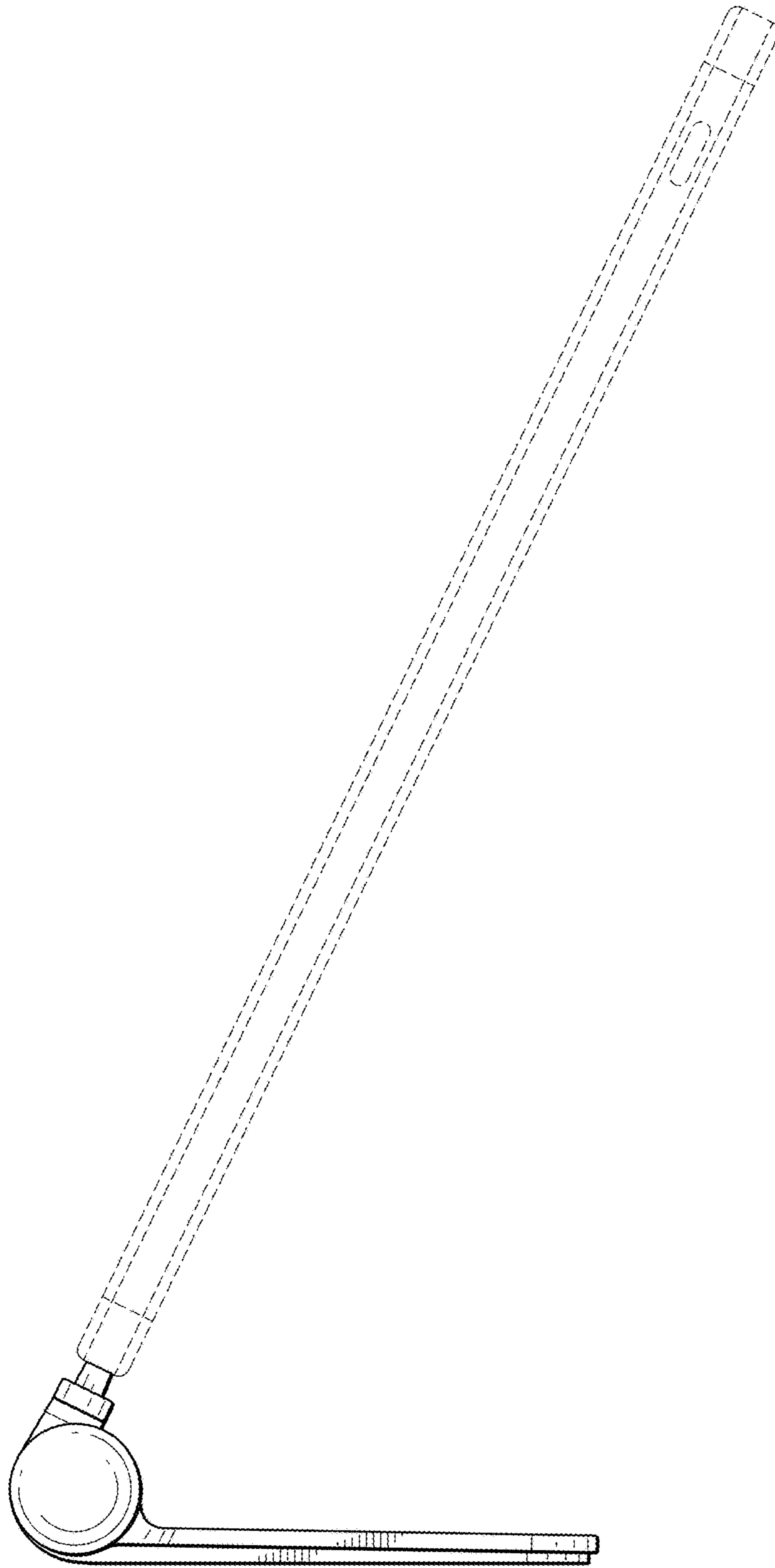


FIG. 21

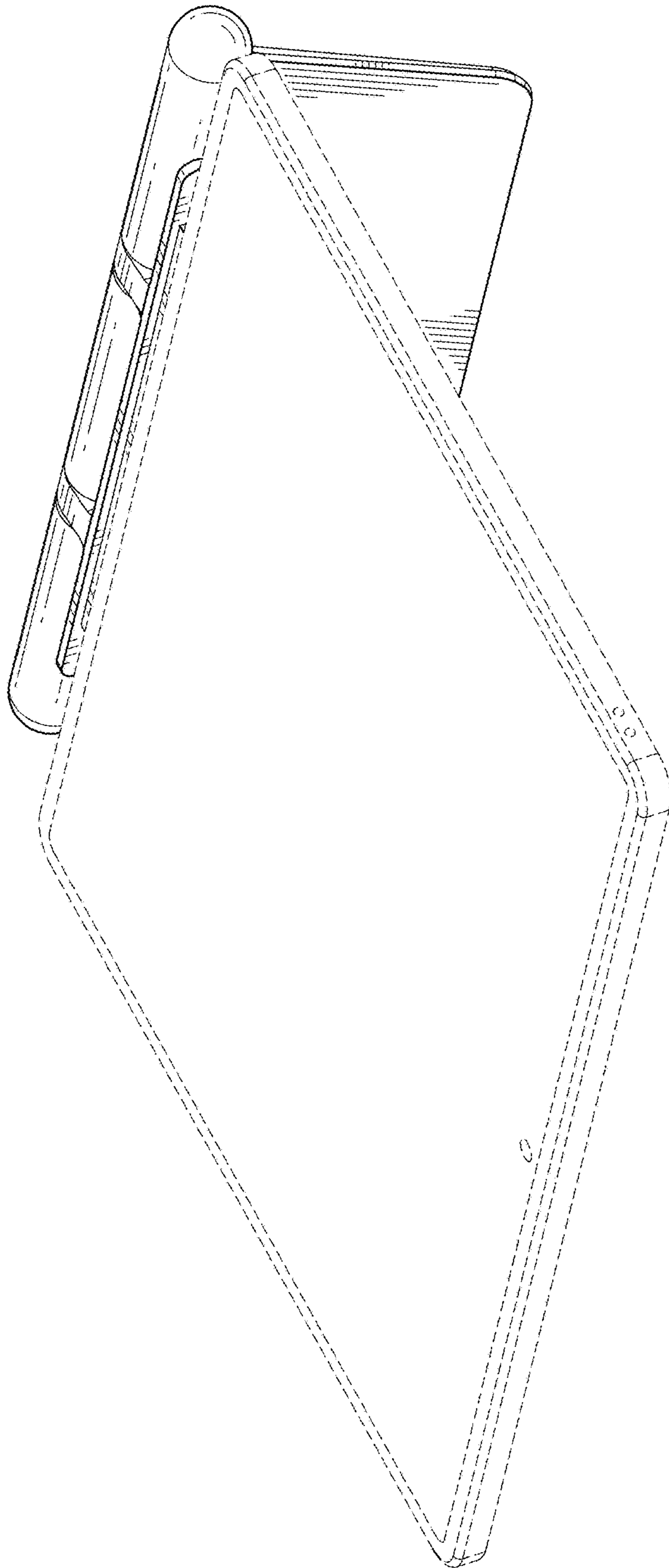


FIG. 22

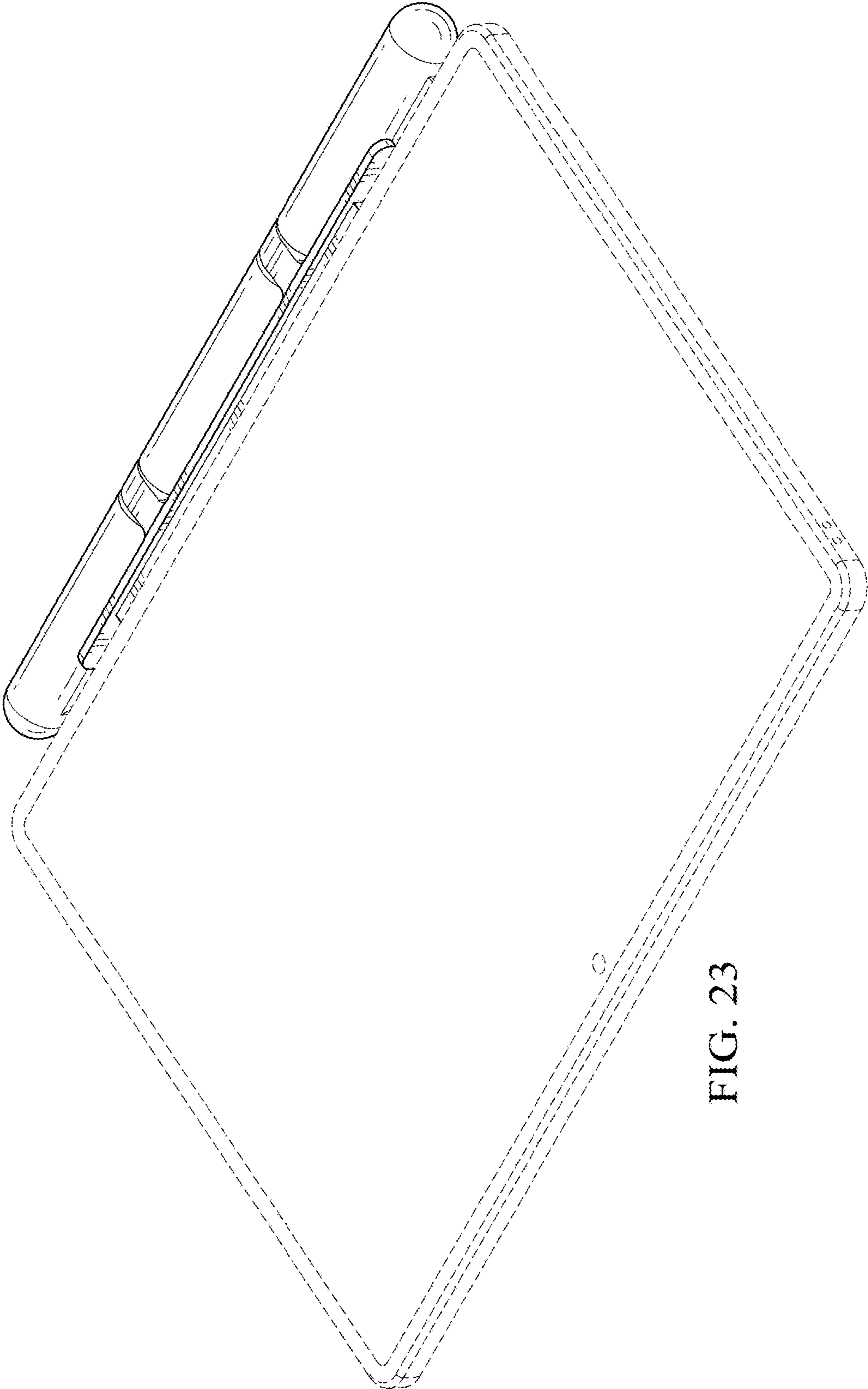


FIG. 23

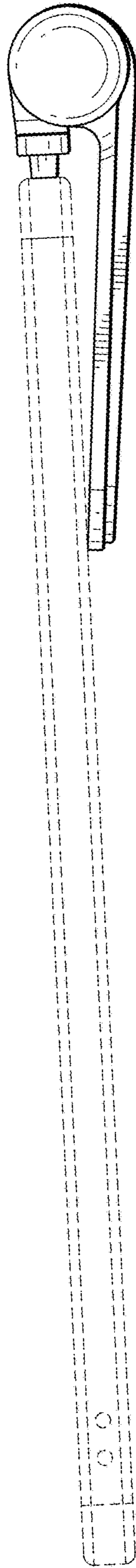


FIG. 24

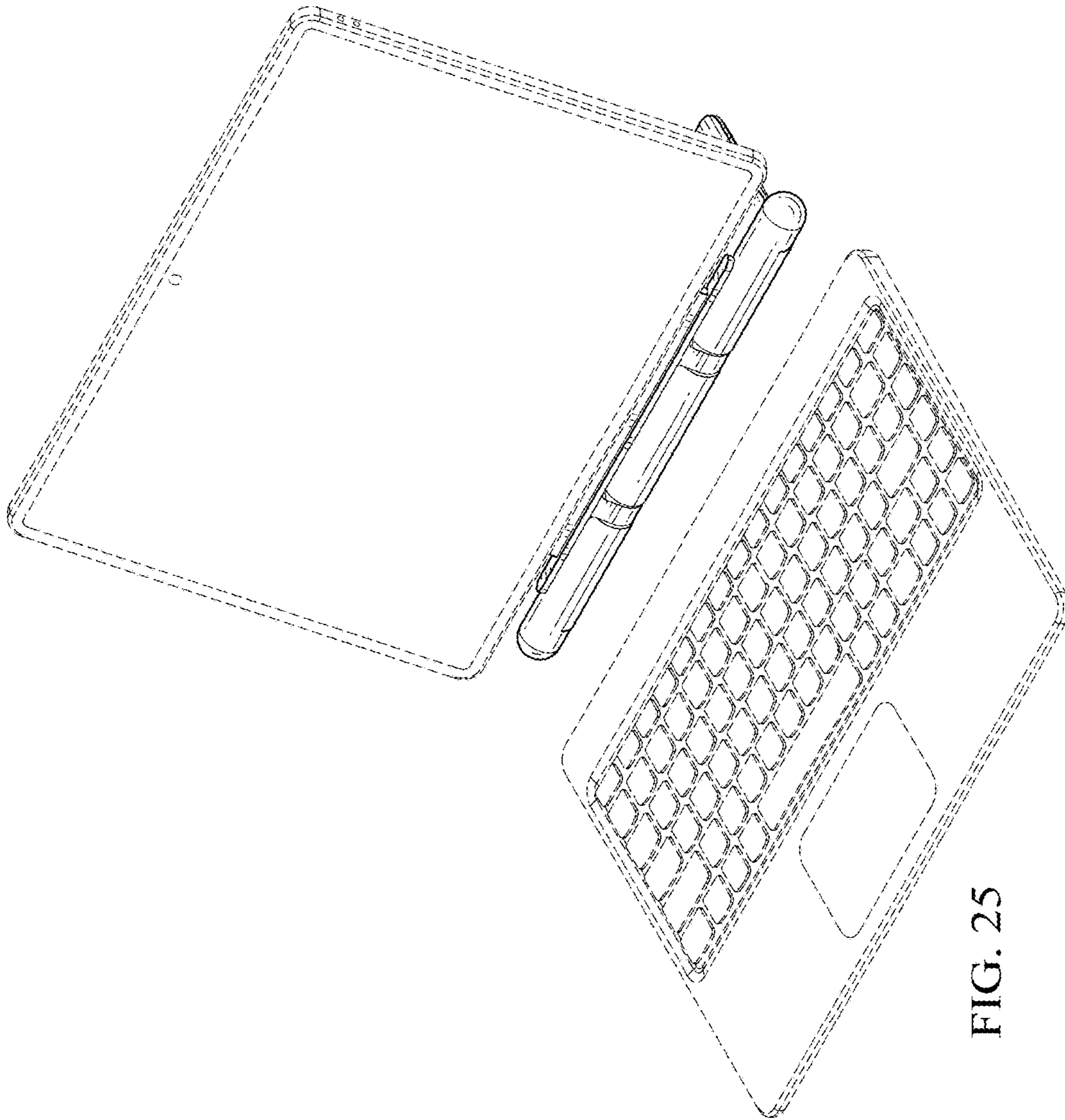


FIG. 25

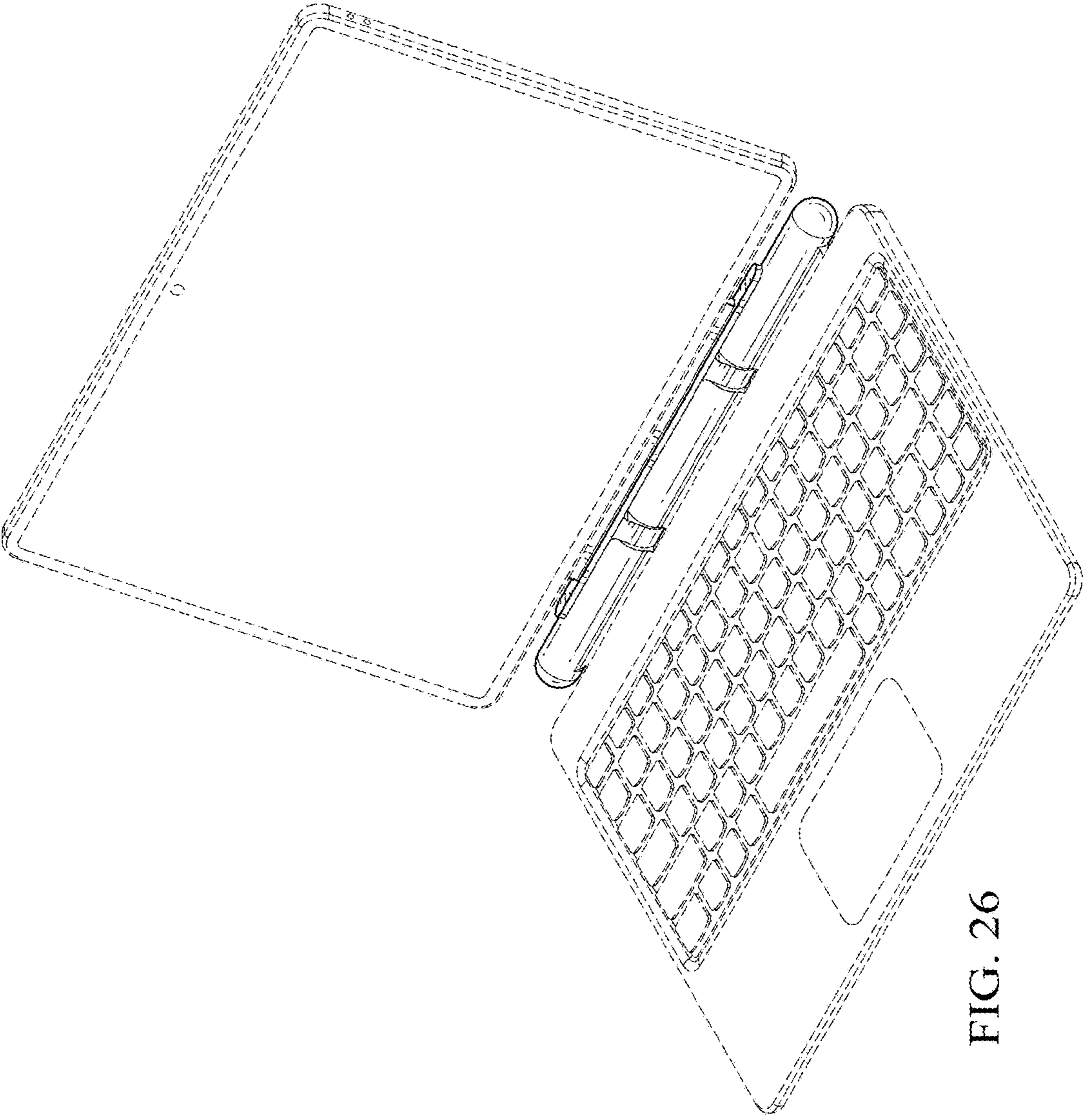


FIG. 26

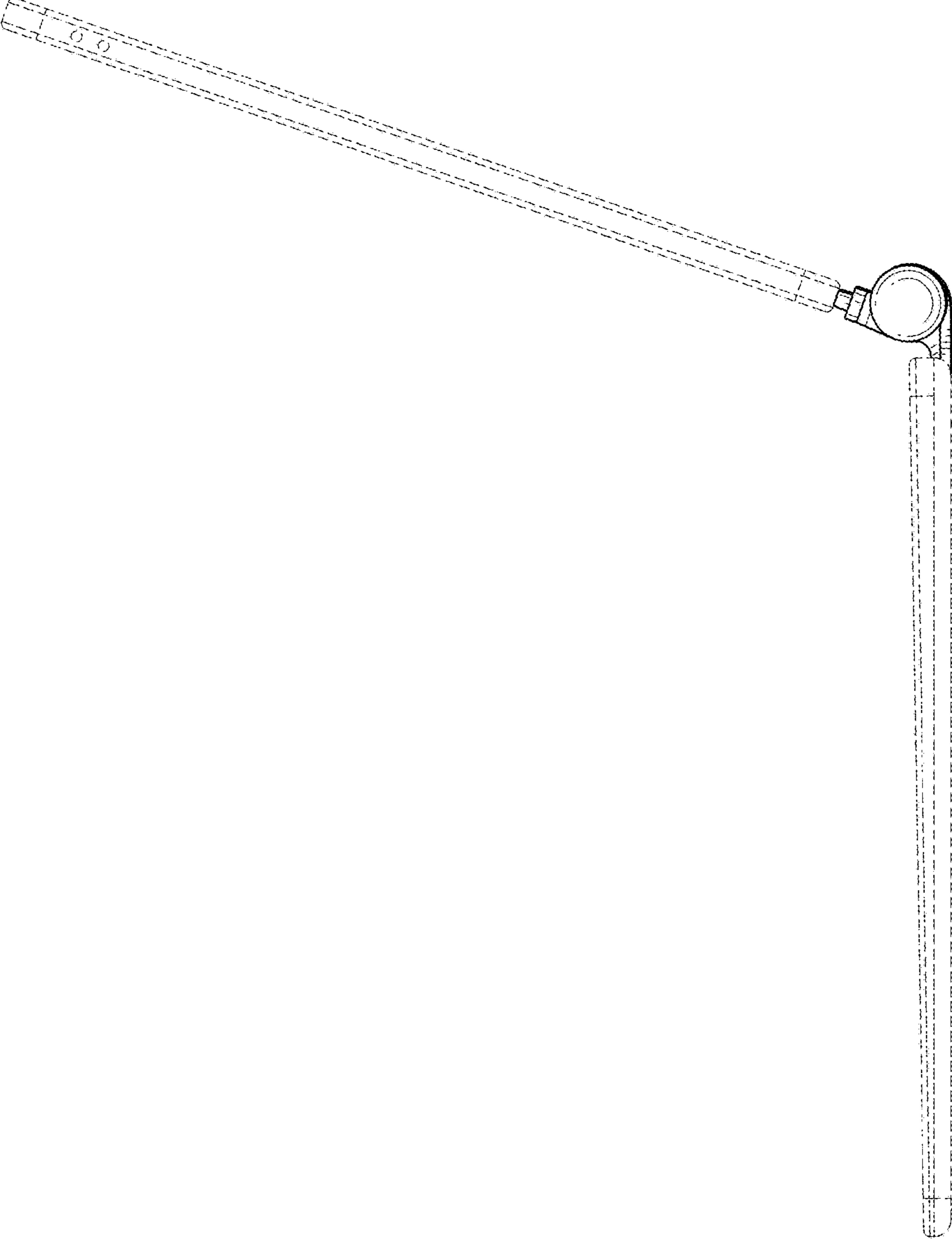


FIG. 27

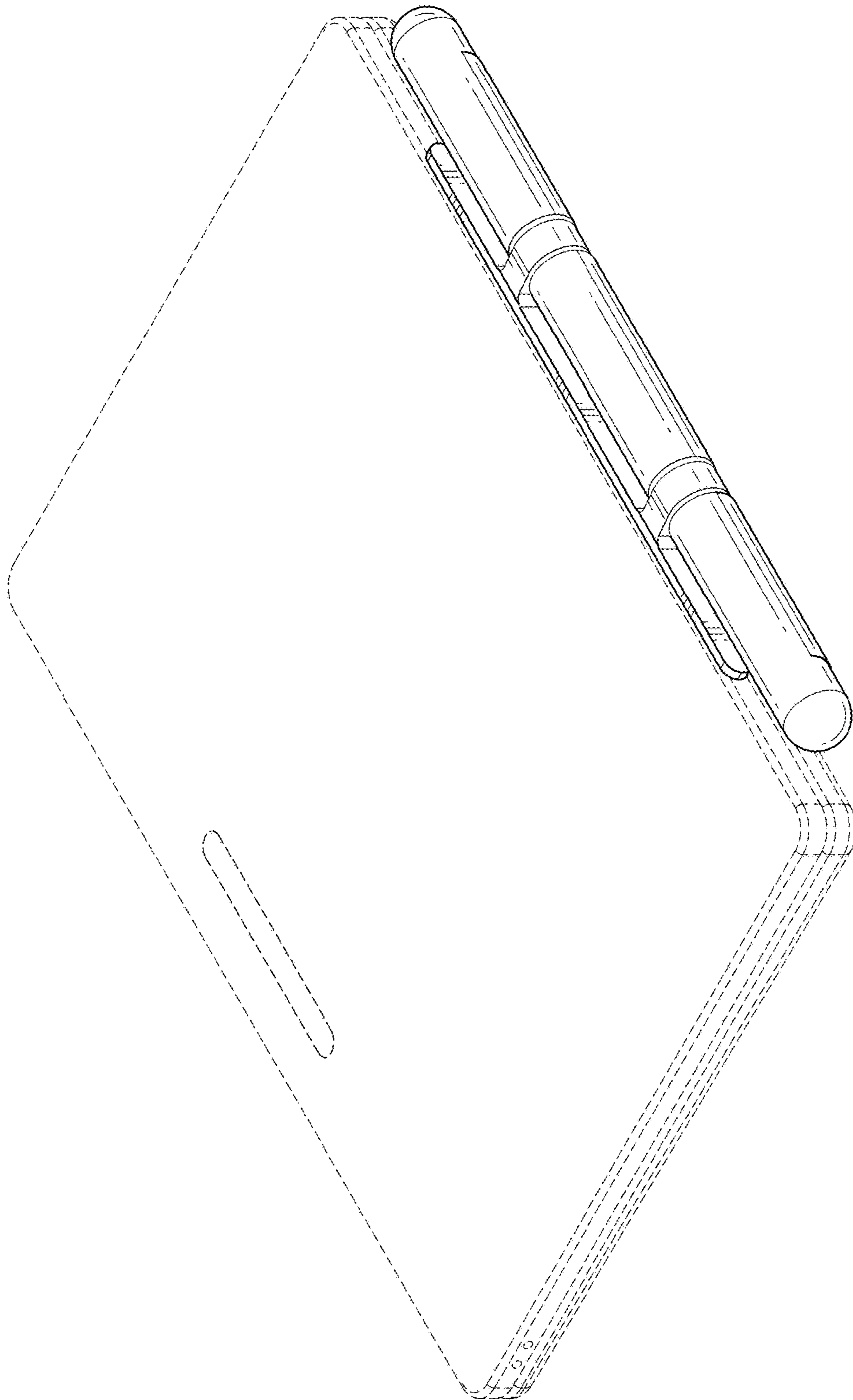


FIG. 28

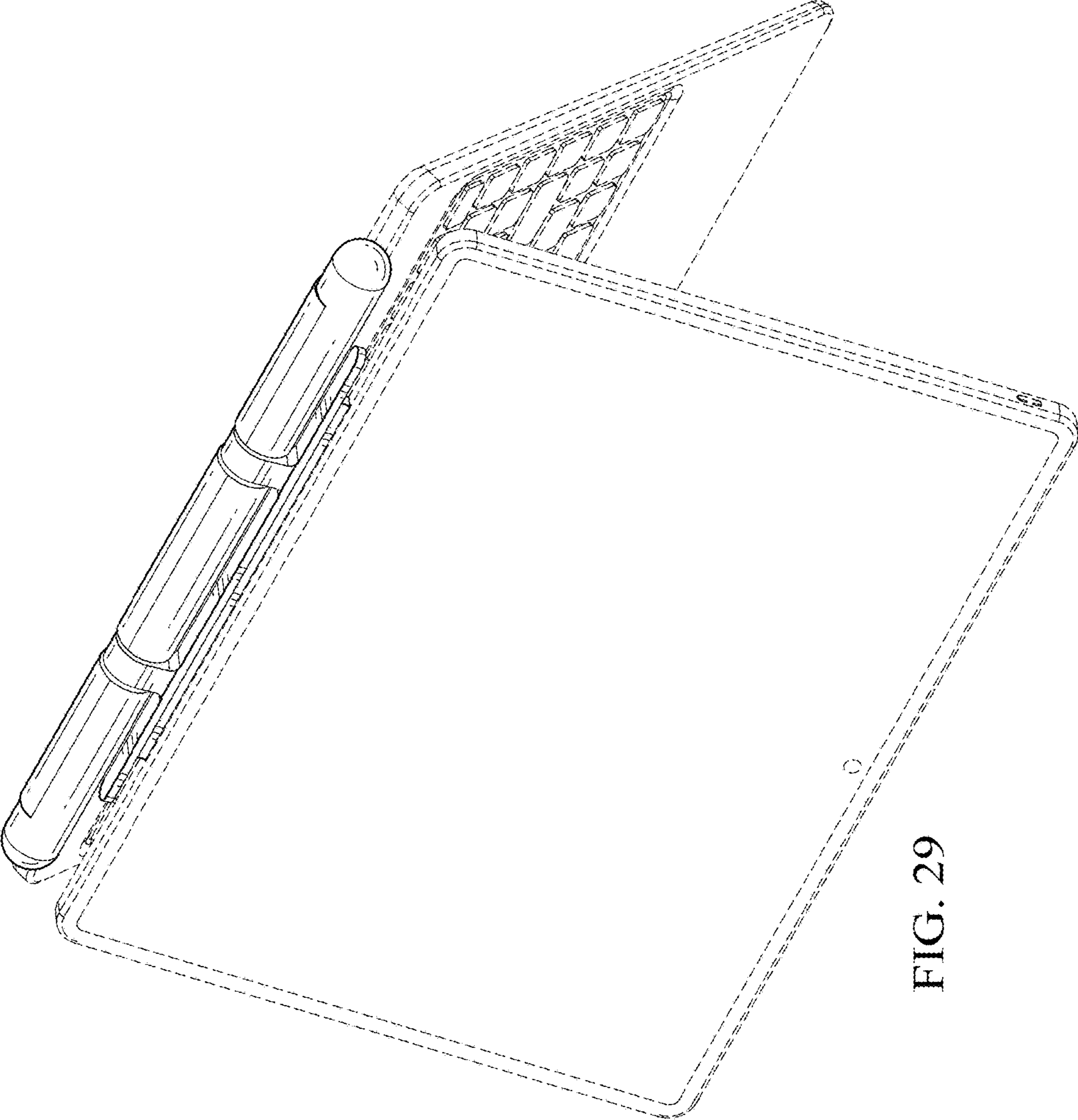


FIG. 29

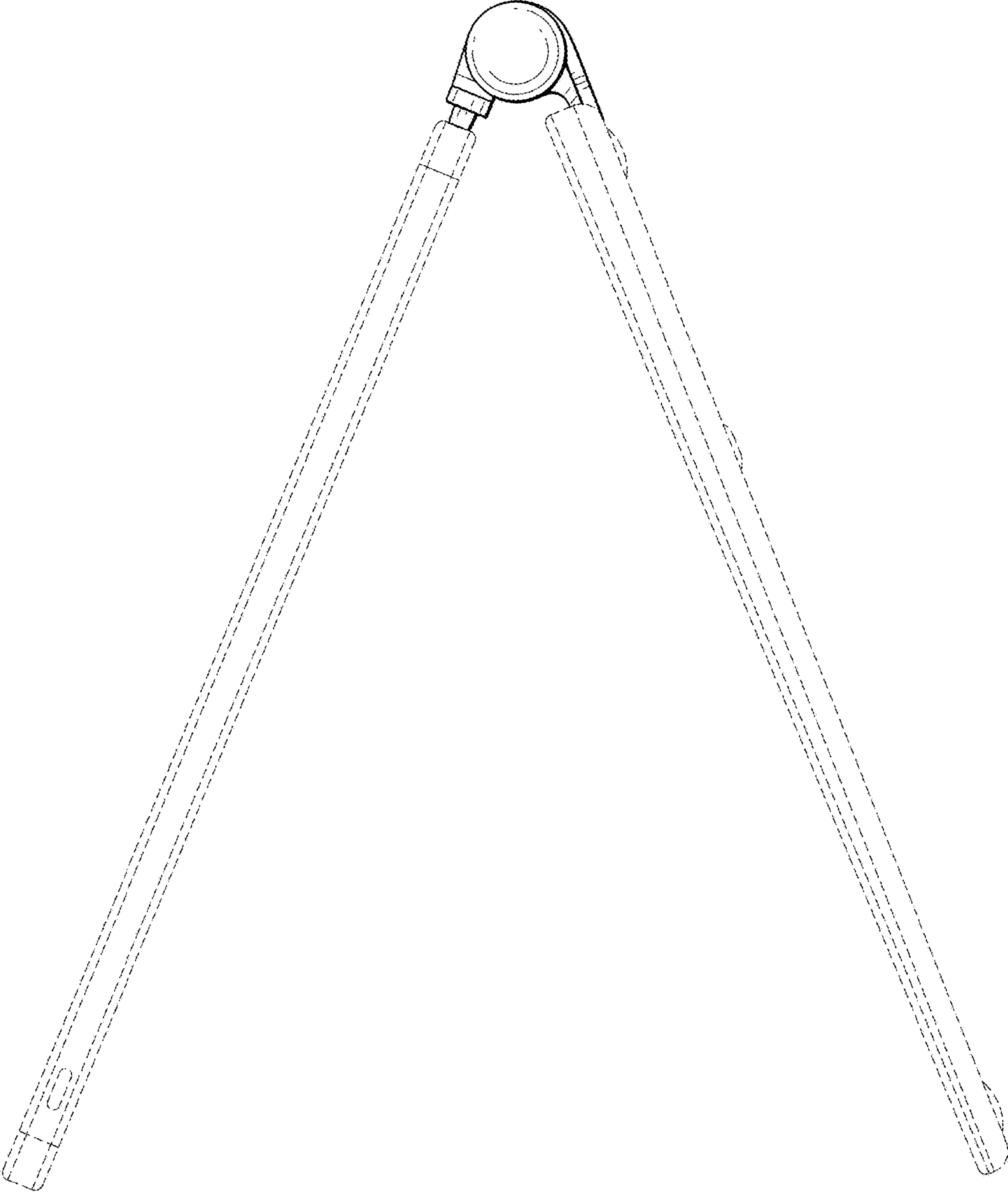


FIG. 30