

US00D798302S

(12) **United States Design Patent** (10) **Patent No.:** **US D798,302 S**
Burmester (45) **Date of Patent:** **** Sep. 26, 2017**

(54) **COVER FOR A COMPUTER**
 (71) Applicant: **ERGONOMIC SOLUTIONS INTERNATIONAL LIMITED**, Surrey (GB)
 (72) Inventor: **Benny Burmester**, Surrey (GB)
 (73) Assignee: **Ergonomic Solutions International, Ltd.**, Surrey (GB)
 (**) Term: **15 Years**
 (21) Appl. No.: **29/561,409**
 (22) Filed: **Apr. 15, 2016**

D451,094 S 11/2001 Powell
 D587,695 S * 3/2009 Leng D14/240
 D605,645 S * 12/2009 Kettula D14/253
 D641,756 S 7/2011 Hsieh et al.
 D643,029 S 8/2011 Feng
 D661,646 S * 6/2012 Son D13/108
 D668,660 S 10/2012 Norfolk
 D677,249 S * 3/2013 Li D14/250
 D678,293 S 3/2013 Meehan
 D687,427 S 8/2013 Peterson
 D698,772 S 2/2014 Merenda
 D718,316 S 11/2014 Veltz et al.
 D753,122 S * 4/2016 Li D14/440
 9,313,905 B2 * 4/2016 Merenda B65H 75/48
 9,392,349 B2 * 7/2016 Merenda H04R 1/1033
 D766,247 S * 9/2016 Burmester D14/440

* cited by examiner

Related U.S. Application Data

(62) Division of application No. 29/519,815, filed on Mar. 9, 2015, now Pat. No. Des. 766,247.
 (51) **LOC (10) Cl.** **14-02**
 (52) **U.S. Cl.**
 USPC **D14/440**
 (58) **Field of Classification Search**
 USPC D14/250, 440, 447; 206/45.23, 320, 206/45.2; 361/679.55; 294/25; 224/218
 CPC G06F 1/1628; G06F 1/1613; G06F 1/1626; A47B 23/044
 See application file for complete search history.

References Cited

U.S. PATENT DOCUMENTS

D397,246 S 8/1998 Hoofnagle et al.
 D448,761 S 10/2001 Powell
 D448,762 S 10/2001 Powell

Primary Examiner — Cynthia Underwood

(74) *Attorney, Agent, or Firm* — Brent P. Johnson; Berg Hill Greenleaf Ruscitti LLP

(57) **CLAIM**

I claim the ornamental design for a cover for a computer, as shown and described.

DESCRIPTION

FIG. 1 is a front view of a cover for a computer showing my new design;
 FIG. 2 is a front perspective view thereof;
 FIG. 3 is a rear perspective view thereof;
 FIG. 4 is a rear view thereof;
 FIG. 5 is a top view thereof;
 FIG. 6 is a right side view thereof, the left side being a mirror image thereof; and,
 FIG. 7 is a bottom view thereof.

1 Claim, 3 Drawing Sheets

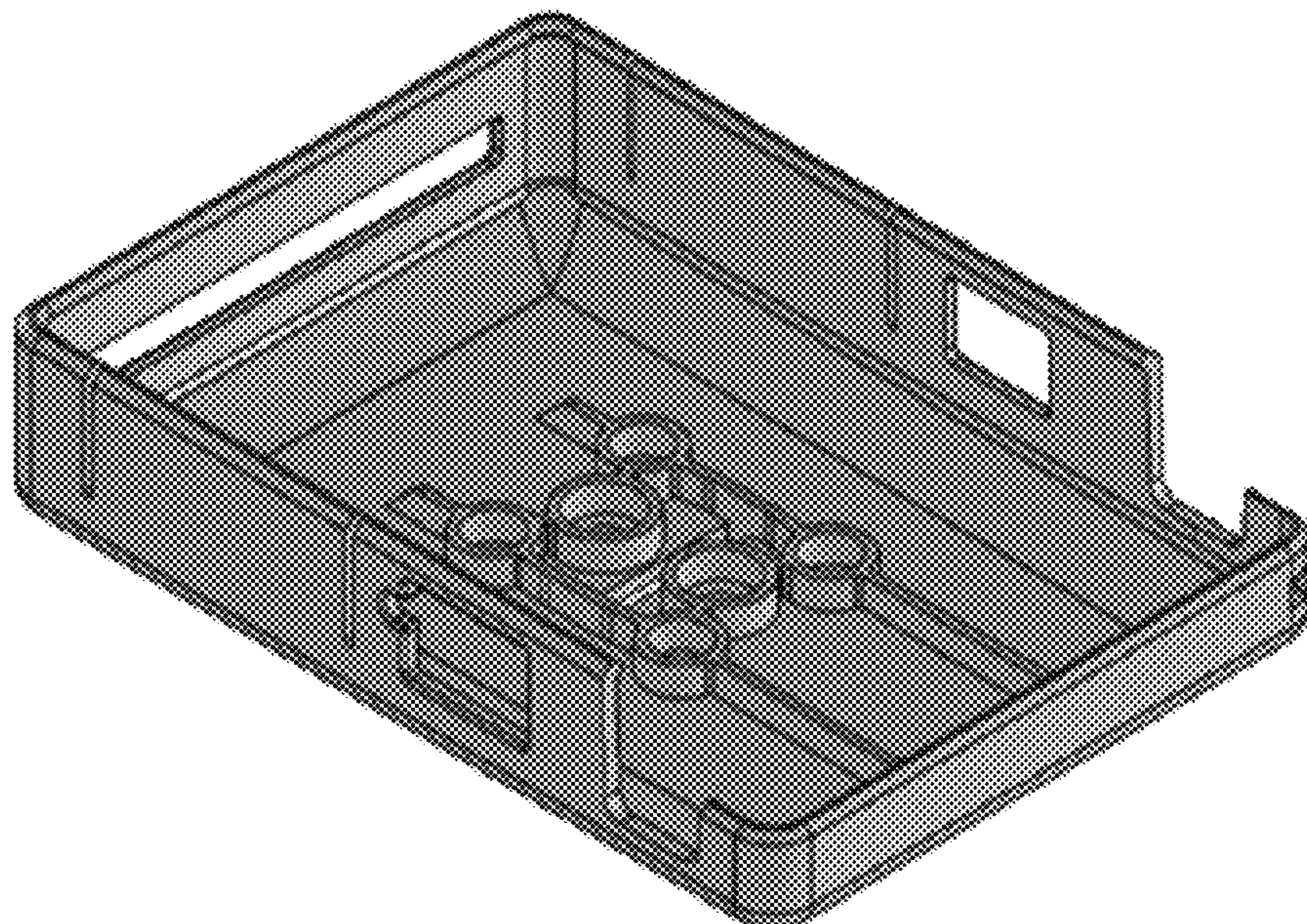


Fig. 1

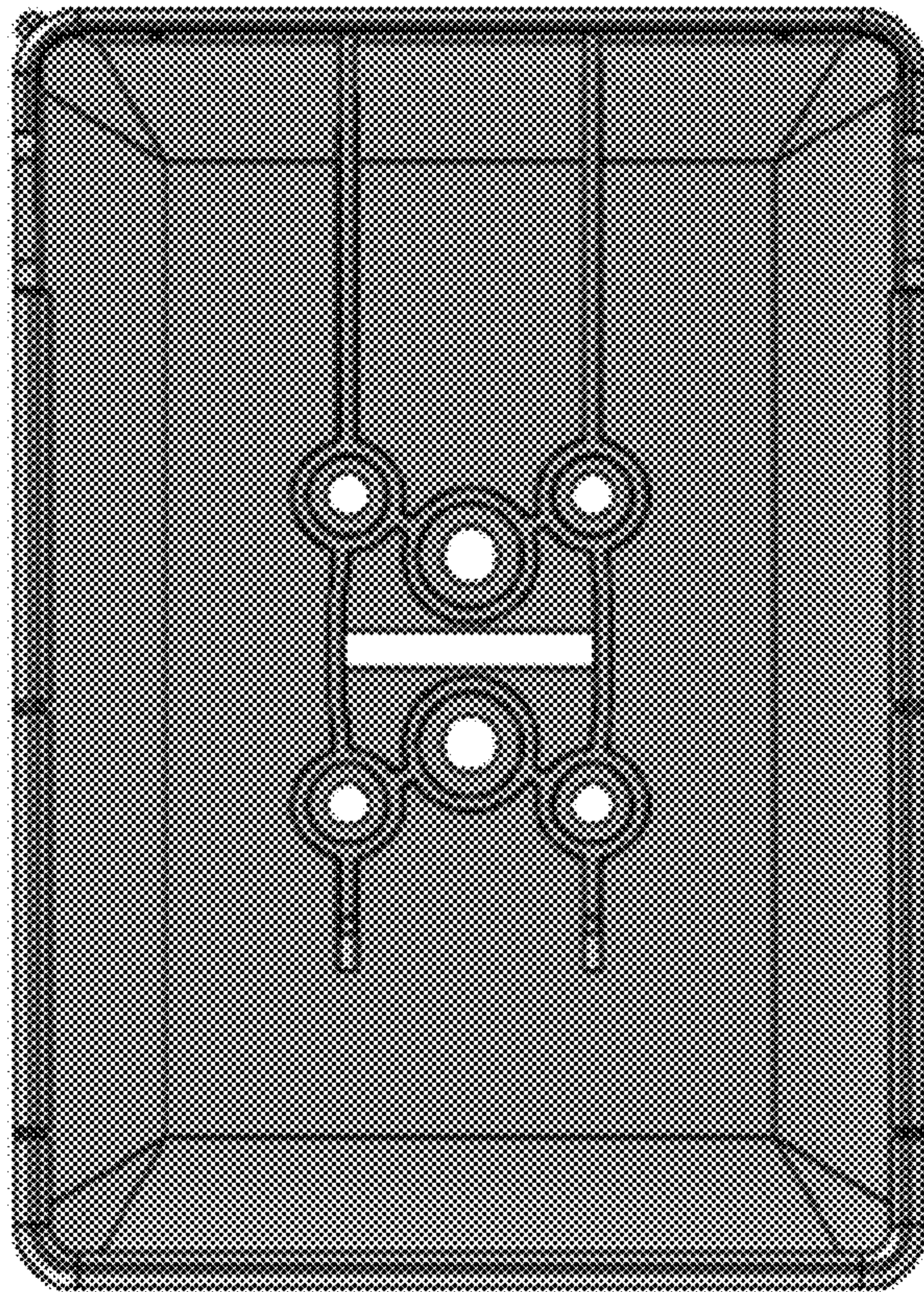
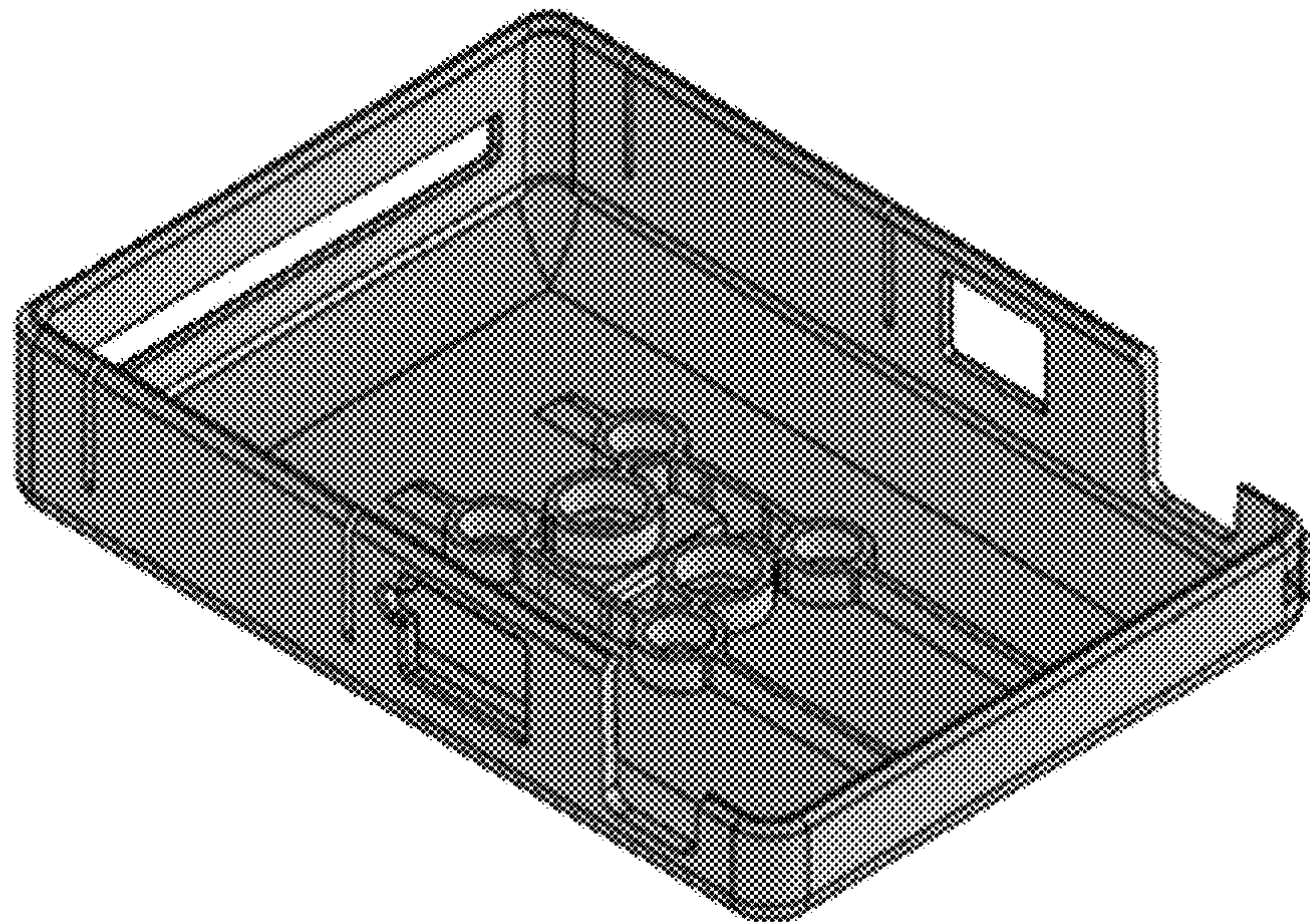


Fig. 2



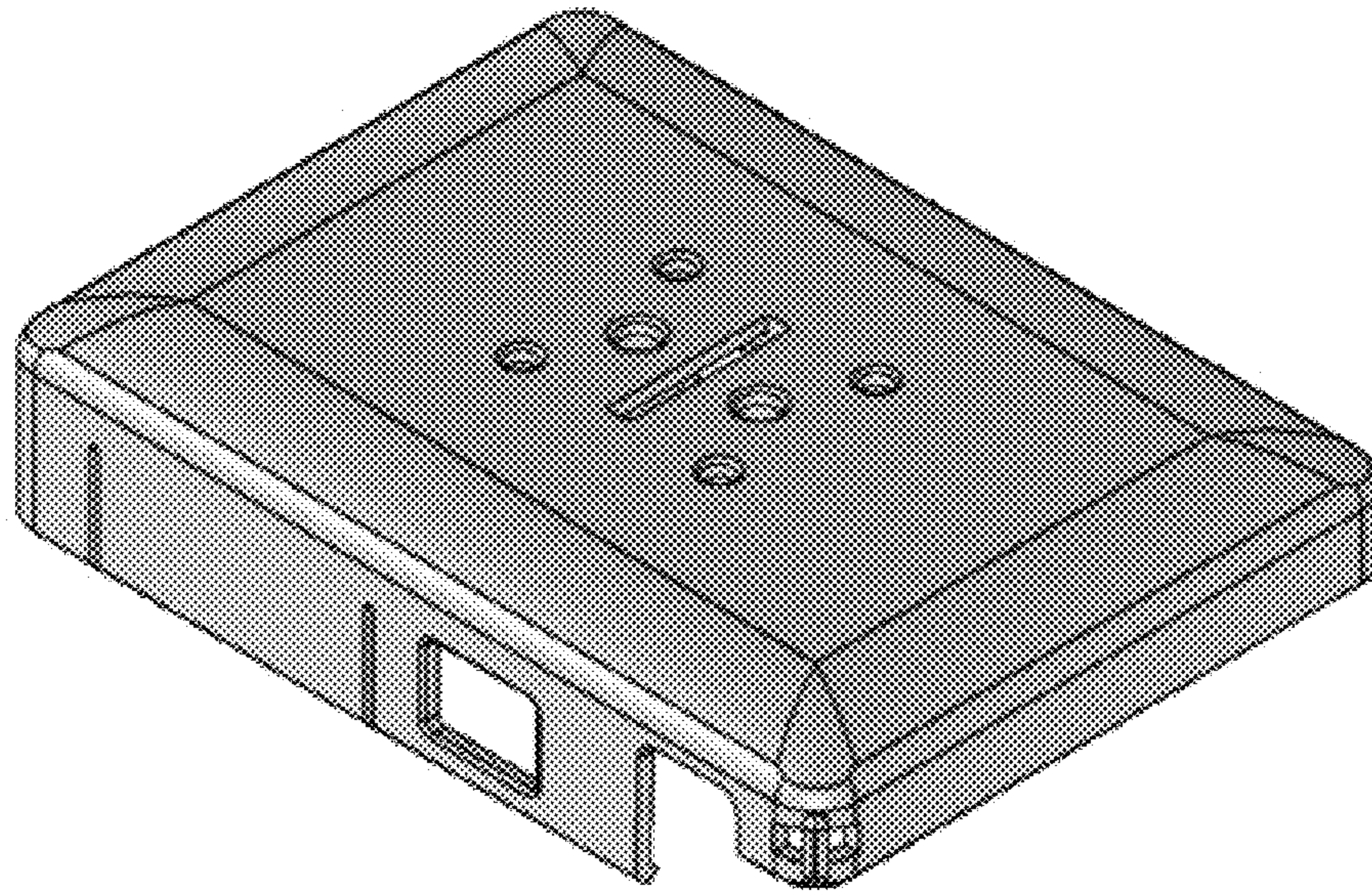


Fig. 3

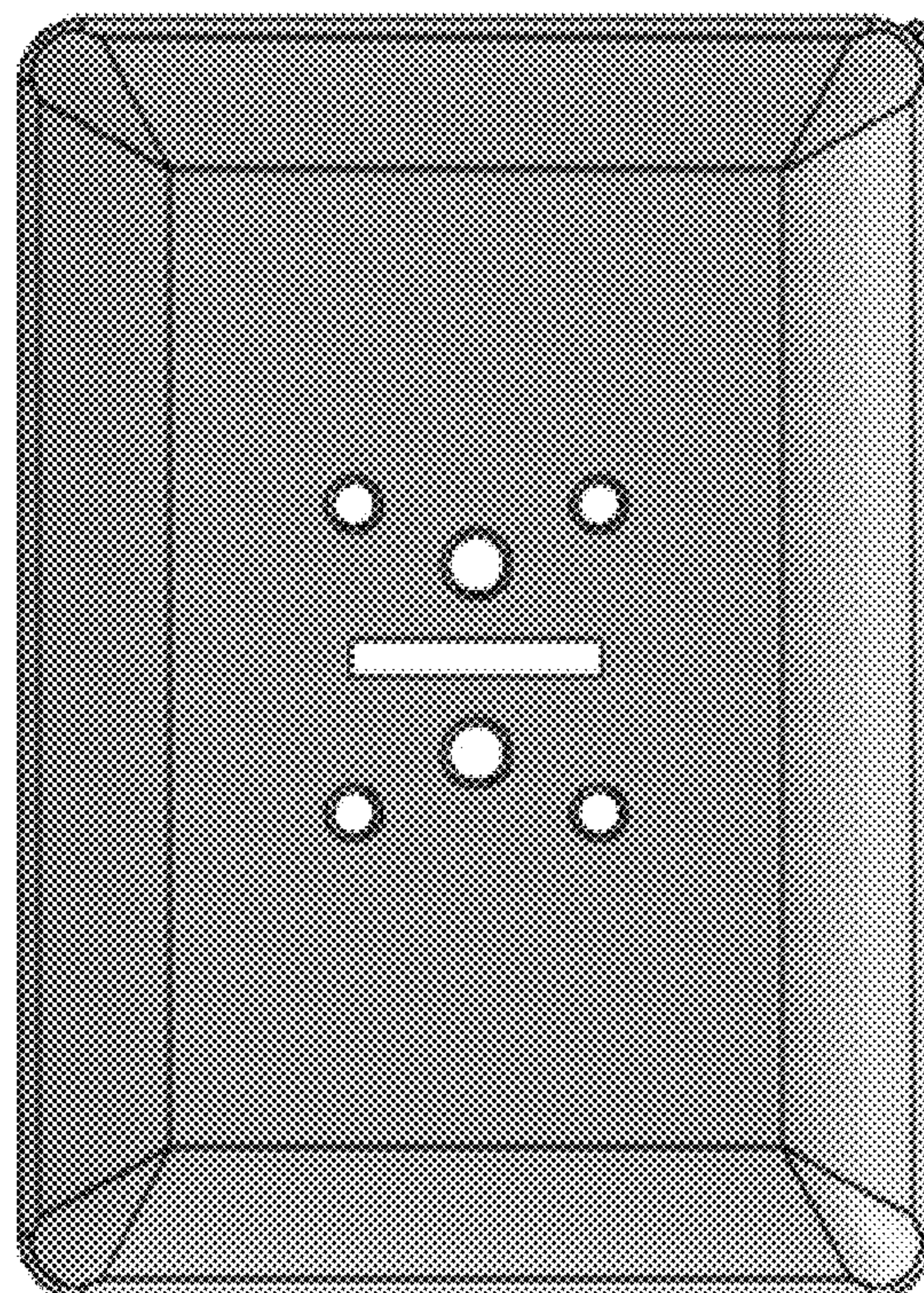


Fig. 4

Fig. 5

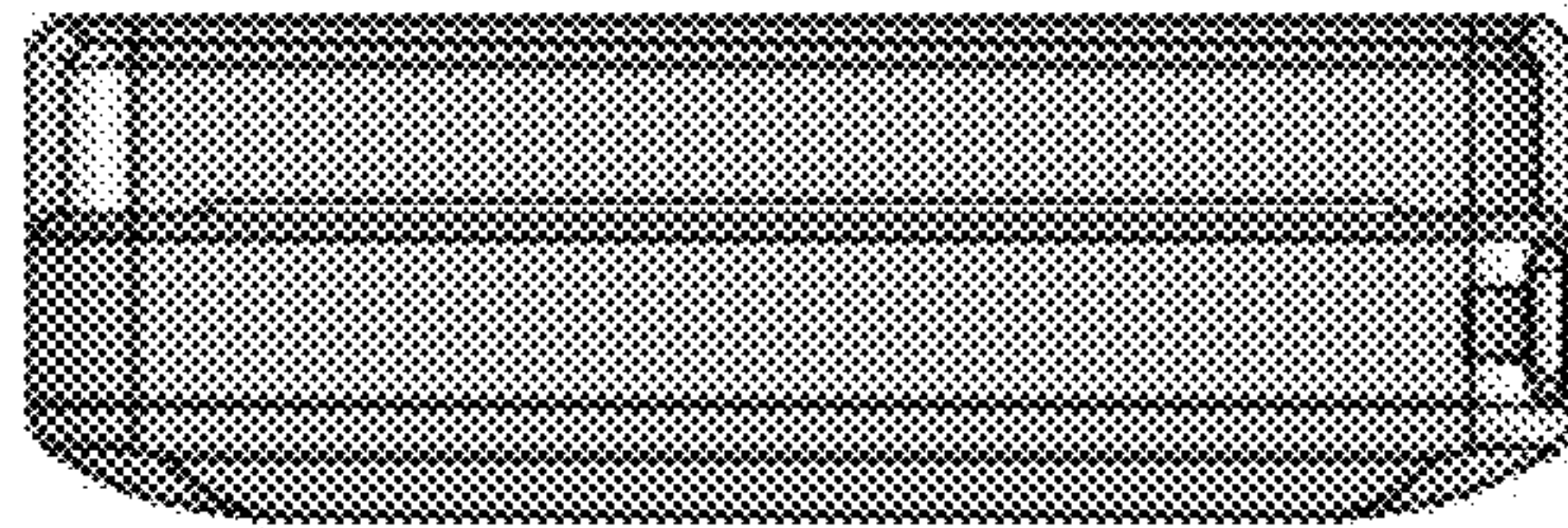


Fig. 6

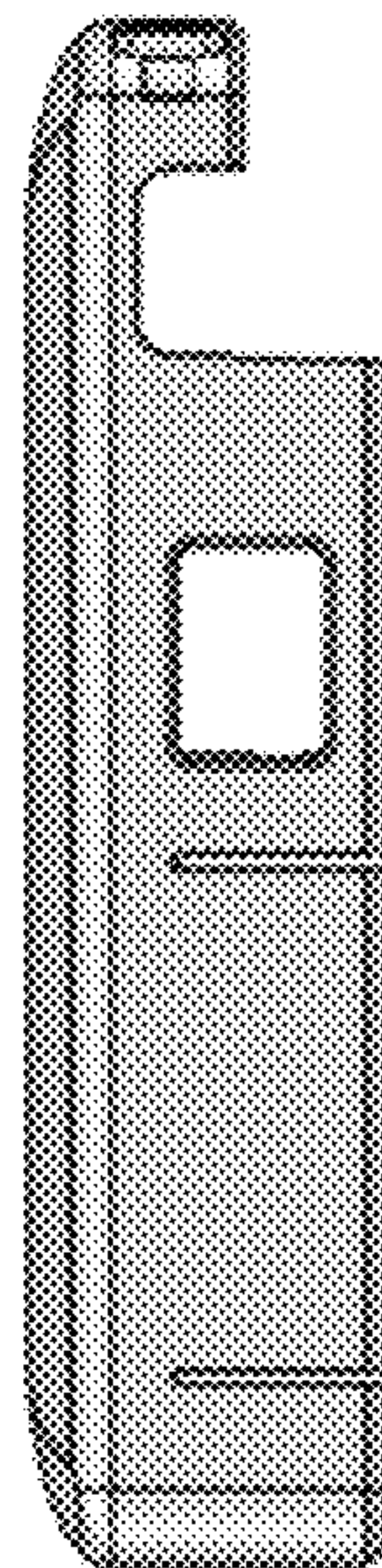


Fig. 7

