



US00D798301S

(12) **United States Design Patent**
Kujawski et al.

(10) **Patent No.:** **US D798,301 S**

(45) **Date of Patent:** **** Sep. 26, 2017**

(54) **DISPLAY ADAPTER**

(71) Applicant: **Microsoft Corporation**, Redmond, WA (US)

(72) Inventors: **Christopher Kujawski**, Seattle, WA (US); **Jan Raken**, Seattle, WA (US); **Ralf Groene**, Kirkland, WA (US); **Young Soo Kim**, Seattle, WA (US); **Kaitlyn Schoeck**, Seattle, WA (US)

(73) Assignee: **Microsoft Corporation**, Redmond, WA (US)

(**) Term: **15 Years**

(21) Appl. No.: **29/540,591**

(22) Filed: **Sep. 25, 2015**

(51) **LOC (10) Cl.** **14-02**

(52) **U.S. Cl.**
USPC **D14/433**

(58) **Field of Classification Search**
USPC D14/240, 242, 356, 358, 363, 365, 367, D14/370, 432-437, 439, 498, 125, 366, D14/168, 496; D13/147, 164, 123, 133, D13/146, 110, 199, 103, 162, 159, 160, D13/184; 361/683, 684, 686, 724, 735, 361/737, 752; D18/40
CPC H01R 25/006; H01R 27/02; H01R 31/005; G06F 13/4022; G06F 13/382; G06F 1/1632; G06F 1/1684; G06F 1/20; G06F 1/1607

See application file for complete search history.

(56) **References Cited**

U.S. PATENT DOCUMENTS

D600,652 S * 9/2009 Hong D13/154
D636,337 S * 4/2011 Smith D13/147

D694,243 S * 11/2013 Akana D14/433
D706,752 S * 6/2014 Myung D14/240
D707,180 S * 6/2014 Yi D13/147
D730,903 S * 6/2015 Langhammer D14/433
D731,489 S * 6/2015 Langhammer D14/433
D732,035 S * 6/2015 Akana D14/433
D733,142 S * 6/2015 Solomon D14/433
D743,965 S * 11/2015 Laffon de Mazieres D13/154
D746,291 S * 12/2015 Solomon D14/433
D751,560 S * 3/2016 Akana D14/433
D755,790 S * 5/2016 Salvatori D14/433
D756,817 S * 5/2016 Fries D10/78
D760,720 S * 7/2016 Laffon de Mazieres D14/433
D761,262 S * 7/2016 Solomon D14/433
D763,197 S * 8/2016 Beck D13/153
D784,340 S * 4/2017 Laffon de Mazieres D14/433
D788,112 S * 5/2017 Liao D14/433

* cited by examiner

Primary Examiner — Austin Murphy

(74) *Attorney, Agent, or Firm* — Banner & Witcoff, Ltd.

(57) **CLAIM**

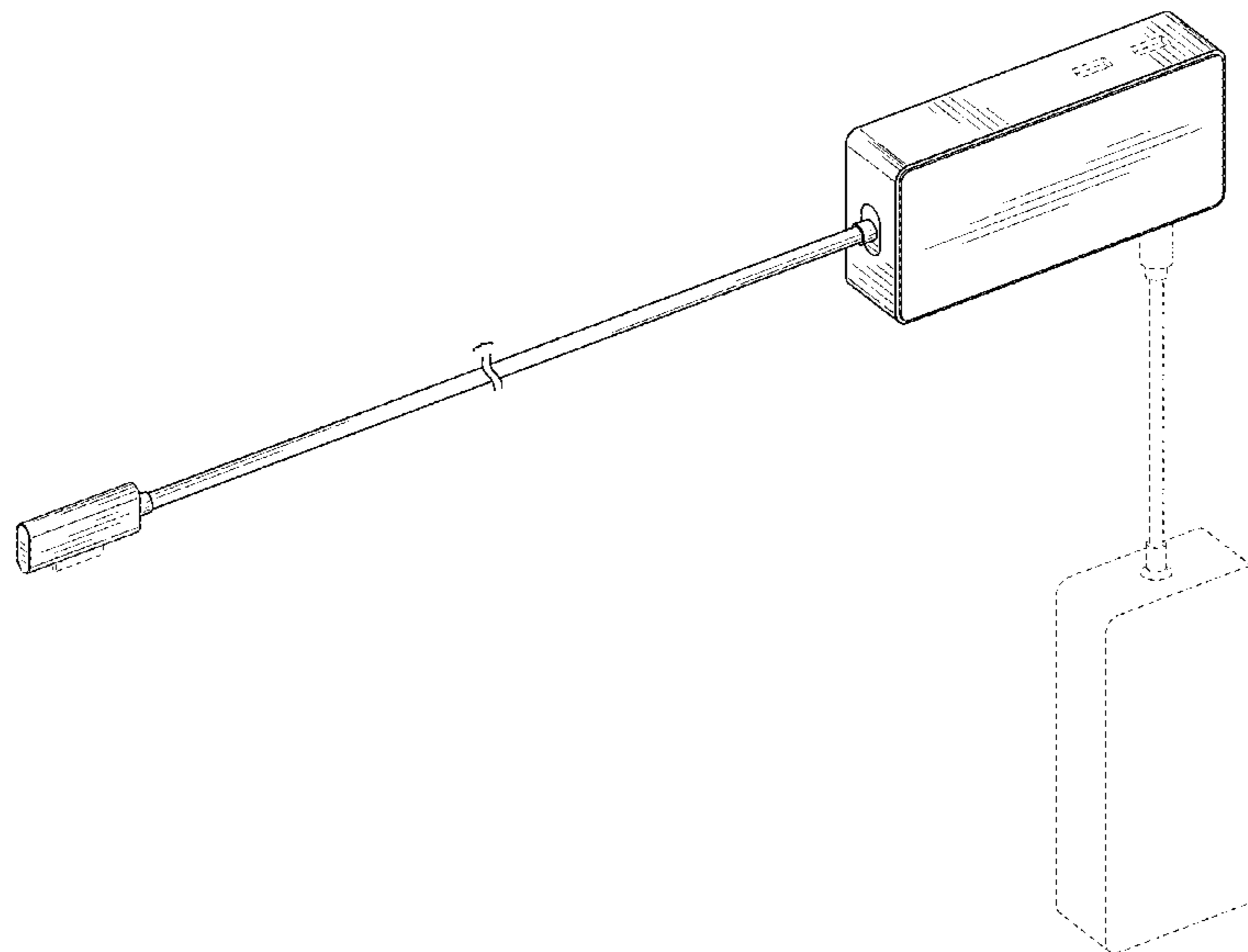
The ornamental design for a display adapter, as shown and described.

DESCRIPTION

FIG. 1 is a bottom perspective view of a display adapter showing our new design;
FIG. 2 is a bottom view thereof;
FIG. 3 is a top view thereof;
FIG. 4 is a rear view thereof;
FIG. 5 is a front view thereof;
FIG. 6 is a right side view thereof; and,
FIG. 7 is a left side view thereof.

The broken line showing of various features of the display adapter in the figures is for environmental purposes and forms no part of the claimed design.

1 Claim, 5 Drawing Sheets



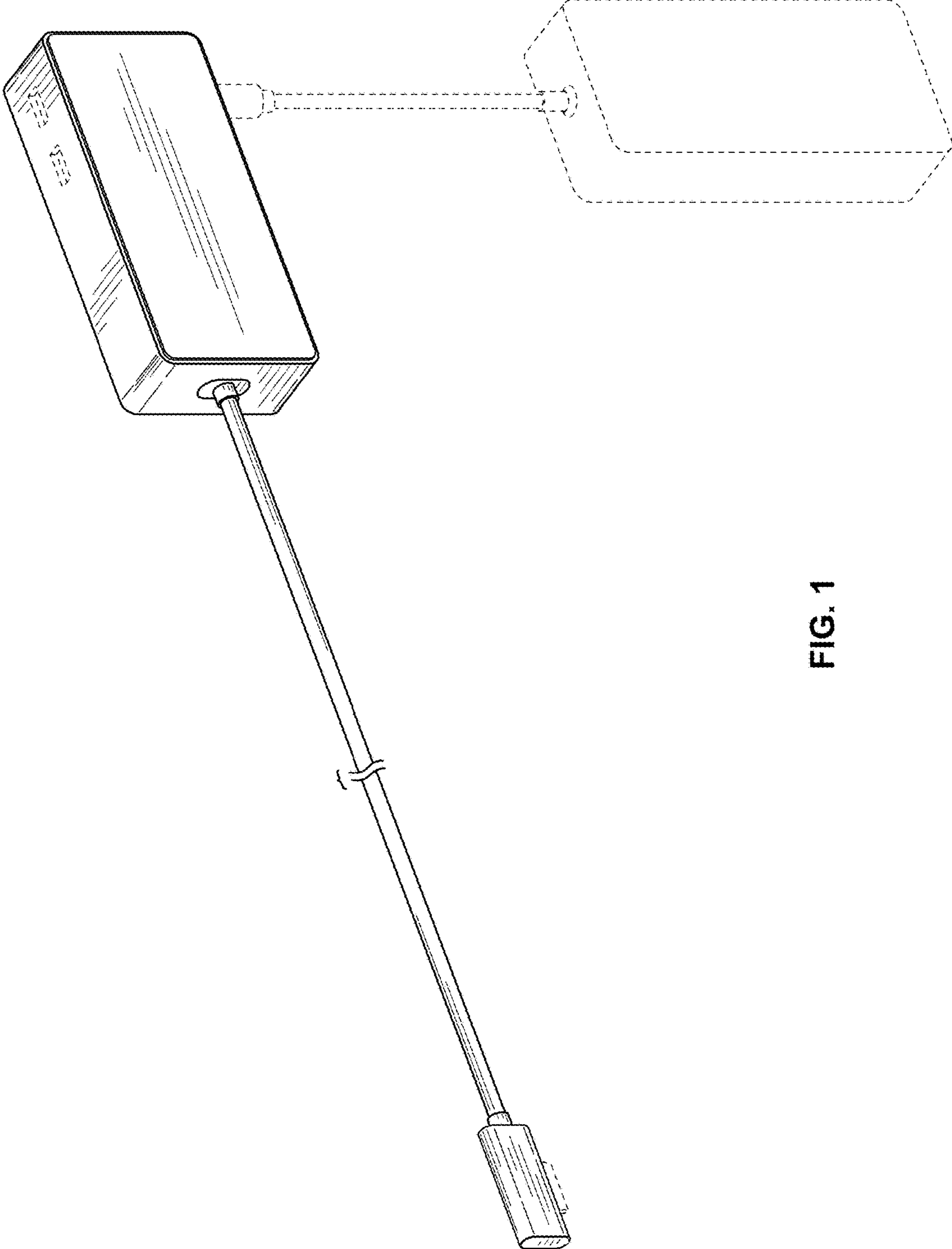


FIG. 1

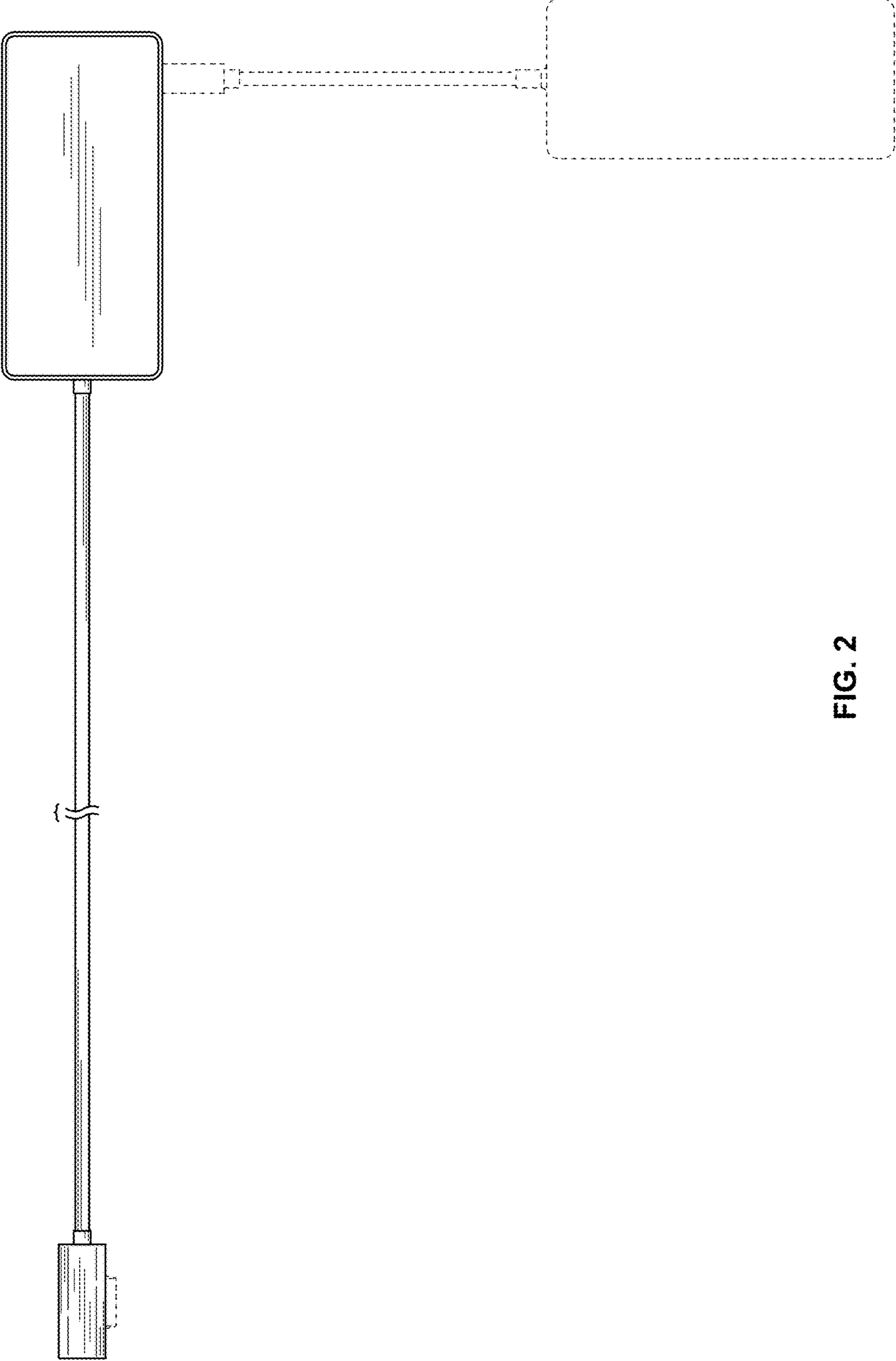


FIG. 2

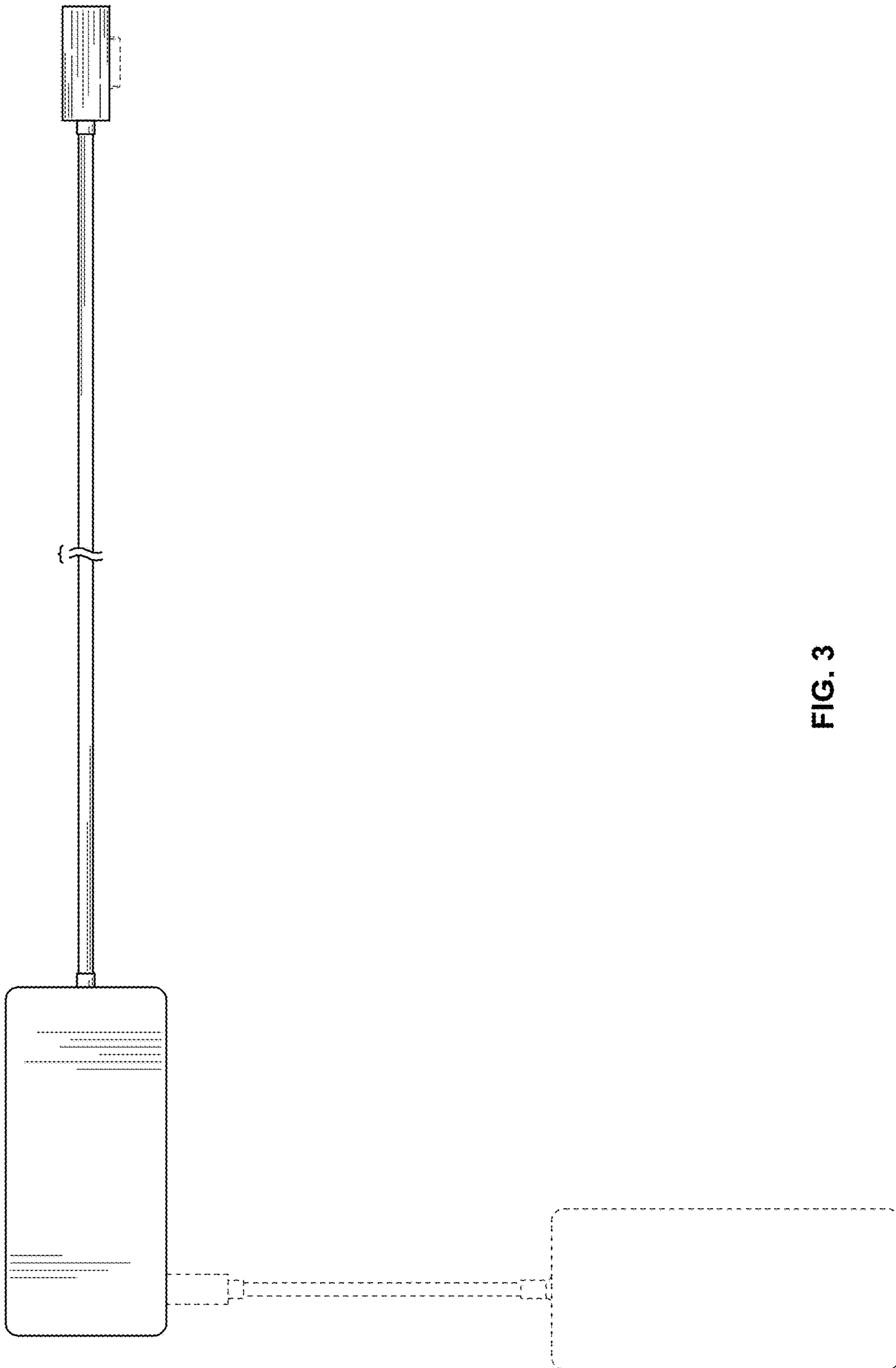


FIG. 3

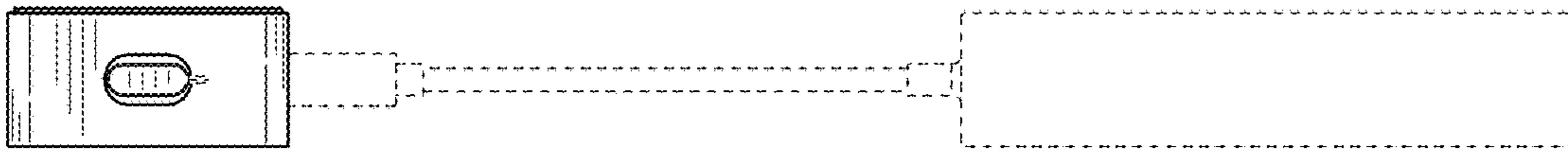


FIG. 5

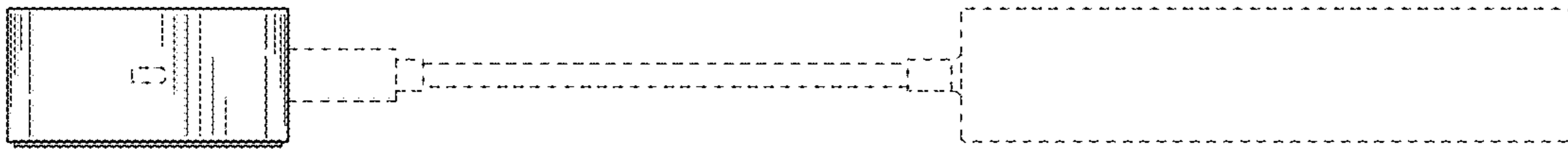


FIG. 4

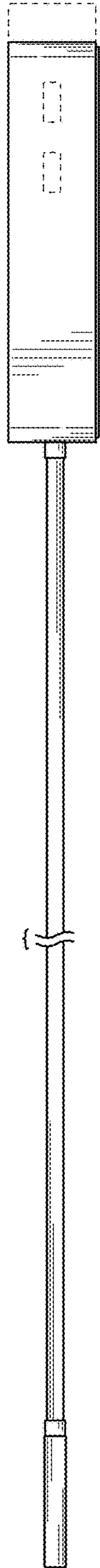


FIG. 6

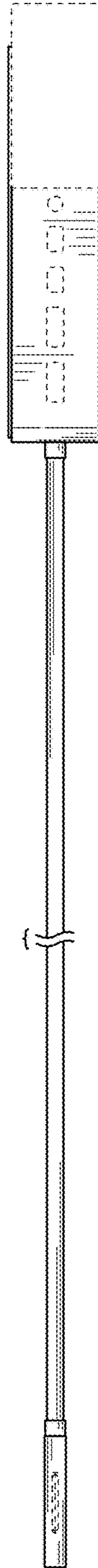


FIG. 7