



(12) **United States Design Patent**
Bowden et al.

(10) **Patent No.:** **US D798,300 S**
(45) **Date of Patent:** **** Sep. 26, 2017**

(54) **COMPUTER MOUSE**

(71) Applicants: **James Patrick Bowden**, Sidcup (GB);
Stephen Anthony Bowden, Sidcup (GB)

(72) Inventors: **James Patrick Bowden**, Sidcup (GB);
Stephen Anthony Bowden, Sidcup (GB)

(**) Term: **15 Years**

(21) Appl. No.: **29/571,852**

(22) Filed: **Jul. 22, 2016**

(30) **Foreign Application Priority Data**

Jul. 13, 2016 (EM) 003305119

(51) **LOC (10) Cl.** **14-02**

(52) **U.S. Cl.**
USPC **D14/408**

(58) **Field of Classification Search**
USPC D14/402-411, 356, 388, 389, 383-385,
D14/417, 426; 345/156-167; 463/36-38;
358/471, 473; 273/148 B
CPC G06F 3/03543; G06F 2203/0333; G06F
3/039; G06F 3/038; G06F 2203/0384
See application file for complete search history.

(56) **References Cited**

U.S. PATENT DOCUMENTS

D344,498 S * 2/1994 Leman D14/402
5,576,733 A * 11/1996 Lo G06F 3/03543
345/163

5,648,798 A * 7/1997 Hamling G06F 3/03543
345/163
D461,188 S * 8/2002 Lo D14/405
D511,518 S * 11/2005 Wu D14/402
D514,573 S * 2/2006 Yin D14/402
D632,691 S * 2/2011 Lo D14/409
D647,094 S * 10/2011 Bowden D14/410
D728,573 S * 5/2015 Deng D14/409
9,285,898 B2 * 3/2016 Bowden G06F 3/03543
2002/0105500 A1 * 8/2002 Edwards G06F 3/03543
345/163

* cited by examiner

Primary Examiner — Austin Murphy

(74) *Attorney, Agent, or Firm* — Marshall, Gerstein & Borun LLP

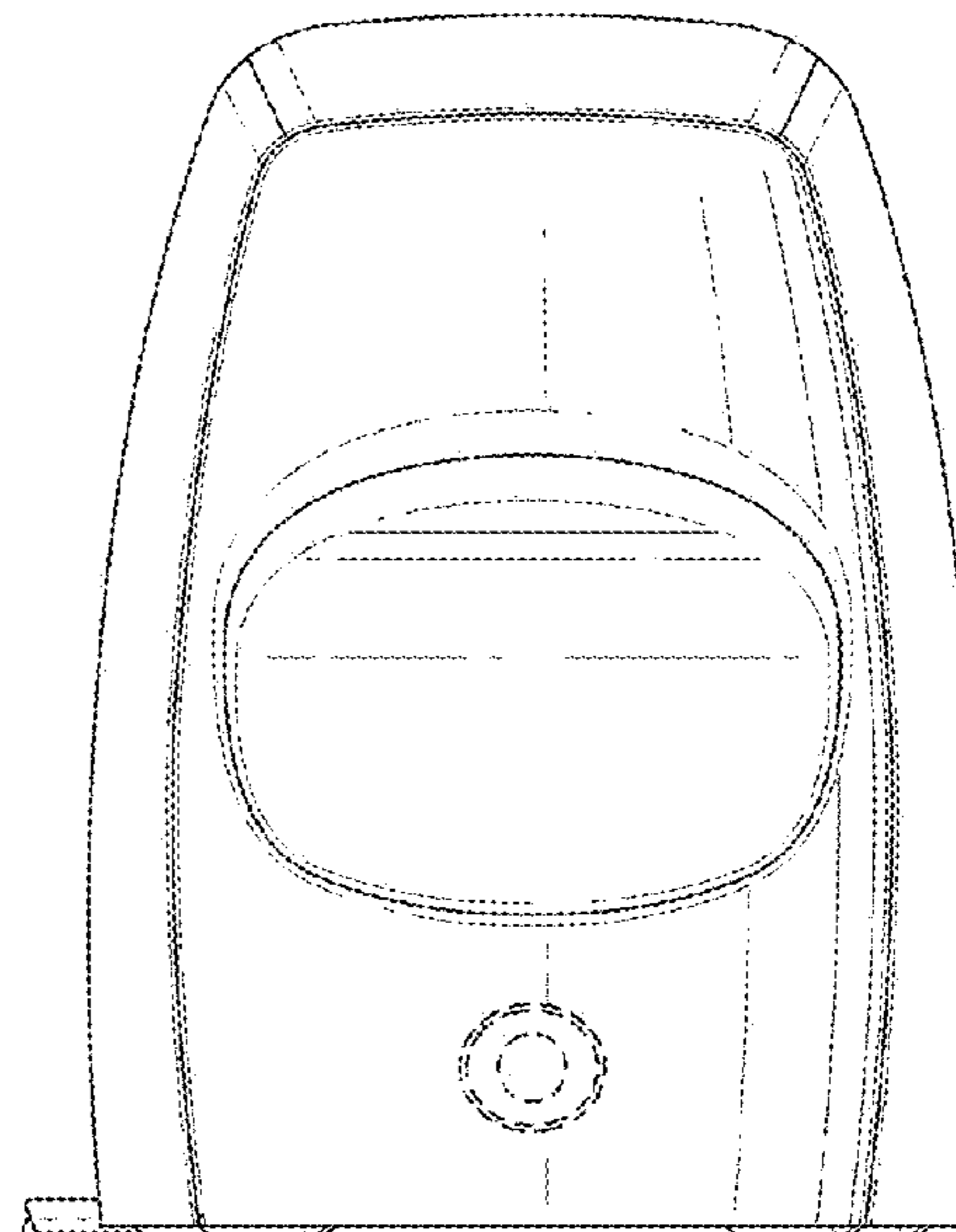
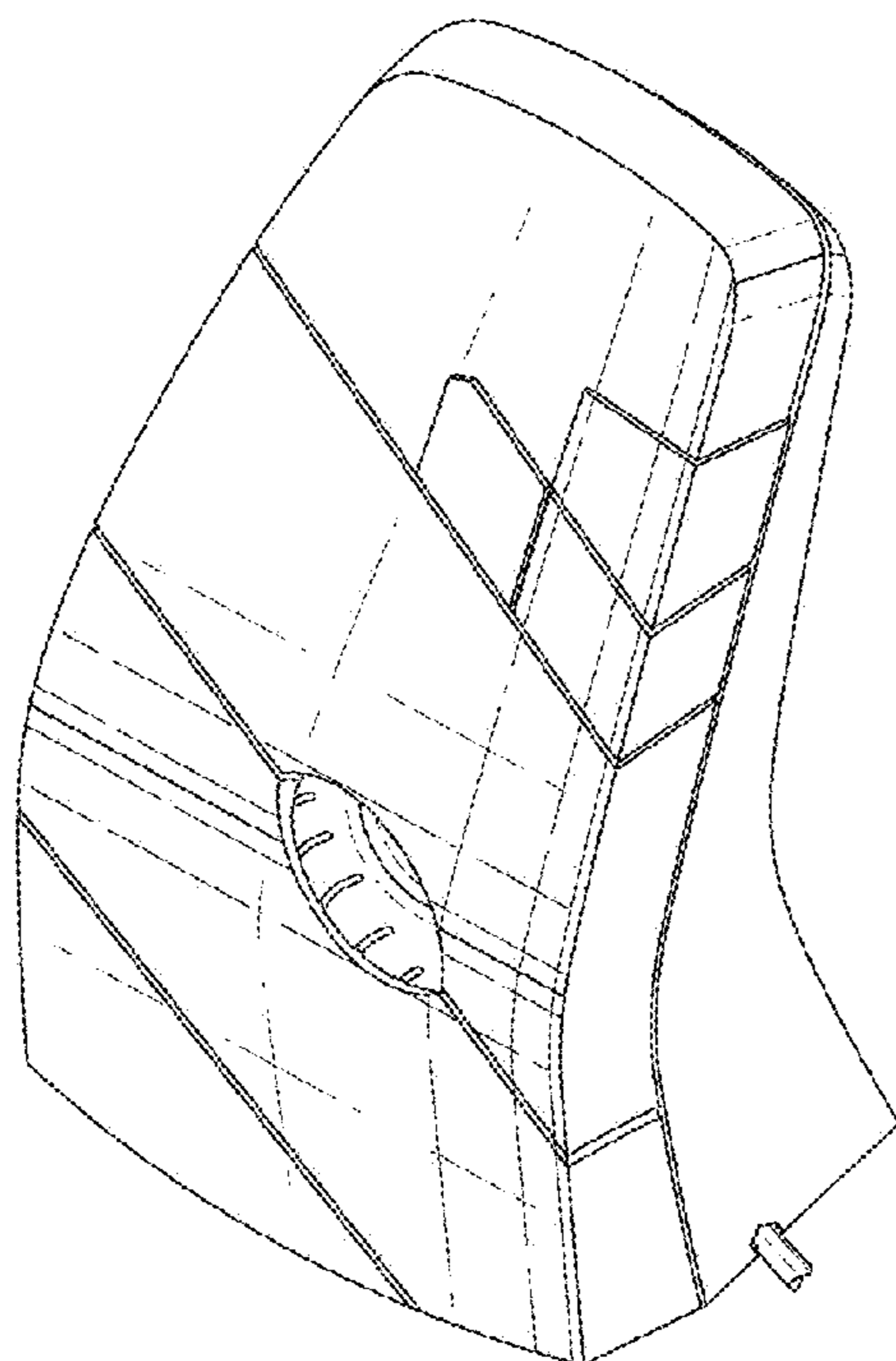
(57) **CLAIM**

The ornamental design for a computer mouse, as shown and described.

DESCRIPTION

FIG. 1 is a top, right-side, and front view of a computer mouse, showing the new design.
FIG. 2 is a front elevation view of the computer mouse.
FIG. 3 is a top plan view of the computer mouse.
FIG. 4 is a rear elevation view of the computer mouse.
FIG. 5 is a right-side elevation view of the computer mouse.
FIG. 6 is a bottom plan view of the computer mouse; and,
FIG. 7 is a left elevation view.
The broken line elements represent unclaimed parts of the computer mouse, and form no part of the claimed design.

1 Claim, 7 Drawing Sheets



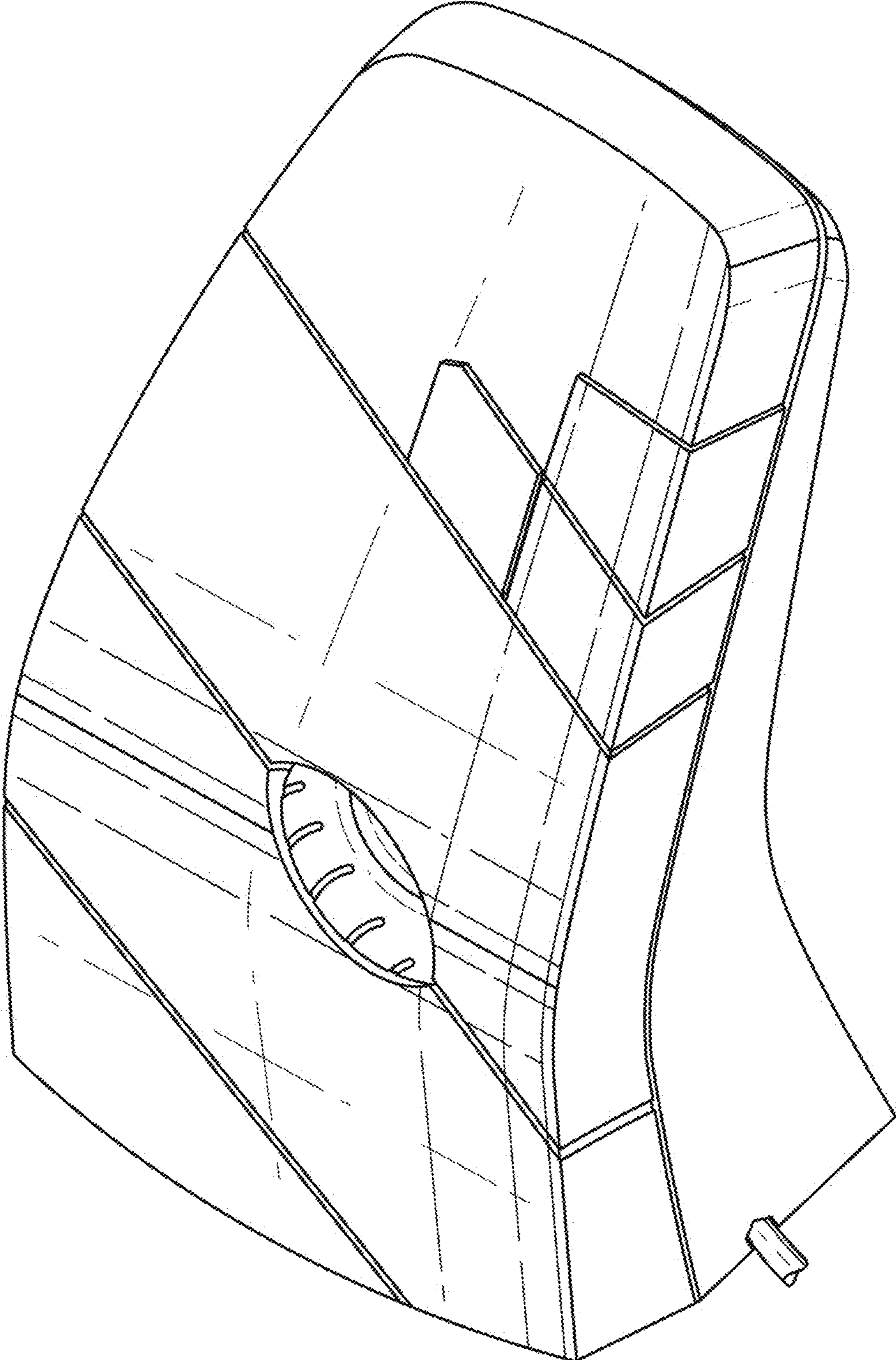


Fig. 1

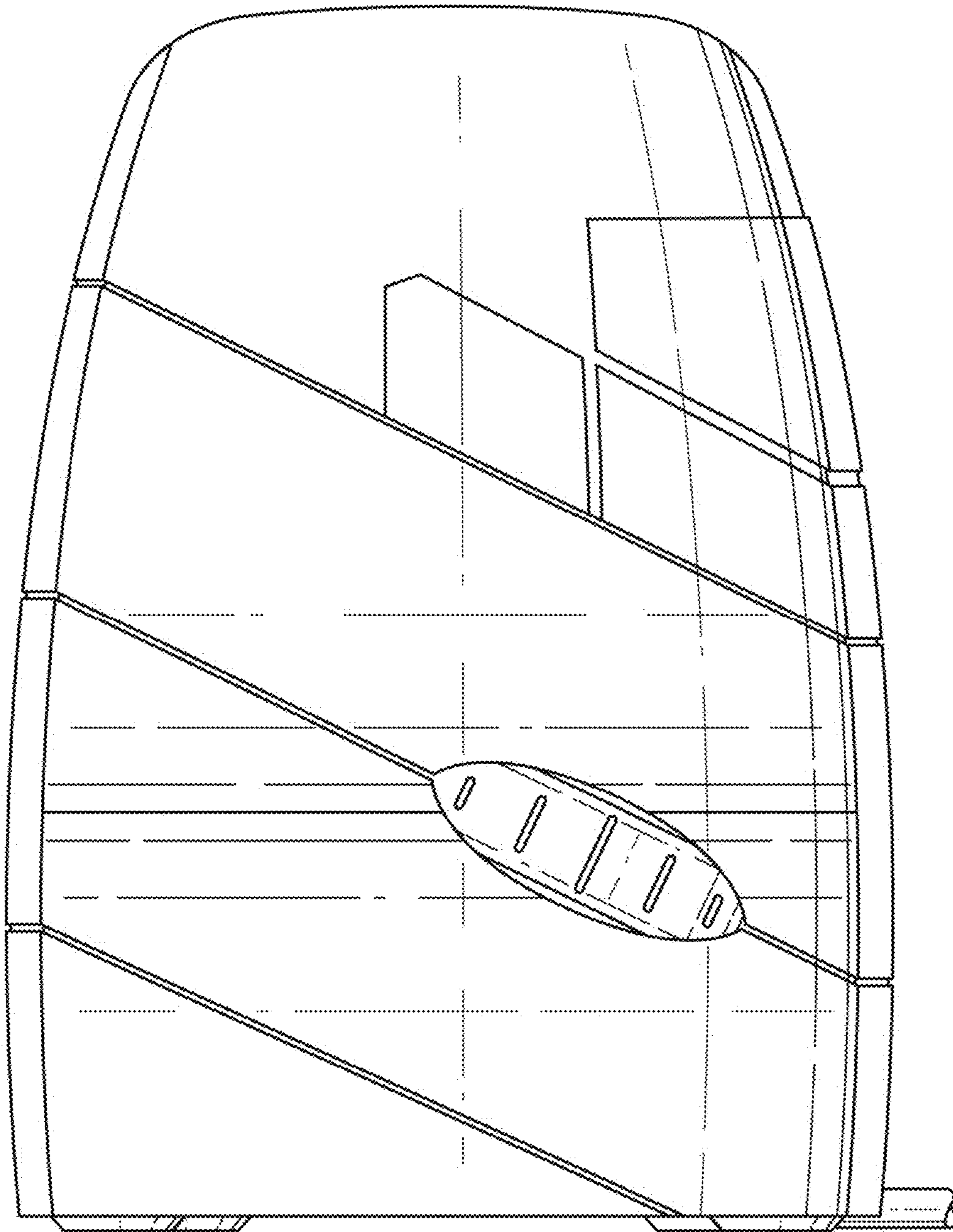


Fig. 2

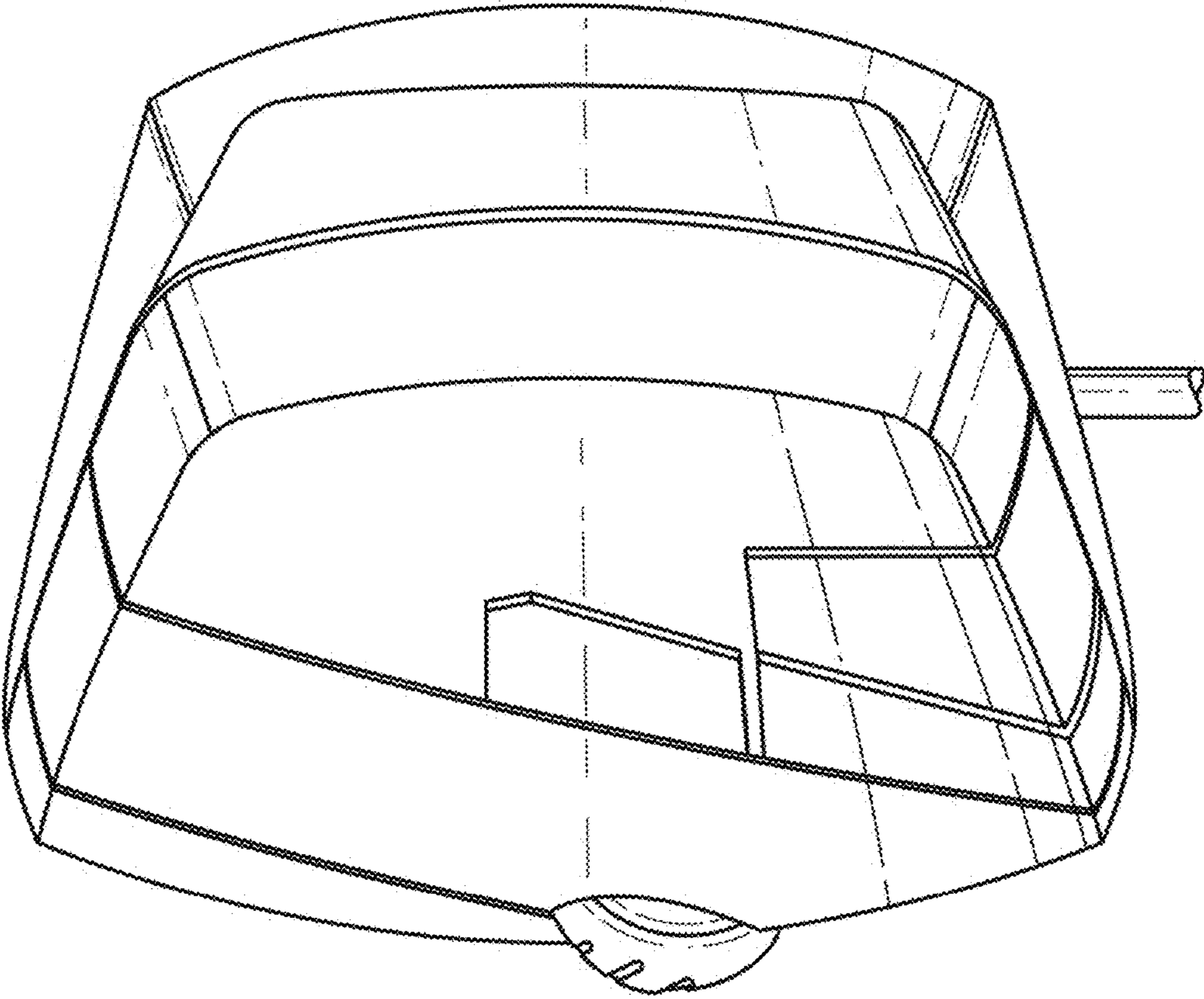


Fig. 3

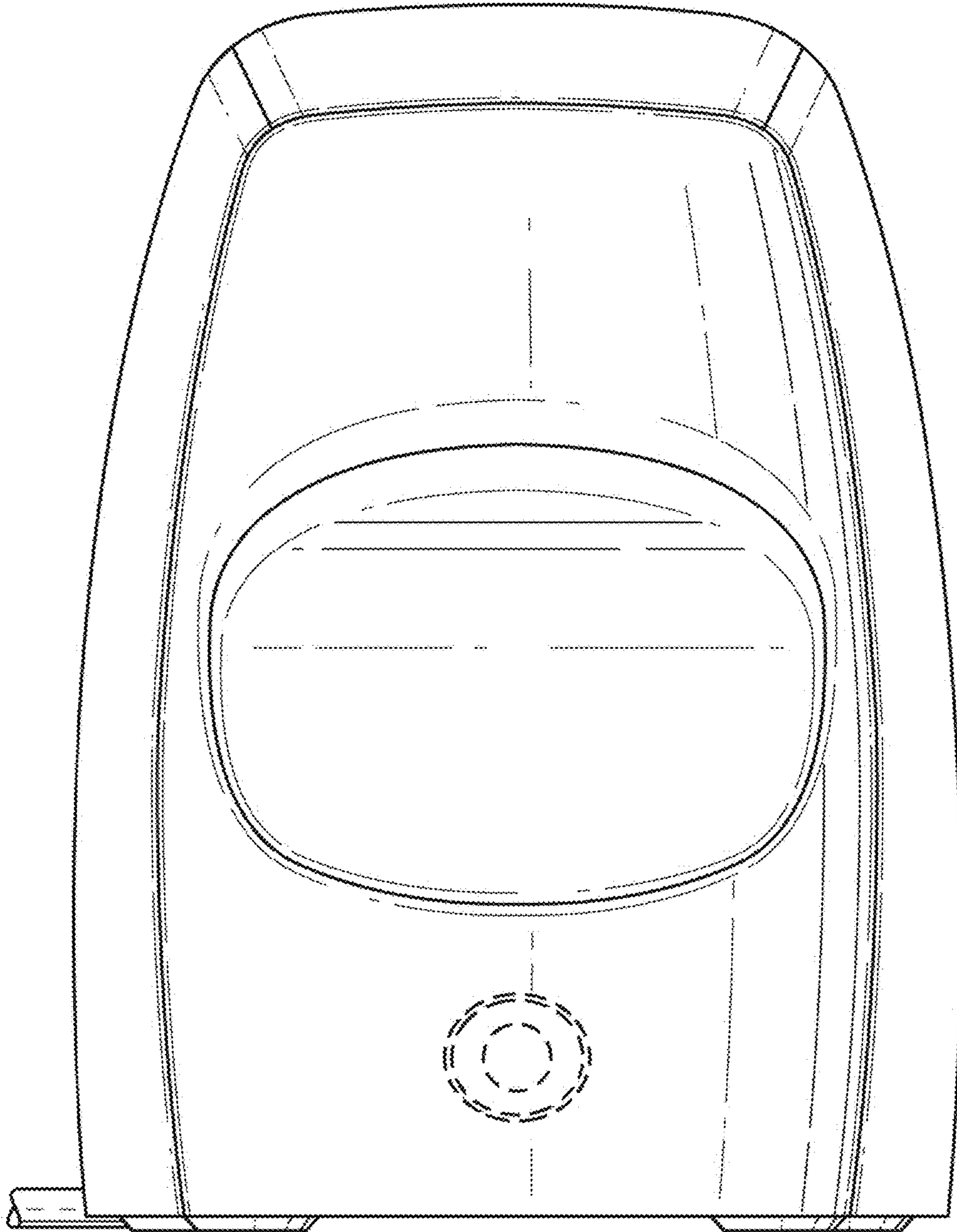


Fig. 4

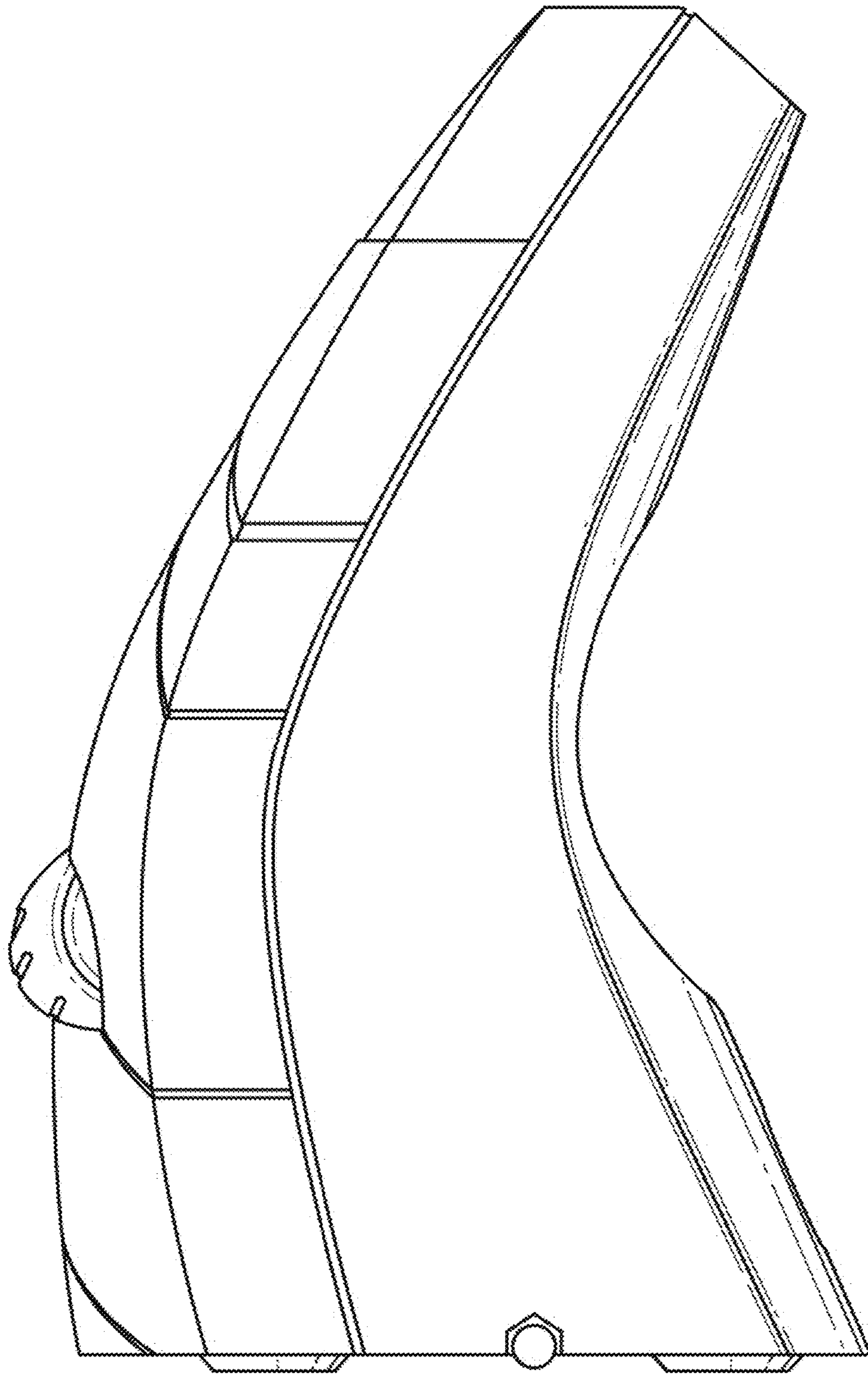


Fig. 5

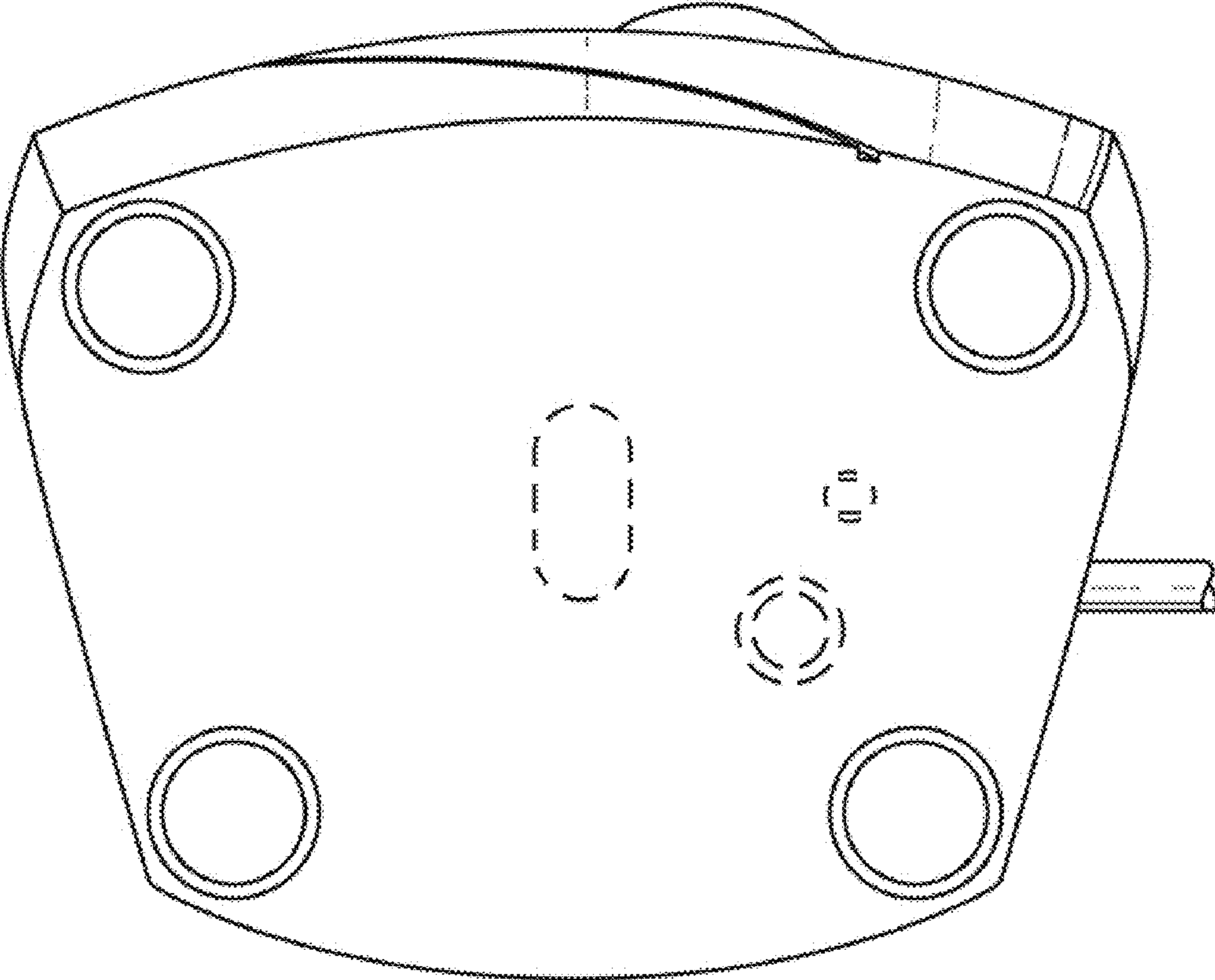


Fig. 6

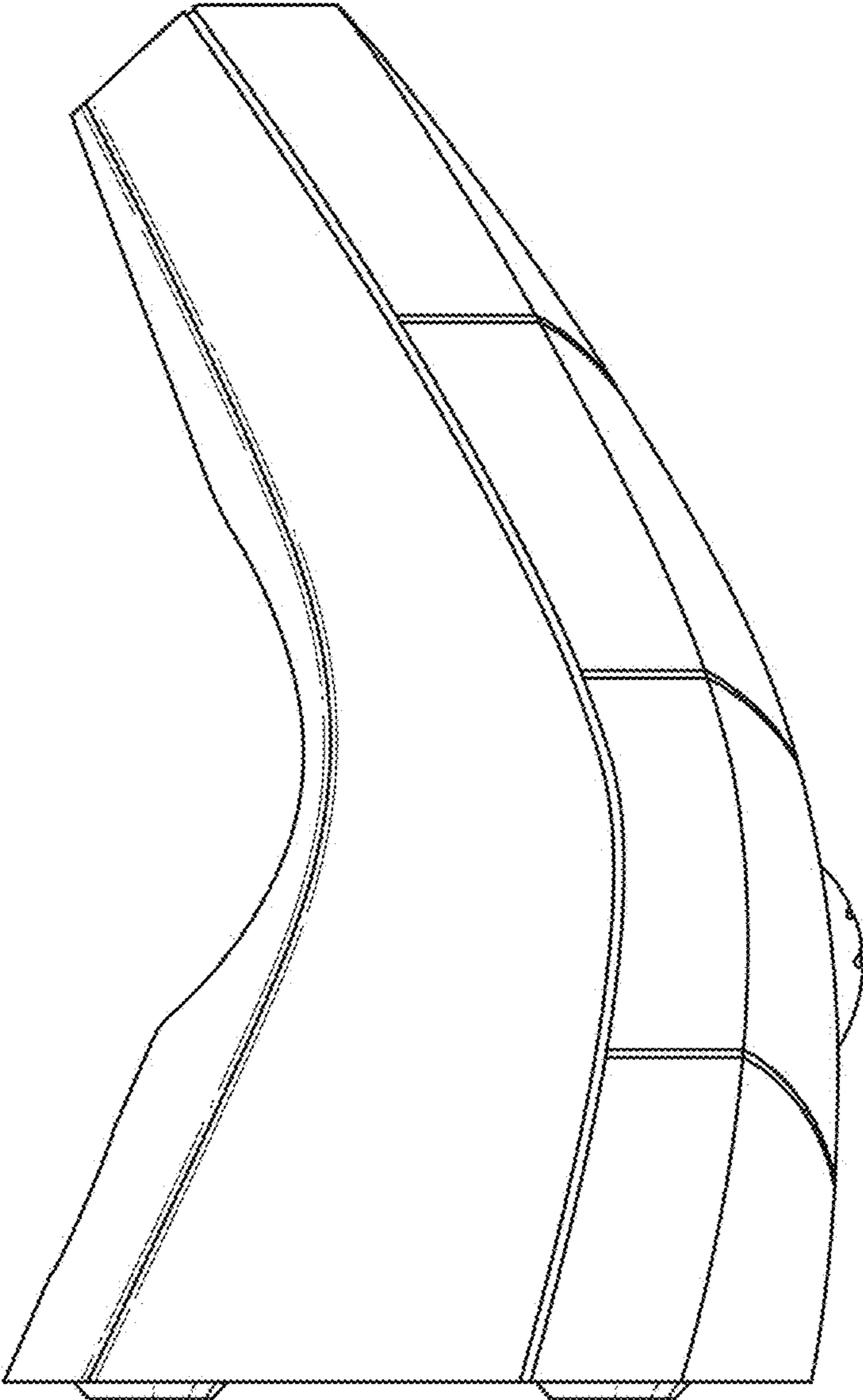


Fig. 7