



US00D798298S

(12) **United States Design Patent**  
**Haber et al.**

(10) **Patent No.:** **US D798,298 S**

(45) **Date of Patent:** **\*\* Sep. 26, 2017**

(54) **VIRTUAL REALITY HEADSET**

(71) Applicant: **TZUMI ELECTRONICS LLC**, New York, NY (US)

(72) Inventors: **Shimon Haber**, Brooklyn, NY (US);  
**Joseph Castelli**, New York, NY (US)

(73) Assignee: **TZUMI ELECTRONICS LLC**, New York, NY (US)

(\*\*) Term: **15 Years**

(21) Appl. No.: **29/579,709**

(22) Filed: **Oct. 3, 2016**

(51) **LOC (10) Cl.** ..... **14-02**

(52) **U.S. Cl.**  
USPC ..... **D14/372**

(58) **Field of Classification Search**  
USPC ..... D14/372, 496, 432, 371, 125, 126, 129,  
D14/299; D16/300-342; 351/158, 153,  
351/144; 345/7-9, 905; 455/344;  
348/115, 53, 121, 739  
CPC ..... G02B 27/017; G02B 27/0158; G02B  
27/0161; G02B 27/0181; G02B 27/0185;  
G02B 27/0189

See application file for complete search history.

(56) **References Cited**

U.S. PATENT DOCUMENTS

D338,514 S	8/1993	Holmes	
5,347,400 A	9/1994	Hunter	
D369,595 S	5/1996	Kober et al.	
D701,206 S	3/2014	Luckey et al.	
D732,028 S *	6/2015	Kim	D14/372
D738,374 S	9/2015	Luckey et al.	
D741,327 S *	10/2015	Reznik	D14/372
9,176,325 B2	11/2015	Lyons	
D749,580 S *	2/2016	Kim	D14/372
D749,583 S	2/2016	Luckey et al.	

D750,074 S	2/2016	Coz et al.	
D753,111 S *	4/2016	Fei	D14/372
D757,003 S	5/2016	Goossens et al.	
D758,367 S	6/2016	Nstsume	
D764,466 S *	8/2016	Kim	D14/372
D785,619 S *	5/2017	Su	D14/372
D791,129 S *	7/2017	Sullivan	D14/372
D792,399 S *	7/2017	Thomas	D14/372

(Continued)

*Primary Examiner* — Austin Murphy

(74) *Attorney, Agent, or Firm* — Notaro, Michalos & Zaccaria P.C.

(57) **CLAIM**

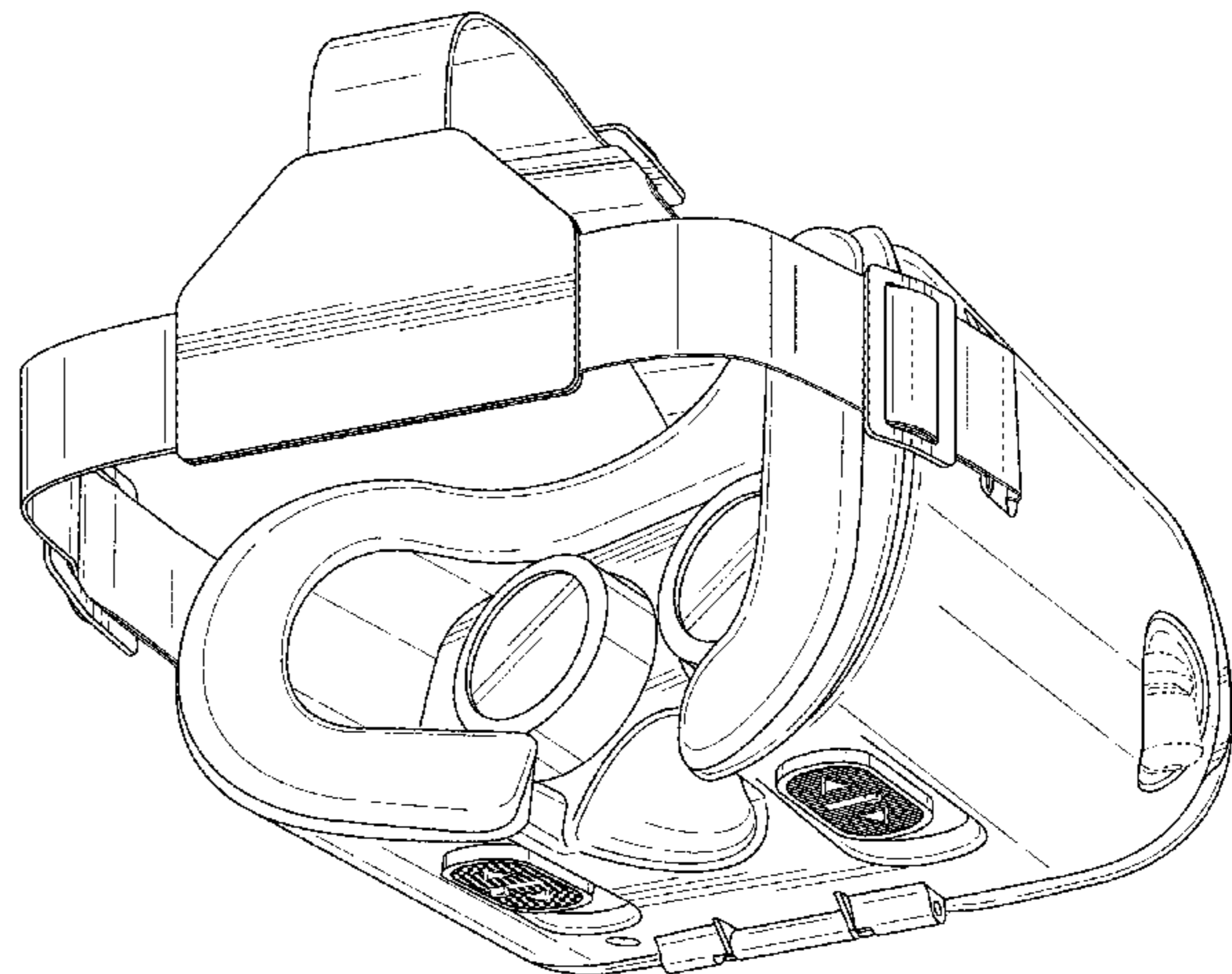
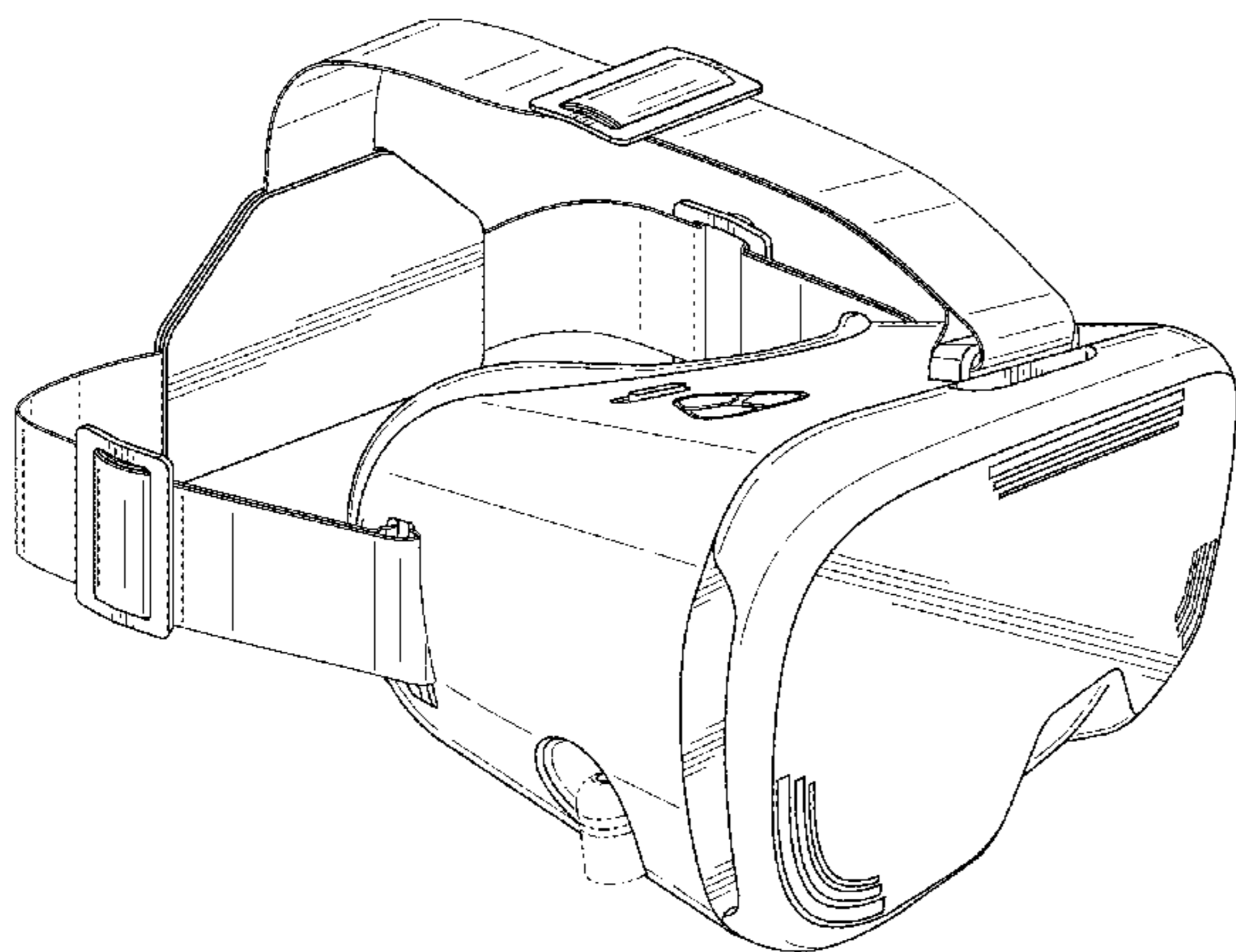
The ornamental design for a virtual reality headset, as shown and described.

**DESCRIPTION**

FIG. 1 is a top, front perspective view of a first embodiment of a virtual reality headset showing my design therefor; FIG. 2 is a bottom, rear perspective view thereof; FIG. 3 is a front elevational view thereof; FIG. 4 is a rear elevational view thereof; FIG. 5 is a left side elevational view thereof; FIG. 6 is a right side elevational view thereof; FIG. 7 is a top plan view thereof; FIG. 8 is a bottom plan view thereof; FIG. 9 is a top, front perspective view of a second embodiment thereof; FIG. 10 is a bottom, rear perspective view thereof; FIG. 11 is a front elevational view thereof; FIG. 12 is a rear elevational view thereof; FIG. 13 is a left side elevational view thereof; FIG. 14 is a right side elevational view thereof; FIG. 15 is a top plan view thereof; and, FIG. 16 is a bottom plan view thereof.

Throughout the drawings, broken lines show environment only and form no part of the claimed design.

**1 Claim, 16 Drawing Sheets**



(56)

**References Cited**

U.S. PATENT DOCUMENTS

2015/0253574 A1 9/2015 Thurber  
2016/0025978 A1 1/2016 Mallinson

\* cited by examiner

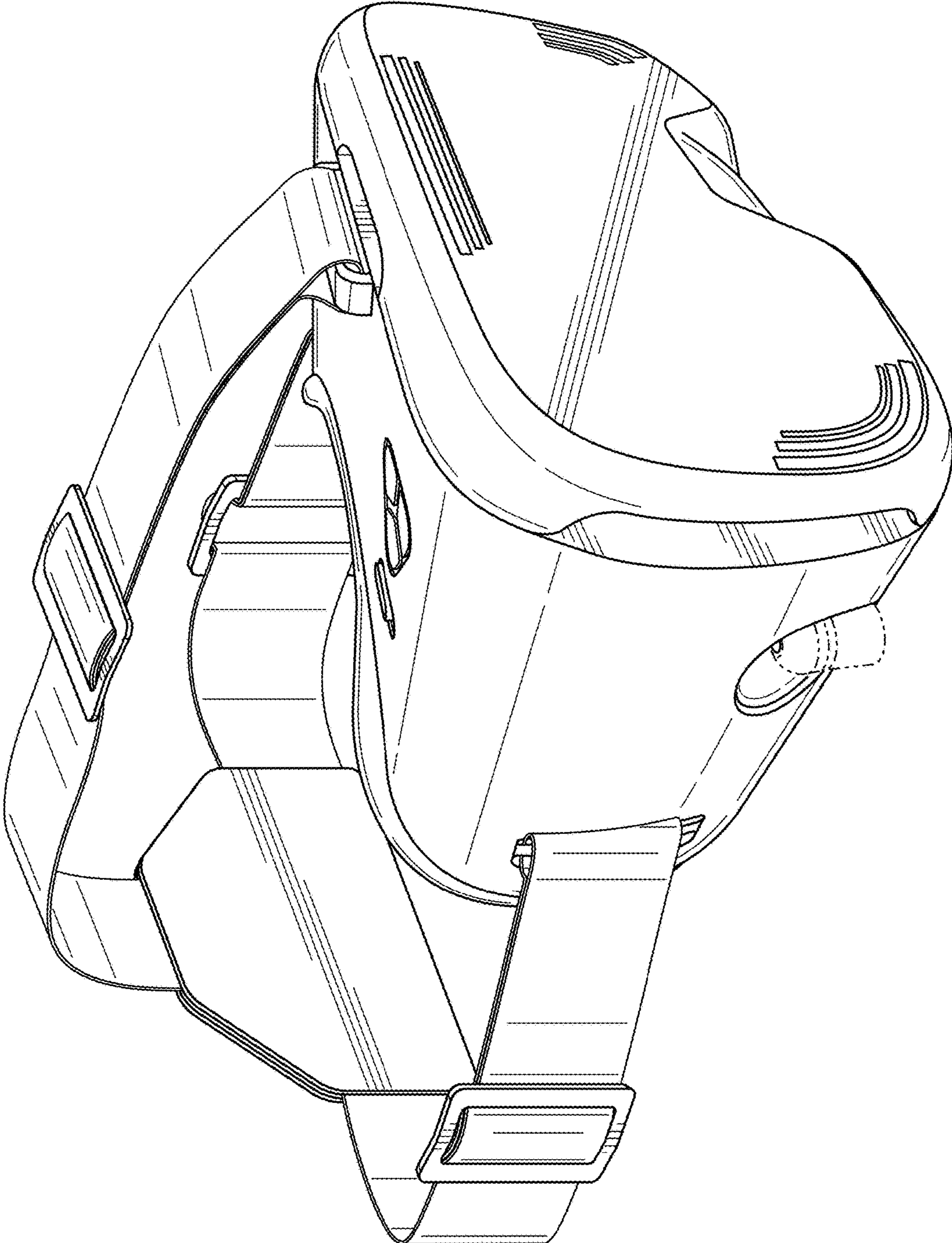


FIG. 1



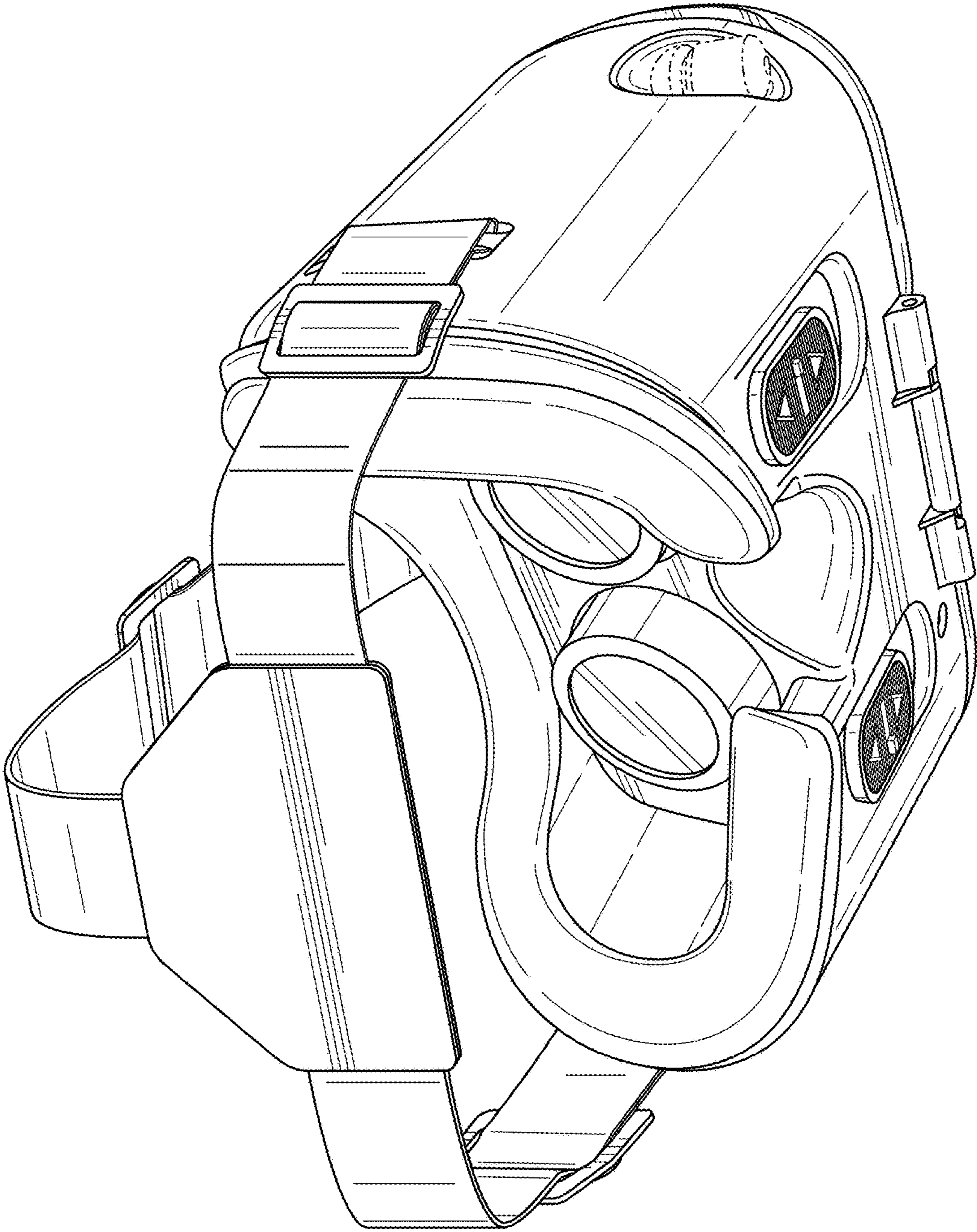


FIG. 2

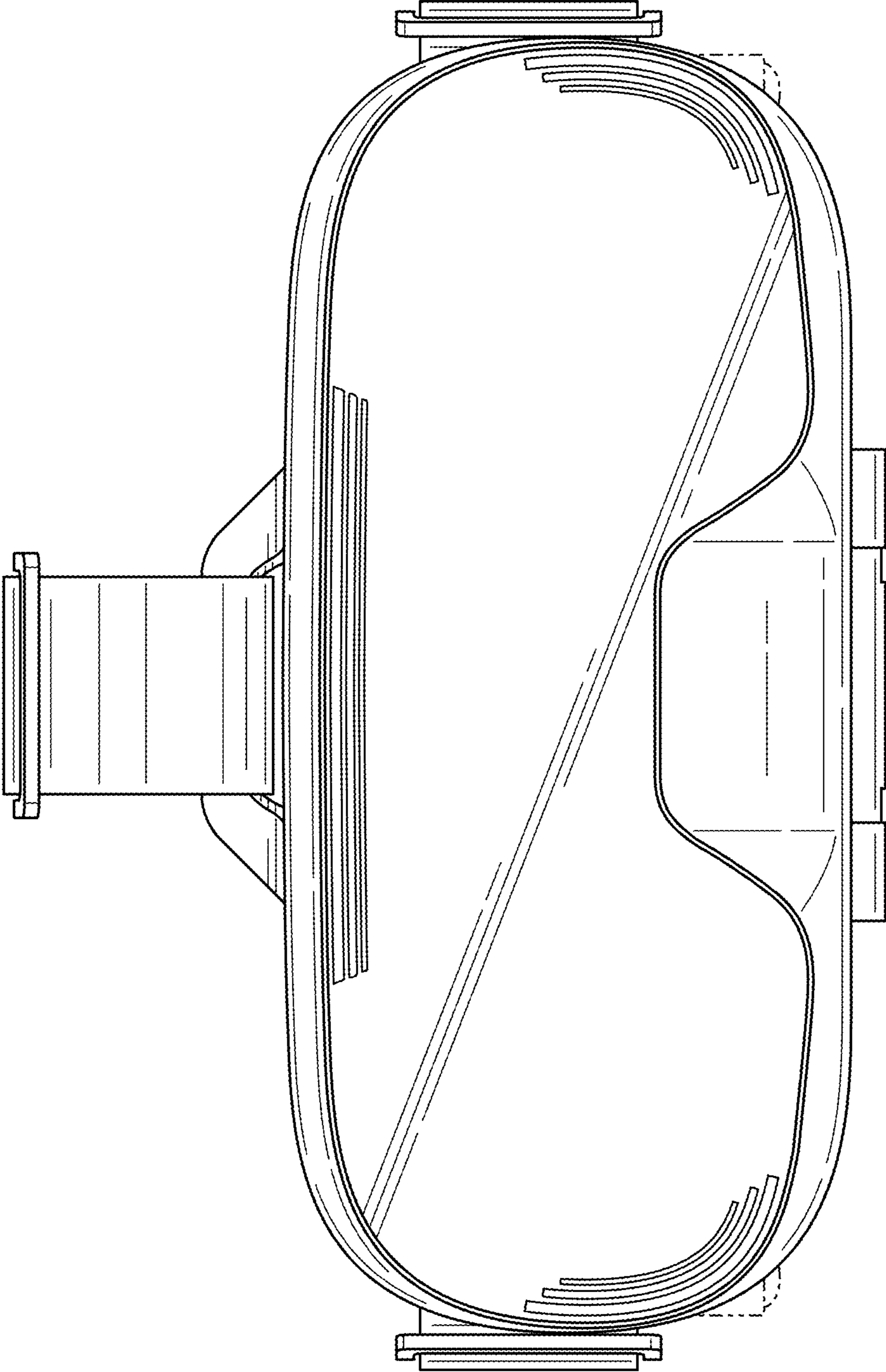


FIG. 3

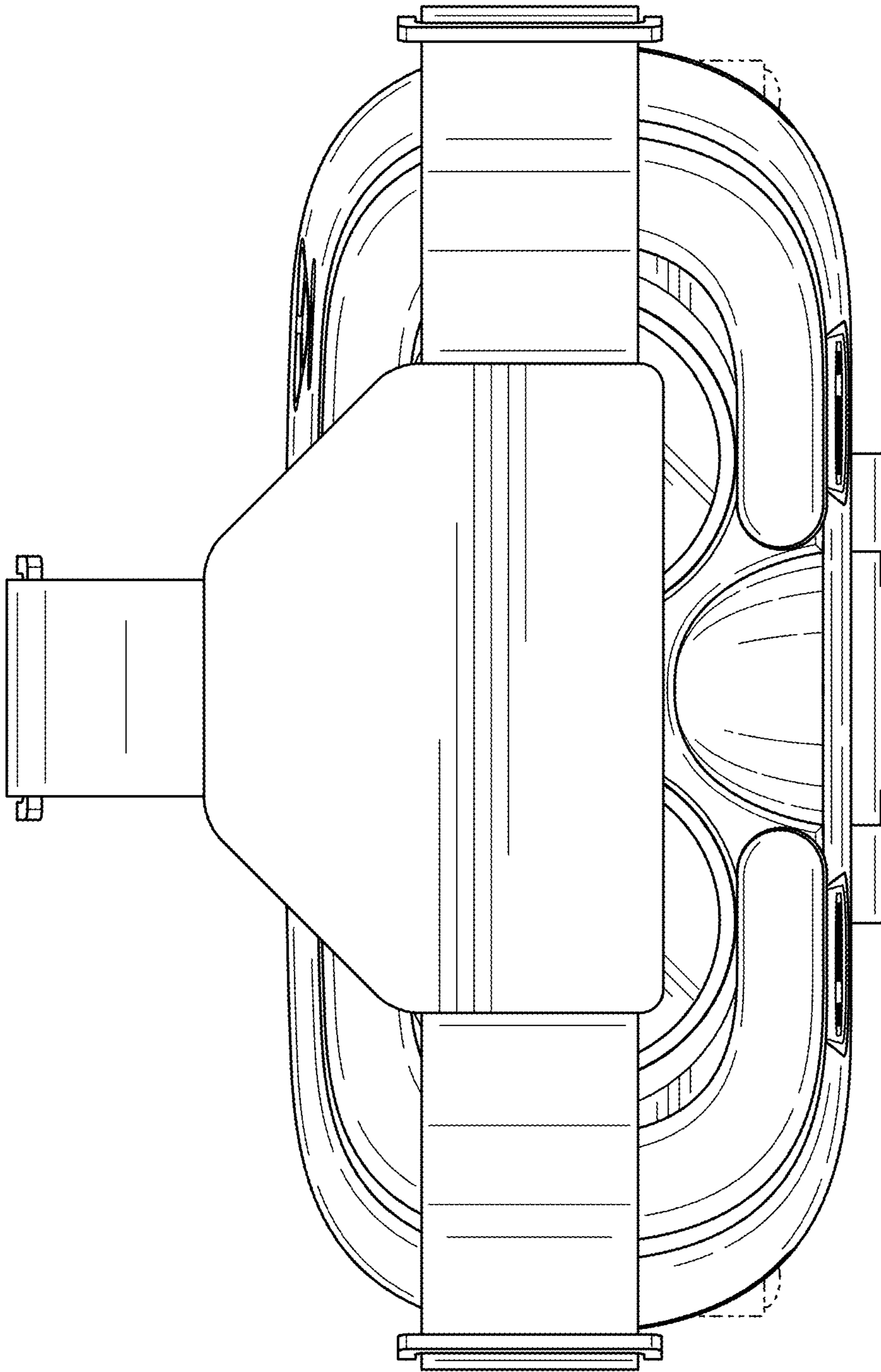


FIG. 4

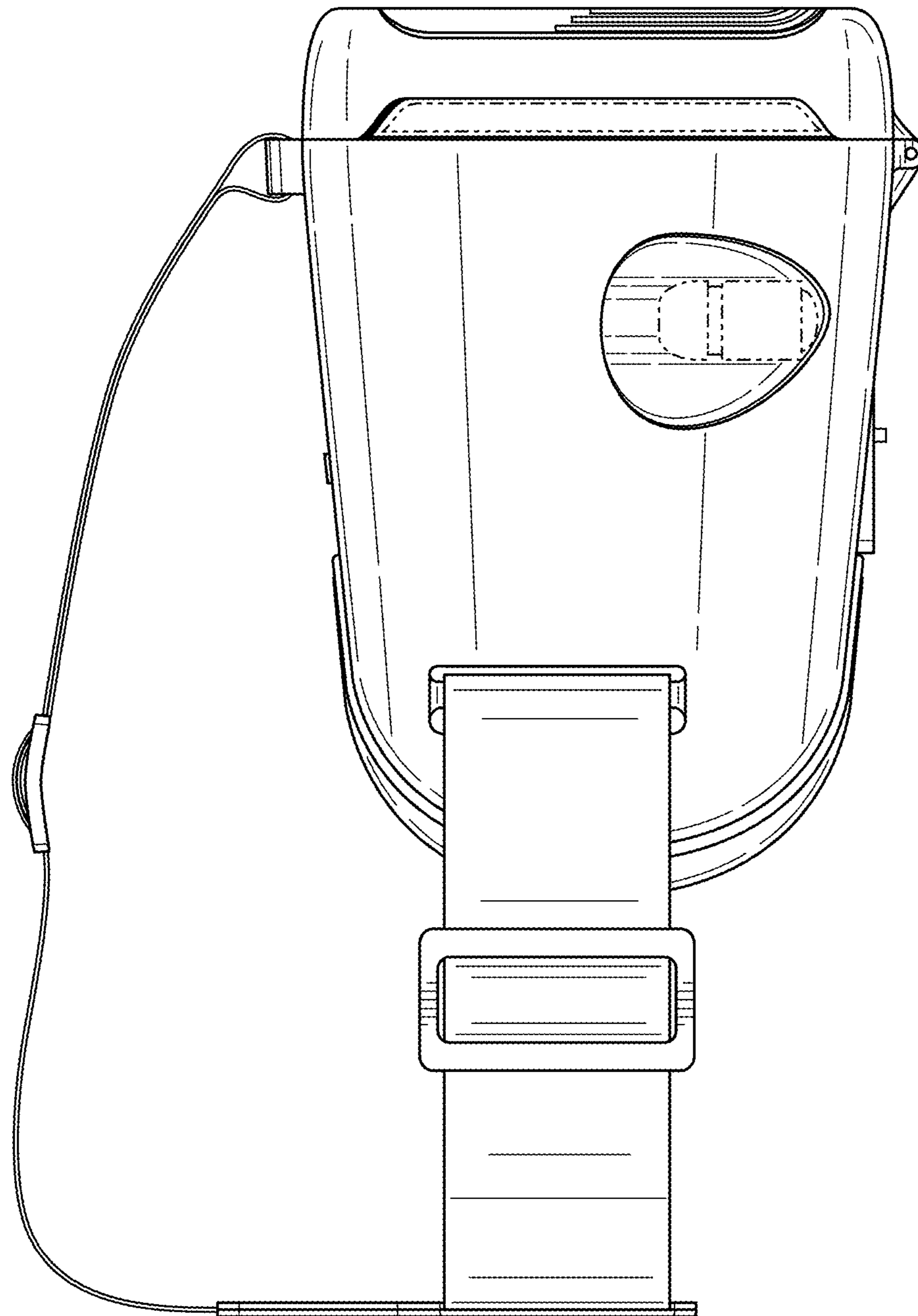


FIG. 5



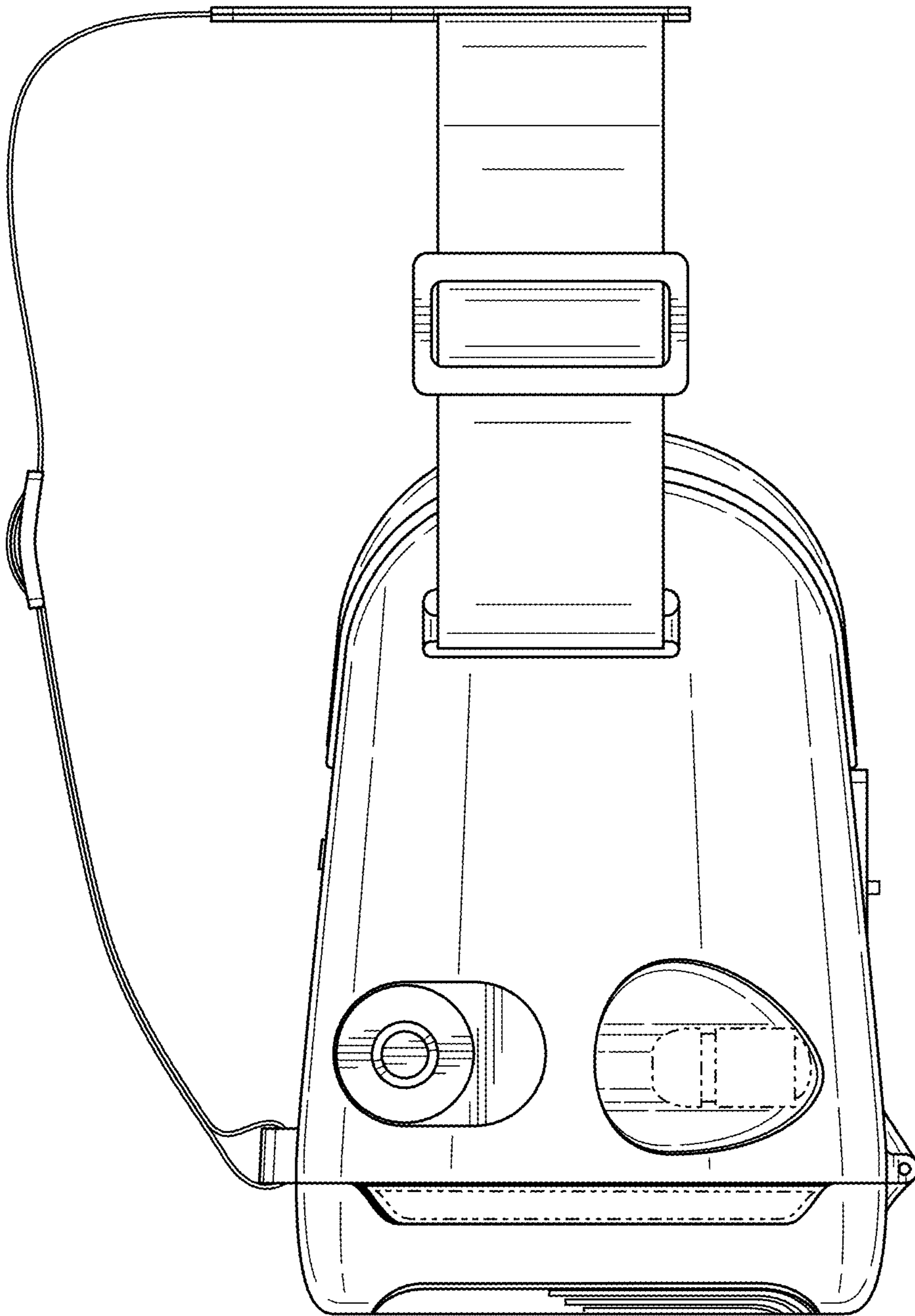


FIG. 6



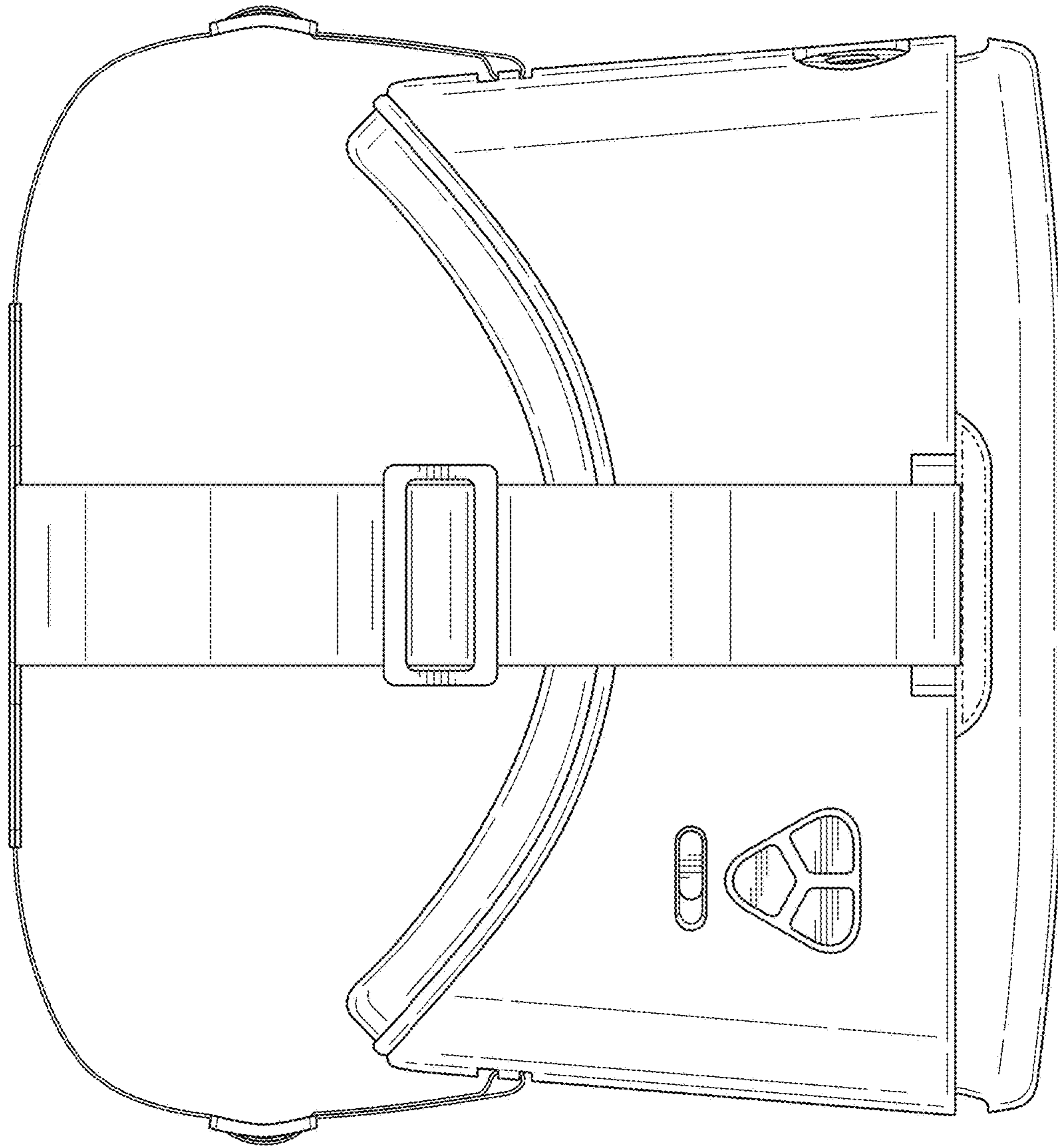


FIG. 7

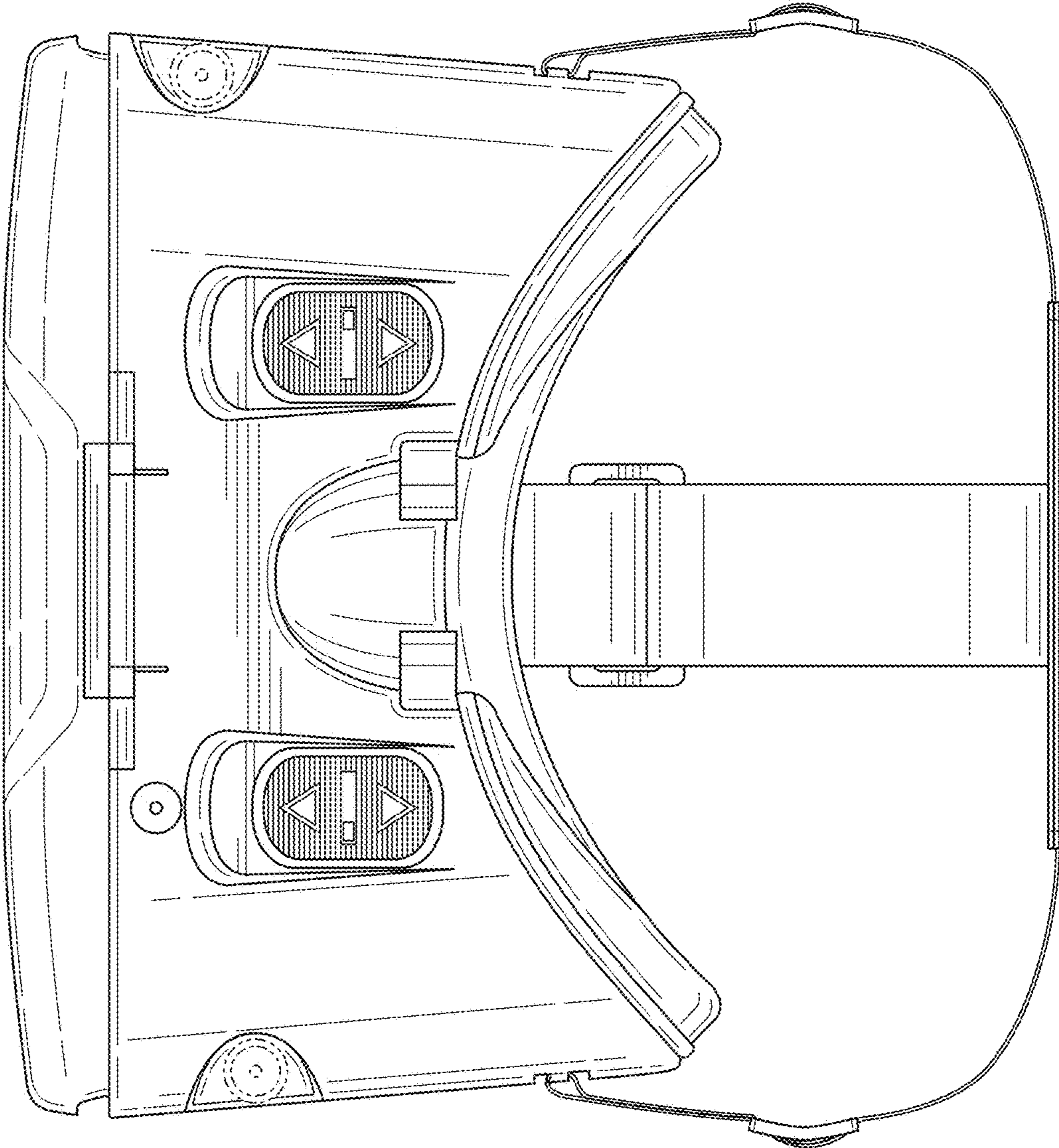


FIG. 8

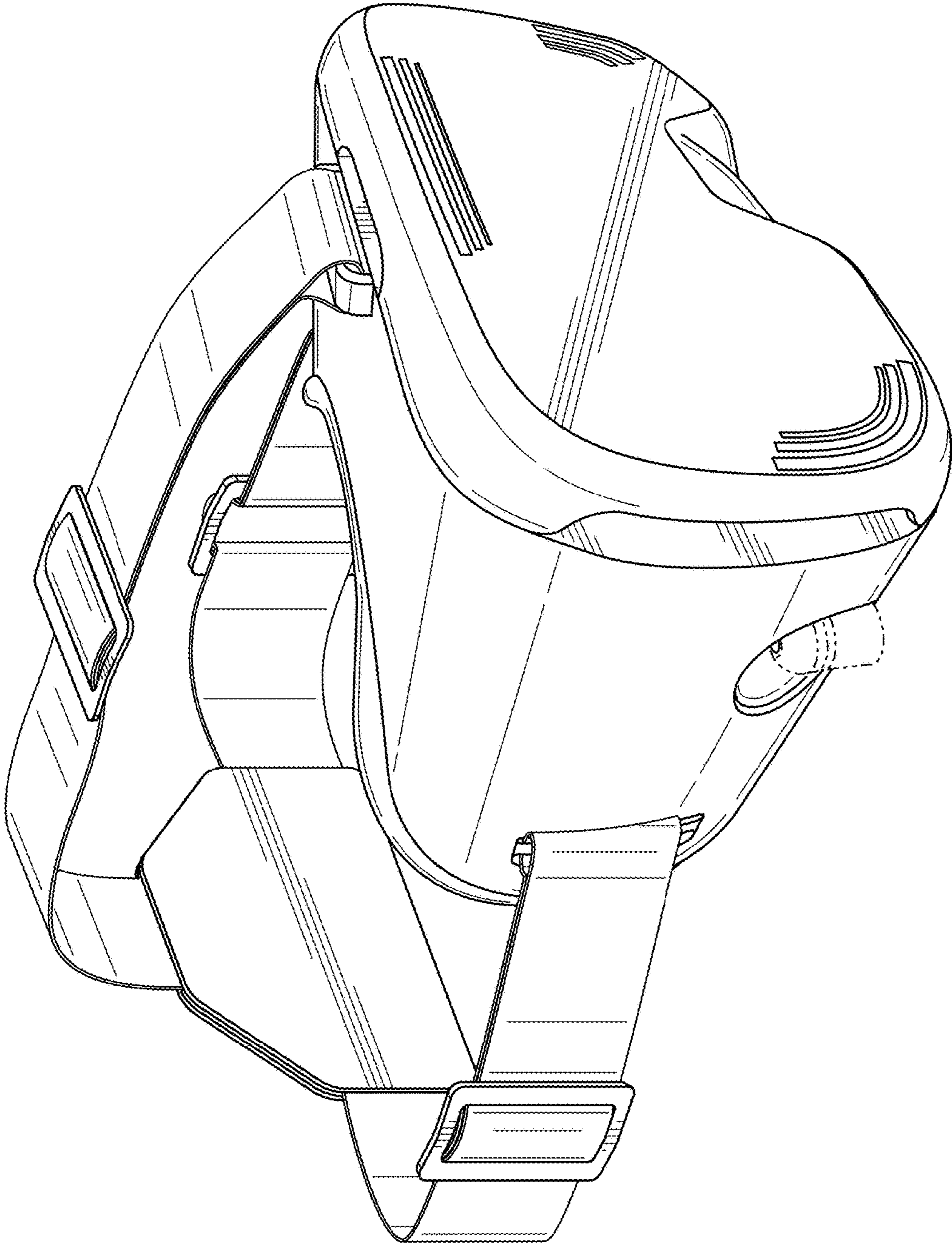


FIG. 9



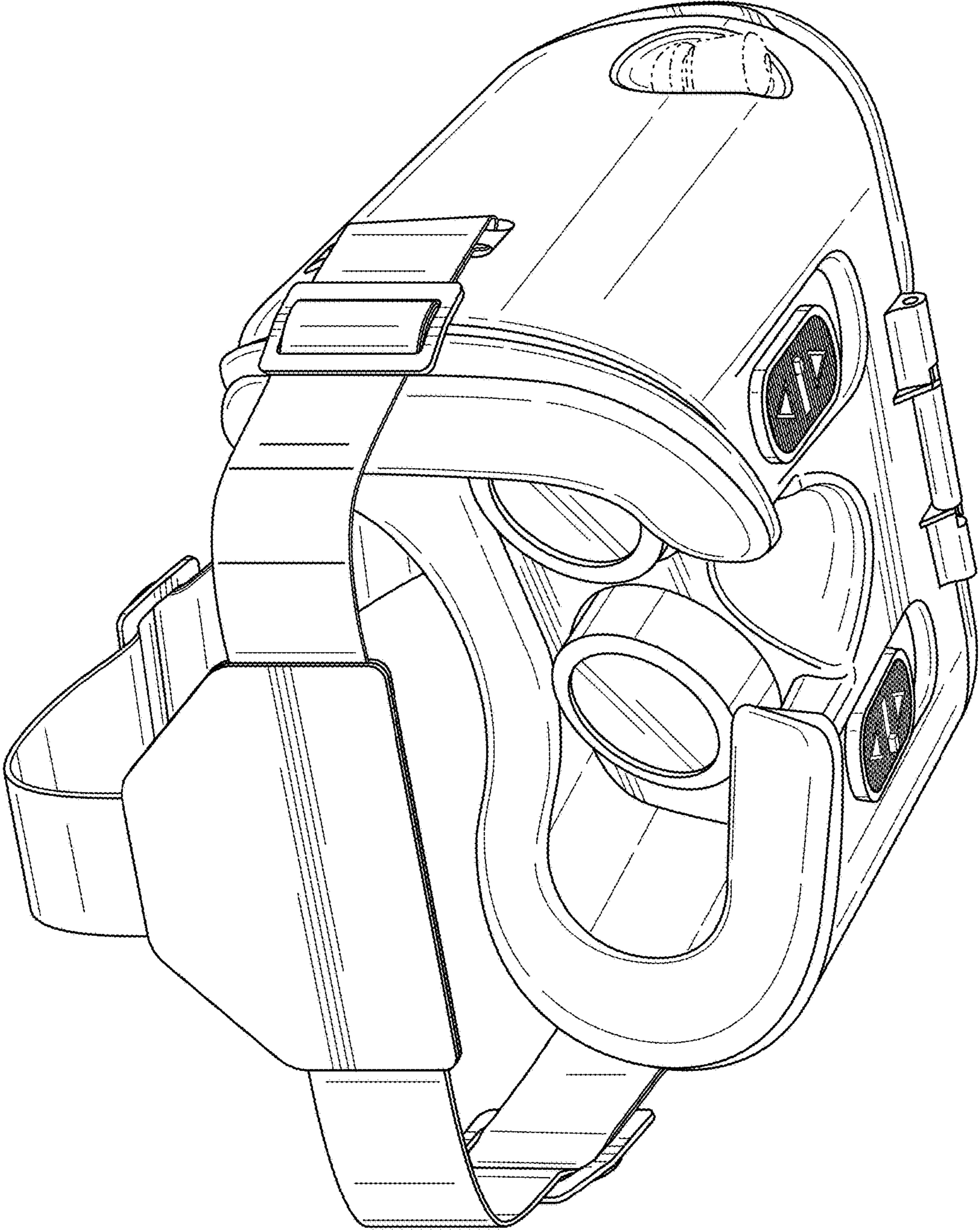


FIG. 10



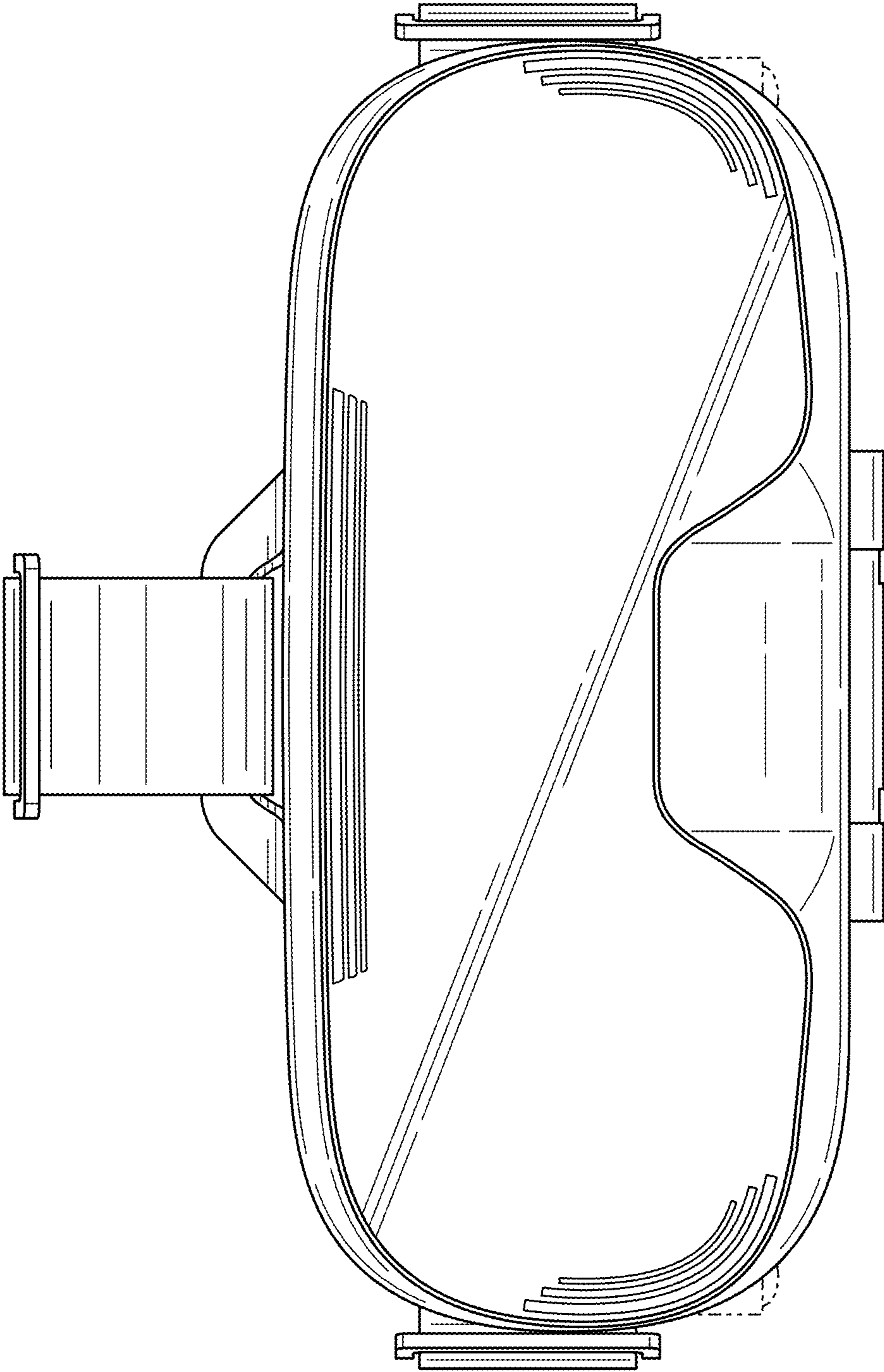


FIG. 11

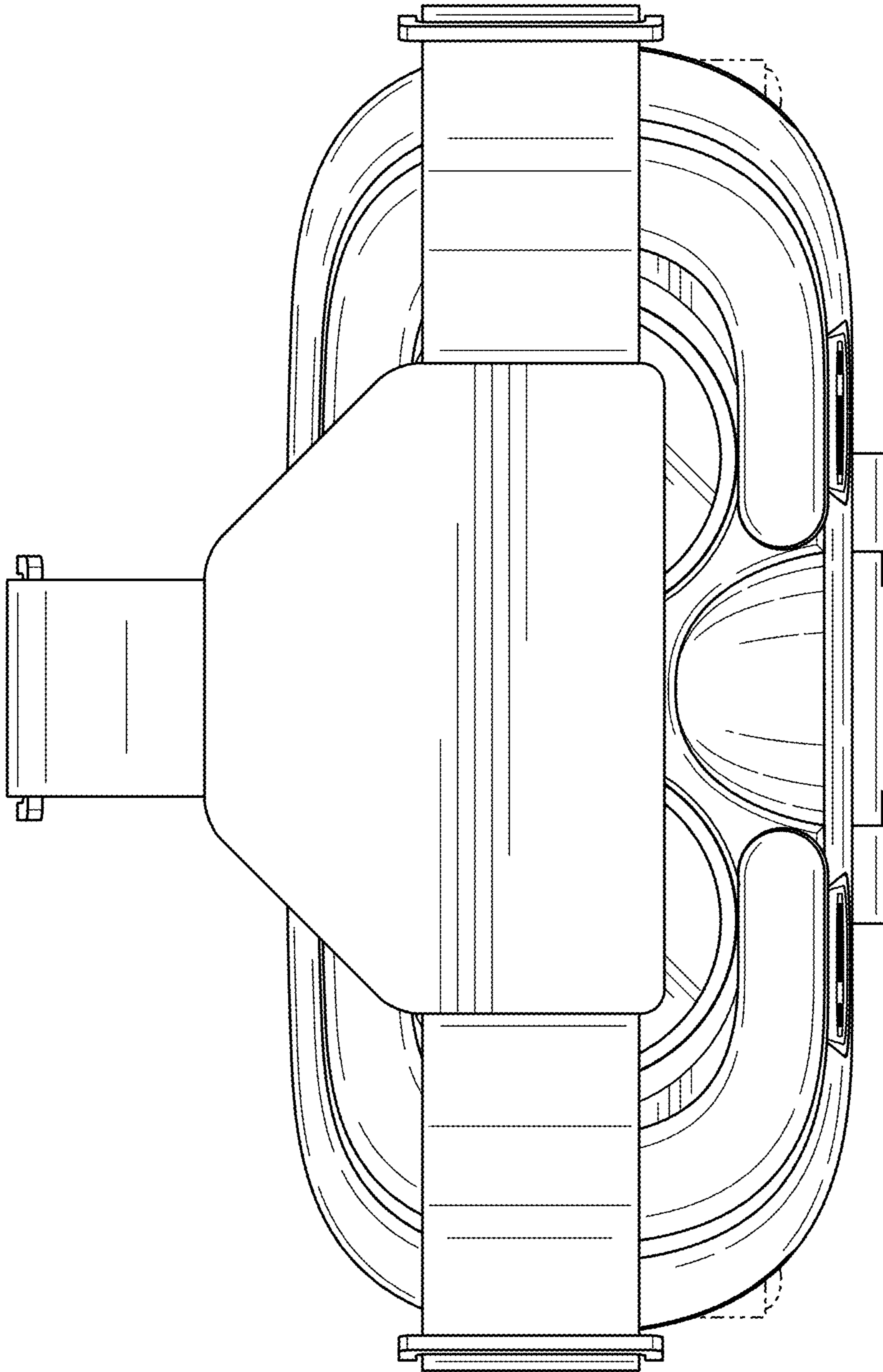


FIG. 12

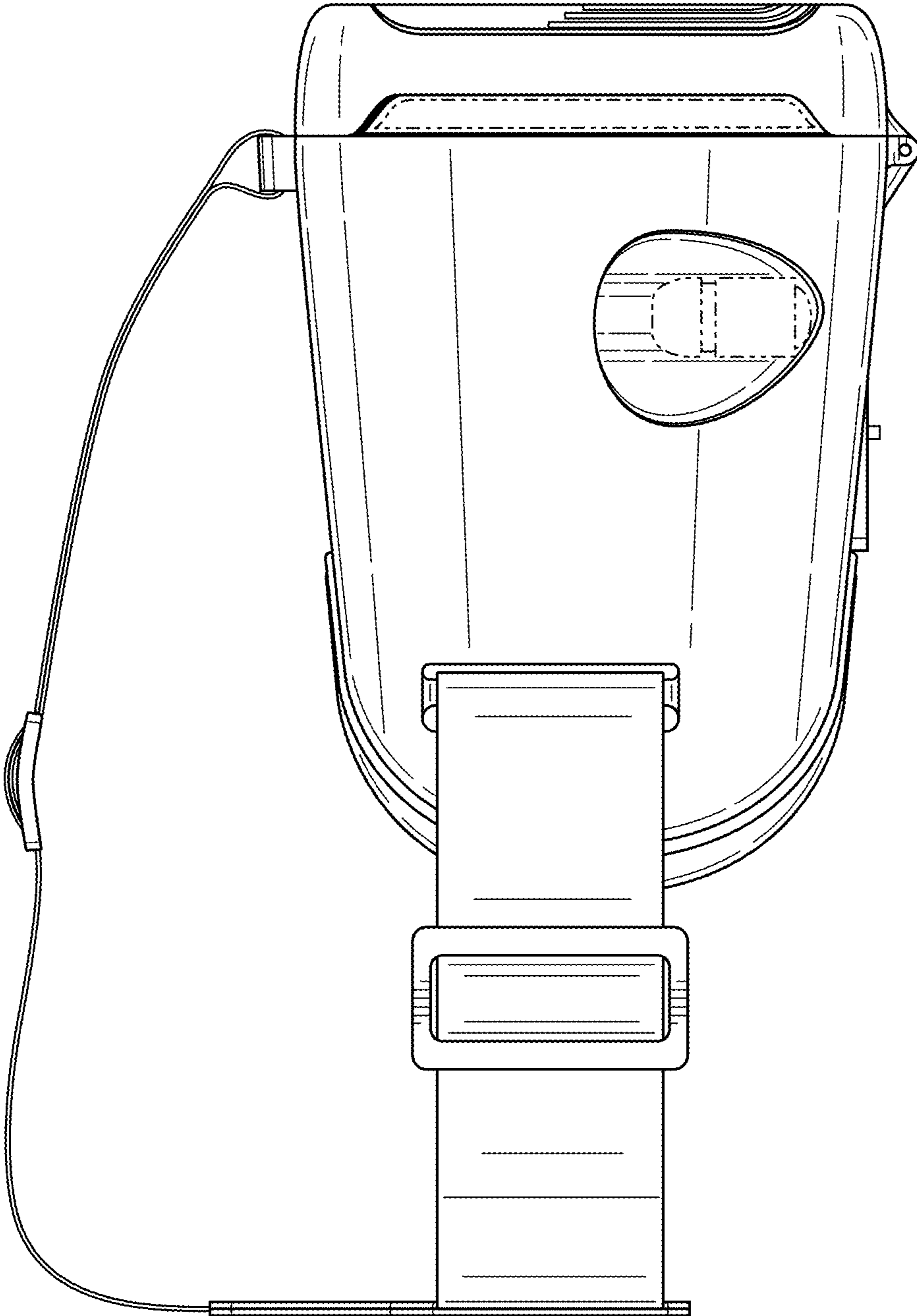


FIG. 13

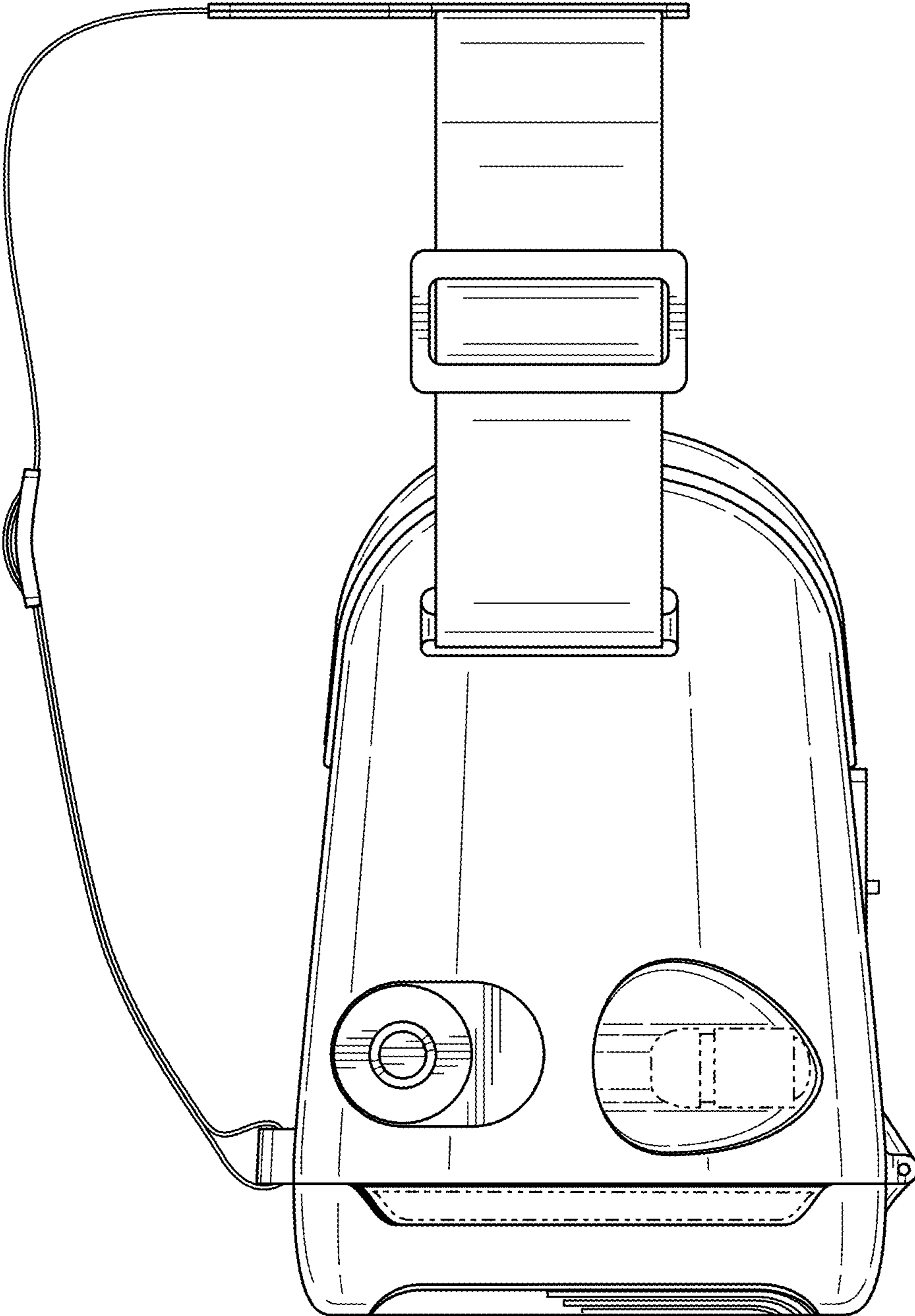


FIG. 14



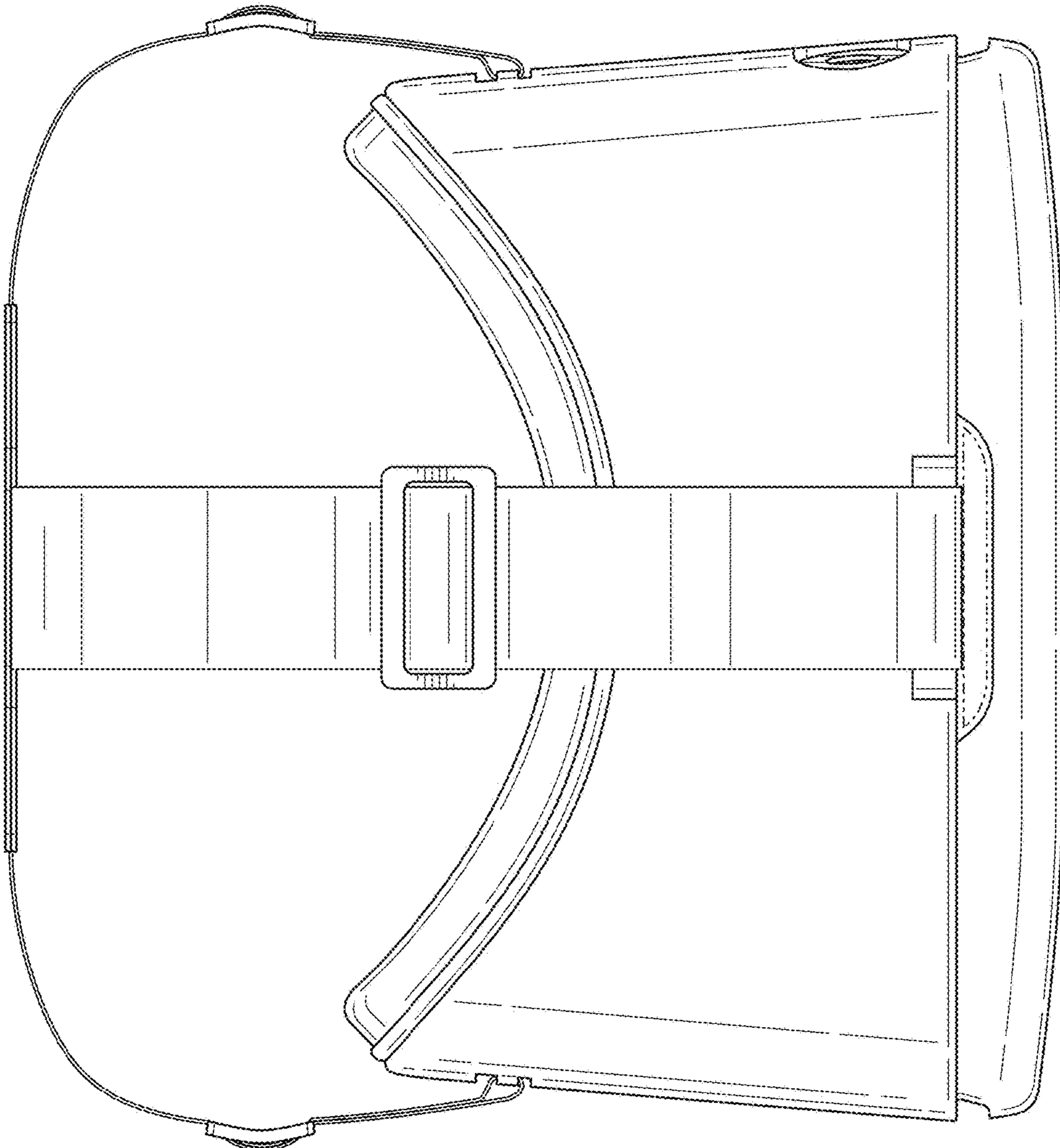


FIG. 15

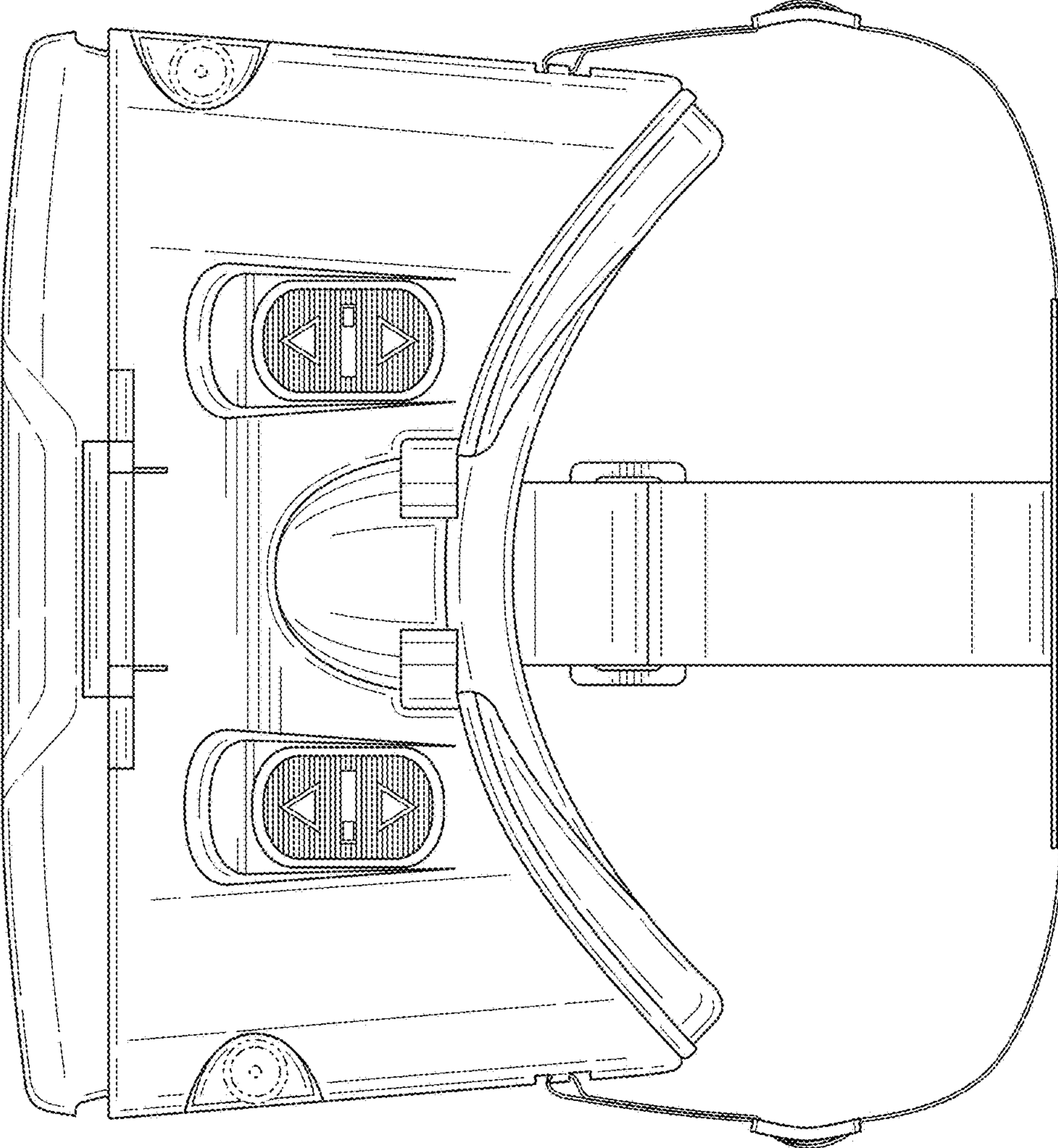


FIG. 16