



US00D798295S

(12) **United States Design Patent** (10) **Patent No.:** **US D798,295 S**
Lai (45) **Date of Patent:** **** Sep. 26, 2017**

(54) **OPEN COMPUTER CASE**

(56) **References Cited**

(71) Applicant: **IN WIN DEVELOPMENT, INC.,**
Taoyuan Hsien (TW)
(72) Inventor: **Wen-Hsien Lai,** Taoyuan Hsien (TW)
(73) Assignee: **IN WIN DEVELOPMENT, INC.,**
Taoyuan Hsien (TW)

U.S. PATENT DOCUMENTS

6,549,398 B2 * 4/2003 Chen G06F 1/184
312/223.1
D575,778 S * 8/2008 Dearborn D14/300
D614,619 S * 4/2010 Haase D14/349
D676,444 S * 2/2013 Cloutier D14/349
D707,224 S * 6/2014 Bae D14/349
2015/0277518 A1 * 10/2015 Farrow G06F 1/20
361/679.5

(**) Term: **15 Years**

* cited by examiner

(21) Appl. No.: **29/559,294**

Primary Examiner — Freda S Nunn

(22) Filed: **Mar. 25, 2016**

(74) *Attorney, Agent, or Firm* — Pro-Techtor International Services; Ian Oglesby

(51) **LOC (10) Cl.** **14-02**

(52) **U.S. Cl.**
USPC **D14/349**

(57) **CLAIM**

(58) **Field of Classification Search**
USPC D14/300, 301, 308, 313, 314, 348–356,
D14/364–368; D13/123, 158, 162, 184,
D13/199; 312/223.1–223.3, 351.11;
360/99.01–99.12; 369/34.01–36.01;
361/679.31–679.33, 679.37, 679.39,
361/679.46, 679.53, 679.4, 679.41, 727
CPC . G06F 1/20; G06F 1/181; G06F 1/187; G06F
1/183; G06F 1/184; G06F 1/16; H05K
7/16; H05K 7/1424; H05K 7/1409; H05K
7/20; H05K 7/20545; H05K 7/20727;
H05K 7/1425; H05K 7/1488; H05K
7/183; H05K 7/14; H05K 5/00; H05K
7/00; H05H 7/20; G11B 33/126; G11B
33/128; G11B 33/08; G11B 33/02

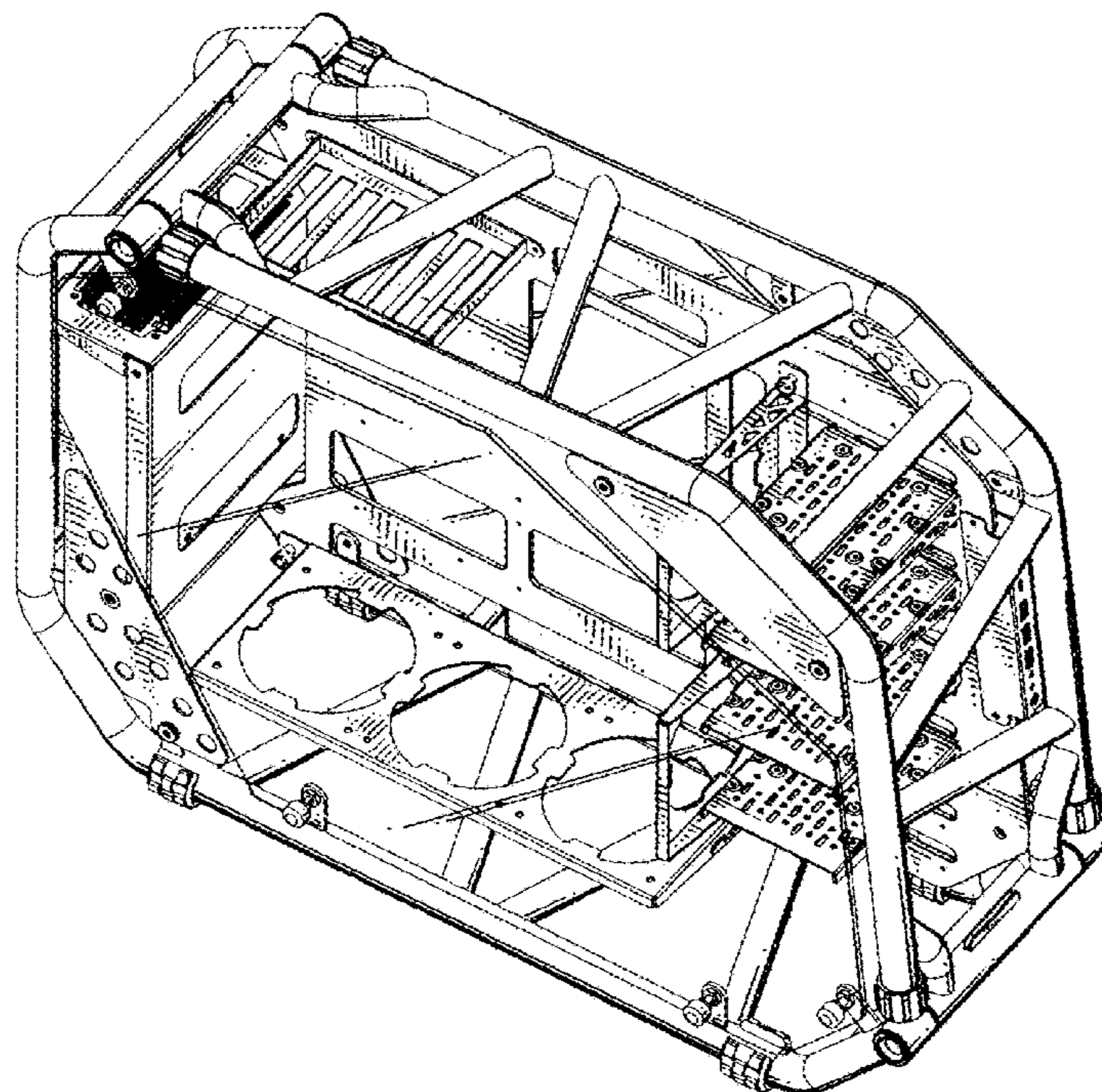
The ornamental design for a open computer case, as shown and described.

DESCRIPTION

FIG. 1 is a perspective view of a open computer case showing my new design;
FIG. 2 is a left side elevational view thereof;
FIG. 3 is a right side elevational view thereof;
FIG. 4 is a rear elevational view thereof;
FIG. 5 is a front elevational view thereof;
FIG. 6 is a top plan view thereof; and,
FIG. 7 is a bottom plan view thereof.
Broken lines shown in the drawings represent environment only and form no part of the claimed design.

See application file for complete search history.

1 Claim, 4 Drawing Sheets



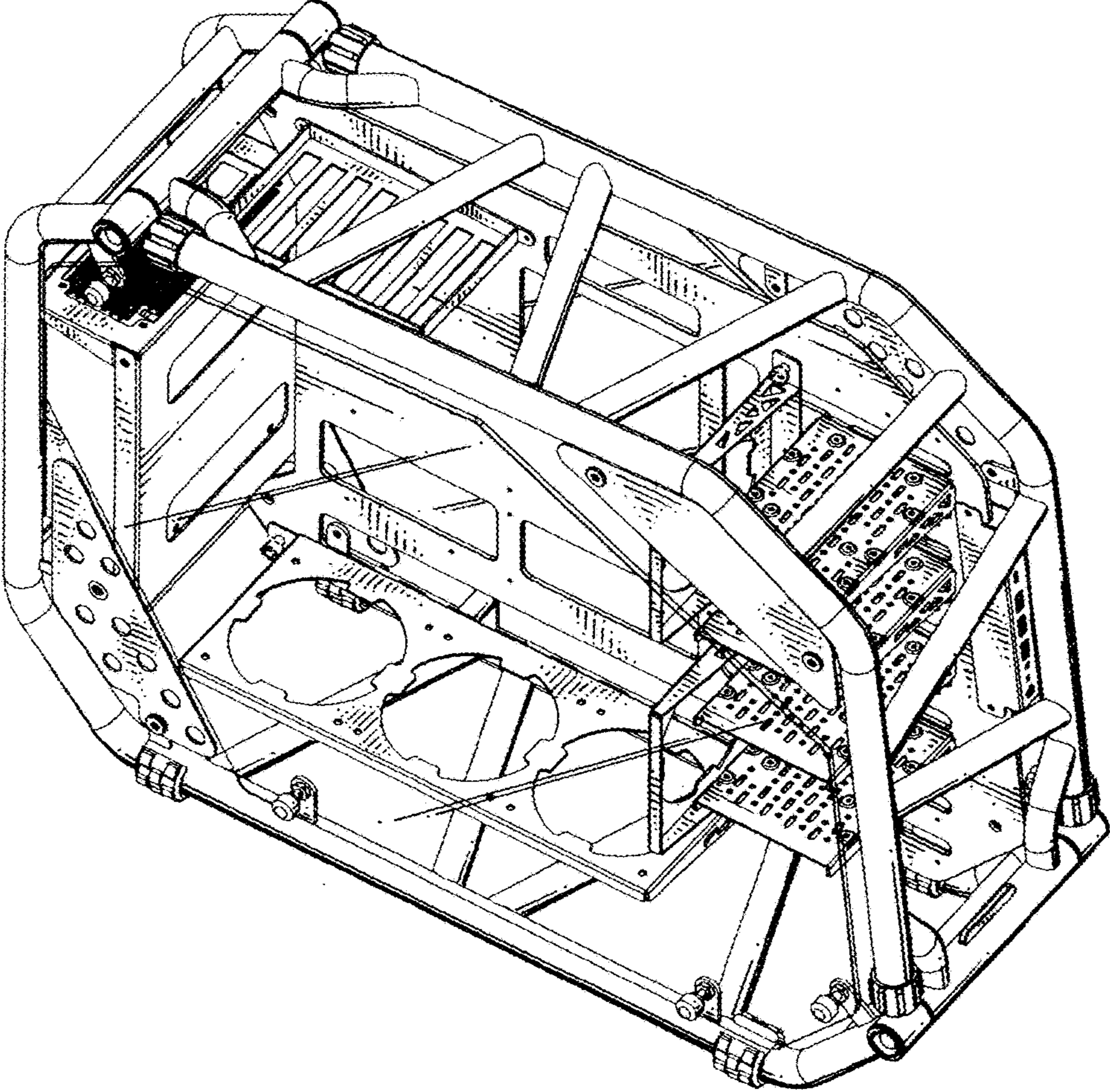


FIG.1

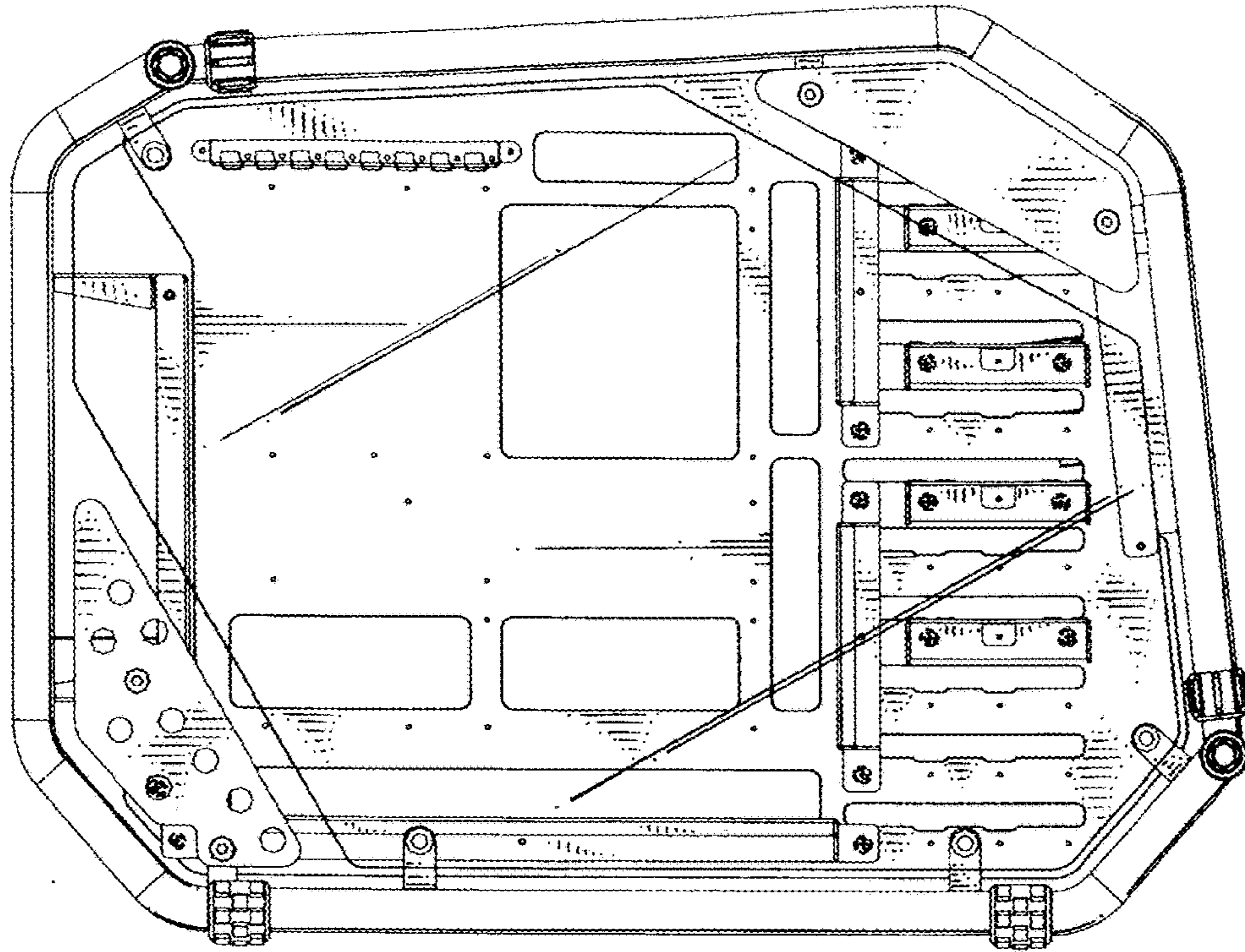


FIG. 2

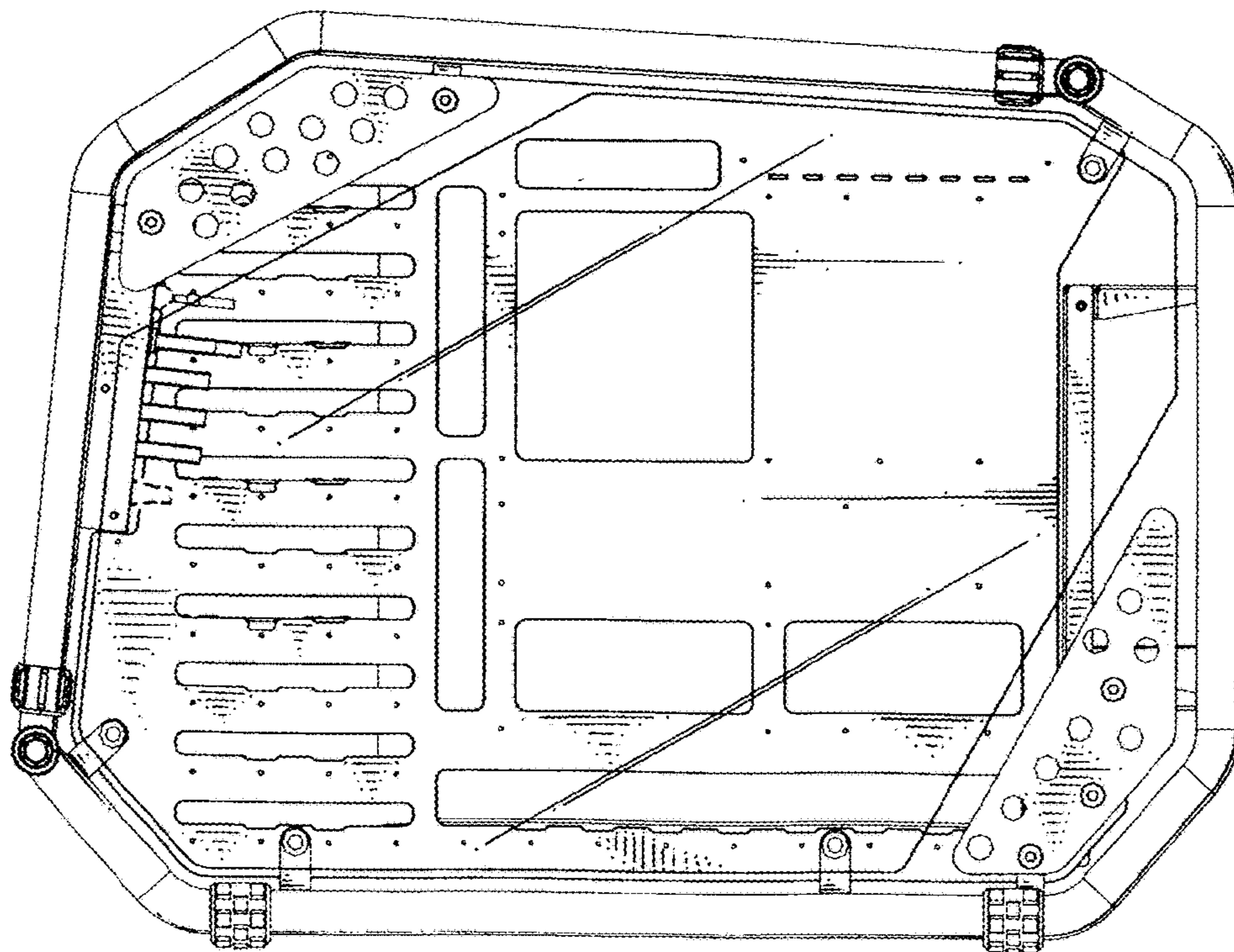


FIG. 3

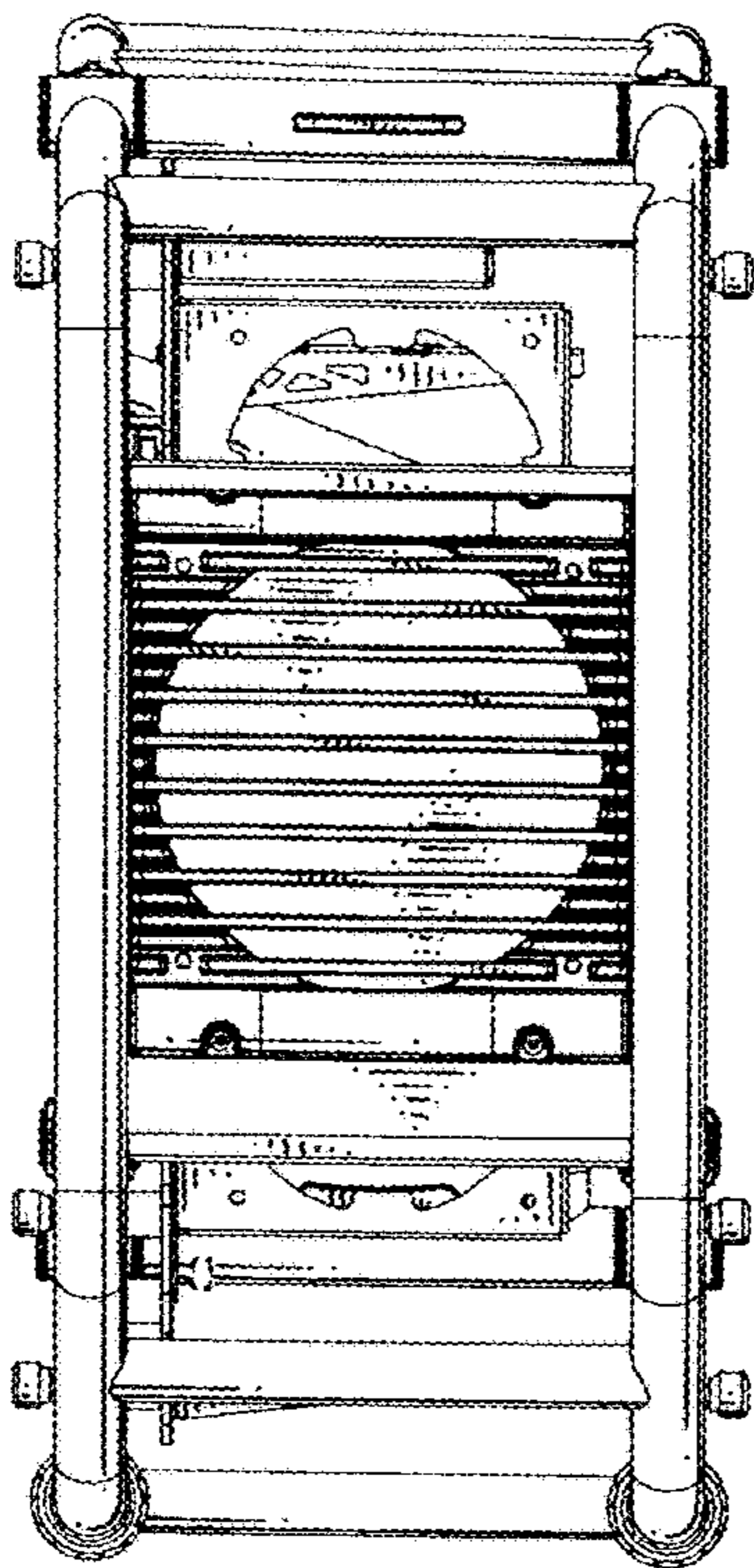


FIG. 4

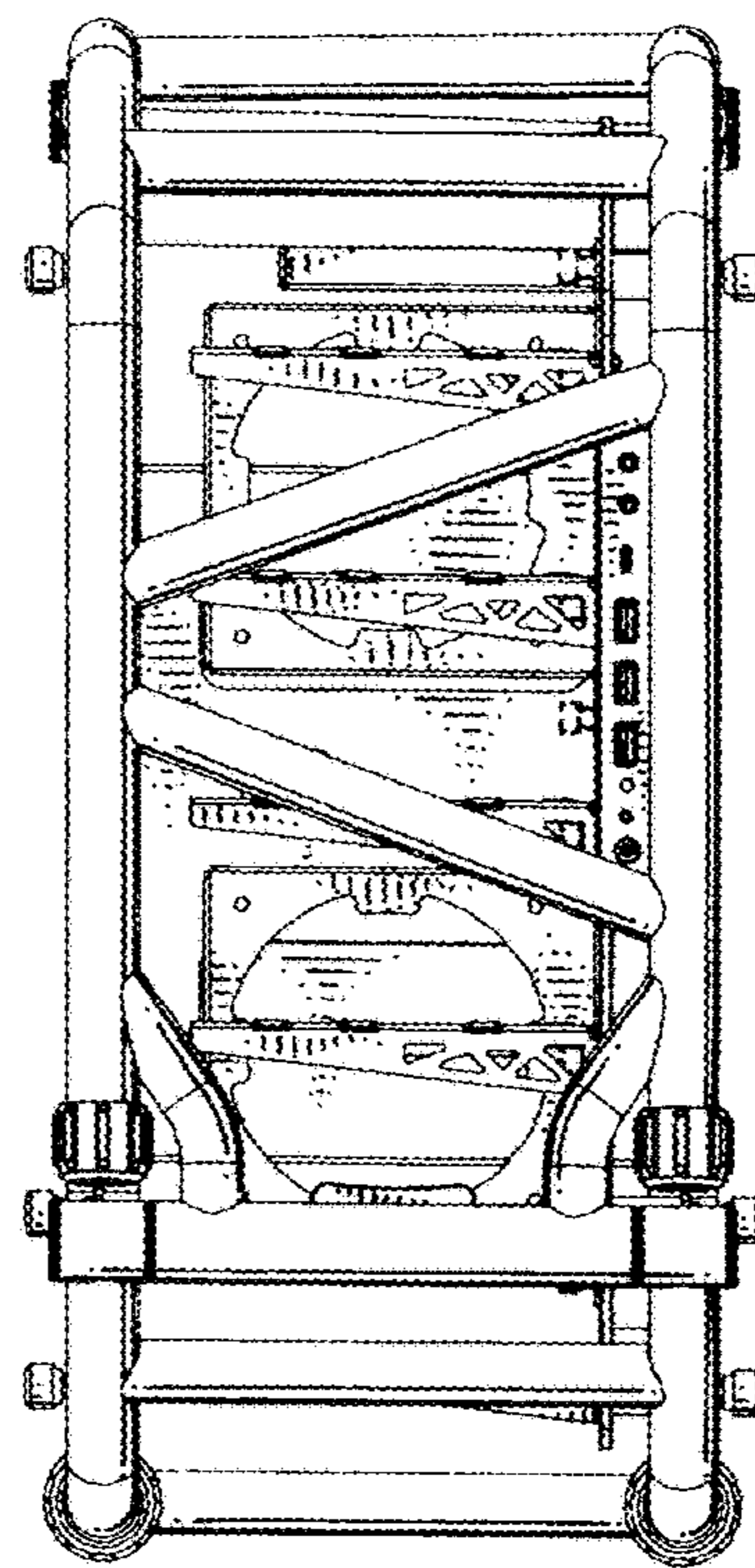


FIG. 5

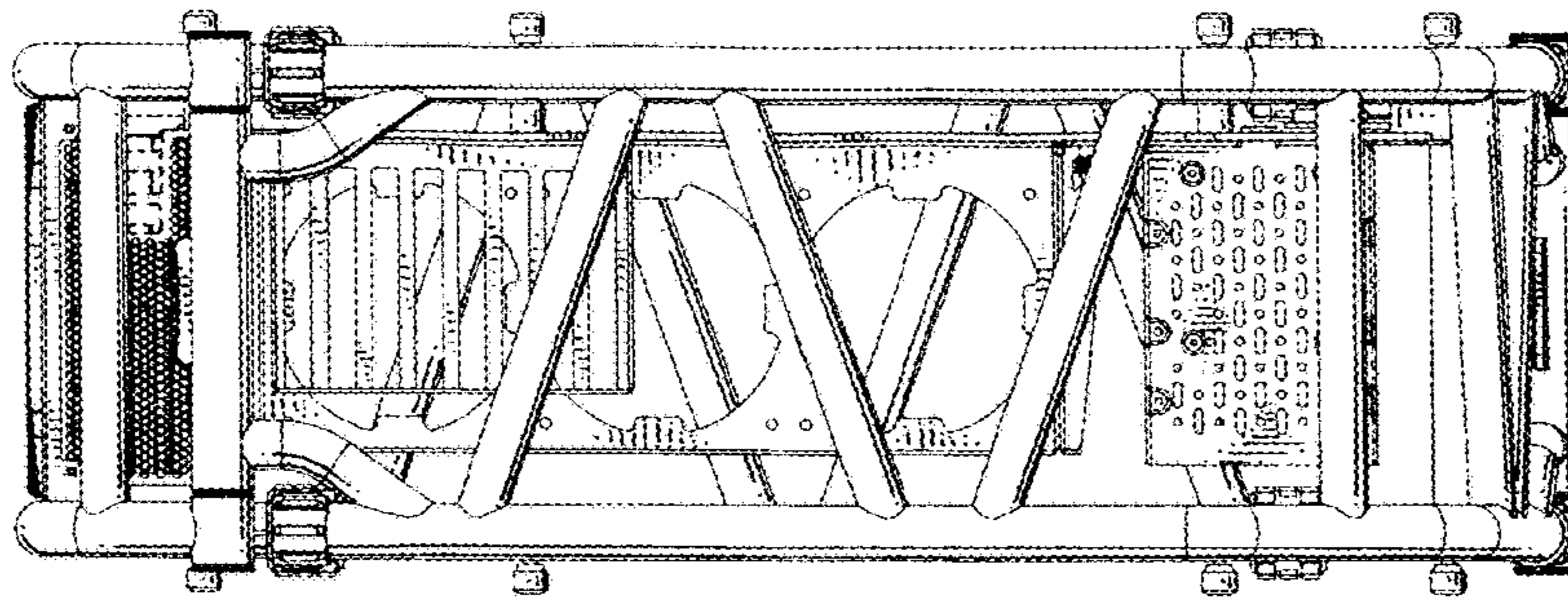


FIG. 6

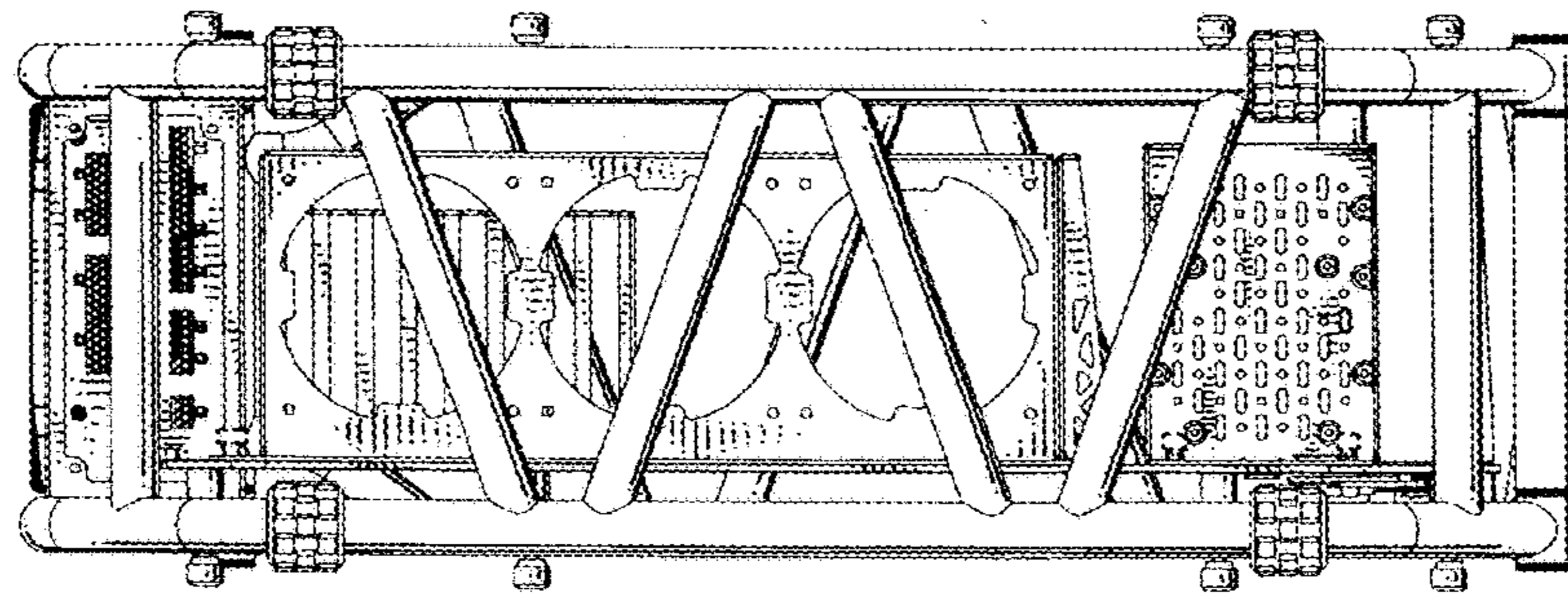


FIG. 7