



US00D798292S

(12) **United States Design Patent** (10) **Patent No.:** **US D798,292 S**  
**Groene et al.** (45) **Date of Patent:** **\*\* Sep. 26, 2017**

- (54) **ELECTRONIC TABLET**
- (71) Applicant: **Microsoft Corporation**, Redmond, WA (US)
- (72) Inventors: **Ralf Groene**, Kirkland, WA (US); **Jan Raken**, Seattle, WA (US)
- (73) Assignee: **Microsoft Corporation**, Redmond, WA (US)
- (\*\*) Term: **15 Years**
- (21) Appl. No.: **29/557,923**
- (22) Filed: **Mar. 14, 2016**

**Related U.S. Application Data**

- (62) Division of application No. 29/491,223, filed on May 19, 2014, now Pat. No. Des. 754,655.
- (51) **LOC (10) Cl.** ..... **14-02**
- (52) **U.S. Cl.**  
USPC ..... **D14/341**
- (58) **Field of Classification Search**  
USPC ..... D14/341, 126, 132, 149, 138, 151, 130, D14/374, 375, 203.8, 217; 345/173, 104, 345/156; 361/679.59, 680; 379/433.12, 379/433.13; 455/575.3  
CPC .. G06F 1/16; G06F 3/041; H05K 7/00; H05K 7/20; H05K 5/00  
See application file for complete search history.

(56) **References Cited**

**U.S. PATENT DOCUMENTS**

- D278,272 S \* 4/1985 Kojima ..... D23/338
- D284,084 S \* 6/1986 Ferrara, Jr. .... D14/389
- 4,812,830 A \* 3/1989 Doering ..... G06F 3/0421  
250/221
- D313,431 S \* 1/1991 Jaskiel, Jr. .... D14/126
- D321,172 S \* 10/1991 Moore, IV ..... D14/389

- D333,574 S \* 3/1993 Ackeret ..... D6/300
- D337,104 S \* 7/1993 Orchard ..... D14/375
- D340,701 S \* 10/1993 Takeuchi ..... D14/341
- D348,661 S \* 7/1994 Hansen ..... D14/389
- D350,346 S \* 9/1994 Takemasa ..... D14/126
- D355,170 S \* 2/1995 Mizusugi ..... D14/336
- D356,557 S \* 3/1995 Takemasa ..... D14/126
- D382,259 S \* 8/1997 Nagai ..... D14/126
- D388,077 S \* 12/1997 Starck ..... D11/132
- D414,164 S \* 9/1999 Rorke ..... D14/126
- D453,333 S \* 2/2002 Chen ..... D14/374
- D468,735 S \* 1/2003 Landerholm ..... D14/336
- D492,684 S \* 7/2004 Ozolins ..... D14/374
- D500,037 S \* 12/2004 Ozolins ..... D14/375
- D504,889 S \* 5/2005 Andre ..... D14/341

(Continued)

*Primary Examiner* — Paula Greene

(74) *Attorney, Agent, or Firm* — Banner & Witcoff, Ltd.

(57) **CLAIM**

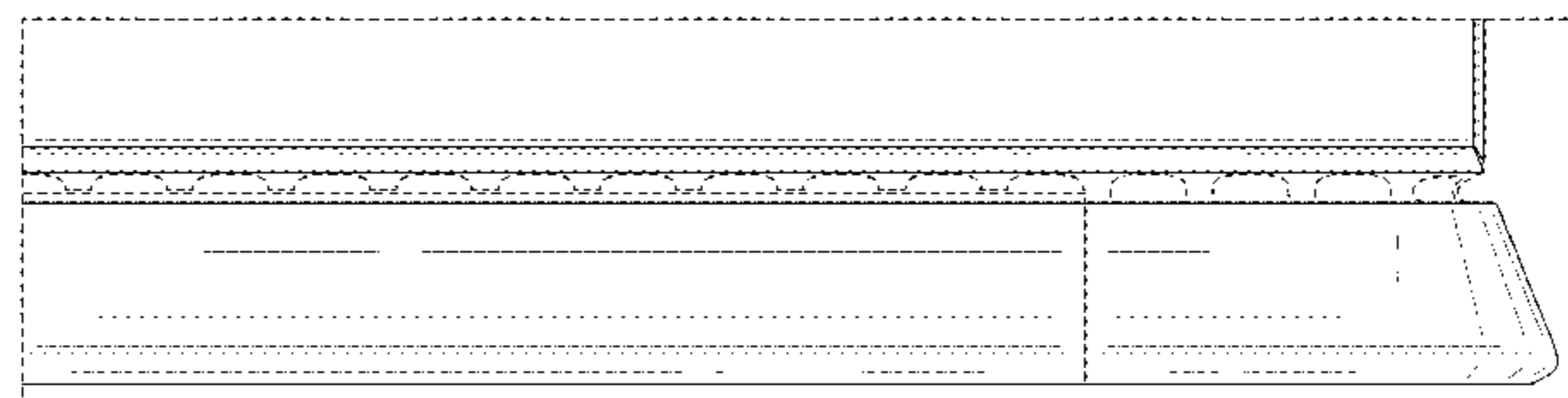
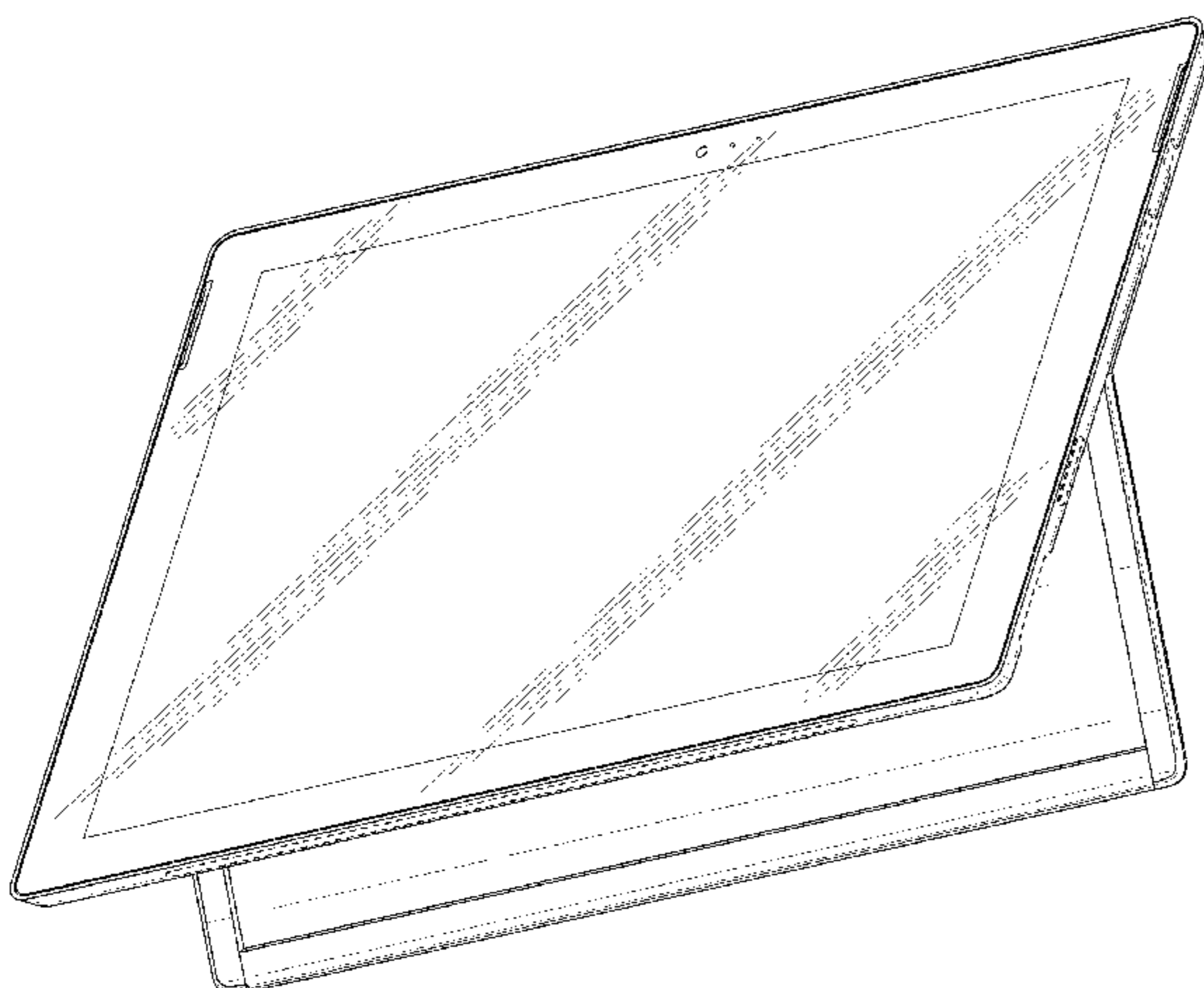
The ornamental design for an electronic tablet, as shown and described.

**DESCRIPTION**

FIG. 1 is a front isometric view of an electronic tablet showing our new design;  
 FIG. 2 is a front view thereof;  
 FIG. 3 is a rear view thereof;  
 FIG. 4 is a right side view thereof;  
 FIG. 5 is a left side view thereof;  
 FIG. 6 is a top view thereof;  
 FIG. 6A is a top view of the electronic tablet of FIG. 6 showing a call-out region thereon;  
 FIG. 7 is an enlarged top view of the callout region in the electronic tablet as indicated in FIG. 6A; and,  
 FIG. 8 is a bottom view of the electronic tablet showing our new design.

The broken line showing of various features of the electronic tablet are for environmental purposes only and form no part of the claimed design.

**1 Claim, 7 Drawing Sheets**



(56)

References Cited

U.S. PATENT DOCUMENTS

D520,003 S *	5/2006	Rinna	D14/374	D678,880 S *	3/2013	Groene	D14/391
D560,668 S *	1/2008	Pritchard	D14/448	D680,530 S *	4/2013	Groene	D14/341
D585,399 S *	1/2009	Hwang	D14/130	D695,737 S *	12/2013	Kim	D14/138 G
D592,625 S *	5/2009	Hwang	D14/130	D696,249 S *	12/2013	Lee	D14/341
D596,596 S *	7/2009	Honda	D14/126	D696,250 S *	12/2013	Wang	D14/341
D596,598 S *	7/2009	Huang	D14/130	D705,776 S *	5/2014	Groene	D14/341
D602,259 S *	10/2009	Finnegan	D14/371	D705,777 S *	5/2014	Groene	D14/341
D603,398 S *	11/2009	Watson	D14/345	D705,778 S *	5/2014	Groene	D14/341
D605,626 S *	12/2009	Park	D14/203.1	D709,067 S *	7/2014	Ahn	D14/345
D615,527 S *	5/2010	Hwang	D14/203.7	D712,402 S *	9/2014	Park	D14/341
D621,828 S *	8/2010	Cheng	D14/327	D713,403 S *	9/2014	Groene	D14/341
D624,070 S *	9/2010	Lee	D14/336	8,976,524 B2 *	3/2015	Wang	H05K 5/0213 165/104.33
D627,777 S *	11/2010	Akana	D14/341	D732,020 S *	6/2015	Seoc	D14/341
D634,318 S *	3/2011	Buckle	D14/341	D733,127 S *	6/2015	Sung	D14/341
D639,266 S *	6/2011	DeLorenzo	D14/130	D741,319 S *	10/2015	Yun	D14/341
D639,267 S *	6/2011	DeLorenzo	D14/130	D745,655 S *	12/2015	Pickett	D23/411
D641,018 S *	7/2011	Lee	D14/341	D781,848 S *	3/2017	Kim	D14/341
D645,833 S *	9/2011	Seflic	D14/138 G	D782,469 S *	3/2017	Raken	D14/341
D650,381 S *	12/2011	Park	D14/341	D782,470 S *	3/2017	Raken	D14/341
D654,074 S *	2/2012	Wood	D14/341	D782,471 S *	3/2017	Nuk	D14/341
8,228,673 B2 *	7/2012	Cheng	G06F 1/1616 345/173	2004/0246396 A1 *	12/2004	Peng	G02F 1/133308 349/58
D666,198 S *	8/2012	Van Den Nieuwenhuizen	D14/341	2005/0052831 A1 *	3/2005	Chen	G06F 1/1616 361/679.11
D668,651 S *	10/2012	Kim	D14/138 G	2007/0011929 A1 *	1/2007	Cheng	F16M 11/10 40/700
D670,286 S *	11/2012	Akana	D14/341	2010/0201637 A1 *	8/2010	Herne	G06F 3/046 345/173
D672,827 S *	12/2012	Alessandri	D21/663	2012/0194448 A1 *	8/2012	Rothkopf	A45C 13/002 345/173
D677,660 S *	3/2013	Groene	D14/341				
D678,877 S *	3/2013	Groene	D14/341				

\* cited by examiner

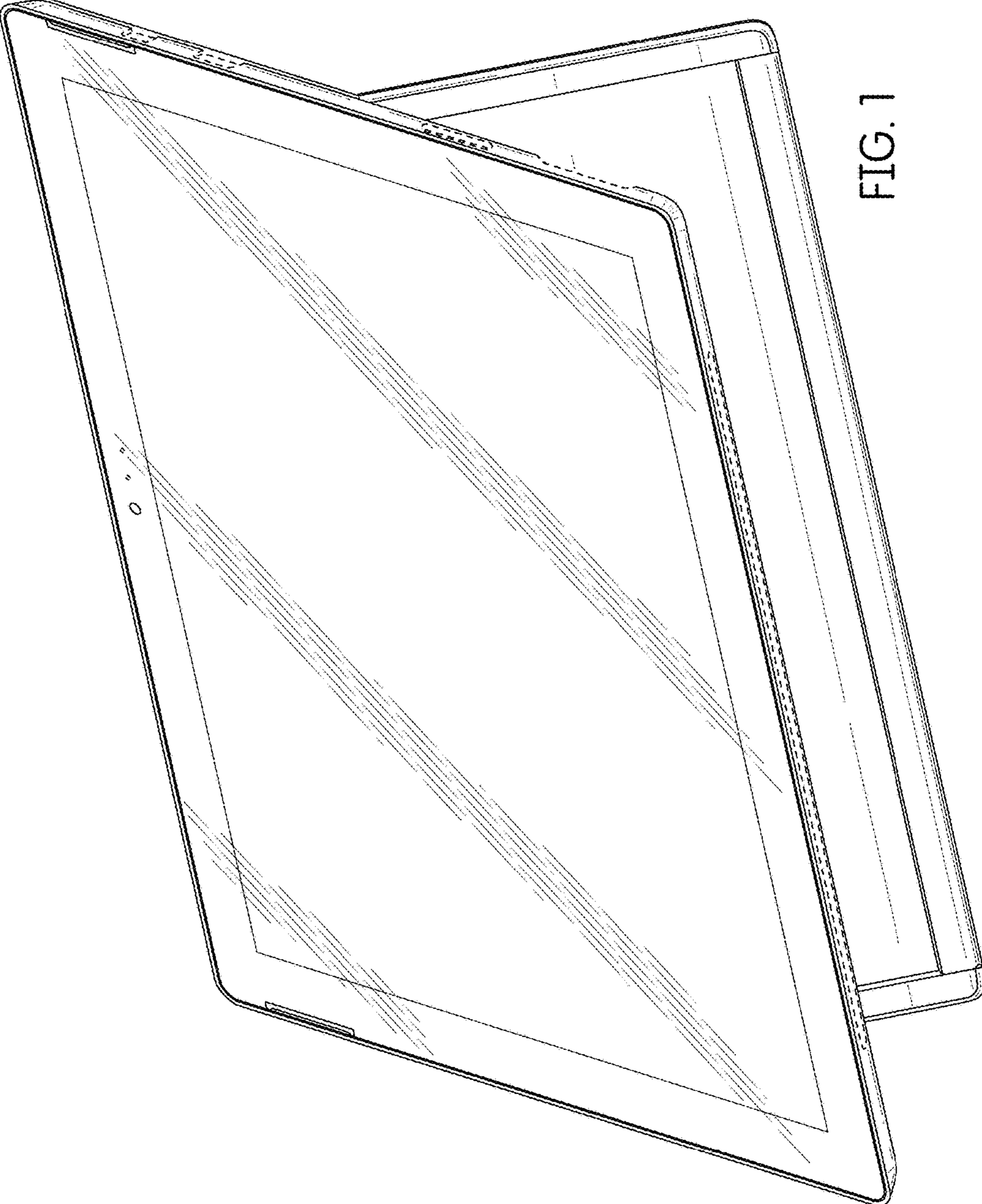


FIG. 1

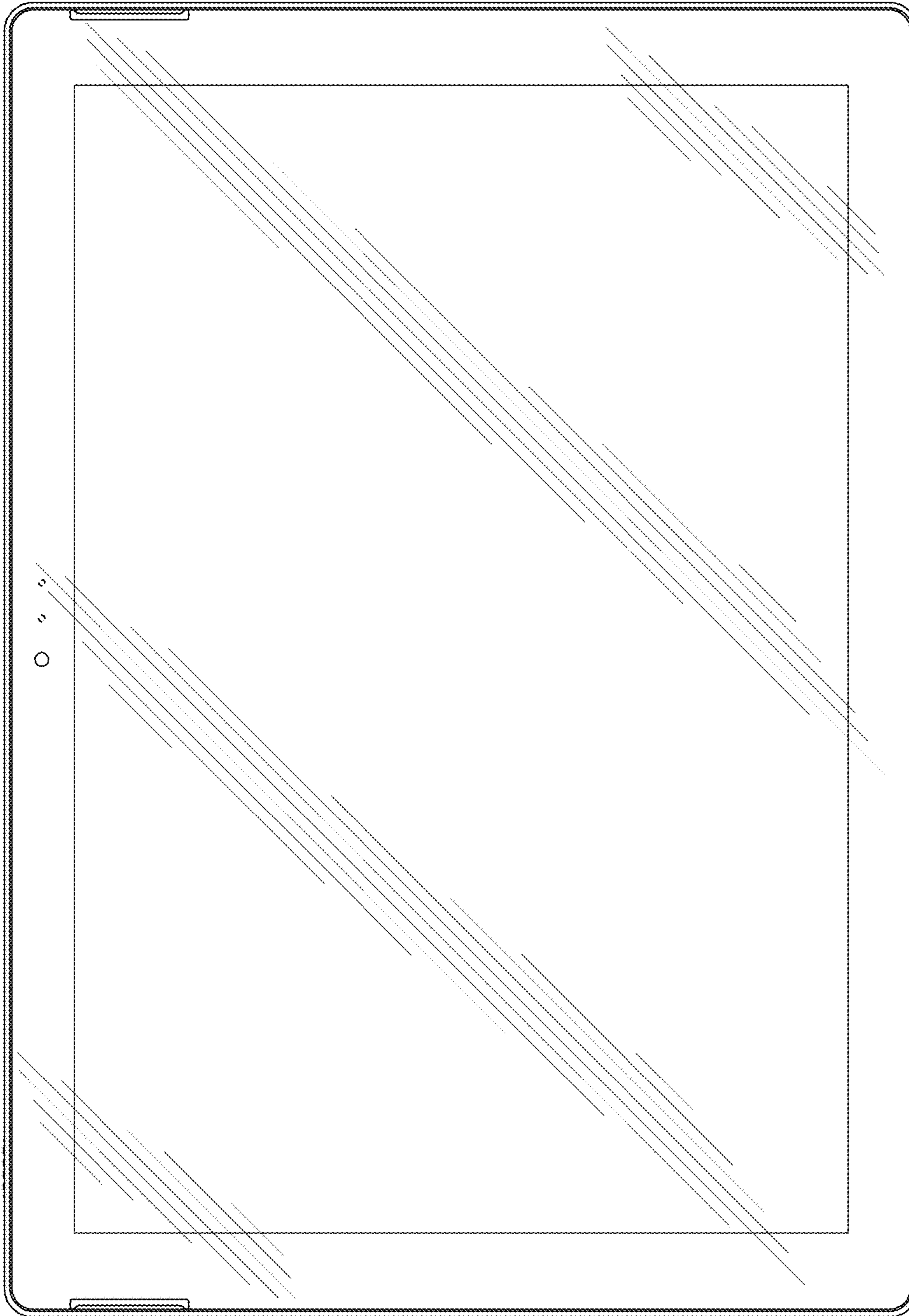


FIG. 2

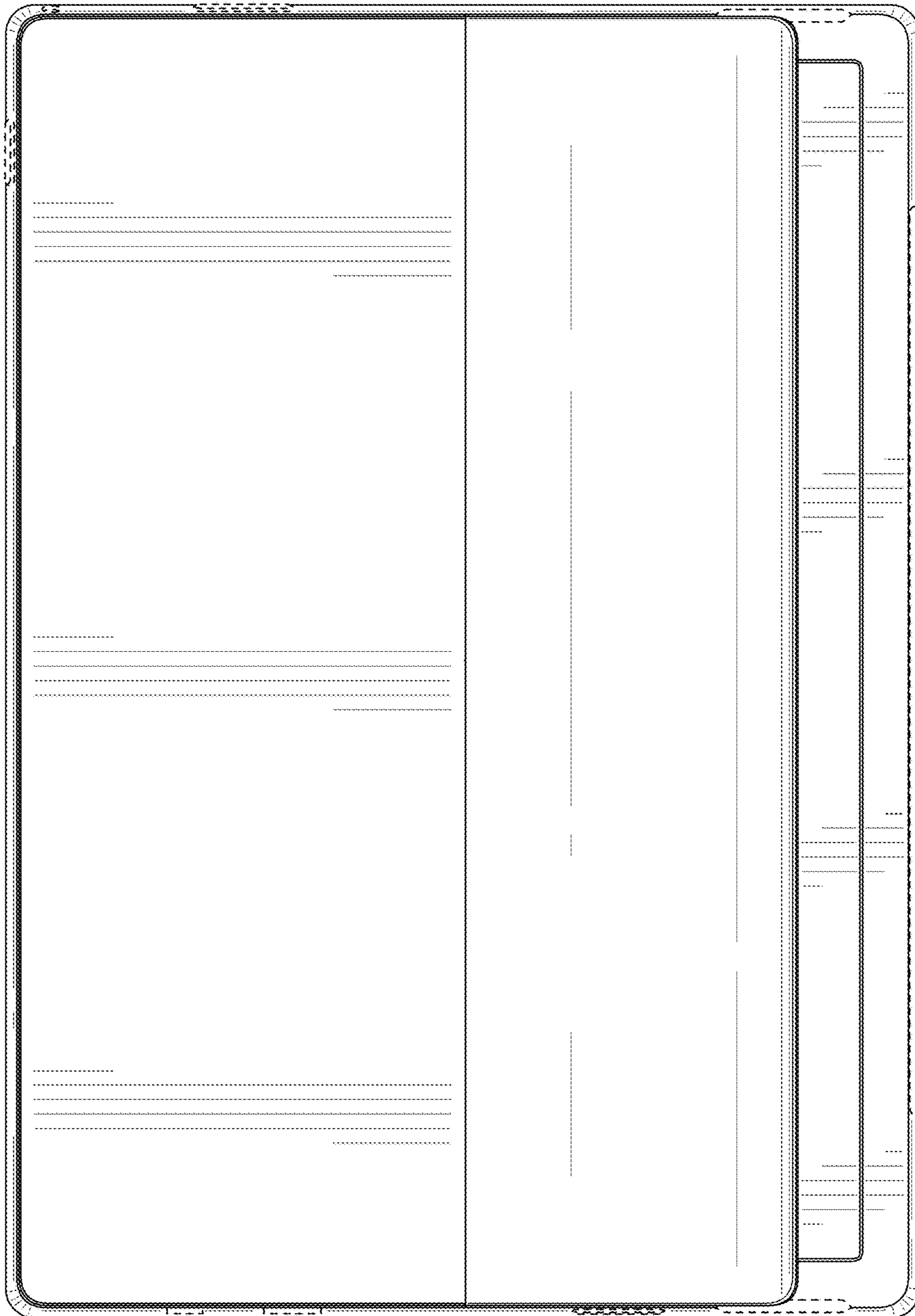


FIG. 3

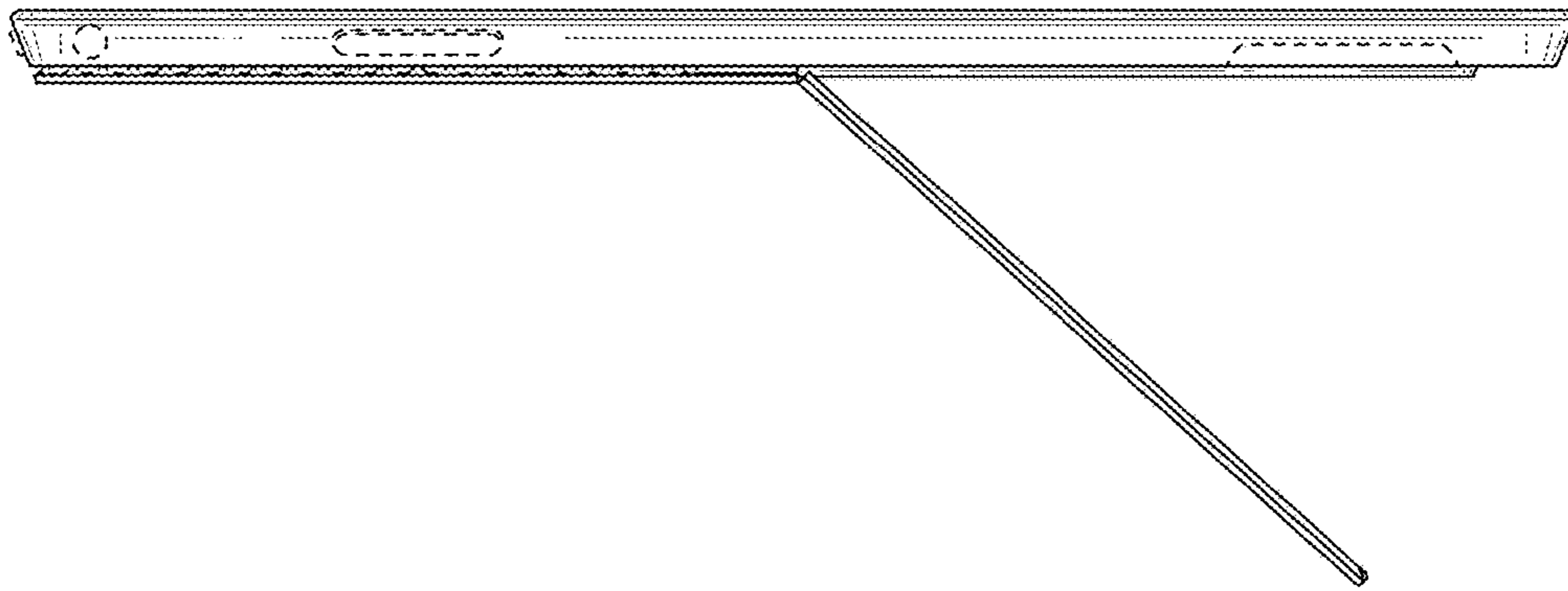


FIG. 5

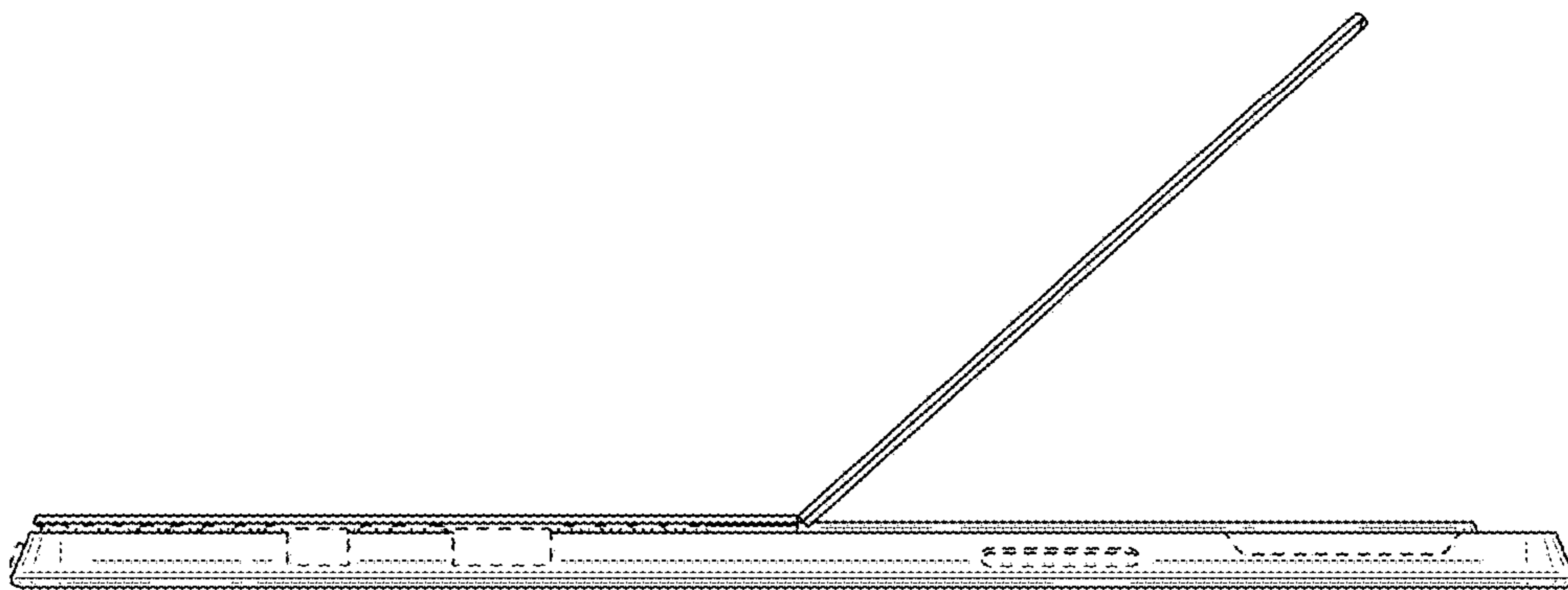


FIG. 4

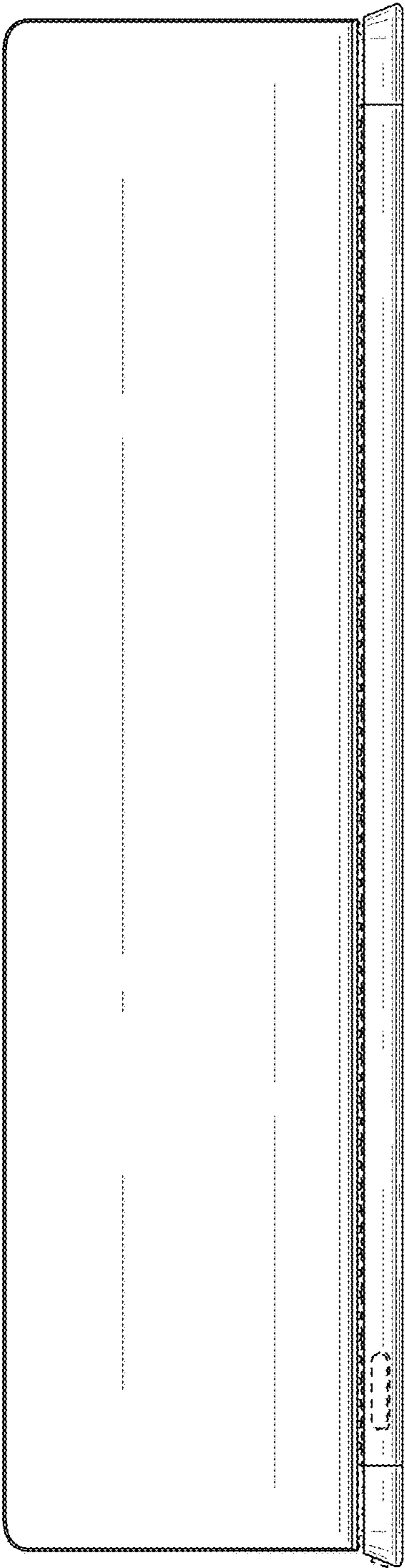


FIG. 6

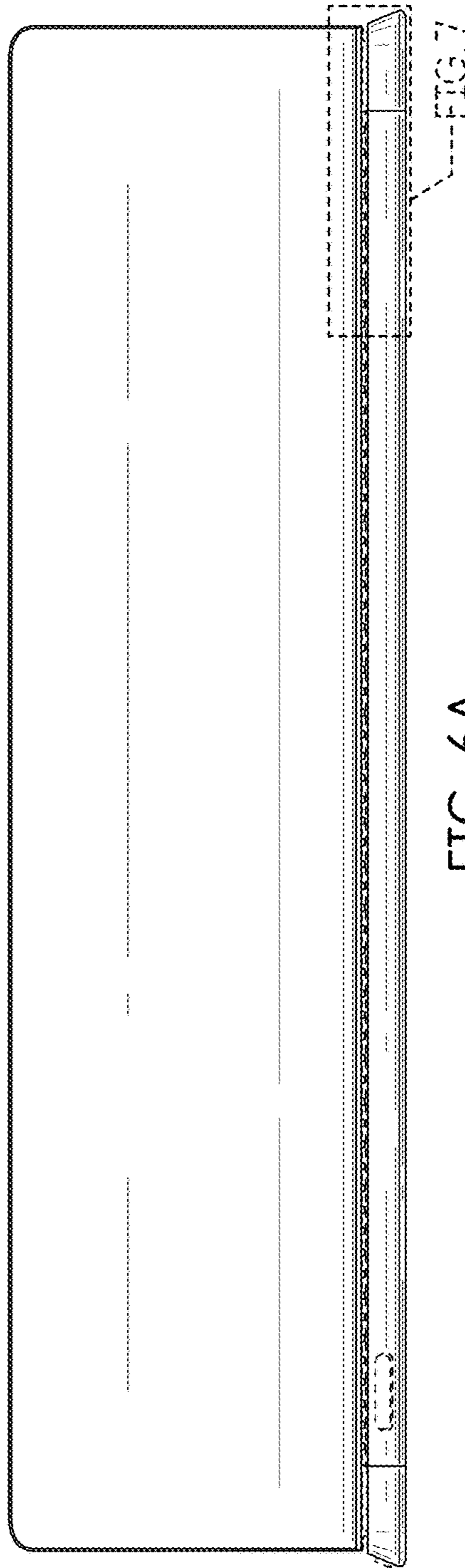


FIG. 6A

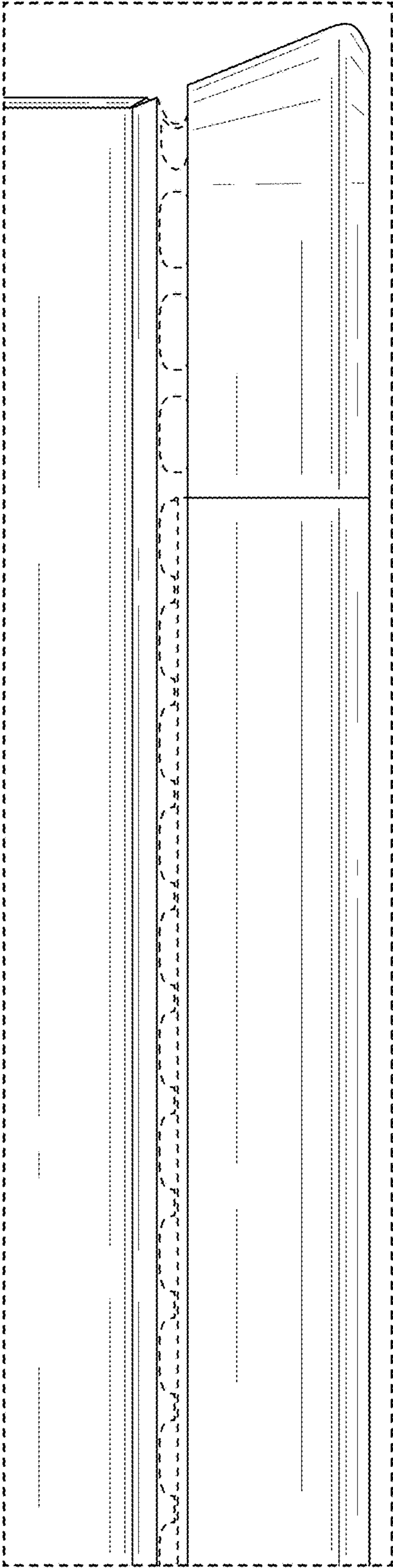


FIG. 7



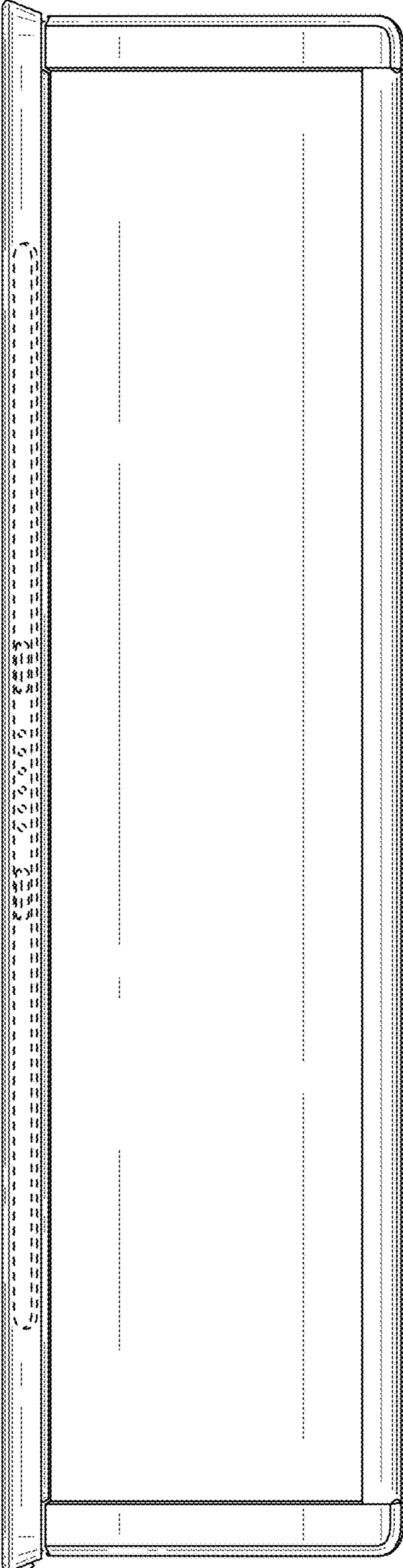


FIG. 8